



US00D721630S

(12) **United States Design Patent**
McLeod

(10) **Patent No.:** **US D721,630 S**
(45) **Date of Patent:** **** Jan. 27, 2015**

(54) **VEHICLE WHEEL**

(71) Applicant: **Ford Motor Company**, Dearborn, MI
(US)

(72) Inventor: **John McLeod**, Soumagne (BE)

(73) Assignee: **Ford Motor Company**, Dearborn, MI
(US)

(**) Term: **14 Years**

(21) Appl. No.: **29/482,114**

(22) Filed: **Feb. 14, 2014**

(51) **LOC (10) Cl.** **12-16**

(52) **U.S. Cl.**
USPC **D12/211**

(58) **Field of Classification Search**
CPC B60B 7/00; B60B 7/02; B60B 7/04;
B60B 7/01; B60B 7/06; B60B 3/02; B60B
3/04; B60B 3/06; B60B 3/10; B60B 1/00;
B60B 1/08; B60B 1/10; B60B 1/12
USPC D12/204-213
See application file for complete search history.

(56) **References Cited**

U.S. PATENT DOCUMENTS

D348,243	S	*	6/1994	Echazabal et al.	D12/211
D350,932	S	*	9/1994	Echazabel et al.	D12/211
D480,035	S	*	9/2003	Frohlich	D12/211
D493,404	S	*	7/2004	Baum	D12/211
D500,726	S	*	1/2005	Hettler	D12/211
D516,989	S	*	3/2006	Baum	D12/211
D525,932	S	*	8/2006	Hettler	D12/211
D548,162	S	*	8/2007	Baum	D12/211
D558,117	S	*	12/2007	Baum	D12/211
D584,210	S	*	1/2009	Baum	D12/211
D590,318	S	*	4/2009	Theiss	D12/211
D591,661	S	*	5/2009	Baum	D12/209
D622,201	S	*	8/2010	Zhao	D12/211
D683,687	S	*	6/2013	Alfonso	D12/211
D688,189	S	*	8/2013	Alfonso	D12/211
D702,613	S	*	4/2014	Scheinhutte	D12/211

* cited by examiner

Primary Examiner — Stacia Cadmus

(74) *Attorney, Agent, or Firm* — Damian Porcari

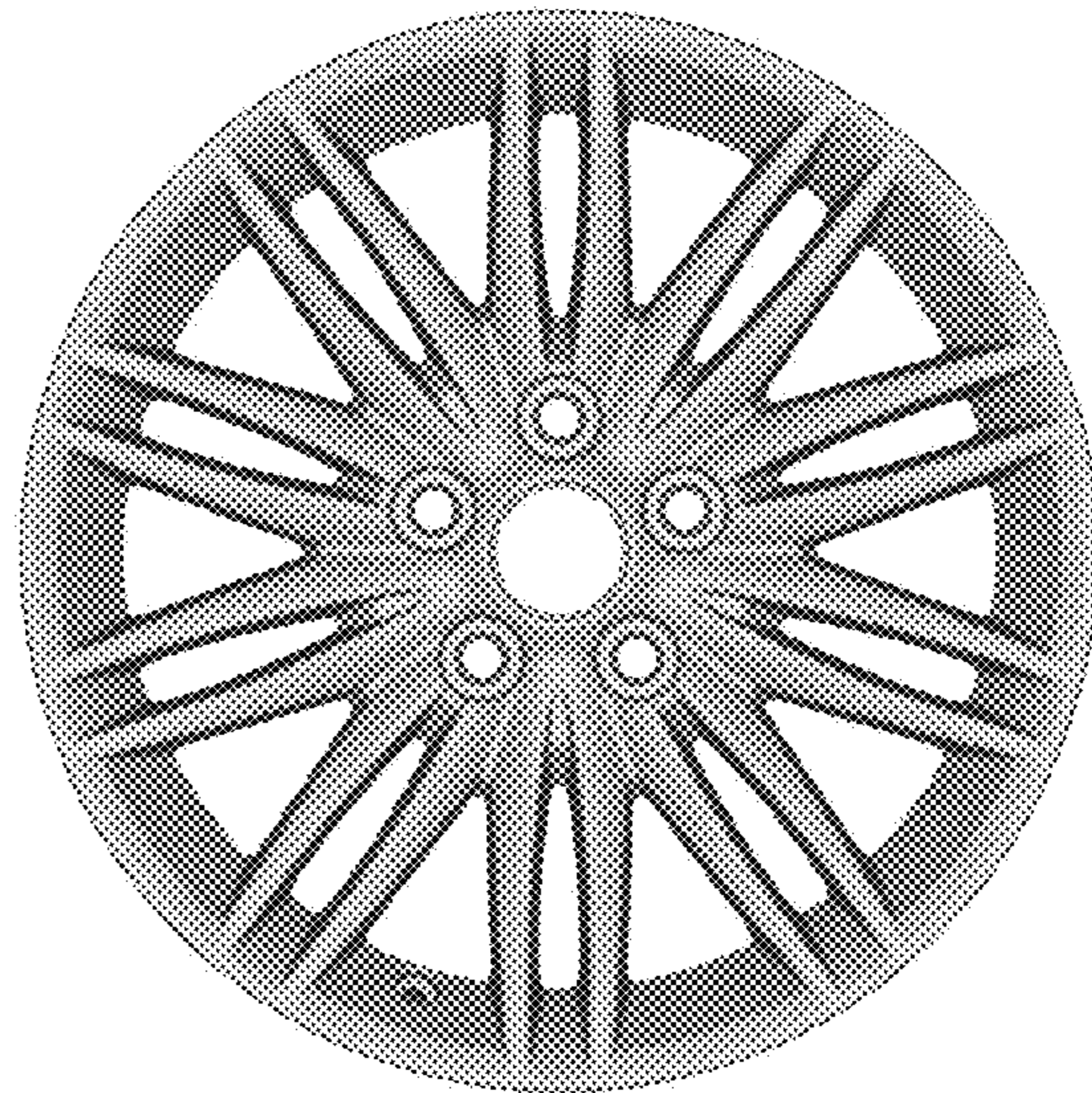
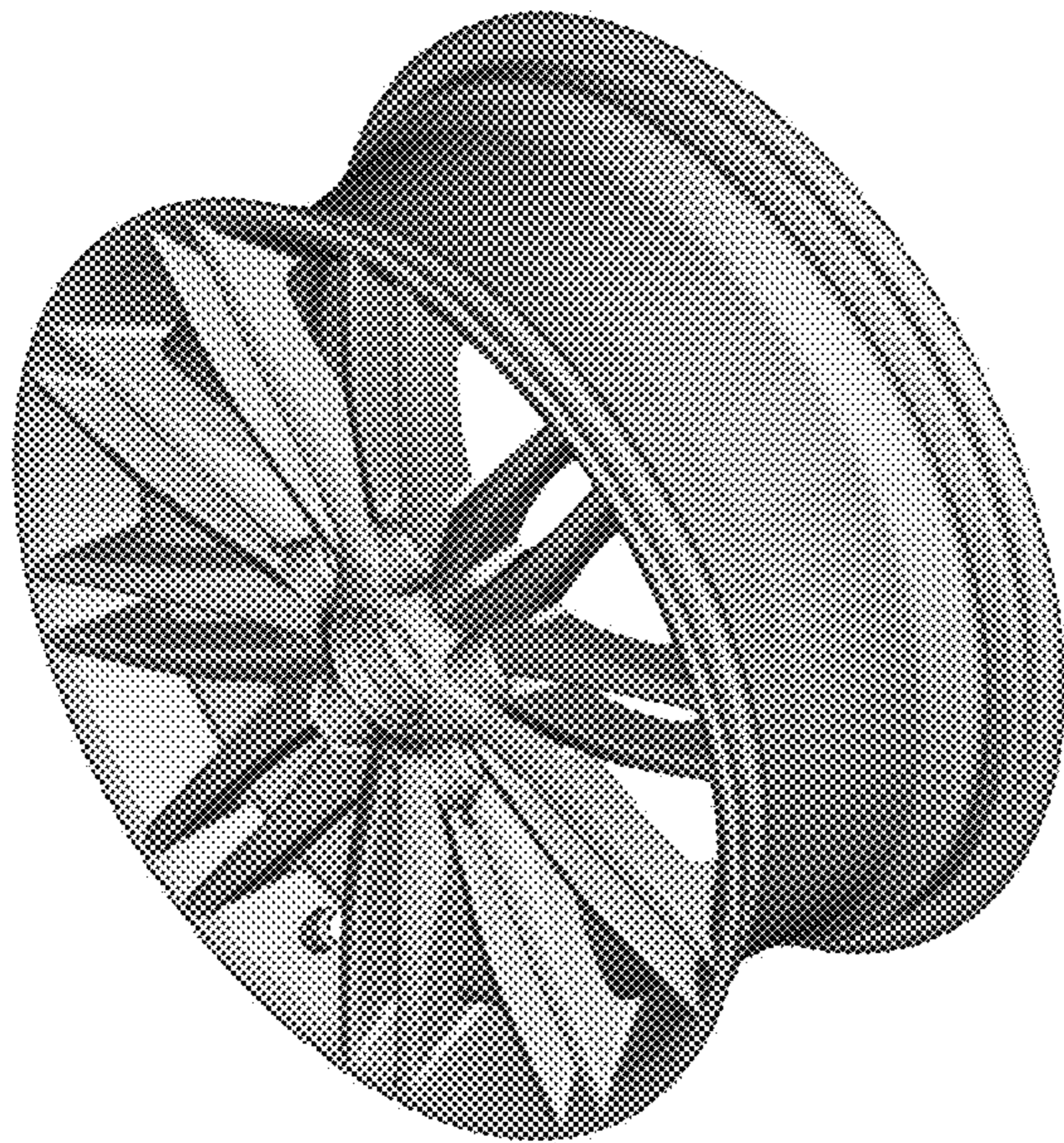
(57) **CLAIM**

The ornamental design for a vehicle wheel, as shown and described.

DESCRIPTION

FIG. 1 is a perspective view of a vehicle wheel; and, FIG. 2 is a front view thereof.

1 Claim, 2 Drawing Sheets



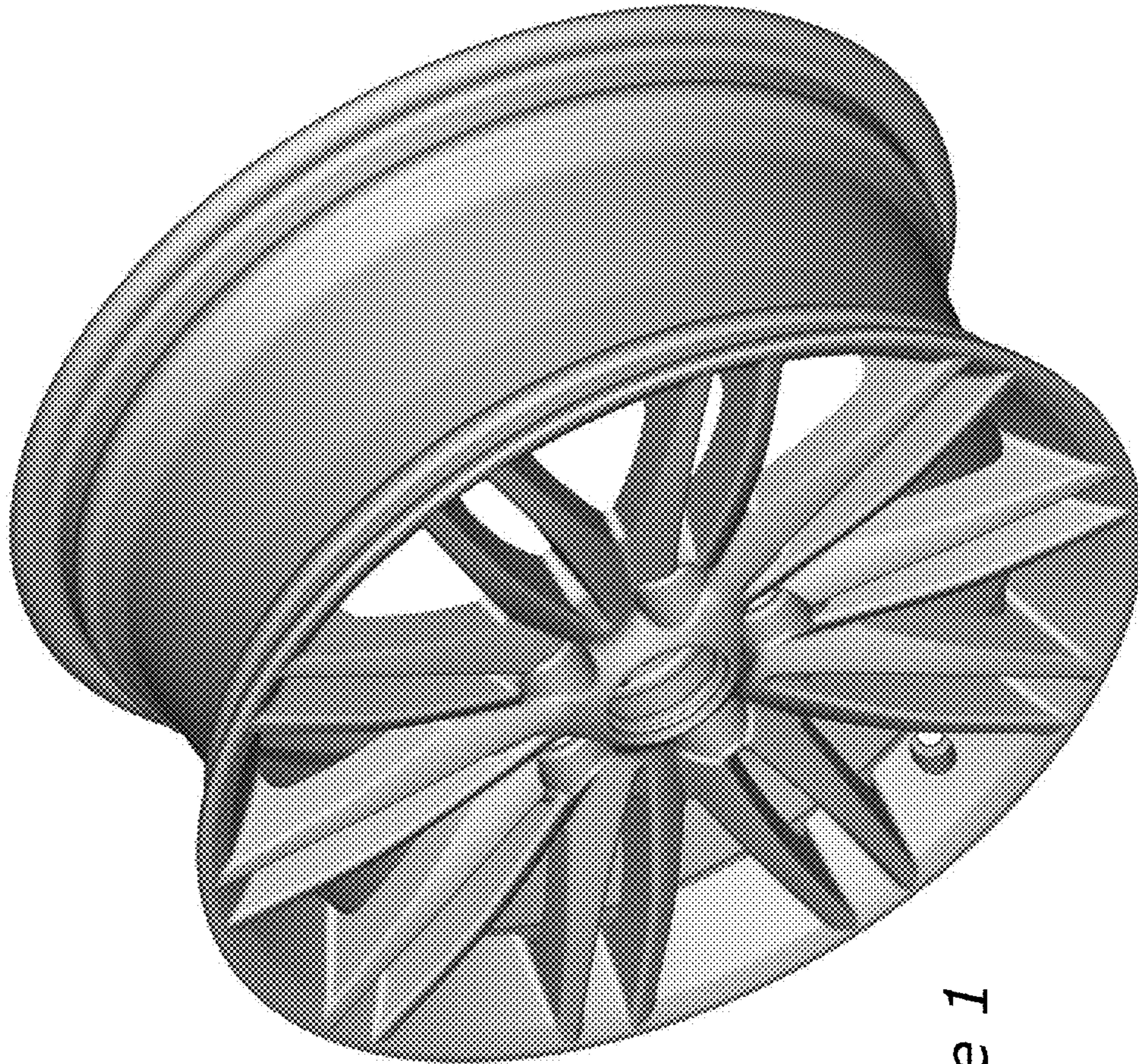


Figure 1



Figure 2