



US00D721618S

(12) **United States Design Patent**  
**Hitzinger**

(10) **Patent No.:** **US D721,618 S**

(45) **Date of Patent:** **\*\* Jan. 27, 2015**

(54) **MOTOR VEHICLE, TOY AND/OR REPLICA**

(56) **References Cited**

(71) Applicant: **Dr. Ing. h.c. F. Porsche**  
**Aktiengesellschaft, Stuttgart (DE)**  
(72) Inventor: **Alexander Hitzinger, Stuttgart (DE)**  
(73) Assignee: **Dr. Ing. h.c. F. Porsche**  
**Aktiengesellschaft, Stuttgart (DE)**

U.S. PATENT DOCUMENTS

D402,922 S	*	12/1998	Singer et al. ....	D12/92
D491,843 S	*	6/2004	Giugiaro .....	D12/92
D561,645 S	*	2/2008	Kim et al. ....	D12/92
D575,195 S	*	8/2008	Steinhauser .....	D12/88
D597,442 S	*	8/2009	Steinhauser .....	D12/88
D670,605 S	*	11/2012	Nauert .....	D12/88
D692,345 S	*	10/2013	Murray .....	D12/86
D715,690 S	*	10/2014	Perini .....	D12/88

(\*\*) Term: **14 Years**

\* cited by examiner

(21) Appl. No.: **29/483,476**

*Primary Examiner* — Melody N Brown

(22) Filed: **Feb. 28, 2014**

(74) *Attorney, Agent, or Firm* — RatnerPrestia

(30) **Foreign Application Priority Data**

(57) **CLAIM**

The ornamental design for a motor vehicle, toy and/or replica, as shown and described.

Sep. 5, 2013 (DE) ..... 40 2013 100 904

(51) **LOC (10) Cl.** ..... **12-08**

(52) **U.S. Cl.**  
USPC ..... **D12/91**

(58) **Field of Classification Search**  
CPC ..... B62D 35/00; B62D 25/00; B62D 25/06;  
B62D 33/00  
USPC ..... D12/86-88, 90-92; D21/421, 433, 434;  
296/181.1, 181.5

See application file for complete search history.

**DESCRIPTION**

FIG. 1 is a rear perspective view of a motor vehicle, toy and/or replica;

FIG. 2 is a front perspective view thereof;

FIG. 3 is front elevation view thereof;

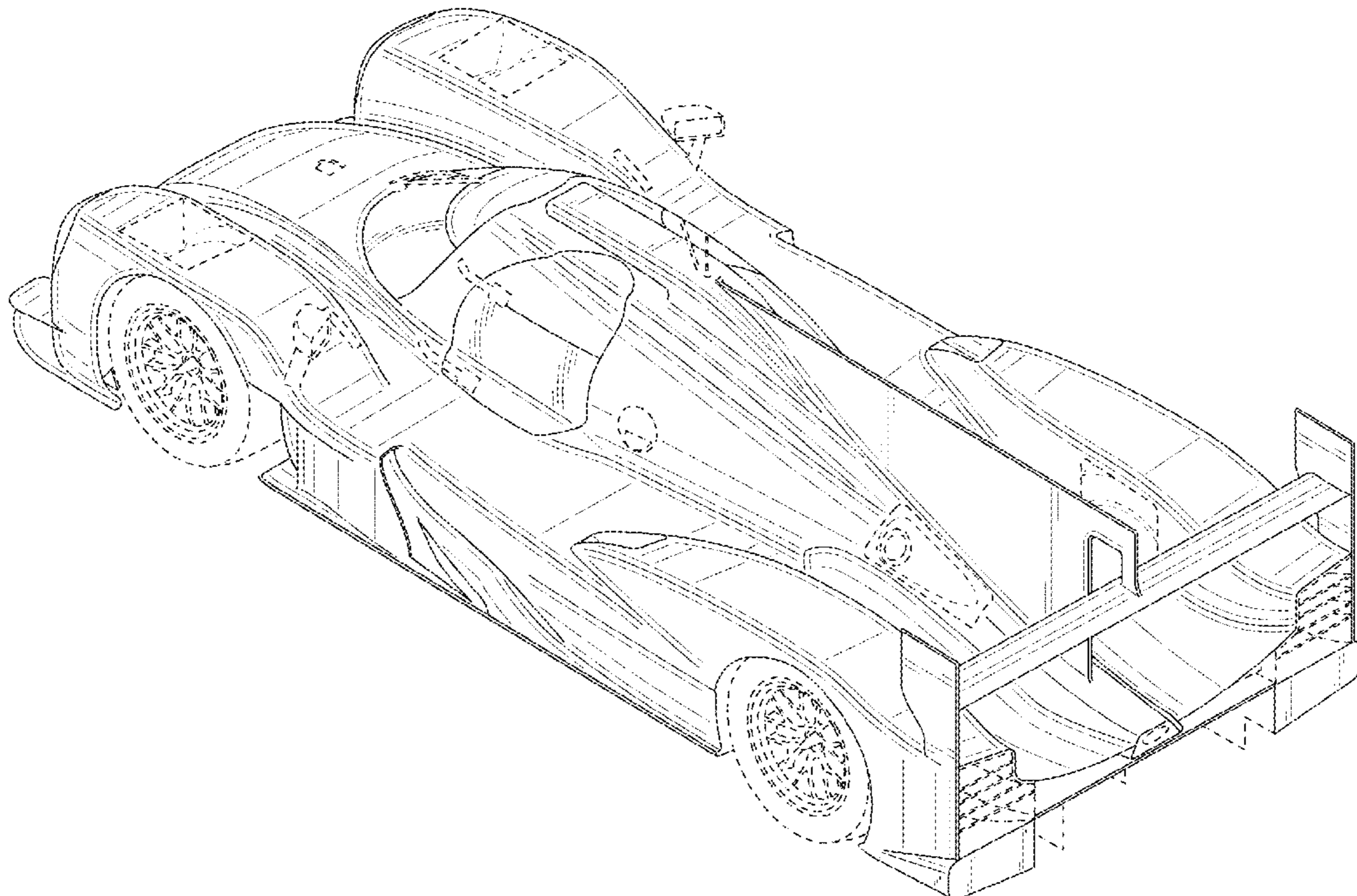
FIG. 4 is a rear elevation view thereof;

FIG. 5 is a left side elevation view thereof, the right side being substantially a mirror image; and,

FIG. 6 is a top plan view thereof.

The broken line showing of the motor vehicle, toy and/or replica is for the purpose of illustrating portions of the motor vehicle, toy and/or replica and forms no part of the claimed design.

**1 Claim, 6 Drawing Sheets**



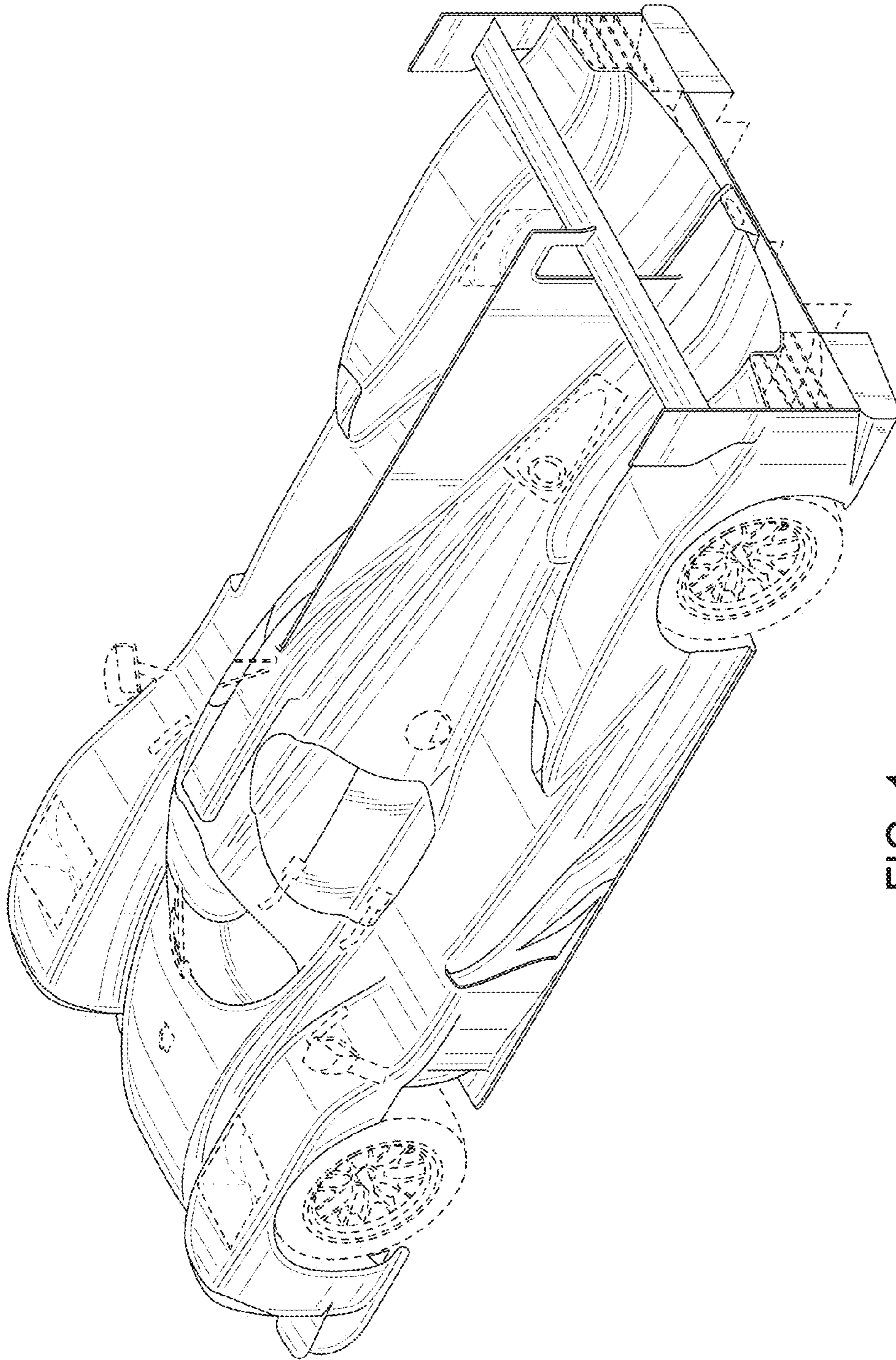


FIG. 1

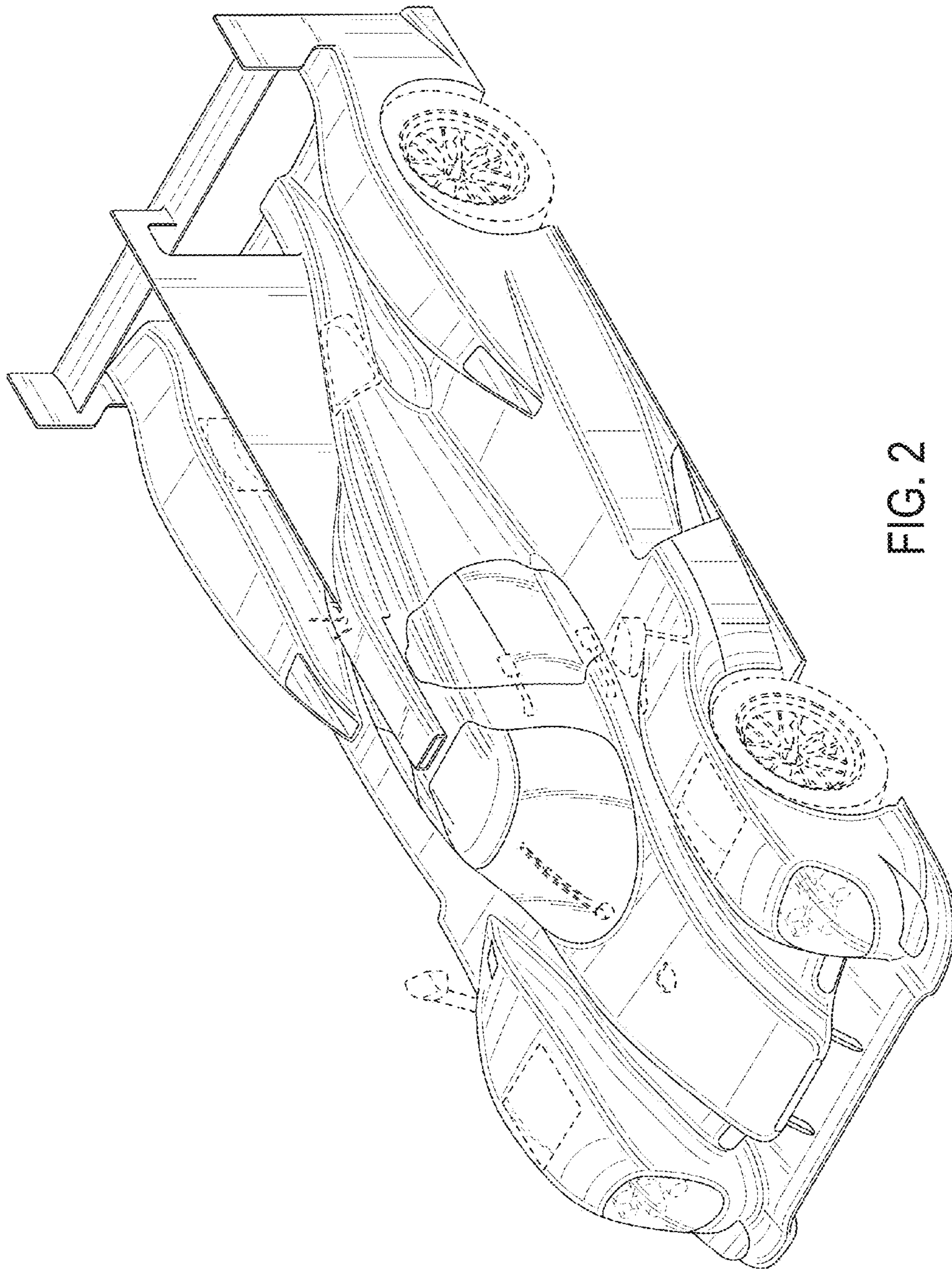


FIG. 2

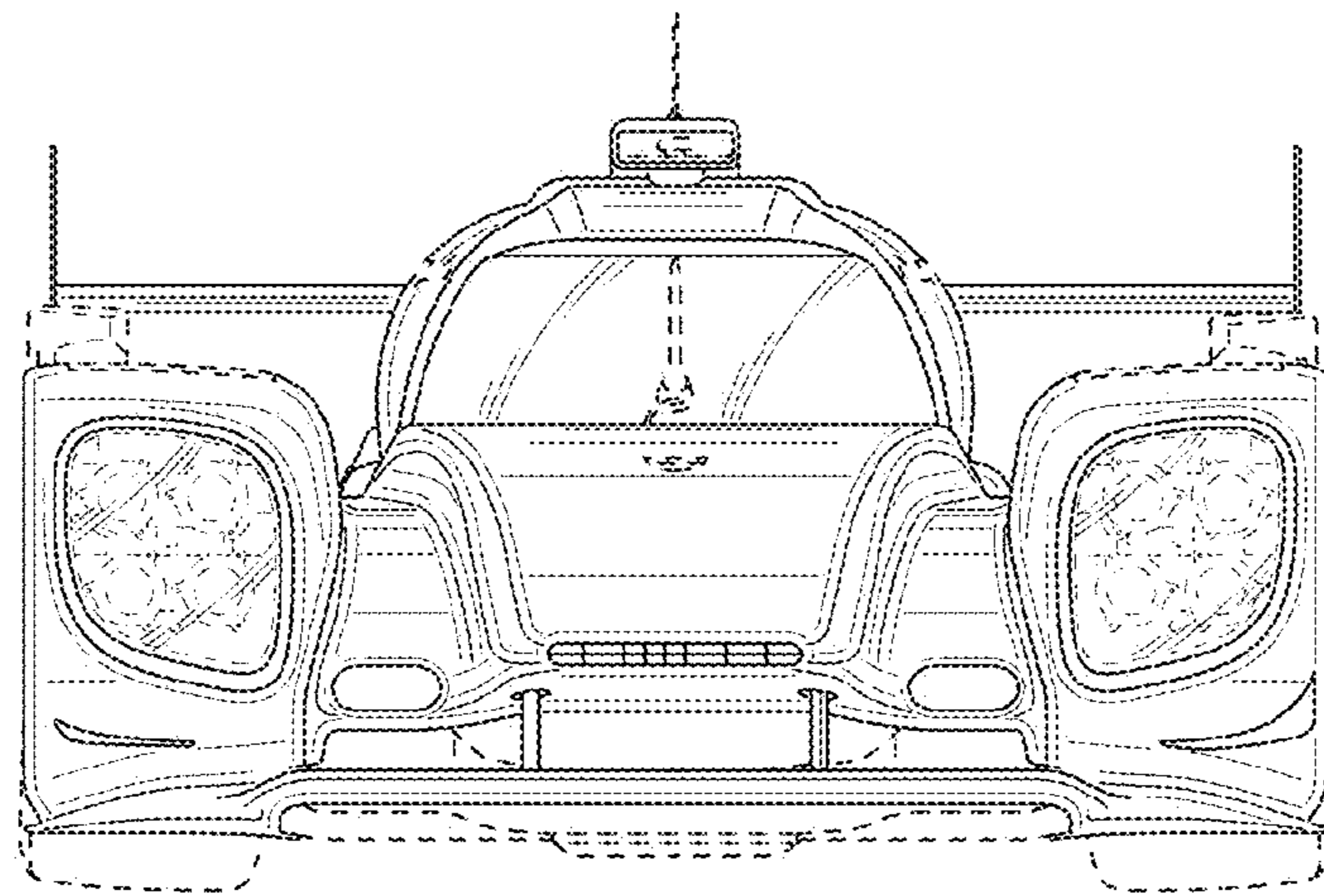


FIG. 3

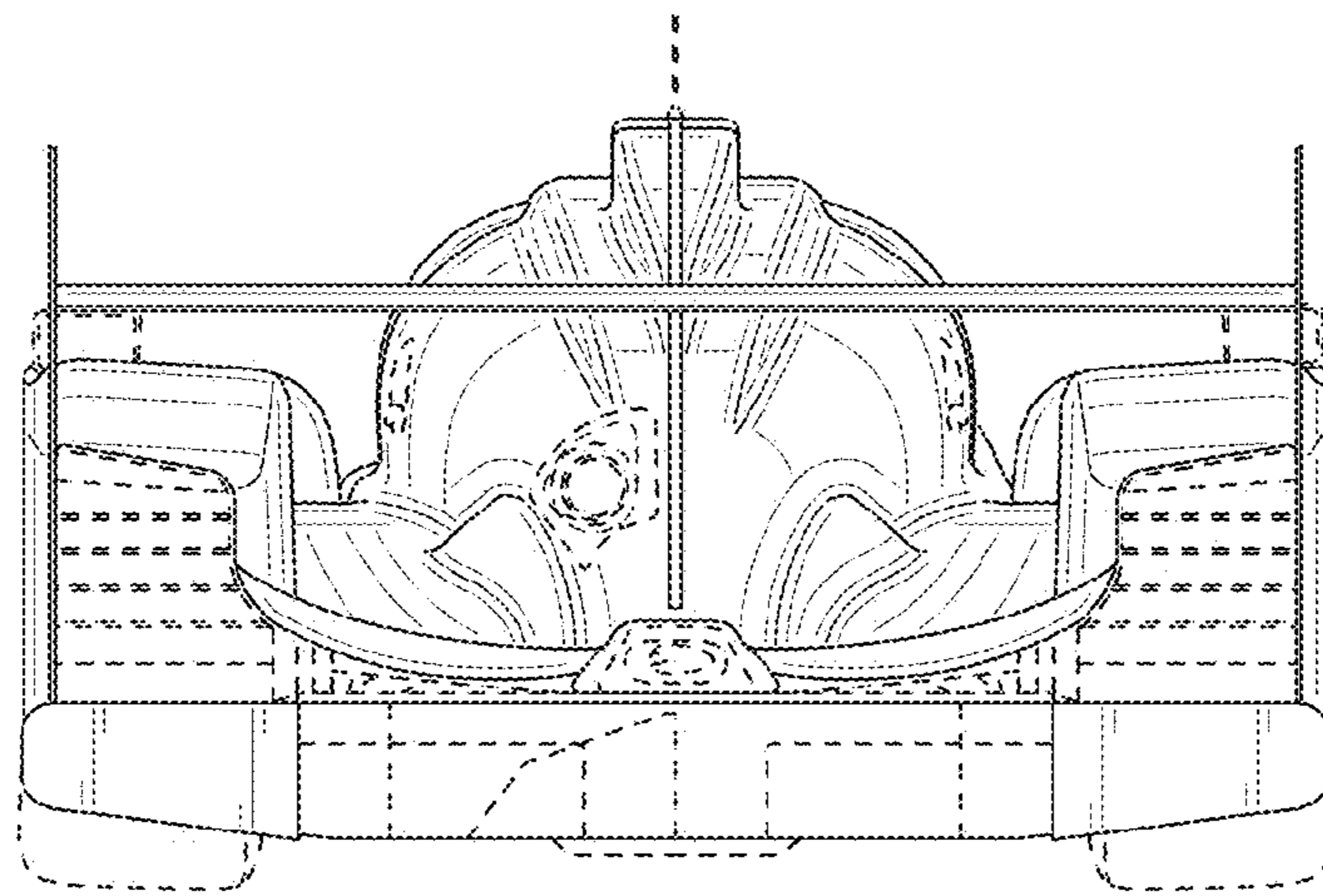


FIG. 4

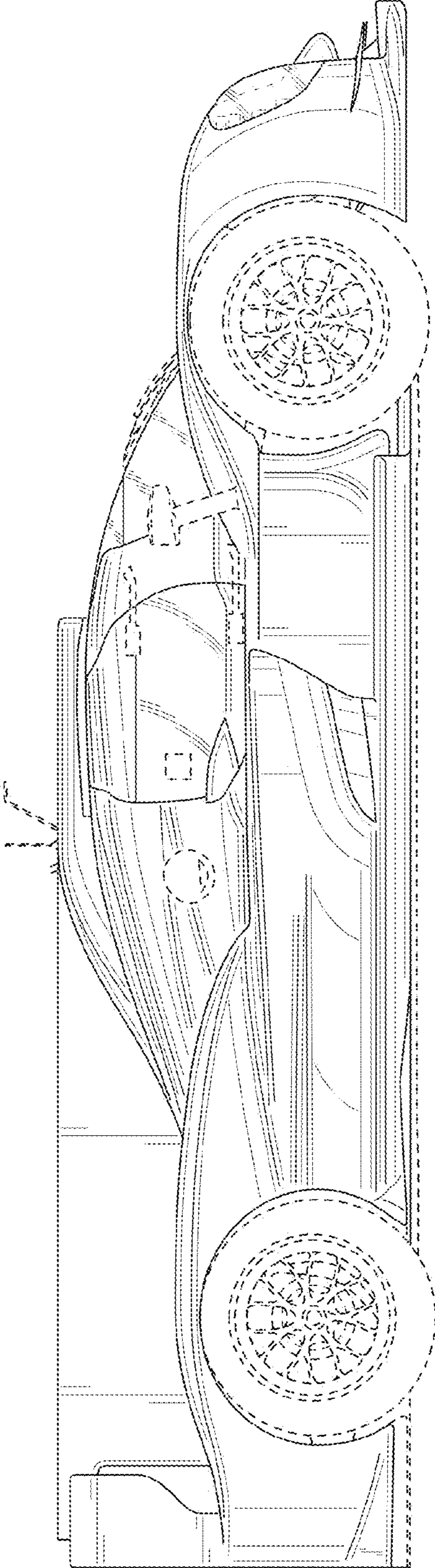


FIG. 5

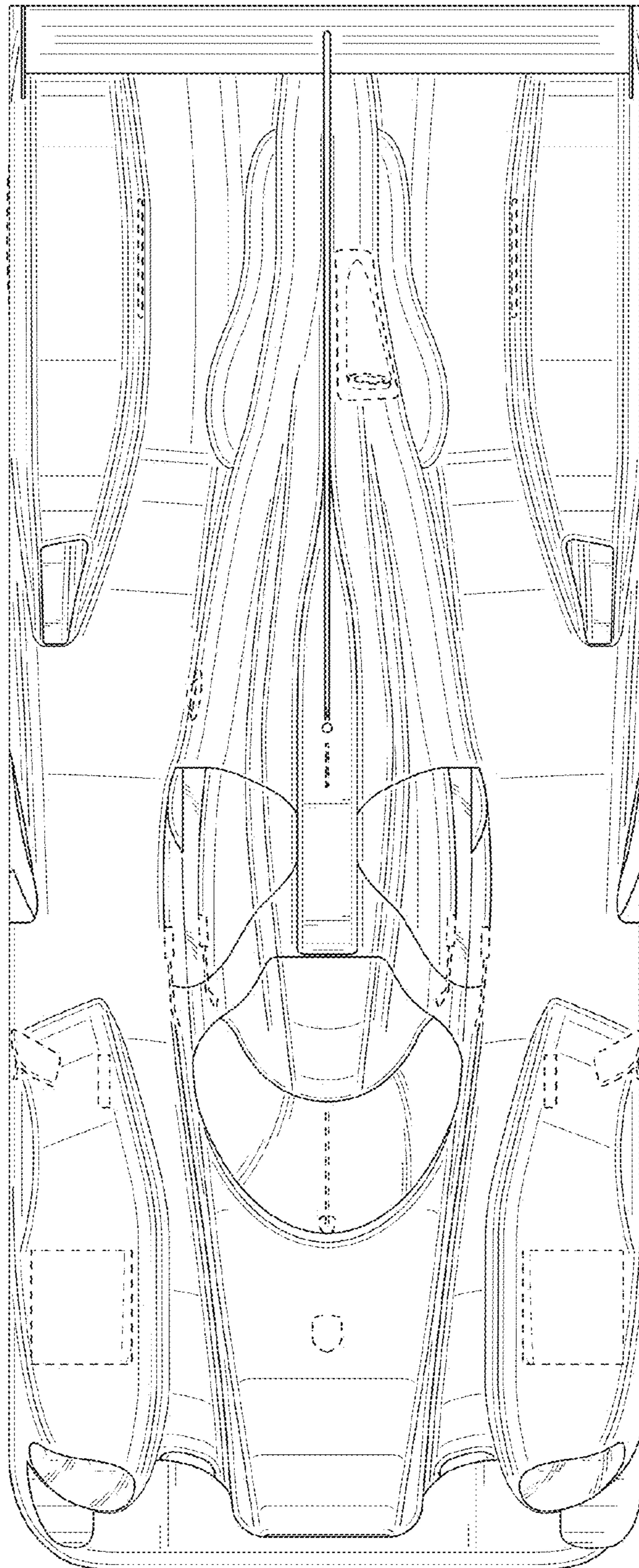


FIG. 6