



US00D721617S

(12) **United States Design Patent**  
**Ozawa et al.**

(10) **Patent No.:** **US D721,617 S**  
(45) **Date of Patent:** **\*\* Jan. 27, 2015**

- (54) **SLIDER FOR SLIDE FASTENER**
- (71) Applicant: **YKK Corporation**, Tokyo (JP)
- (72) Inventors: **Takanori Ozawa**, Toyama (JP); **Mingsi Wang**, Toyama (JP); **Yuki Chayahara**, Toyama (JP)
- (73) Assignee: **YKK Corporation** (JP)
- (\*\*) Term: **14 Years**
- (21) Appl. No.: **29/494,900**
- (22) Filed: **Jun. 25, 2014**
- (30) **Foreign Application Priority Data**

Dec. 25, 2013 (JP) ..... 2013-030244

- (51) **LOC (10) Cl.** ..... **02-07**
- (52) **U.S. Cl.**  
USPC ..... **D11/221**
- (58) **Field of Classification Search**  
CPC ..... A44B 19/00; A44B 19/02; A44B 19/04;  
A44B 19/10; A44B 19/24; A44B 19/26;  
A44B 19/30  
USPC ..... D11/200, 201, 221; 24/381-383,  
24/385-387, 414-417, 421-422, 427-431,  
24/433, 412, 424; 2/265; D2/641, 642;  
294/3.6; 223/118  
See application file for complete search history.

(56) **References Cited**  
U.S. PATENT DOCUMENTS

D114,269 S \* 4/1939 Poux ..... D11/221  
2,166,905 A \* 7/1939 Poux ..... 24/421

D245,046 S \* 7/1977 Weikal ..... D11/221  
D492,221 S \* 6/2004 Metzger ..... D11/221  
D510,054 S \* 9/2005 Metzger ..... D11/221  
D631,790 S \* 2/2011 Keyaki et al. .... D11/221  
D677,600 S \* 3/2013 Au et al. .... D11/221

FOREIGN PATENT DOCUMENTS

JP 812229 1/1991

\* cited by examiner

*Primary Examiner* — Ralf Seifert

(74) *Attorney, Agent, or Firm* — Kilpatrick Townsend & Stockton LLP

(57) **CLAIM**

The ornamental design for a slider for slide fastener, as shown and described.

**DESCRIPTION**

FIG. 1 is a perspective view of the front, bottom and right side of a slider for slide fastener showing our new design;  
FIG. 2 is a front view thereof;  
FIG. 3 is a rear view thereof;  
FIG. 4 is a left side view thereof;  
FIG. 5 is a right side view thereof;  
FIG. 6 is a top plan view thereof;  
FIG. 7 is a bottom view thereof;  
FIG. 8 is a front view thereof, where a pull-tab is attached; and,  
FIG. 9 is a perspective view thereof, where the pull-tab is attached.  
The broken lines shown are included for the purpose of illustrating the unclaimed portions of a slider for slide fastener and form no part of the claimed design.

**1 Claim, 6 Drawing Sheets**

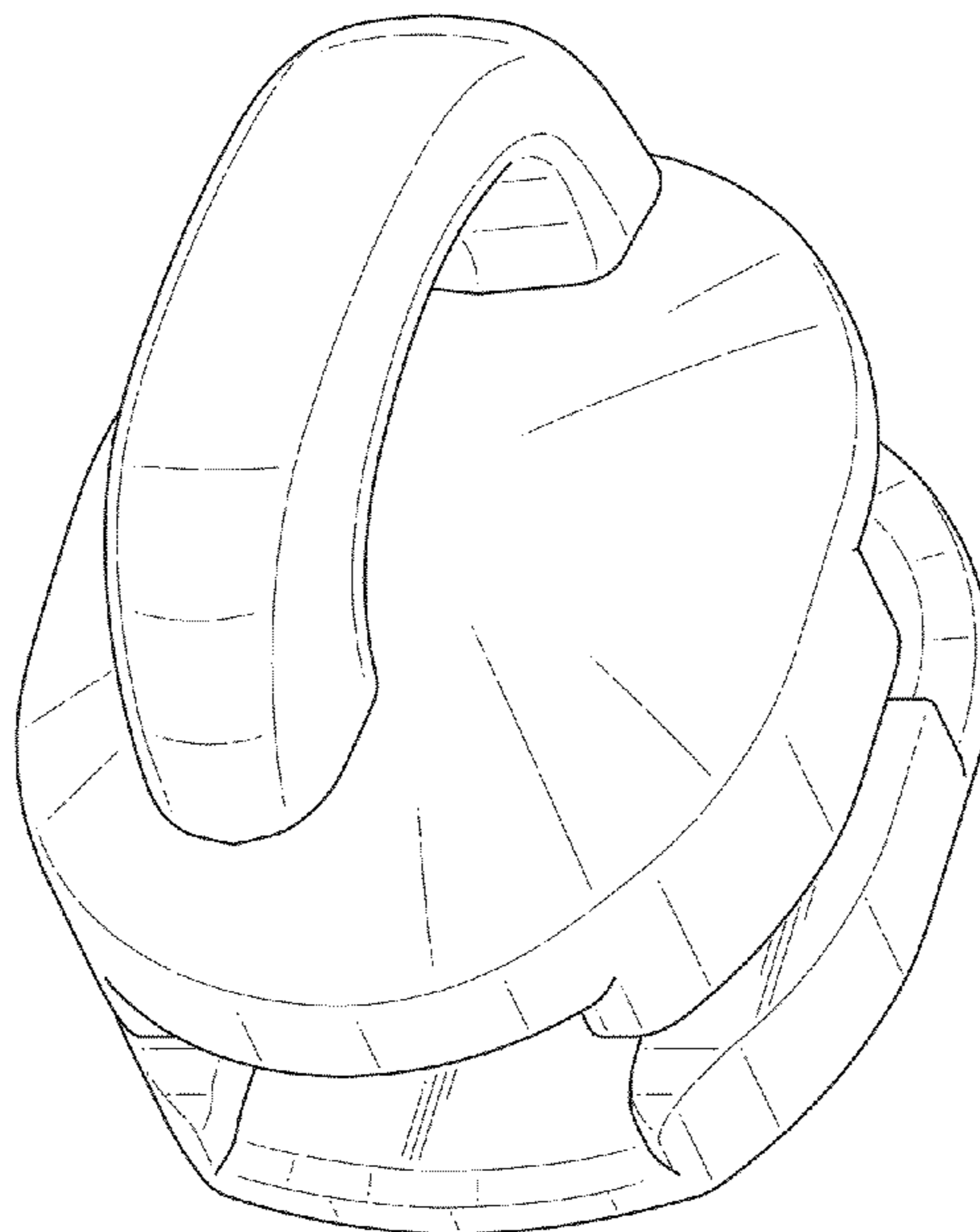


Fig. 1

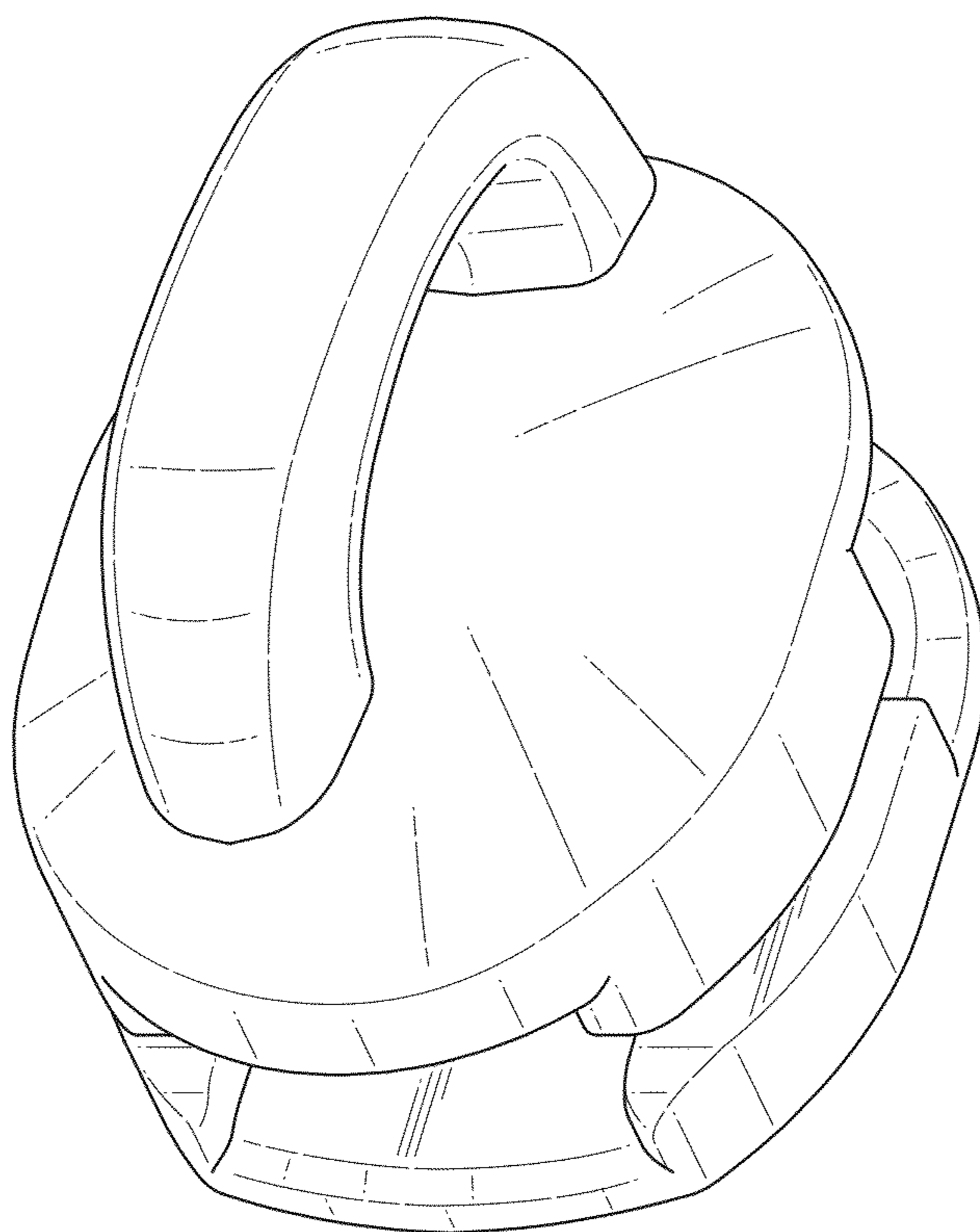


Fig. 2

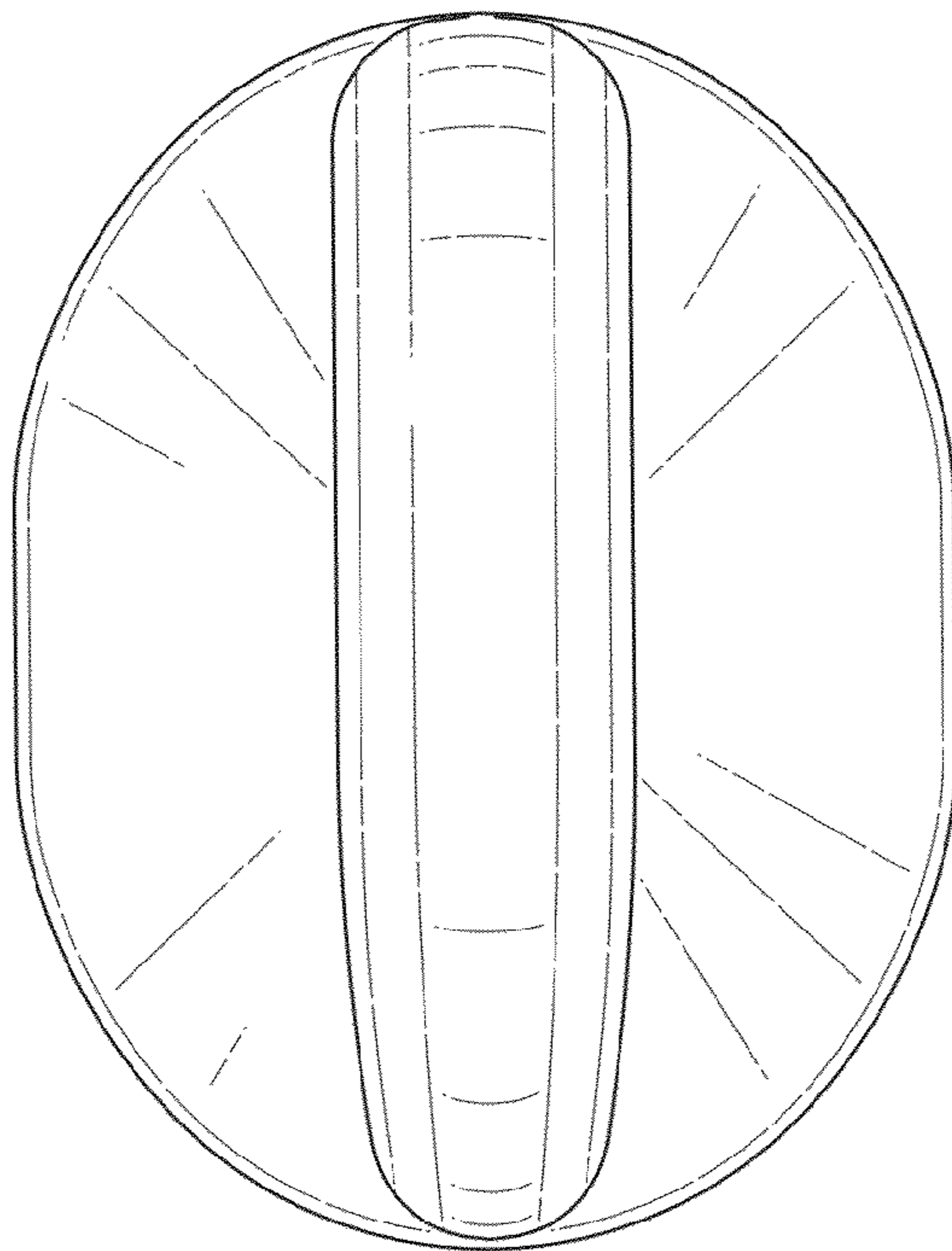


Fig. 3

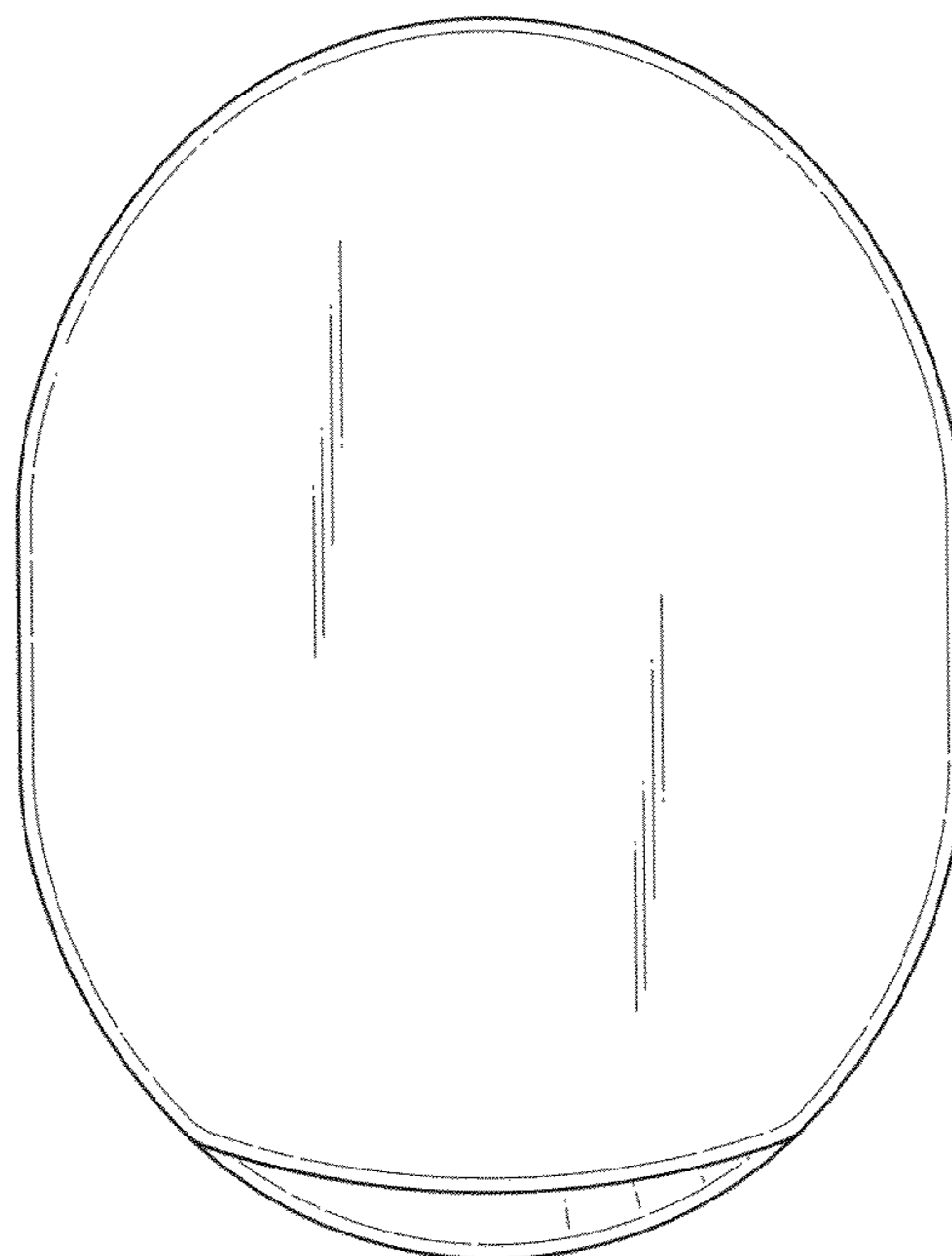


Fig. 4

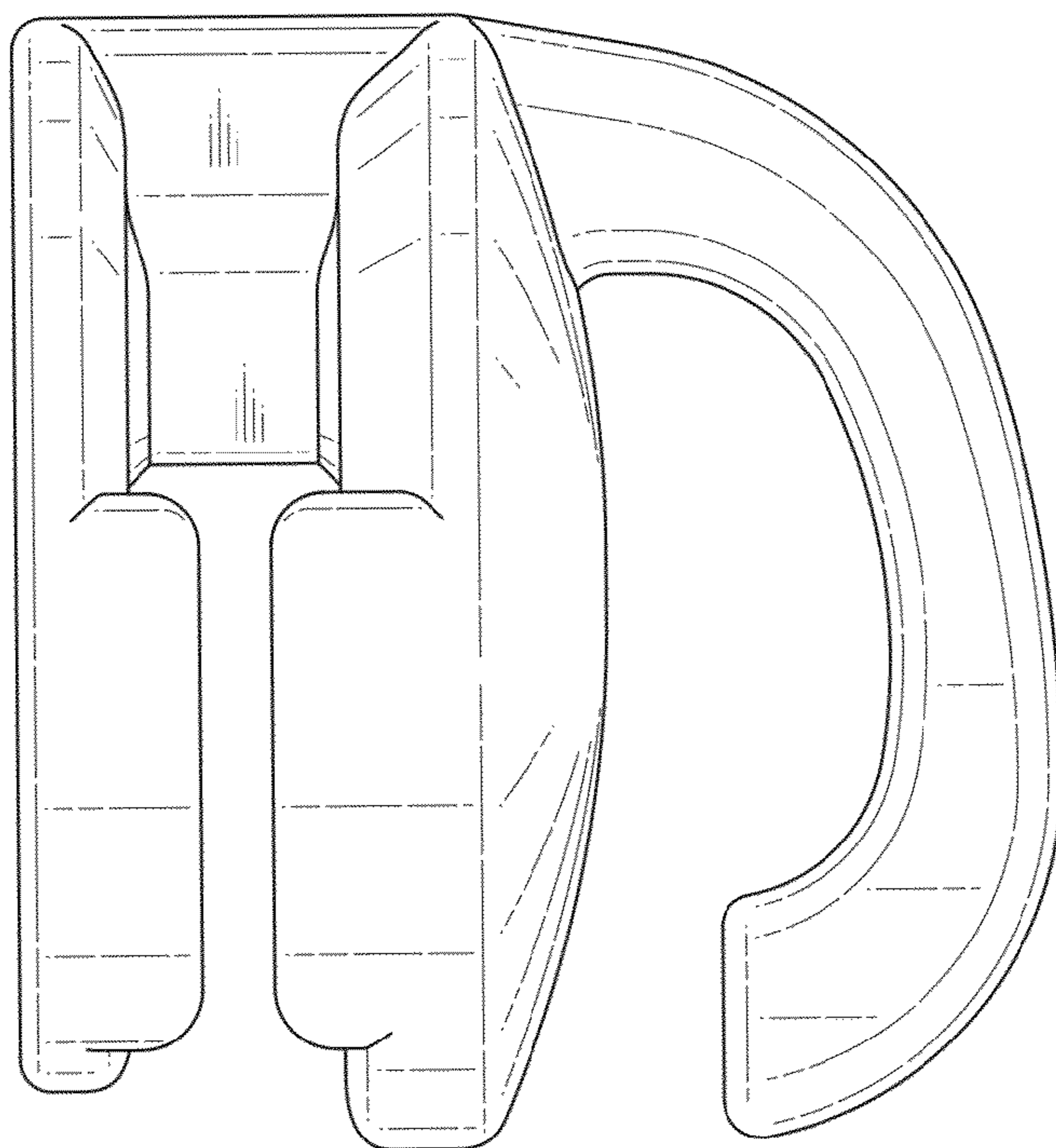


Fig. 5

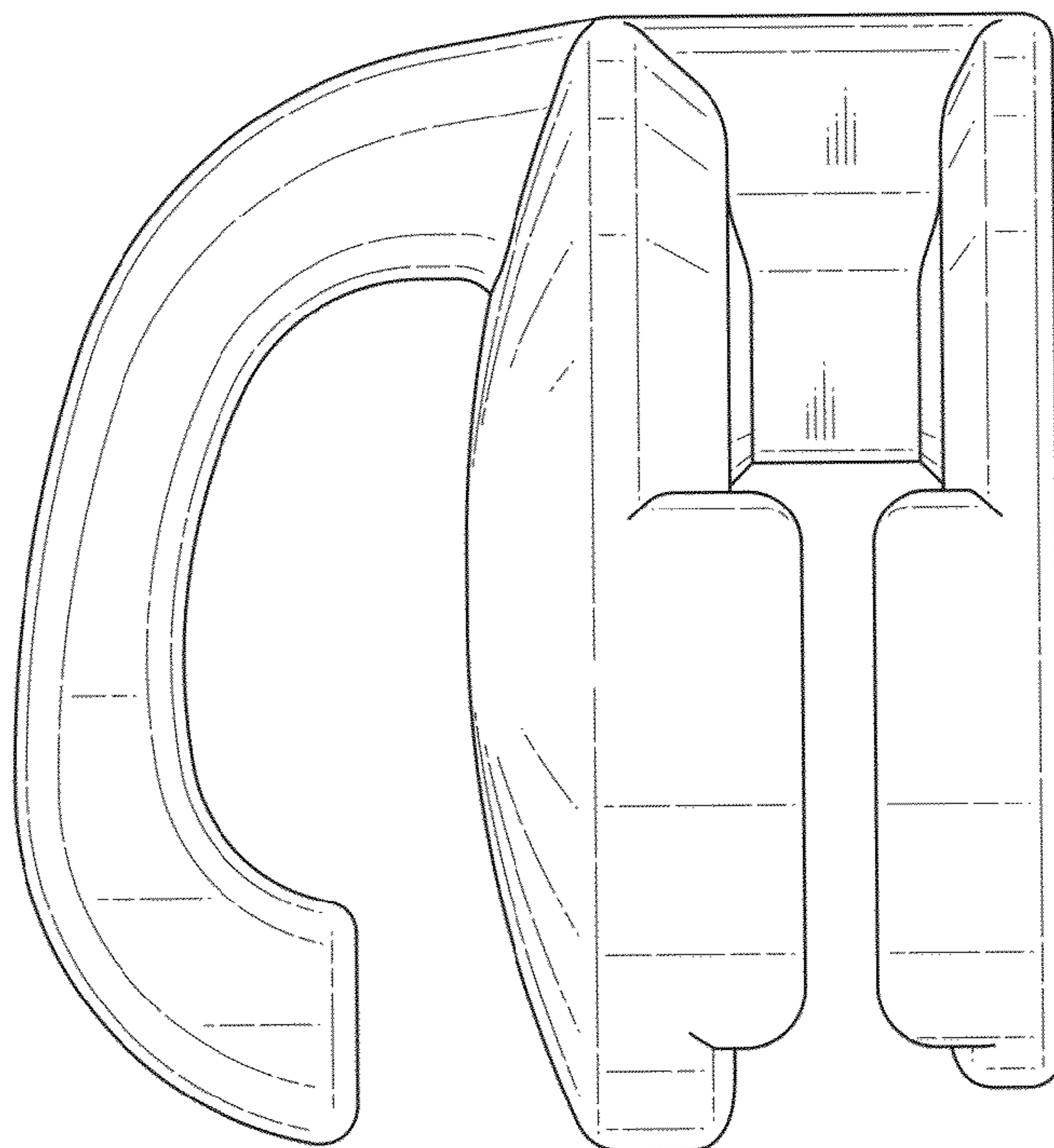




Fig. 6

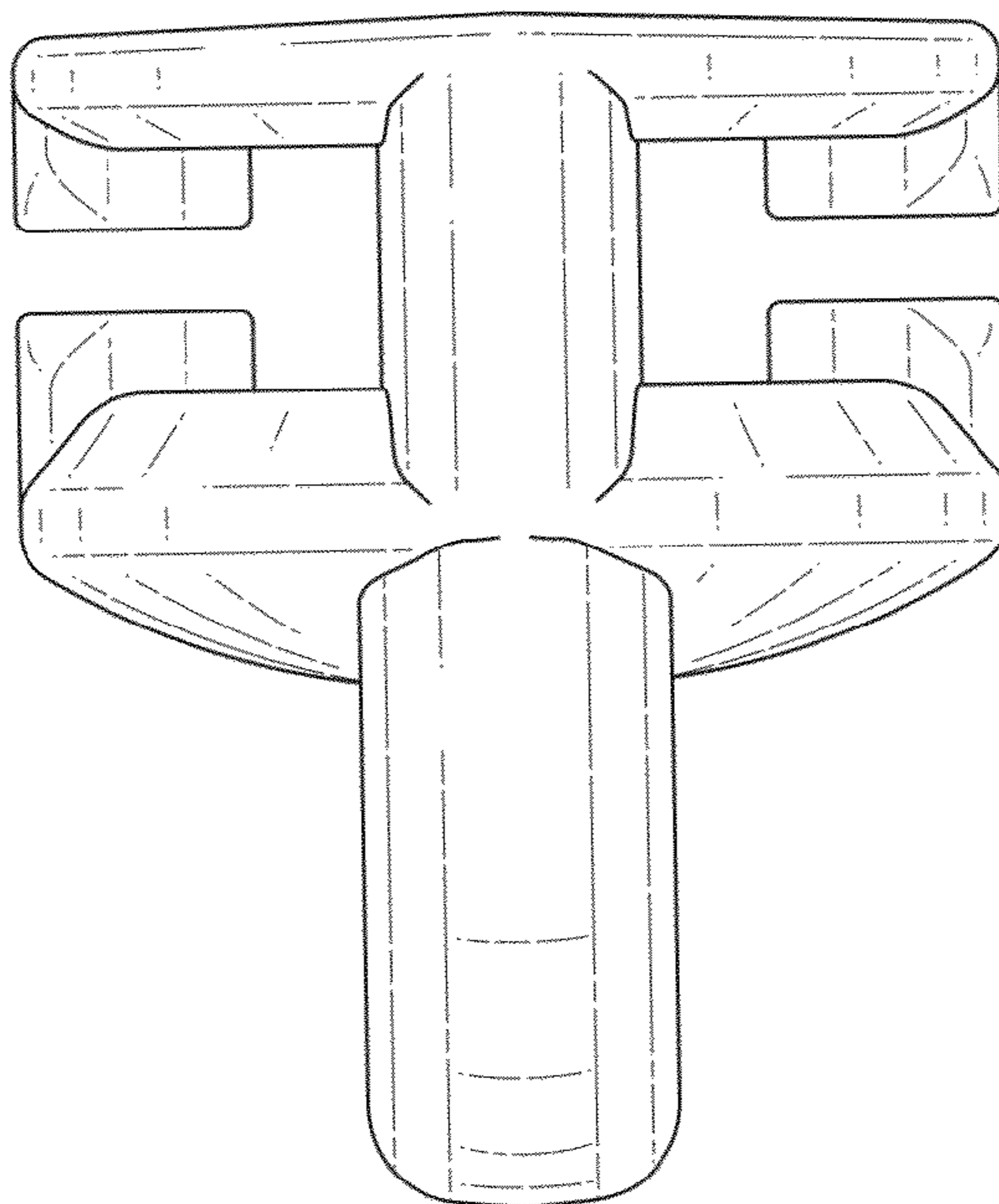


Fig. 7

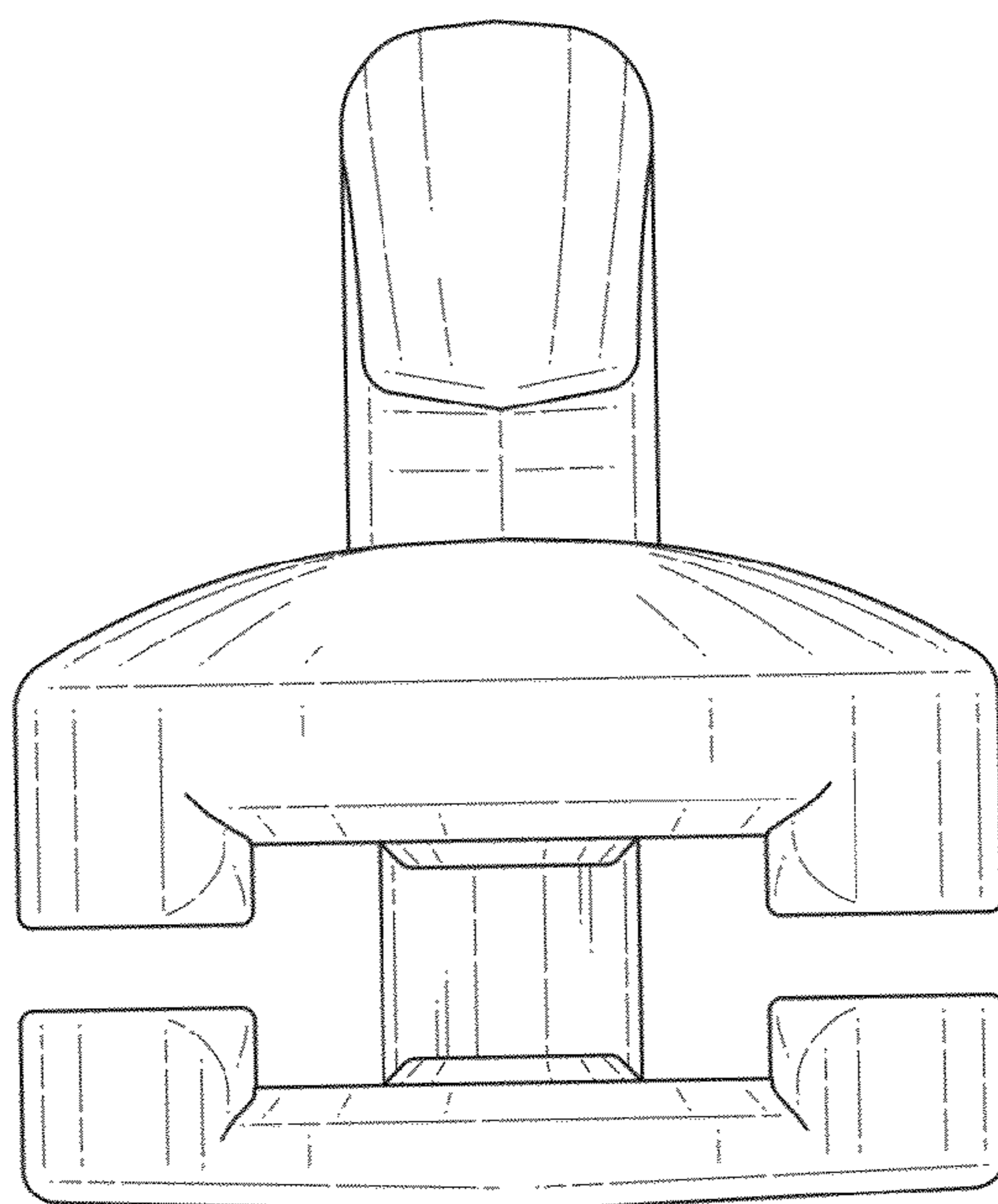


Fig. 8

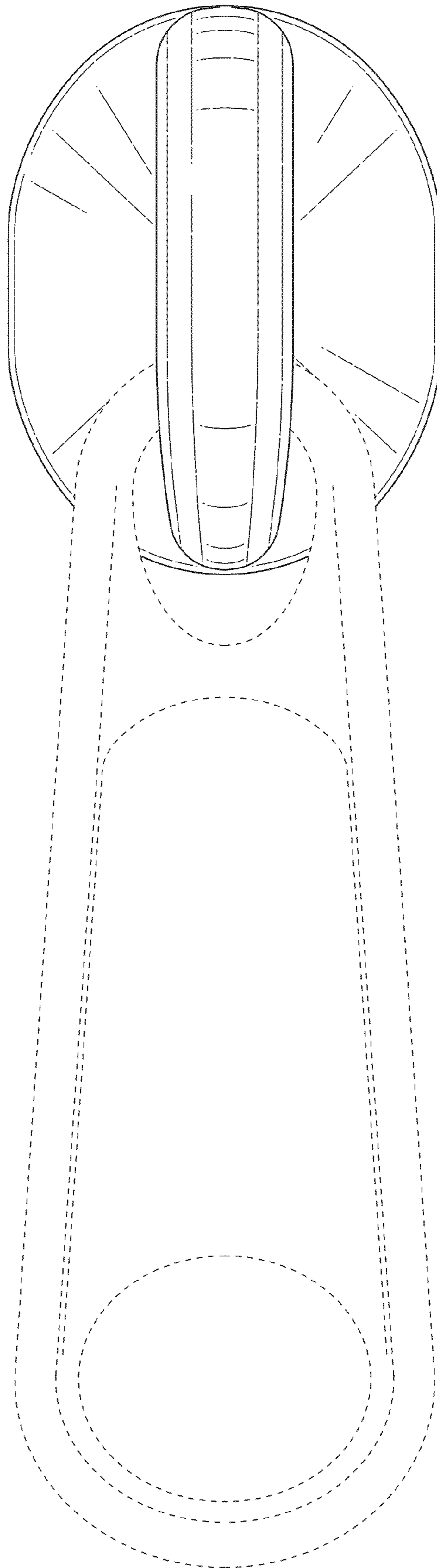


Fig. 9

