



US00D721616S

(12) **United States Design Patent**
Yamashita

(10) **Patent No.:** **US D721,616 S**
(45) **Date of Patent:** **** Jan. 27, 2015**

(54) **SLIDER FOR SLIDE FASTENER**
(71) Applicant: **YKK Corporation**, Tokyo (JP)
(72) Inventor: **Yuichi Yamashita**, Toyama (JP)
(73) Assignee: **YKK Corporation** (JP)

(**) Term: **14 Years**
(21) Appl. No.: **29/488,743**

(22) Filed: **Apr. 23, 2014**

(30) **Foreign Application Priority Data**

Oct. 24, 2013 (JP) 2013-024727

(51) **LOC (10) Cl.** **02-07**

(52) **U.S. Cl.**
USPC **D11/221**

(58) **Field of Classification Search**
CPC A44B 19/00; A44B 19/02; A44B 19/04;
A44B 19/10; A44B 19/24; A44B 19/26;
A44B 19/30
USPC D11/200, 201, 221; 24/381–383,
24/385–387, 414–417, 421–422, 427–431,
24/433, 412, 424; 2/265; D2/641, 642;
294/3.6; 223/118
See application file for complete search history.

(56) **References Cited**

U.S. PATENT DOCUMENTS

D558,091 S * 12/2007 Cossutti D11/221
D629,332 S * 12/2010 Miyazaki et al. D11/221
D629,333 S * 12/2010 Miyazaki et al. D11/221

D643,333 S * 8/2011 Iwase D11/221
D643,336 S * 8/2011 Di Girolami et al. D11/221
D643,779 S * 8/2011 Di Girolami et al. D11/221
D651,939 S 1/2012 Keyaki et al.
D655,645 S * 3/2012 Gut D11/221
D705,124 S * 5/2014 Wang D11/221

* cited by examiner

Primary Examiner — Ralf Seifert

(74) *Attorney, Agent, or Firm* — Kilpatrick Townsend & Stockton LLP

(57) **CLAIM**

The ornamental design for a slider for slide fastener, as shown and described.

DESCRIPTION

FIG. 1 is a perspective view of the front, top and right side of a slider for slide fastener showing my new design;
FIG. 2 is a perspective view of the front, bottom and left side thereof;
FIG. 3 is a front view thereof;
FIG. 4 is a rear view thereof;
FIG. 5 is a right side view thereof, the left side view being mirror image thereof;
FIG. 6 is a top plan view thereof;
FIG. 7 is a bottom view thereof; and,
FIG. 8 is a reference view of usage.
The dash-dot line defines the boundary of the claimed design and forms no part of the claimed design. The evenly spaced broken line is for the purpose of illustrating the unclaimed portions of the slider for slide fastener and forms no part of the claimed design.

1 Claim, 8 Drawing Sheets

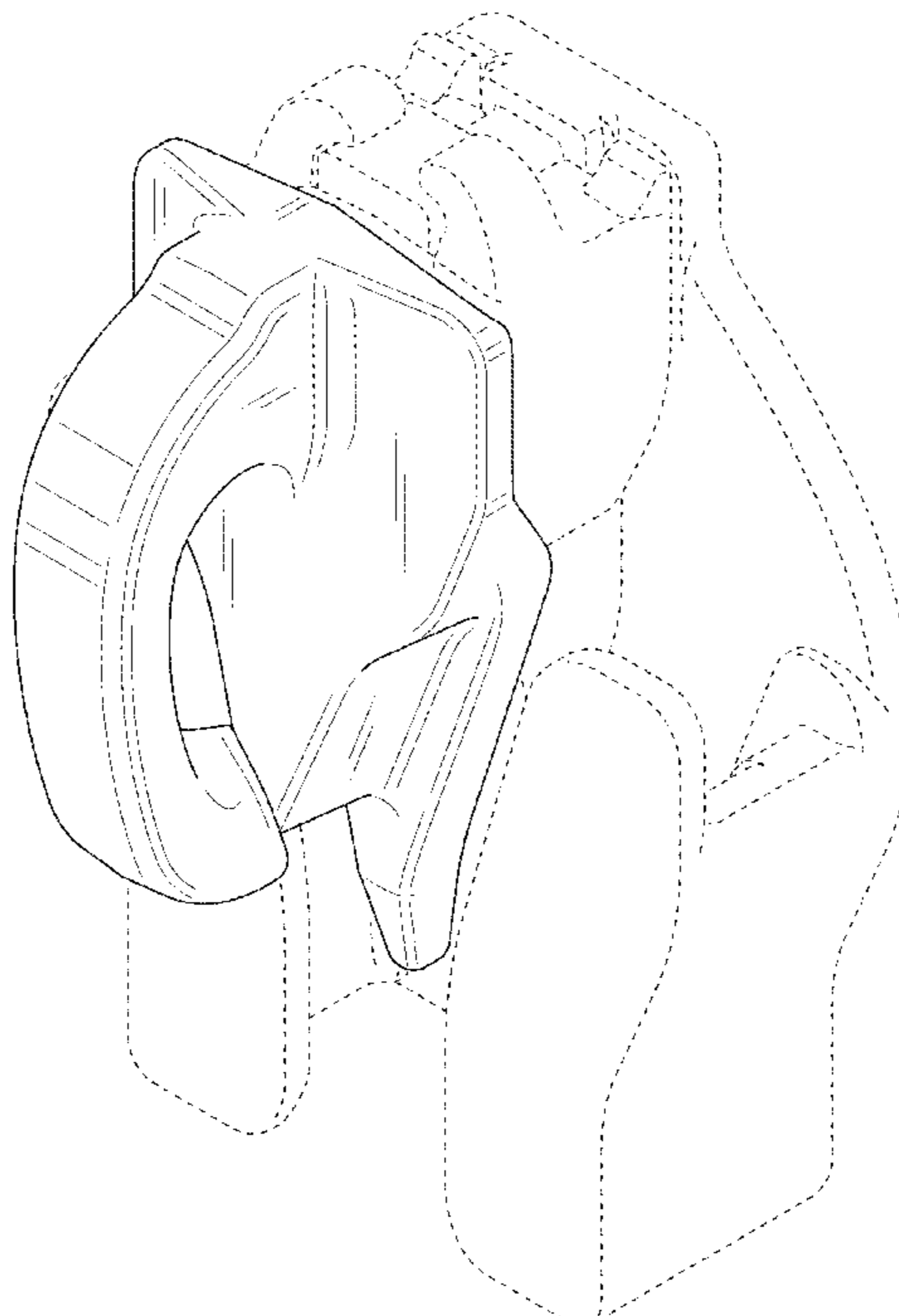


Fig. 1

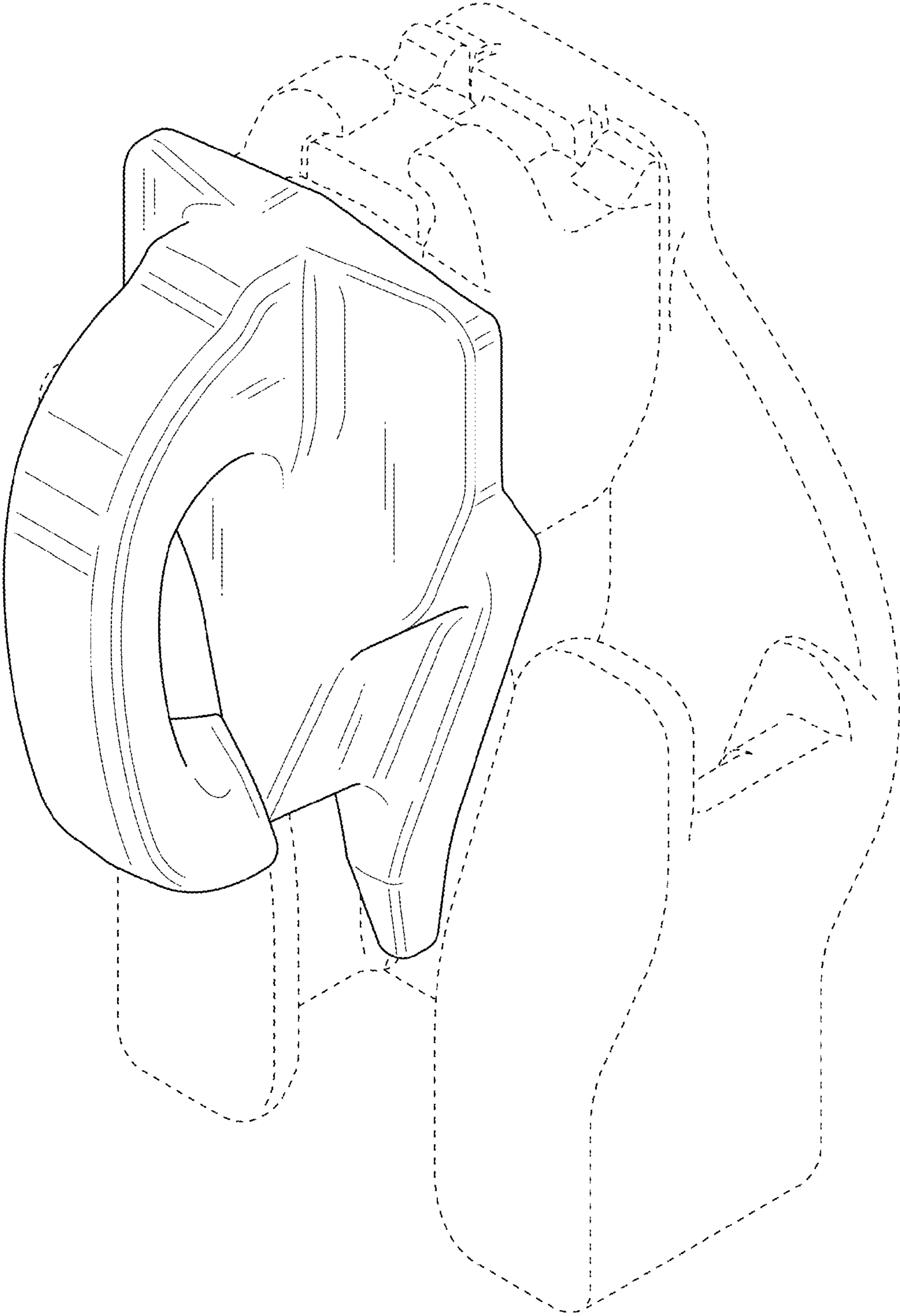


Fig. 2

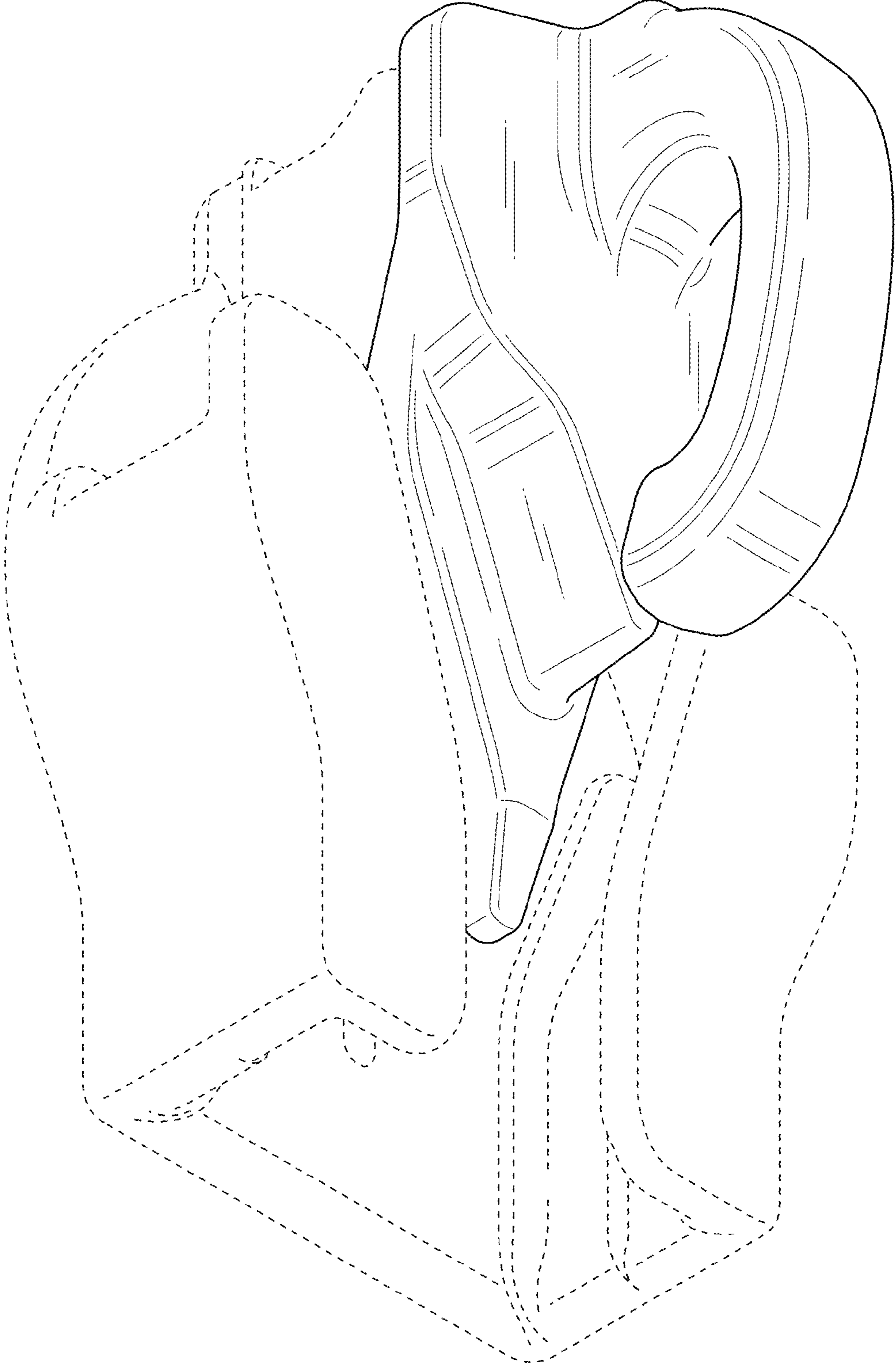


Fig. 3

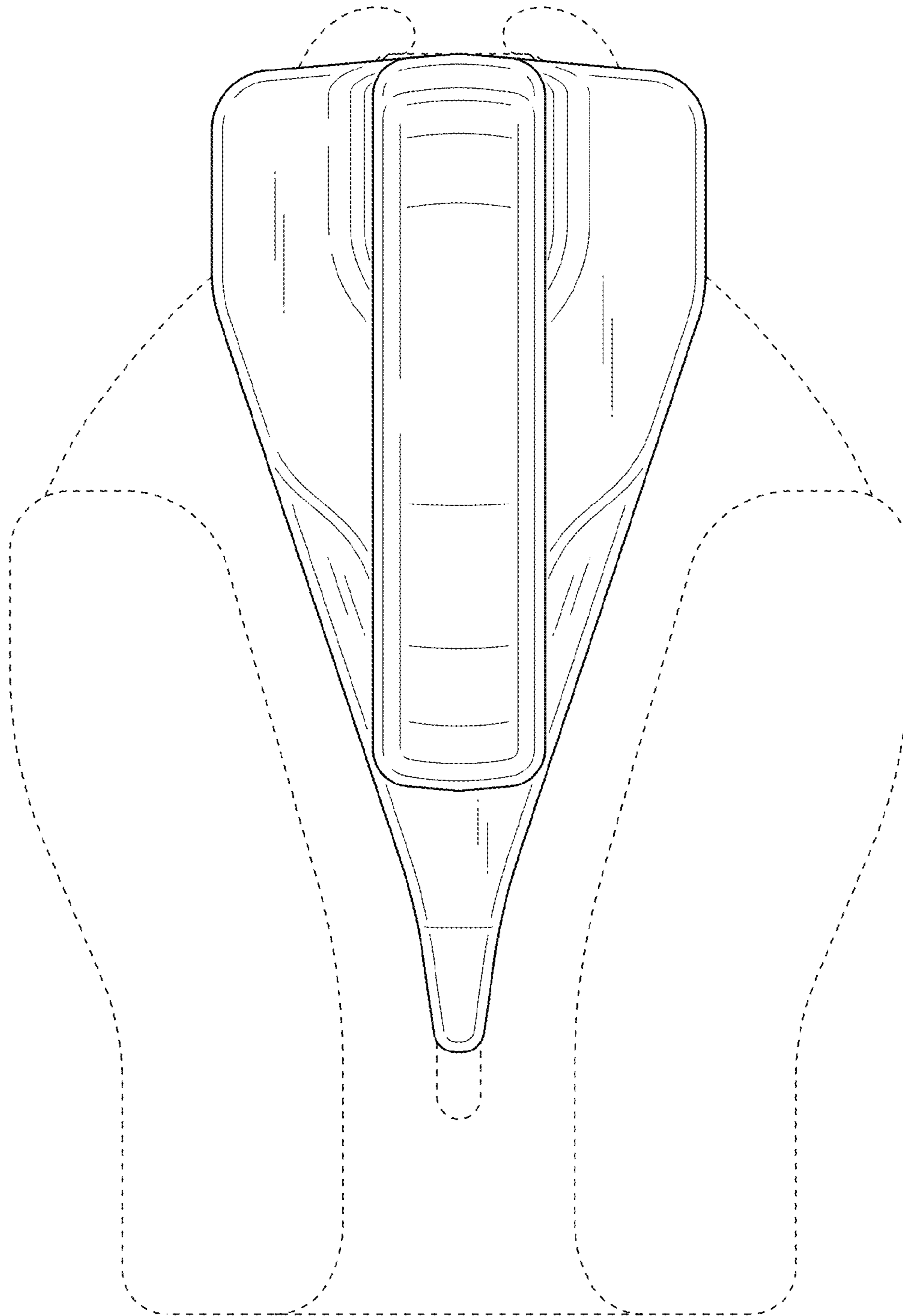


Fig. 4

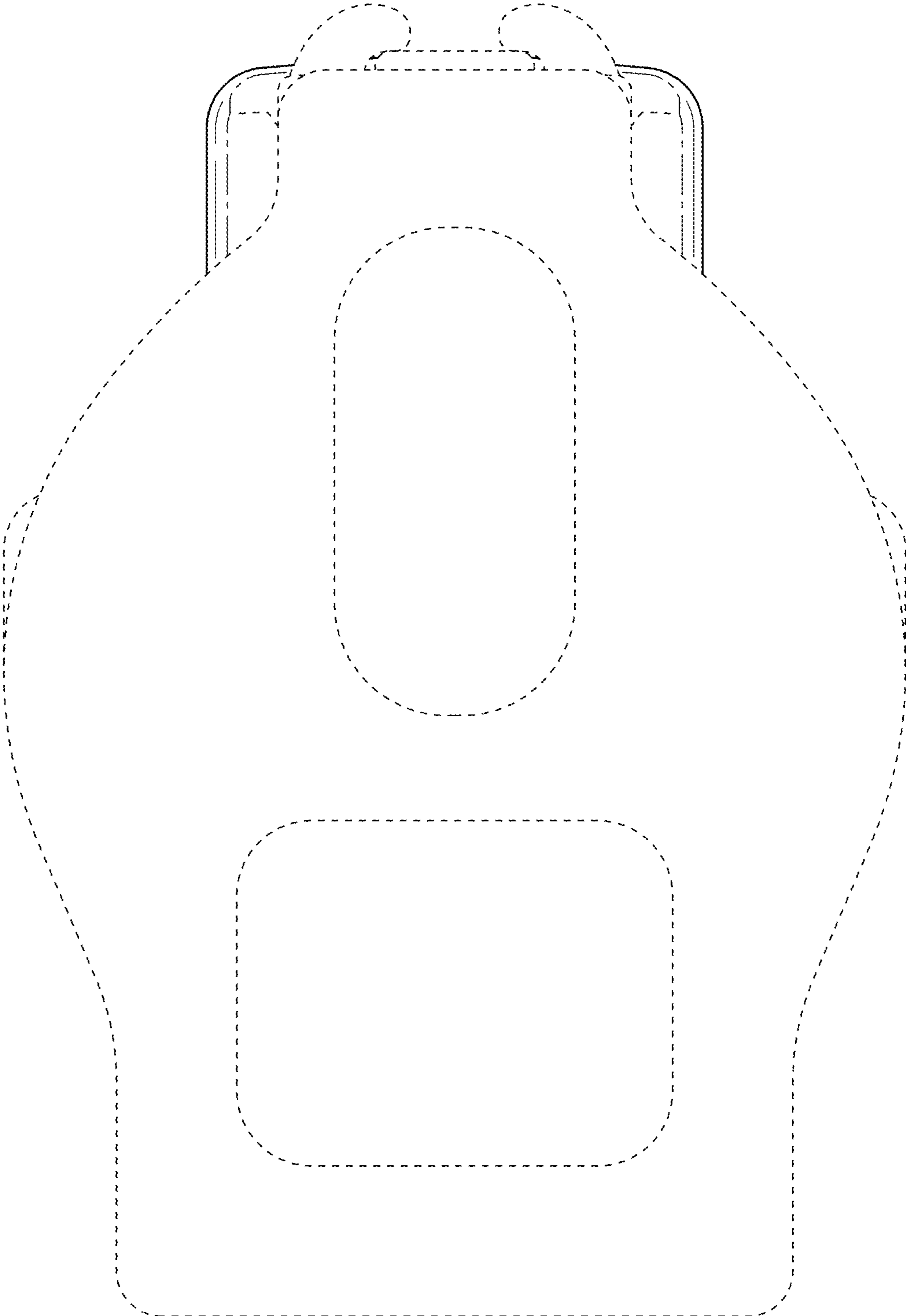


Fig. 5

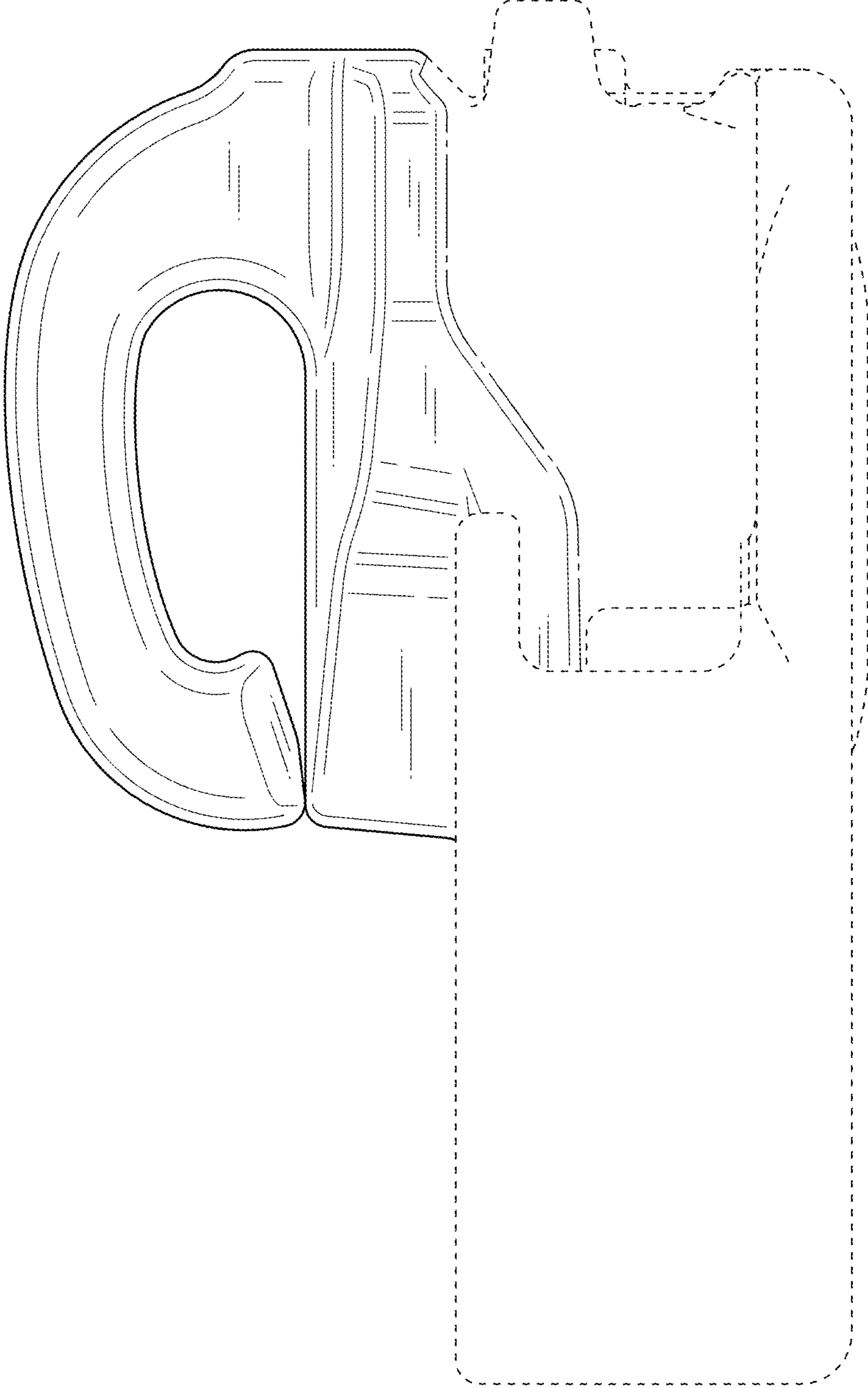


Fig. 6

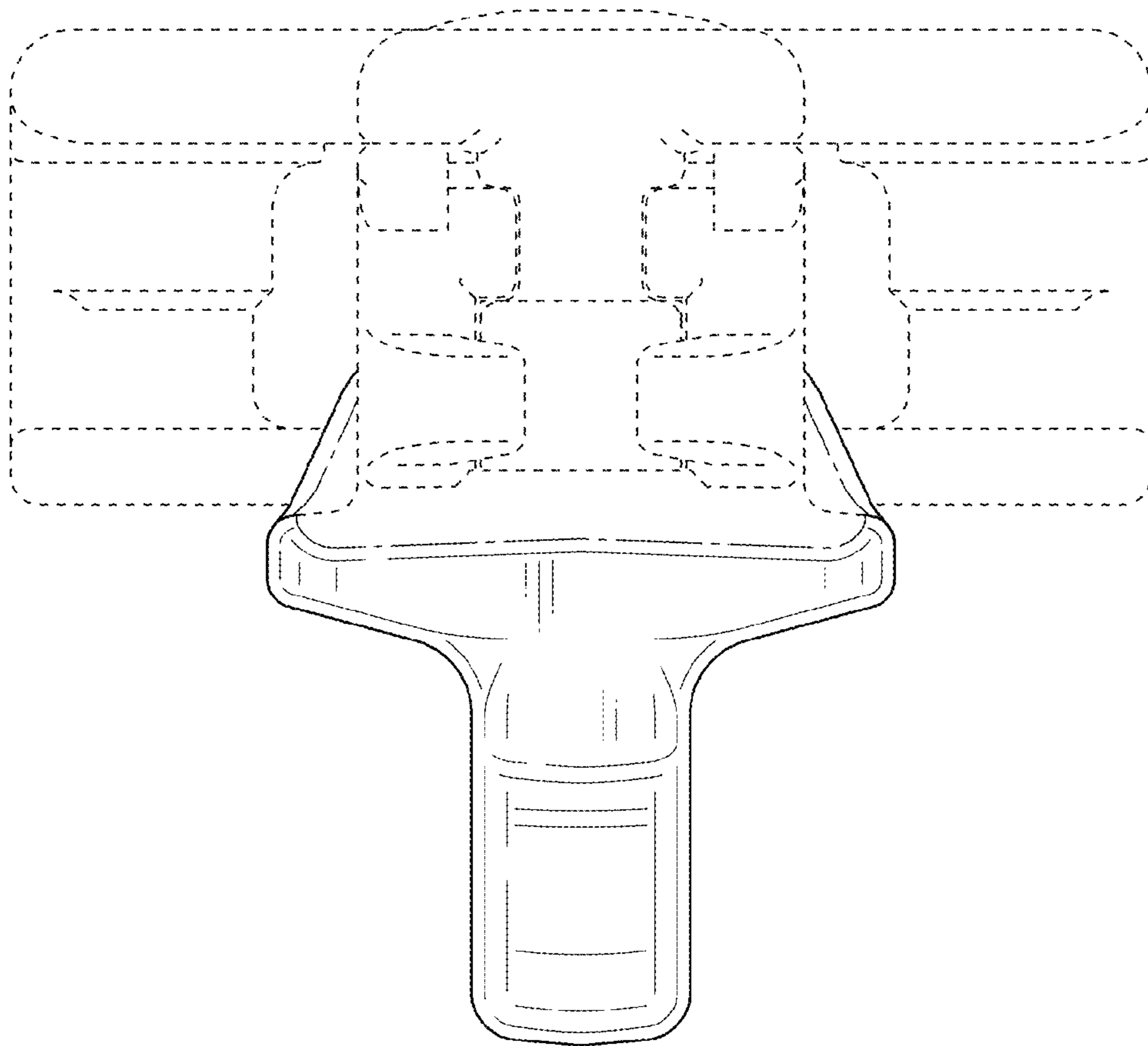


Fig. 7

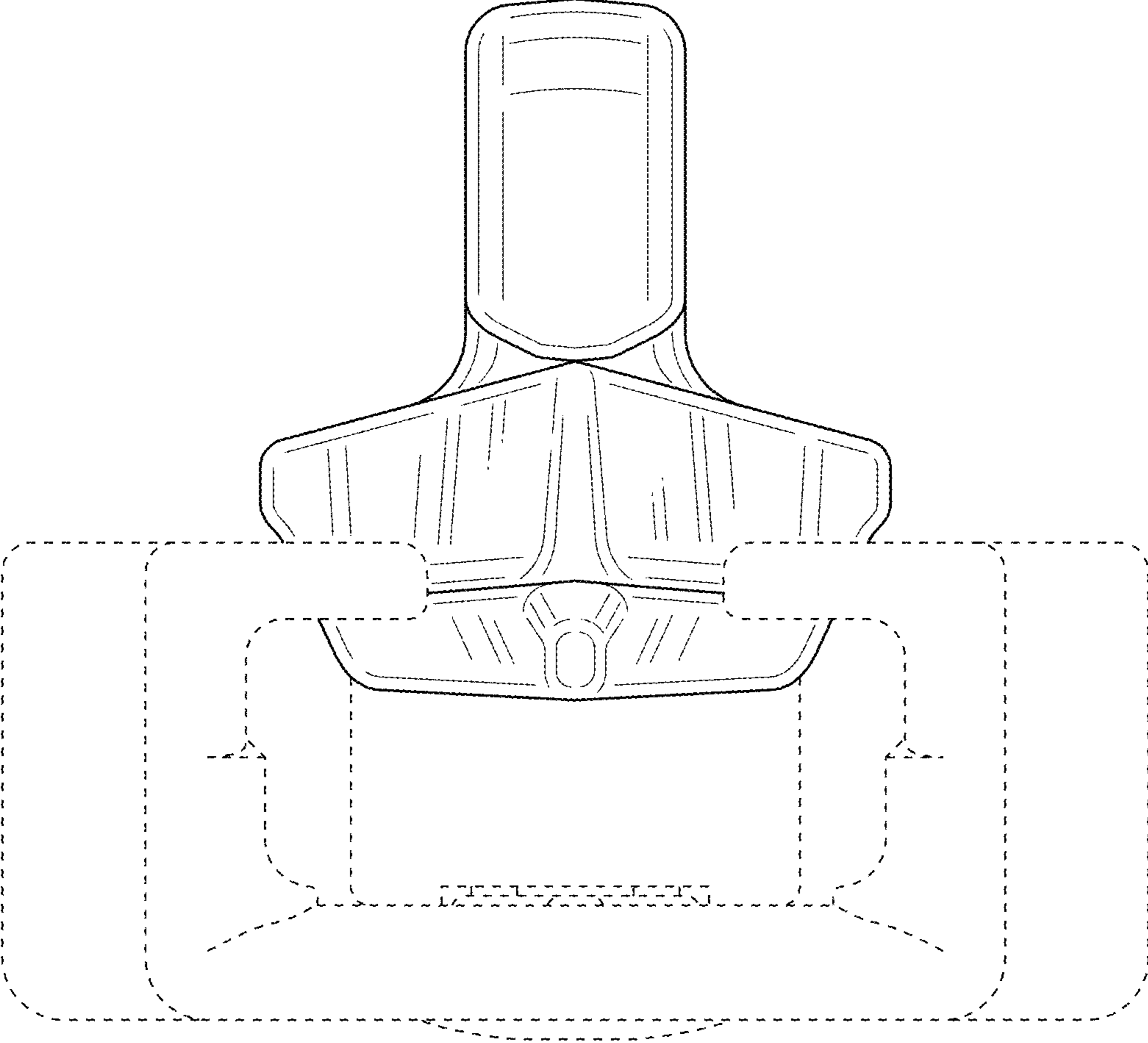


Fig. 8

