



US00D721615S

(12) **United States Design Patent**
Orange

(10) **Patent No.:** **US D721,615 S**
(45) **Date of Patent:** **** Jan. 27, 2015**

- (54) **PANTS BOTTOM CLIP**
- (71) Applicant: **Ahmed Orange**, Bronx, NY (US)
- (72) Inventor: **Ahmed Orange**, Bronx, NY (US)
- (**) Term: **14 Years**
- (21) Appl. No.: **29/475,317**
- (22) Filed: **Dec. 2, 2013**
- (51) **LOC (10) Cl.** **02-07**
- (52) **U.S. Cl.**
USPC **D11/215**
- (58) **Field of Classification Search**
CPC A44B 6/00; A44B 21/00; A44B 9/12
USPC D11/200-220, 78.1, 222; D20/22;
D3/215, 247, 249, 207; D8/394, 395;
24/60, 455, 485, 563, 564, 72.1, 49.1,
24/52, 166.4, 66.13, 56.3, 405, 709.9,
24/706.2, 710.3; D2/609, 639, 583; 2/232;
D32/61

See application file for complete search history.

(56) **References Cited**

U.S. PATENT DOCUMENTS

- D46,001 S * 6/1914 Meguiar D11/202
- D46,009 S * 6/1914 Singleton D11/215
- 1,206,074 A * 11/1916 Zwiener et al. 24/3.6
- D131,492 S * 3/1942 Lee D11/78.1

- 2,602,209 A * 7/1952 Tinnerman 24/581.1
- 2,897,565 A * 8/1959 Courtney 24/709
- 3,072,990 A * 1/1963 Souther 24/709.9
- 3,136,015 A * 6/1964 Gunderson 24/709.1
- 4,074,396 A * 2/1978 Swimley 24/709.1
- D302,242 S * 7/1989 Belash D8/395
- D467,791 S * 12/2002 Goodman et al. D8/371
- D602,687 S * 10/2009 Castaline et al. D3/207
- D620,785 S * 8/2010 St. Germaine D8/395
- D639,707 S * 6/2011 Caskey et al. D11/201
- D693,992 S * 11/2013 Dinunzio D2/853
- D694,151 S * 11/2013 Johnson et al. D11/200

* cited by examiner

Primary Examiner — Ralf Seifert

(74) *Attorney, Agent, or Firm* — Levin Santalone LLP; John Santalone

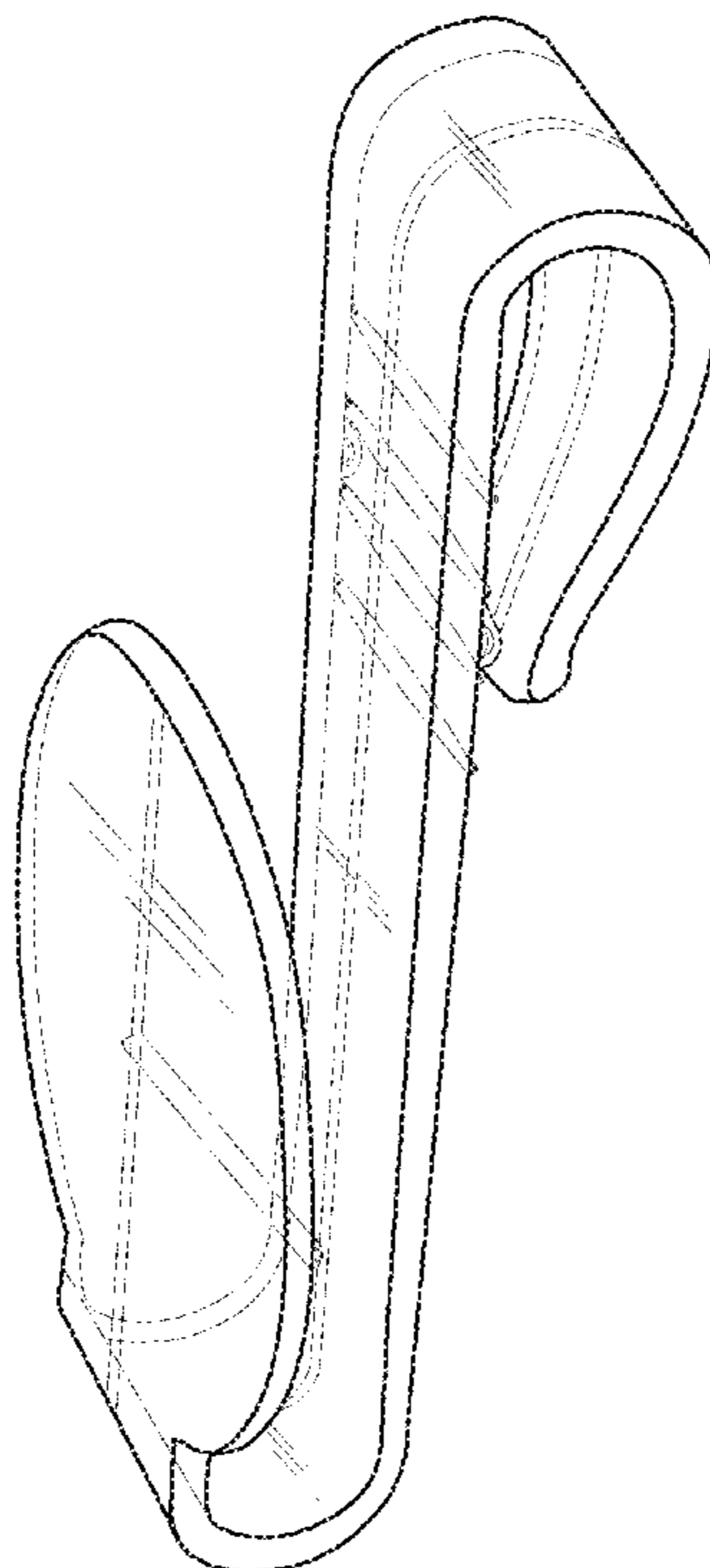
(57) **CLAIM**

The ornamental design for a pants bottom clip, as shown and described.

DESCRIPTION

- FIG. 1 is a perspective view of the pants bottom clip.
- FIG. 2 is a rear view of the pants bottom clip.
- FIG. 3 is a front view of the pants bottom clip.
- FIG. 4 is a right side view of the pants bottom clip.
- FIG. 5 is a left side view of the pants bottom clip.
- FIG. 6 is a bottom view of the pants bottom clip; and,
- FIG. 7 is a top view of the pants bottom clip.

1 Claim, 3 Drawing Sheets



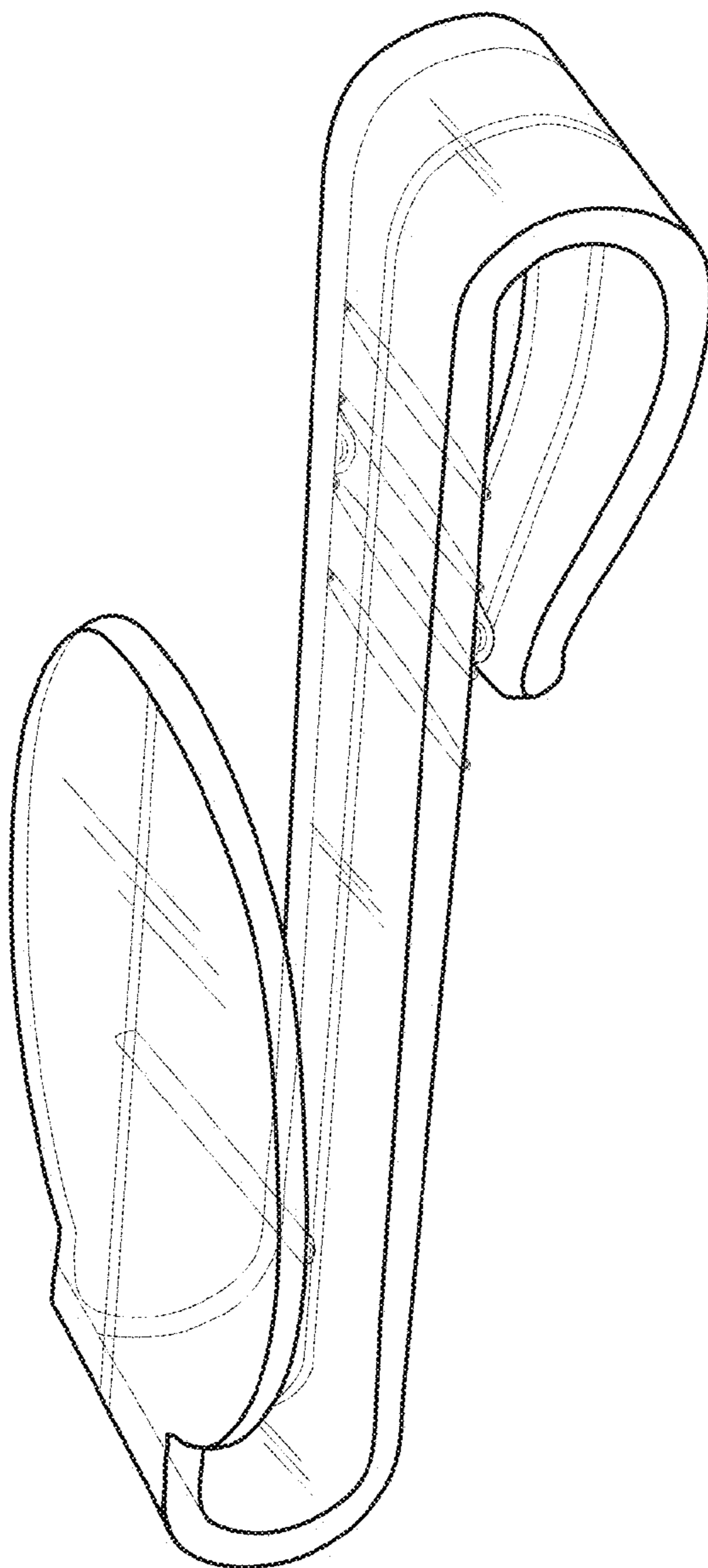


FIG. 1

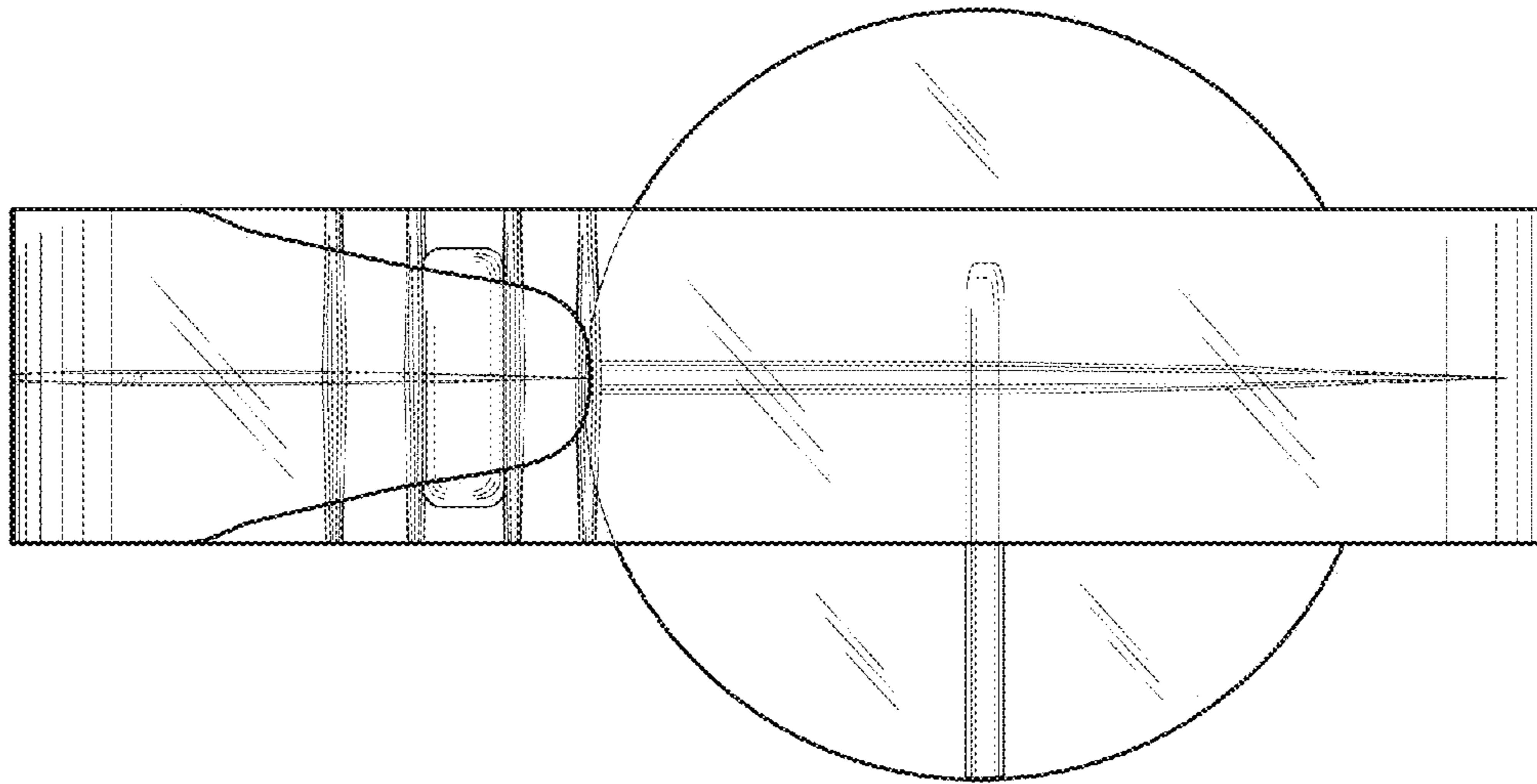


FIG. 2

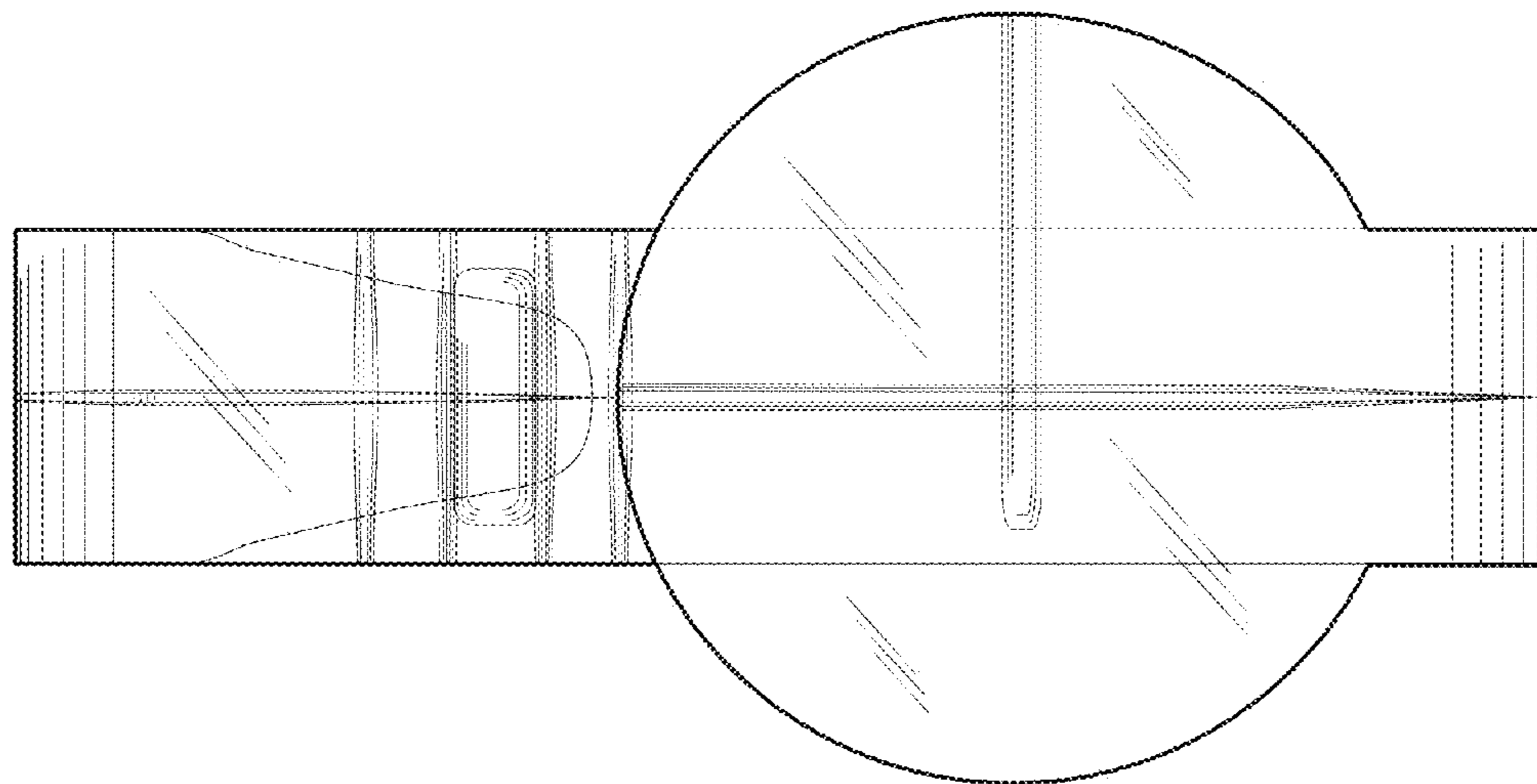


FIG. 3

FIG. 4

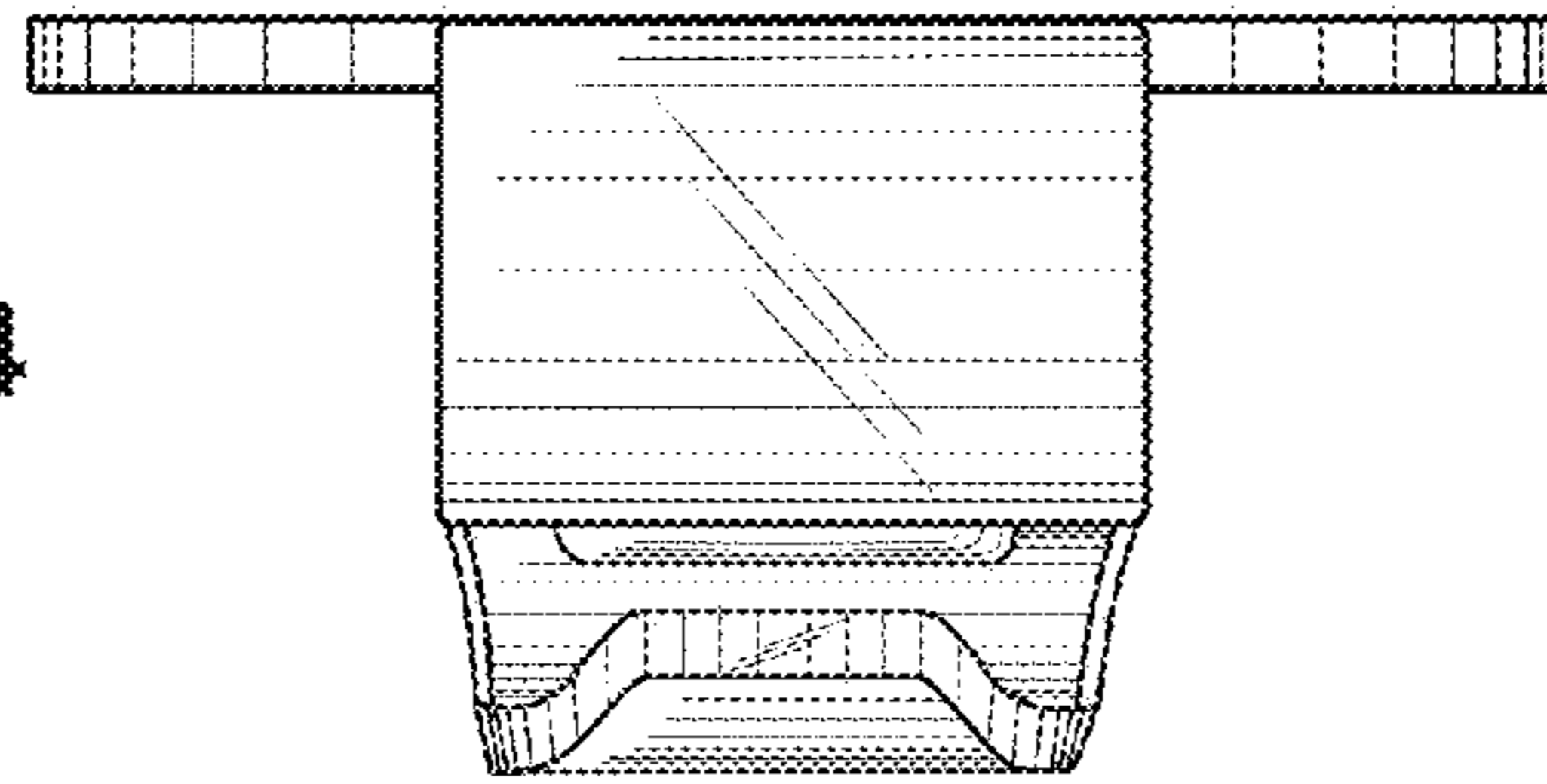


FIG. 5

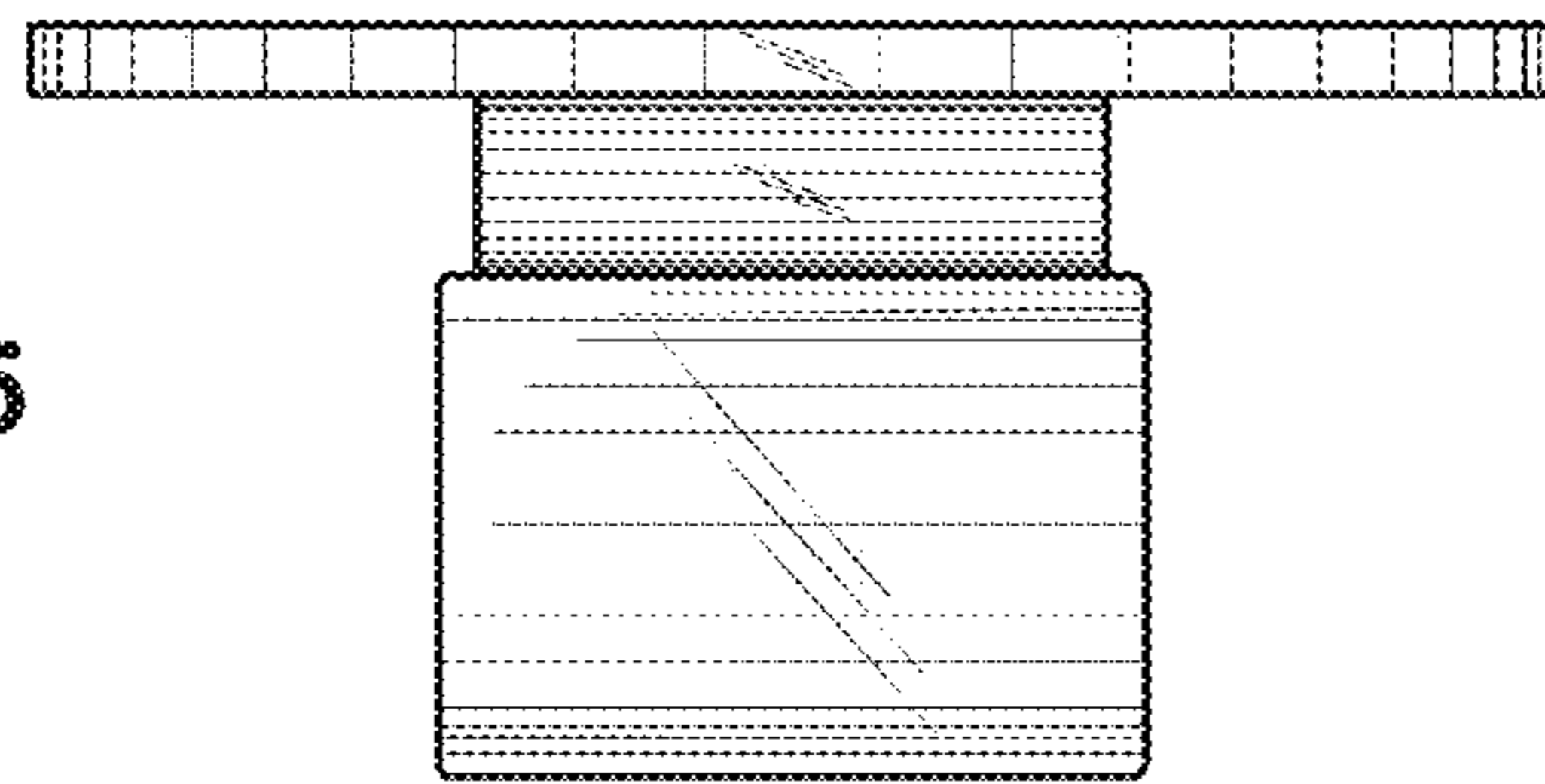


FIG. 6

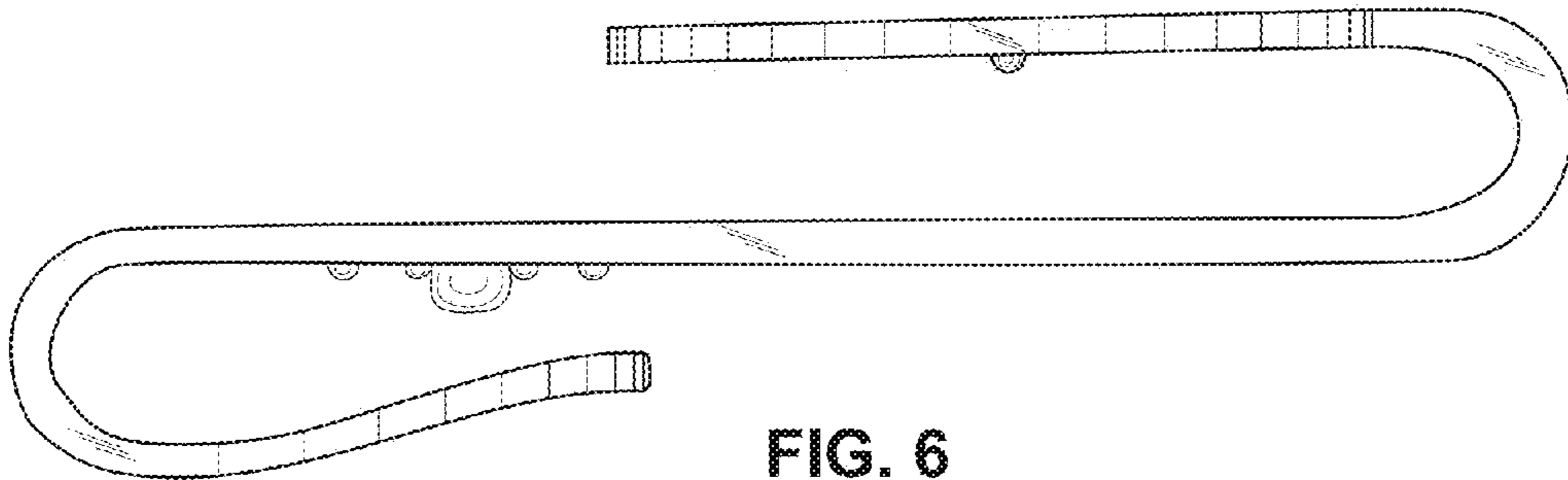


FIG. 7

