



US00D721613S

(12) **United States Design Patent**
Prinster et al.

(10) **Patent No.:** **US D721,613 S**
(45) **Date of Patent:** **** Jan. 27, 2015**

(54) **COMBINED OUTER SHELL AND INTERNAL
PLUG FOR A PLANTING SYSTEM**

(56) **References Cited**

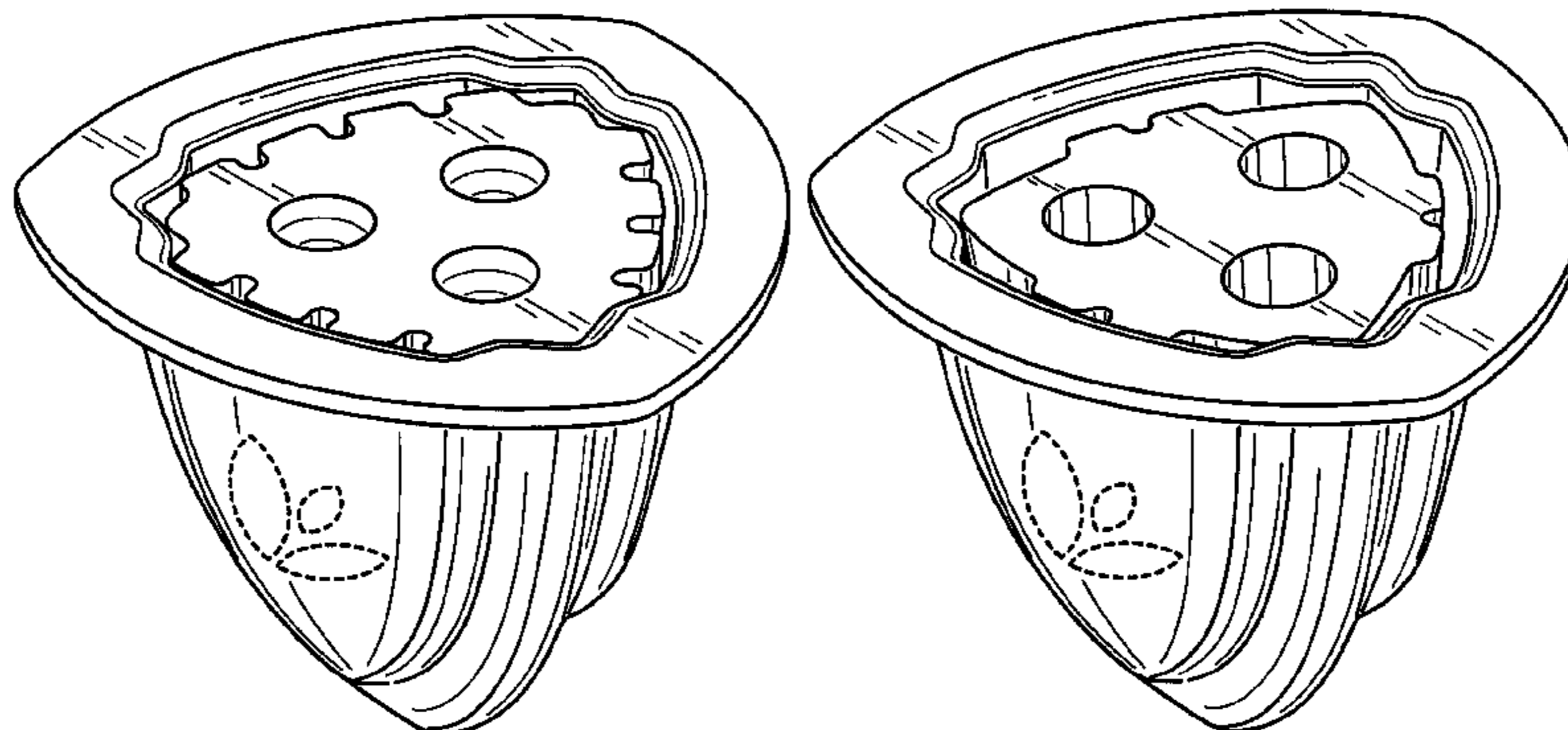
U.S. PATENT DOCUMENTS

- (71) Applicant: **OMS Investments, Inc.**, Los Angeles, CA (US)
- (72) Inventors: **Mark Gerard Prinster**, Marysville, OH (US); **Bradley Alan Schultz**, Powell, OH (US); **Sara Ann Gordon**, Powell, OH (US); **Kimberly Ann Rygielski**, Powell, OH (US); **Matthew L. Phillips**, Litchfield, CT (US); **Robert H. Bruno**, Avon, CT (US); **Philip J. Nathan**, Royal Oak, MI (US)
- (73) Assignee: **OMS Investments, Inc.**, Los Angeles, CA (US)
- (**) Term: **14 Years**
- (21) Appl. No.: **29/433,259**
- (22) Filed: **Sep. 27, 2012**

D94,072	S	12/1934	Cantor	
D132,559	S	5/1942	Sawyer	
D134,605	S	12/1942	Hablo-Rosenwald	
D168,092	S	11/1952	Hedn	
3,192,665	A	7/1965	Cloud	
D211,883	S	8/1968	McCrea	
D229,545	S	12/1973	Uhlig	
D255,410	S	* 6/1980	Petruzzi et al.	D11/152
4,232,482	A	* 11/1980	Watt et al.	47/71
4,285,164	A	8/1981	Moore	
D278,989	S	5/1985	Baumann	
4,769,945	A	9/1988	Motoyama et al.	
4,916,858	A	4/1990	Hobson	
D308,029	S	5/1990	Kladt	
D316,686	S	* 5/1991	Tardif	D11/148
D359,013	S	6/1995	Carlson	
5,430,972	A	7/1995	Wianecki	
D369,760	S	5/1996	Sanderson	
5,641,223	A	6/1997	Rustebakke	
D381,600	S	7/1997	Yurkovic	
5,651,214	A	7/1997	Zucker et al.	
5,720,129	A	2/1998	Lantinberg	
5,799,439	A	9/1998	MacGregor	
5,921,025	A	7/1999	Smith	
6,178,692	B1	1/2001	Graven	
6,219,968	B1	4/2001	Belger et al.	
6,233,871	B1	5/2001	Ho	
6,381,901	B1	* 5/2002	Friedman	47/79
6,418,644	B1	7/2002	Bykov et al.	
6,418,664	B1	7/2002	Shaw	
D485,207	S	1/2004	Dion	
6,782,656	B2	8/2004	Washburn	
D562,071	S	* 2/2008	Yang	D7/505
D575,668	S	8/2008	Rashid et al.	
D586,255	S	2/2009	Rashid et al.	
D598,809	S	8/2009	Smith	
7,587,859	B2	9/2009	Bradley	
7,676,988	B2	3/2010	Bradley	
7,805,866	B1	10/2010	Osgood	
7,805,886	B2	10/2010	Brandstatter	
D632,606	S	2/2011	Jalet	
7,984,586	B2	7/2011	Brusatore	
2001/0047617	A1	12/2001	Blossom	
2003/0140556	A1	7/2003	Frogley	
2005/0155286	A1	7/2005	Soukup	
2005/0204620	A1	9/2005	Butterfield et al.	
2005/0246954	A1	11/2005	Bissonnette et al.	
2005/0246955	A1	11/2005	Bissonnette et al.	
2006/0162251	A1	7/2006	Yamaguchi	

Related U.S. Application Data

- (62) Division of application No. 29/413,720, filed on Feb. 17, 2012, now Pat. No. Des. 671,028.
- (51) **LOC (10) Cl.** **11-02**
- (52) **U.S. Cl.**
USPC **D11/152**
- (58) **Field of Classification Search**
USPC D6/403-405, 556-558; D8/1; D11/143-156, 164; D19/77, 80, 81, D19/84; D25/100; D26/9-11, 16, 19; D34/1, 2, 4-6; D99/5, 19; 47/17, 32.4, 47/32.5, 32.7, 33, 39, 41.01, 41.1, 47/41.11-41.15, 44-47, 63, 65.5, 65.9, 47/66.1, 66.2, 66.6, 66.7, 67-71
See application file for complete search history.



(56)

References Cited

U.S. PATENT DOCUMENTS

2006/0179711 A1 8/2006 Bissonnette et al.
 2008/0282610 A1 11/2008 Bissonnette et al.
 2010/0162624 A1 7/2010 Bradley
 2010/0263274 A1 10/2010 Corak et al.
 2011/0232190 A1 9/2011 Pindus et al.
 2011/0283614 A1 11/2011 Jaensch

FOREIGN PATENT DOCUMENTS

WO WO 2005/055700 6/2005

OTHER PUBLICATIONS

Gro-ables by Miracle-Gro dated Apr. 14, 2013. found online [Apr. 5, 2014] http://www.amazon.com/Miracle-Gro-Gro-ables-Vegetable-Herb-Garden/dp/B00C88DV6M/ref=cm_cr_pr_pb_t.*

* cited by examiner

Primary Examiner — Robert M Spear

Assistant Examiner — Marissa J Cash

(74) *Attorney, Agent, or Firm* — Hunton & Williams LLP

(57)

CLAIM

We claim the ornamental design for a combined outer shell and internal plug for a planting system, as shown and described.

DESCRIPTION

FIG. 1 depicts a perspective view of a combined outer shell and internal plug for a planting system with the top cover removed depicting an internal plug.

FIG. 2 is a front elevational view of the combined outer shell and internal plug for a planting system.

FIG. 3 is a rear elevational view the combined outer shell and internal plug for a planting system.

FIG. 4 is a side elevational view the combined outer shell and internal plug for a planting system.

FIG. 5 is an opposite side elevational view the combined outer shell and internal plug for a planting system.

FIG. 6 is a top plan view the combined outer shell and internal plug for a planting system depicting the internal plug.

FIG. 7 is a bottom plan view the combined outer shell and internal plug for a planting system.

FIG. 8 depicts a perspective view of the internal plug removed from the combined outer shell and internal plug for a planting system of FIGS. 1-7.

FIG. 9 is a front elevational view thereof.

FIG. 10 is a rear elevational view thereof.

FIG. 11 is a side elevational view thereof.

FIG. 12 is an opposite side elevational view thereof.

FIG. 13 is a top plan view thereof.

FIG. 14 is a bottom plan view thereof.

FIG. 15 depicts a perspective view of the combined outer shell and internal plug for a planting system with the top cover removed depicting a second embodiment of the internal plug.

FIG. 16 depicts a top view of the combined outer shell and internal plug for a planting system depicting the second embodiment of the internal plug.

FIG. 17 depicts a perspective view of the second embodiment of the internal plug removed from the combined outer shell and internal plug for a planting system of FIGS. 8-16.

FIG. 18 is a front elevational view thereof.

FIG. 19 is a rear elevational view thereof.

FIG. 20 is a side elevational view thereof.

FIG. 21 is an opposite side elevational view thereof.

FIG. 22 is a top plan view thereof.

FIG. 23 is a bottom plan view thereof.

FIG. 24 depicts an exploded view of the components of the combined outer shell and internal plug for a planting system with the first embodiment of the internal plug; and,

FIG. 25 depicts an exploded view of the components of the combined outer shell and internal plug for a planting system with the second embodiment of the internal plug.

The broken lines in the drawings illustrate environmental structure on the article and form no part of the claimed design.

1 Claim, 25 Drawing Sheets

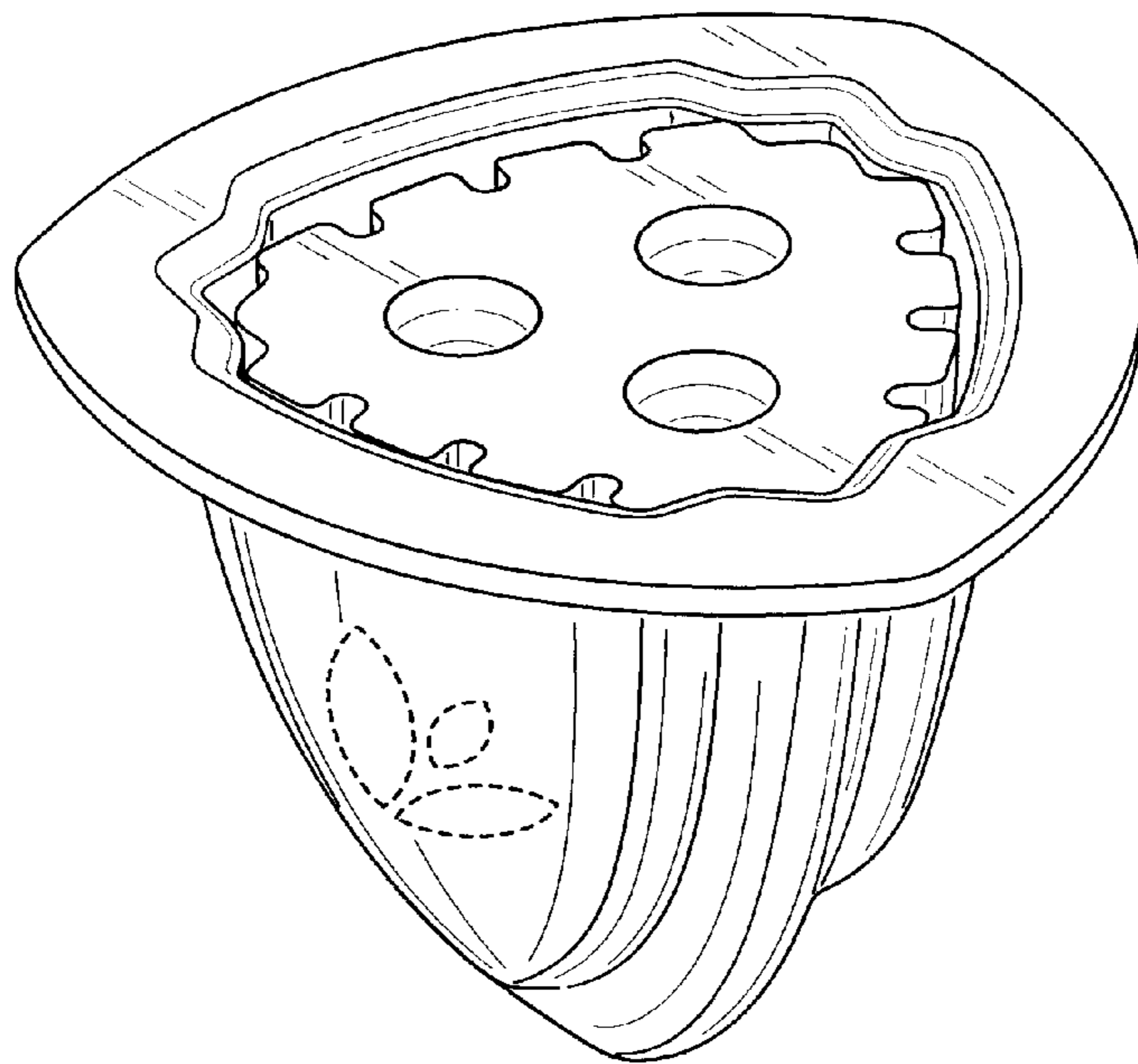


FIG. 1

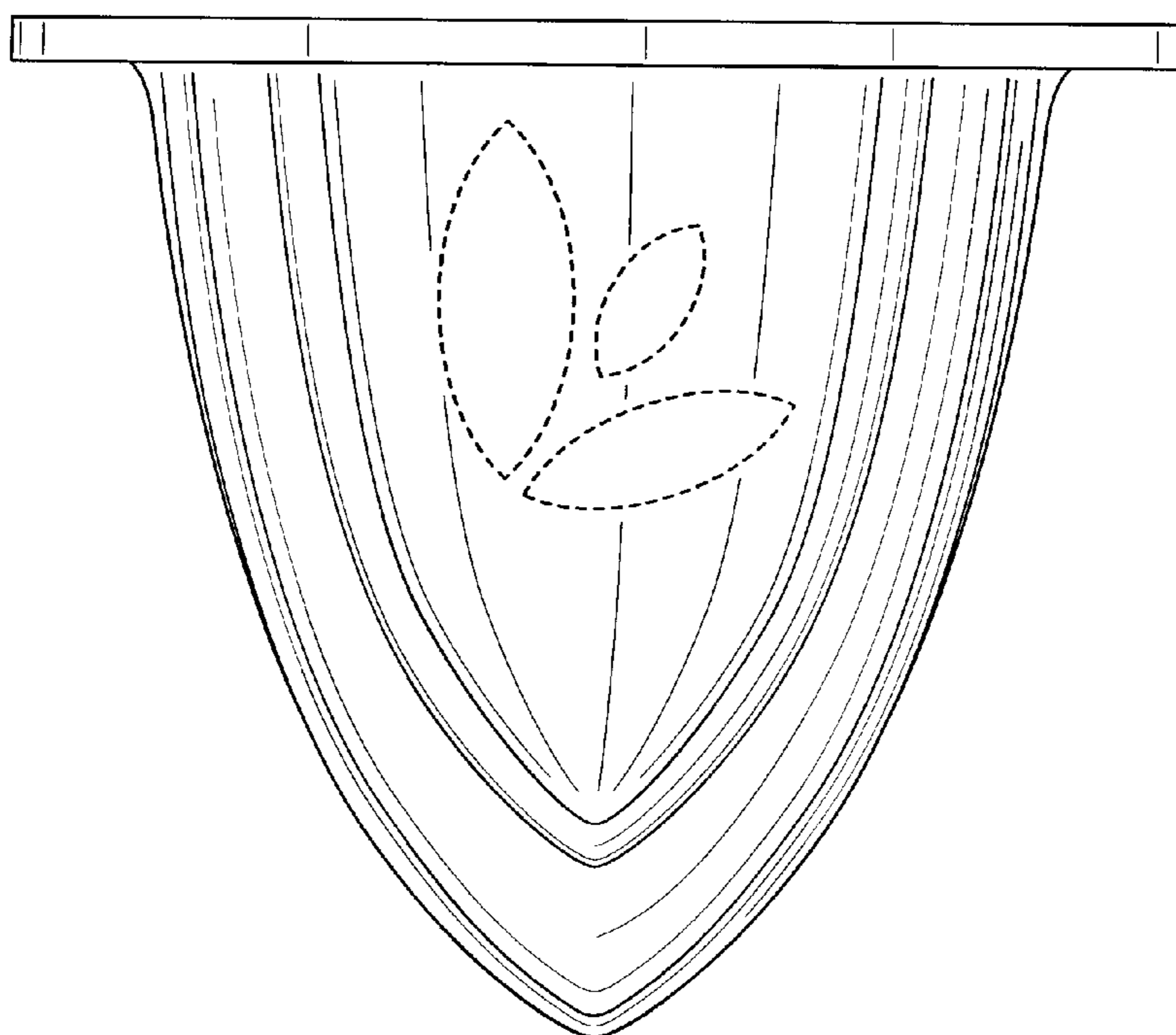


FIG. 2

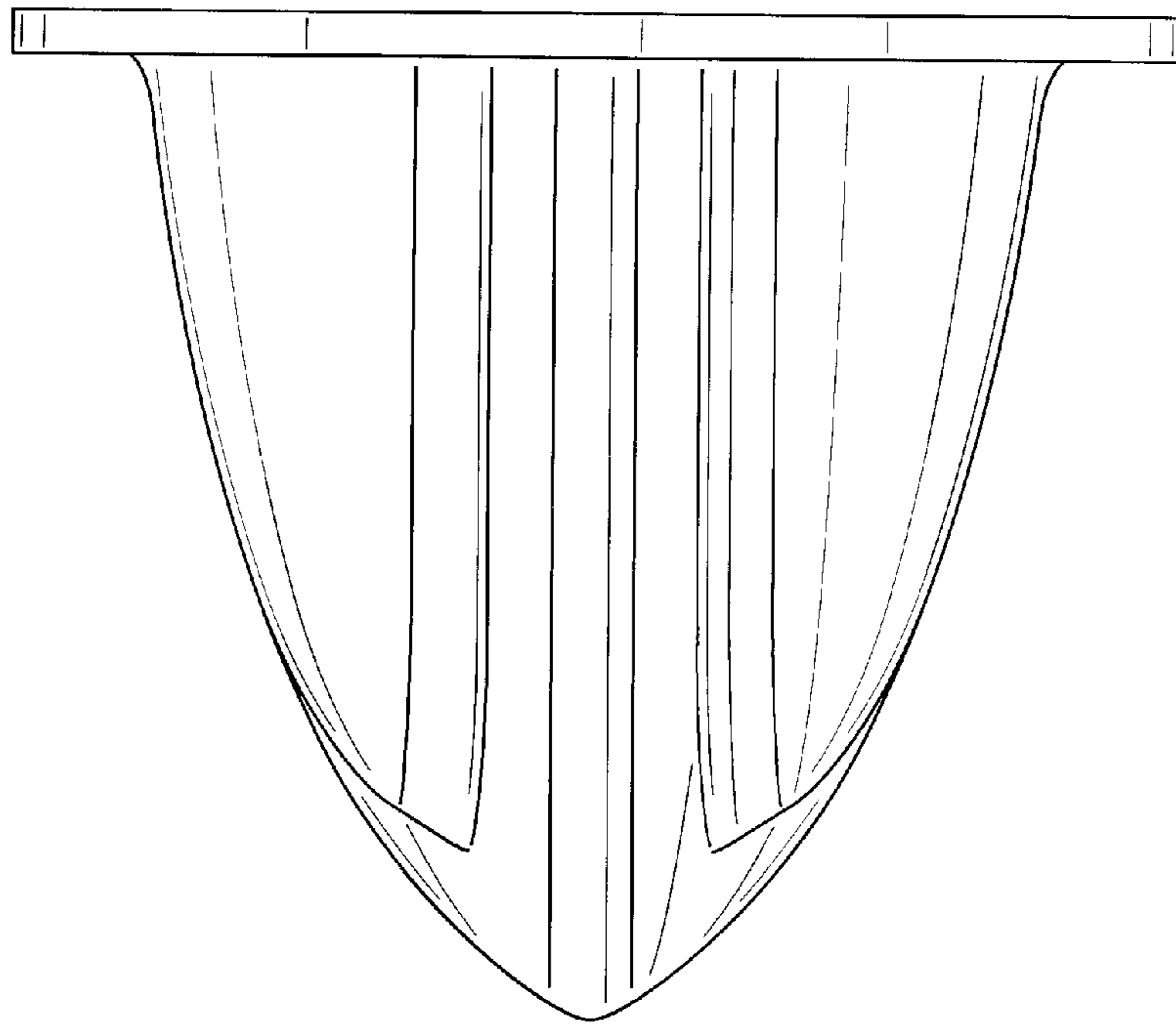


FIG. 3

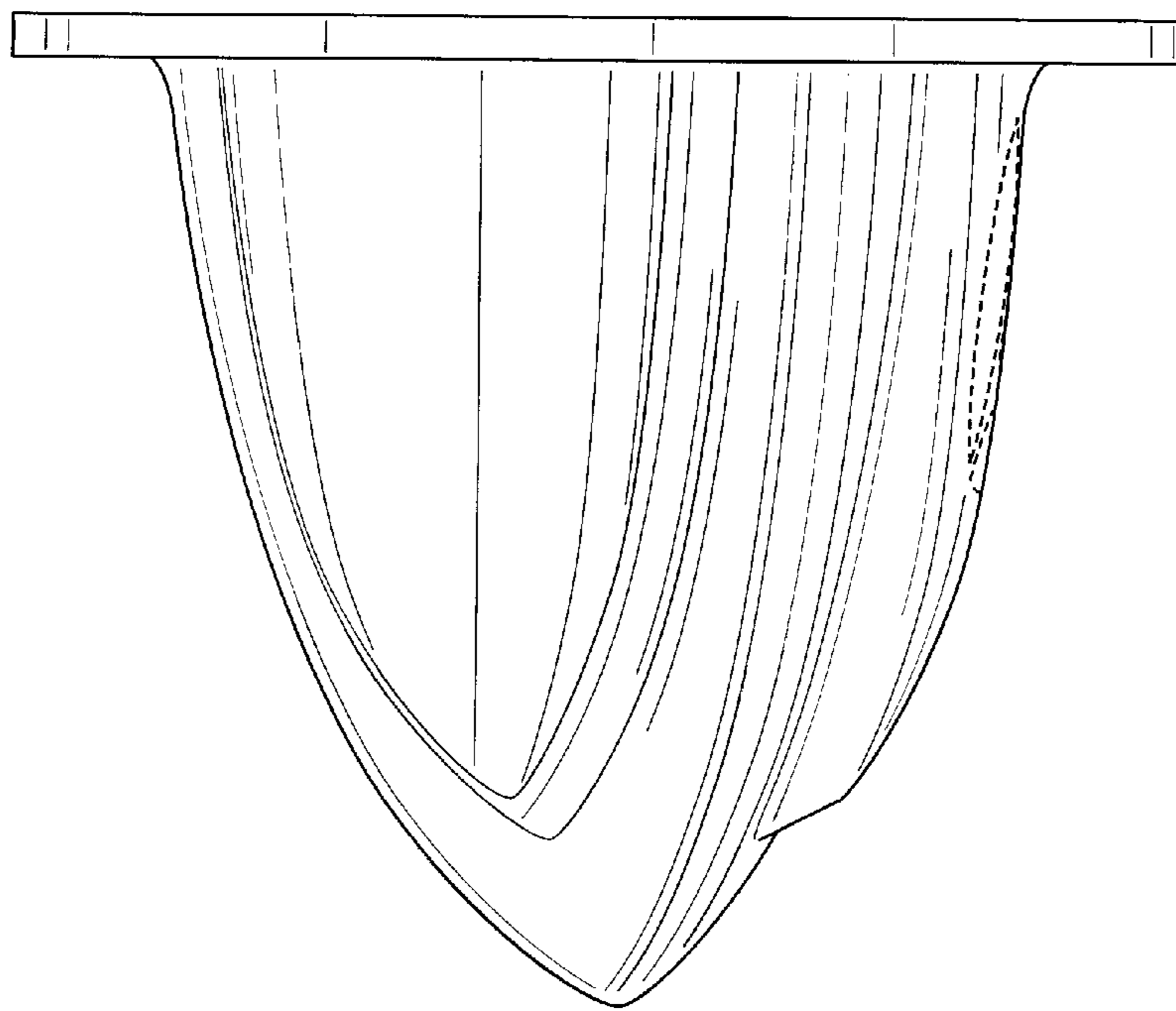


FIG. 4

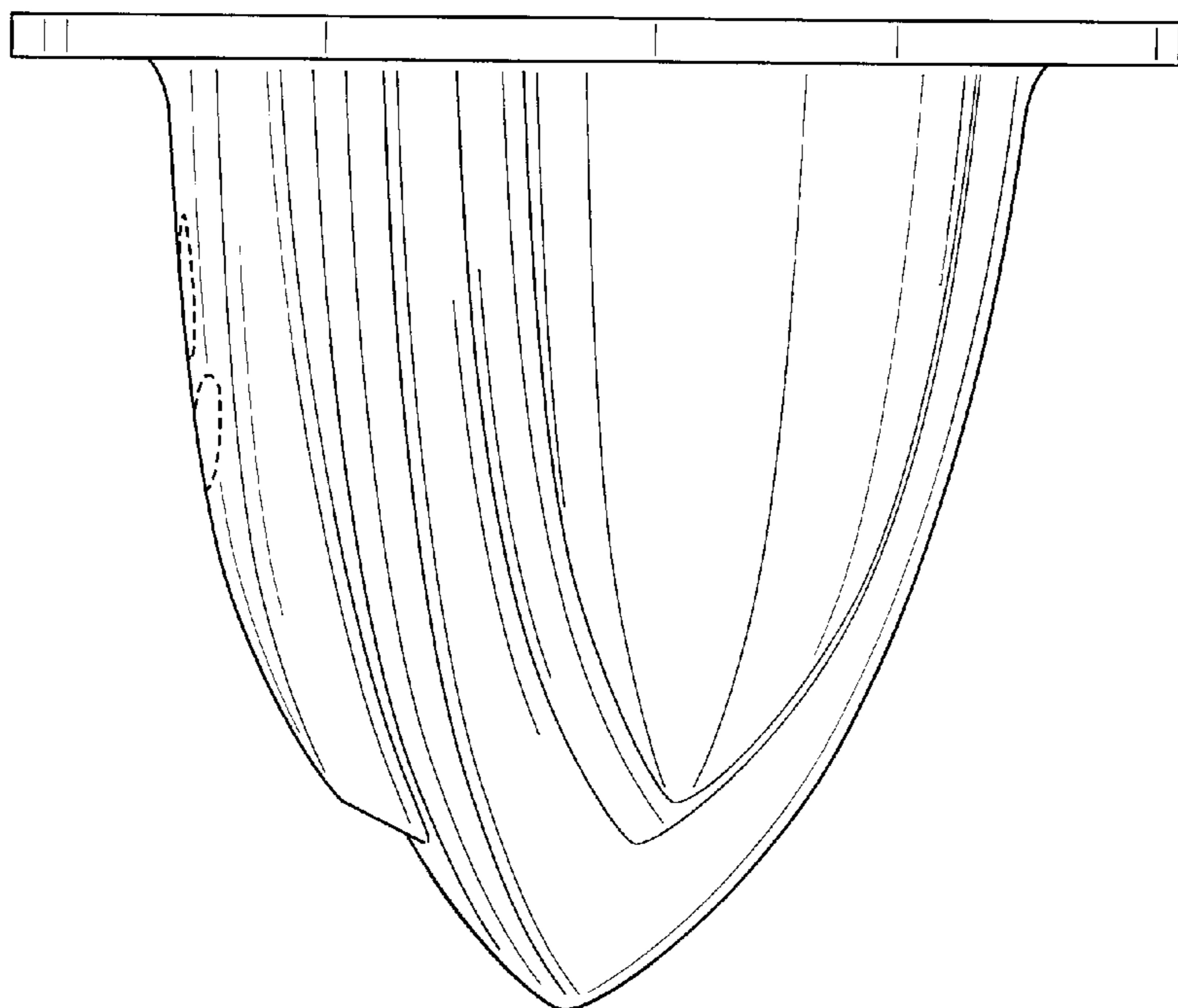


FIG. 5

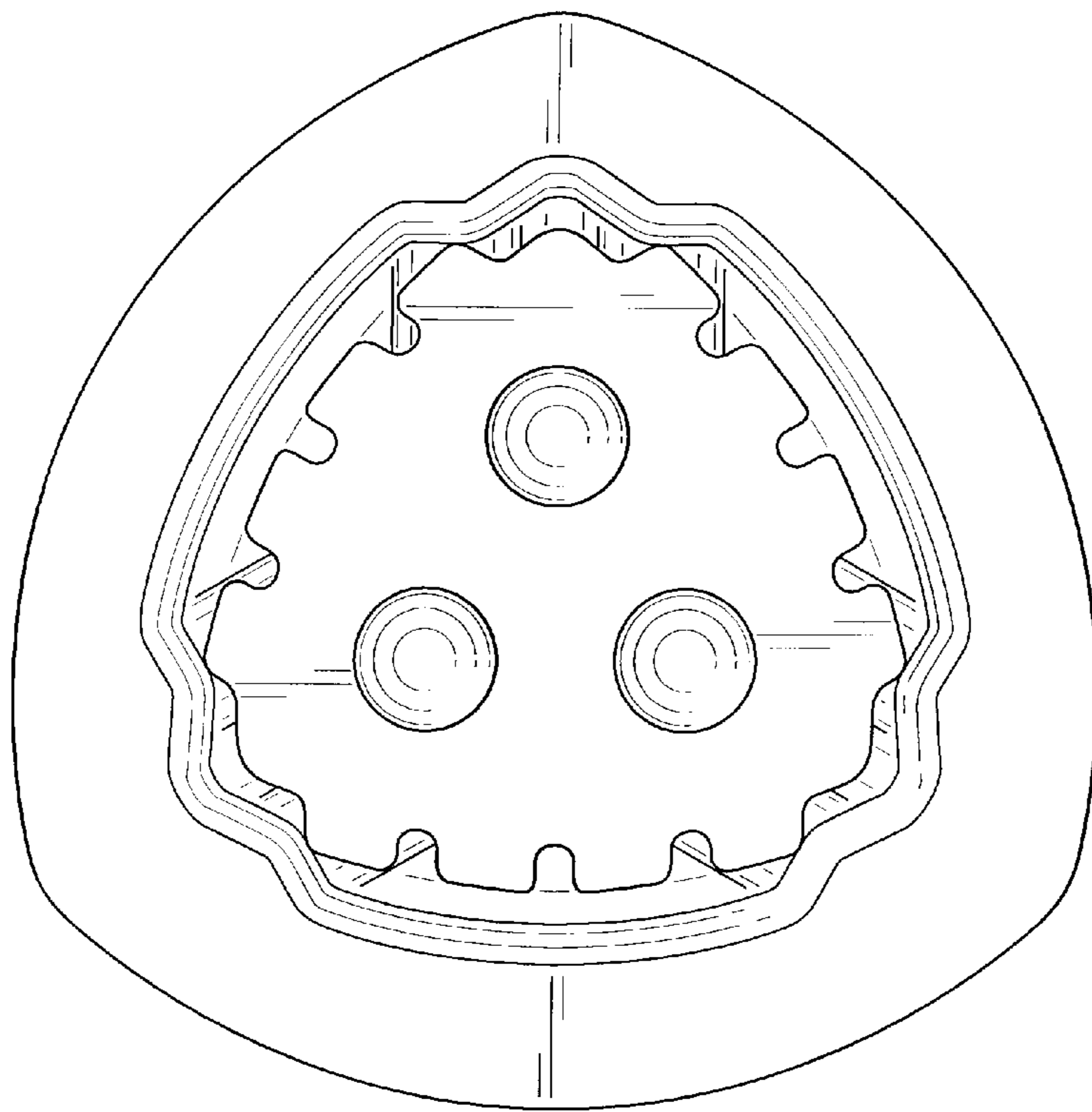


FIG. 6

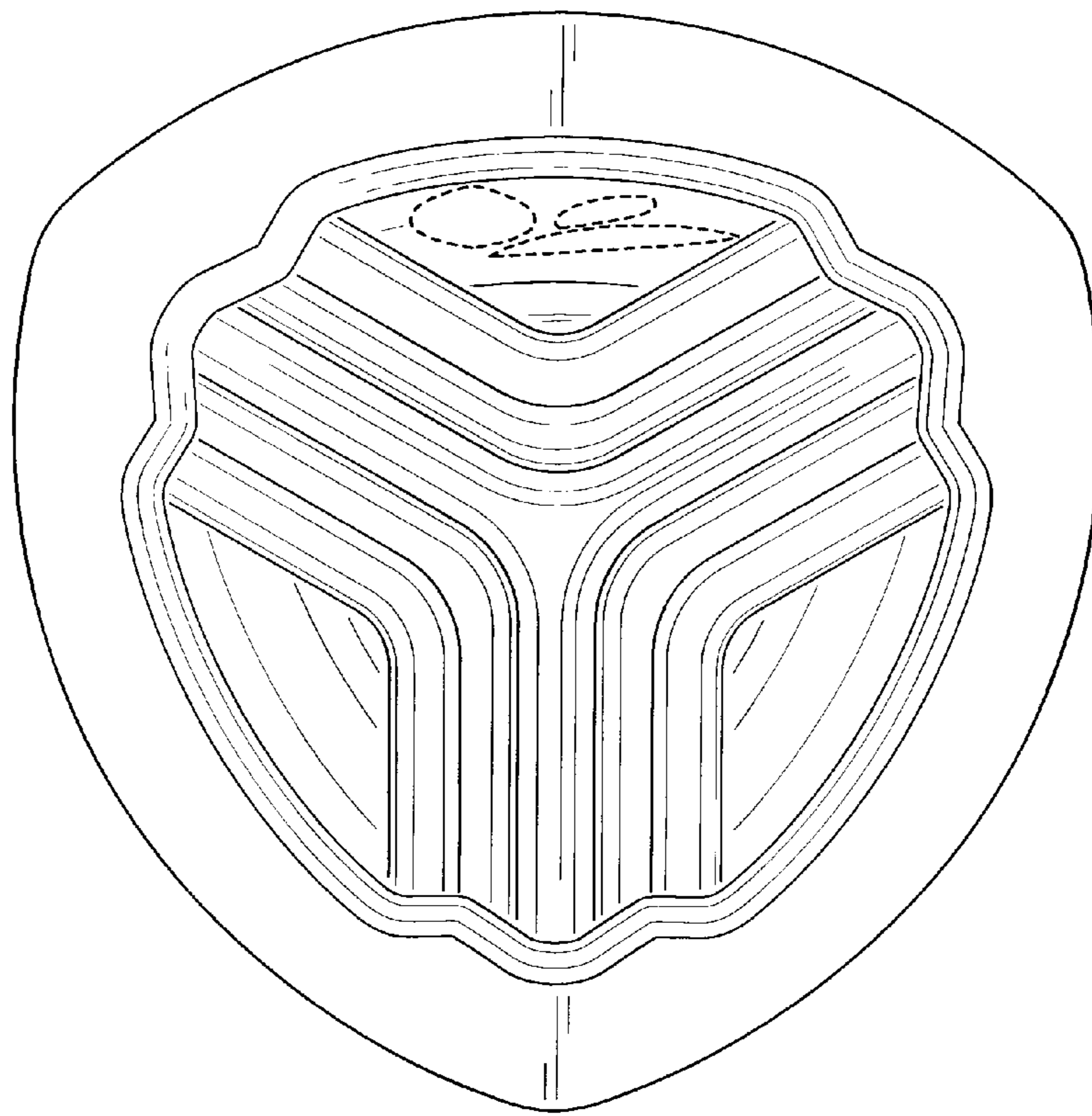


FIG. 7

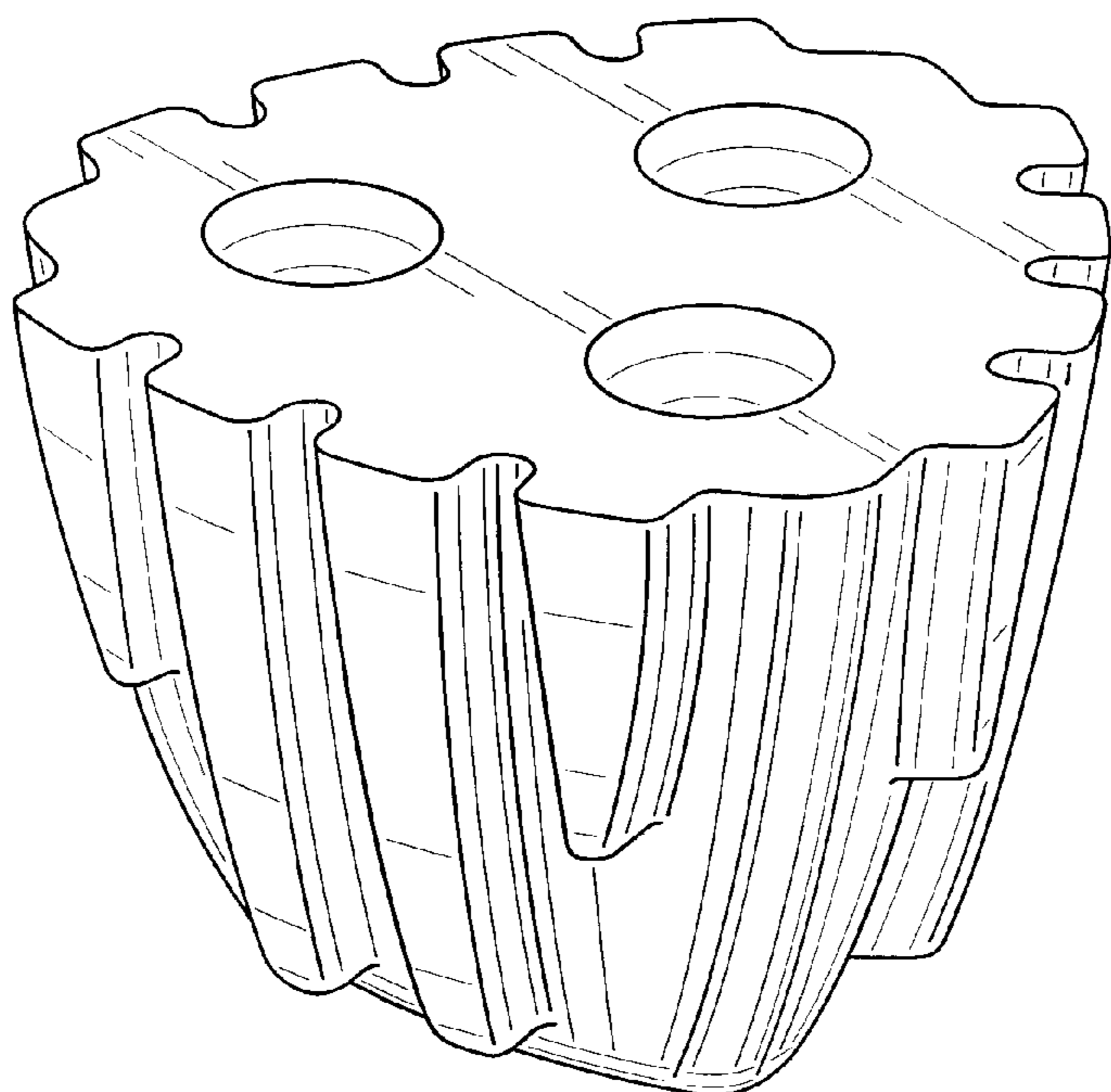


FIG. 8

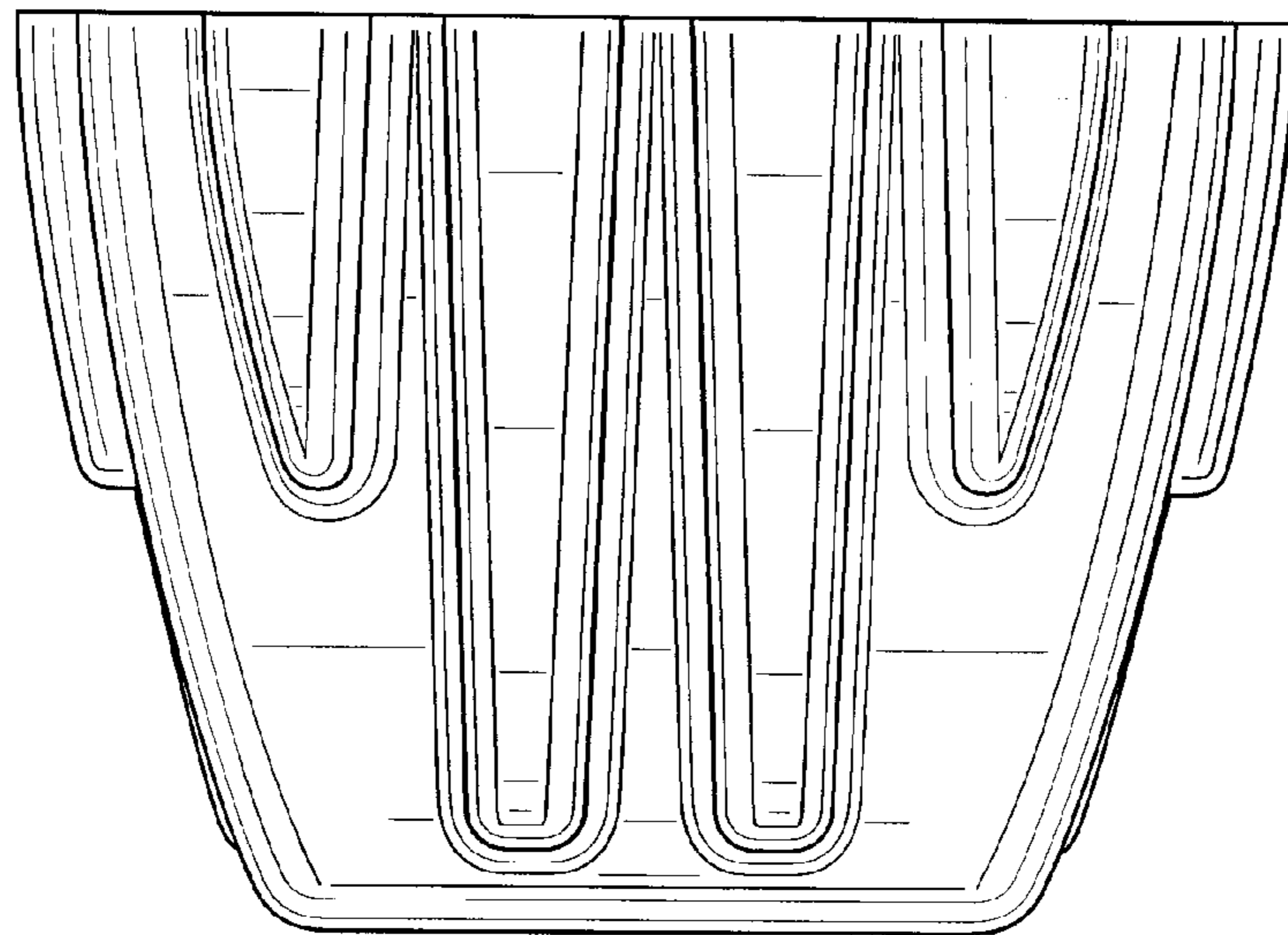


FIG. 9

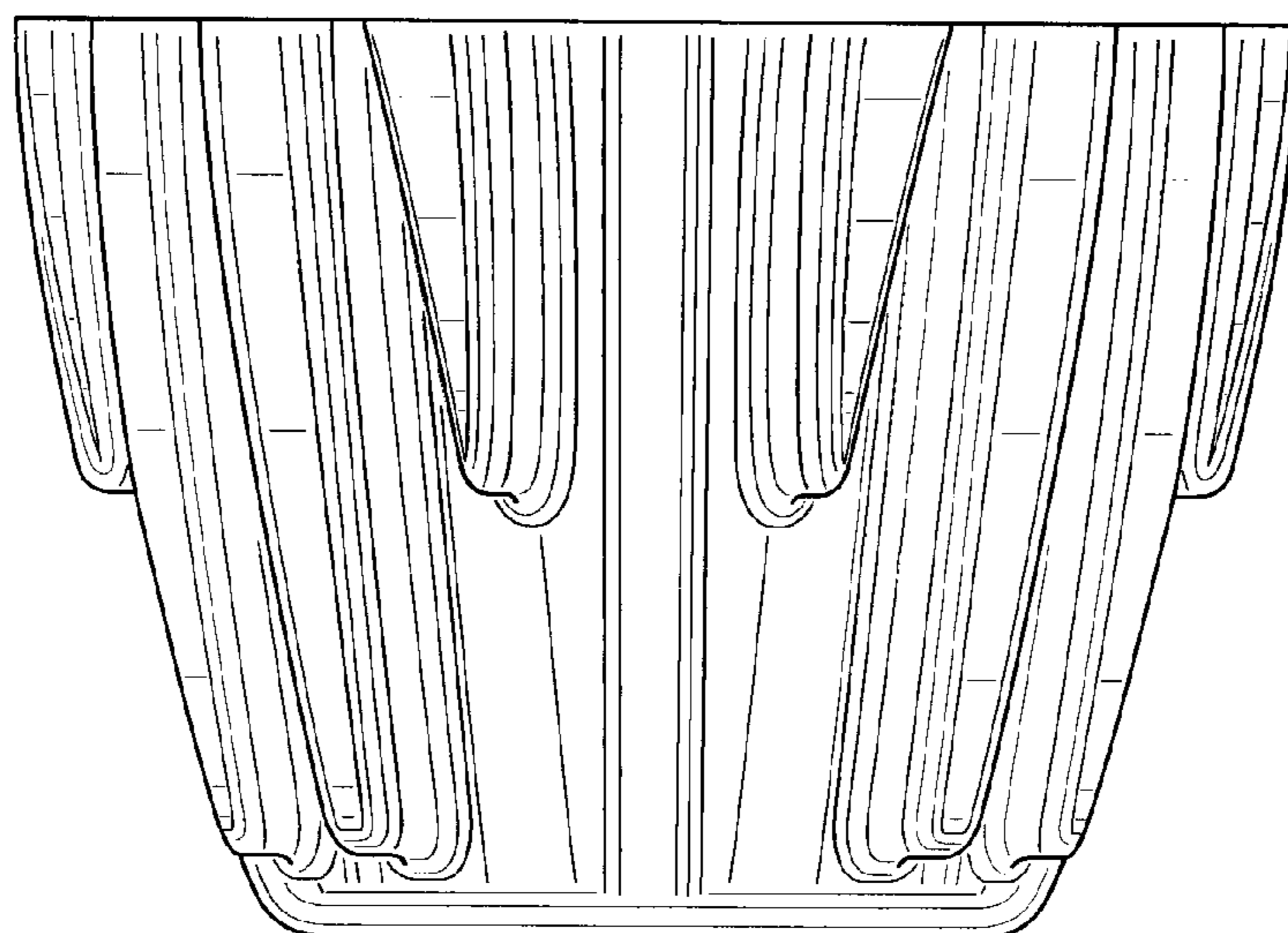


FIG. 10

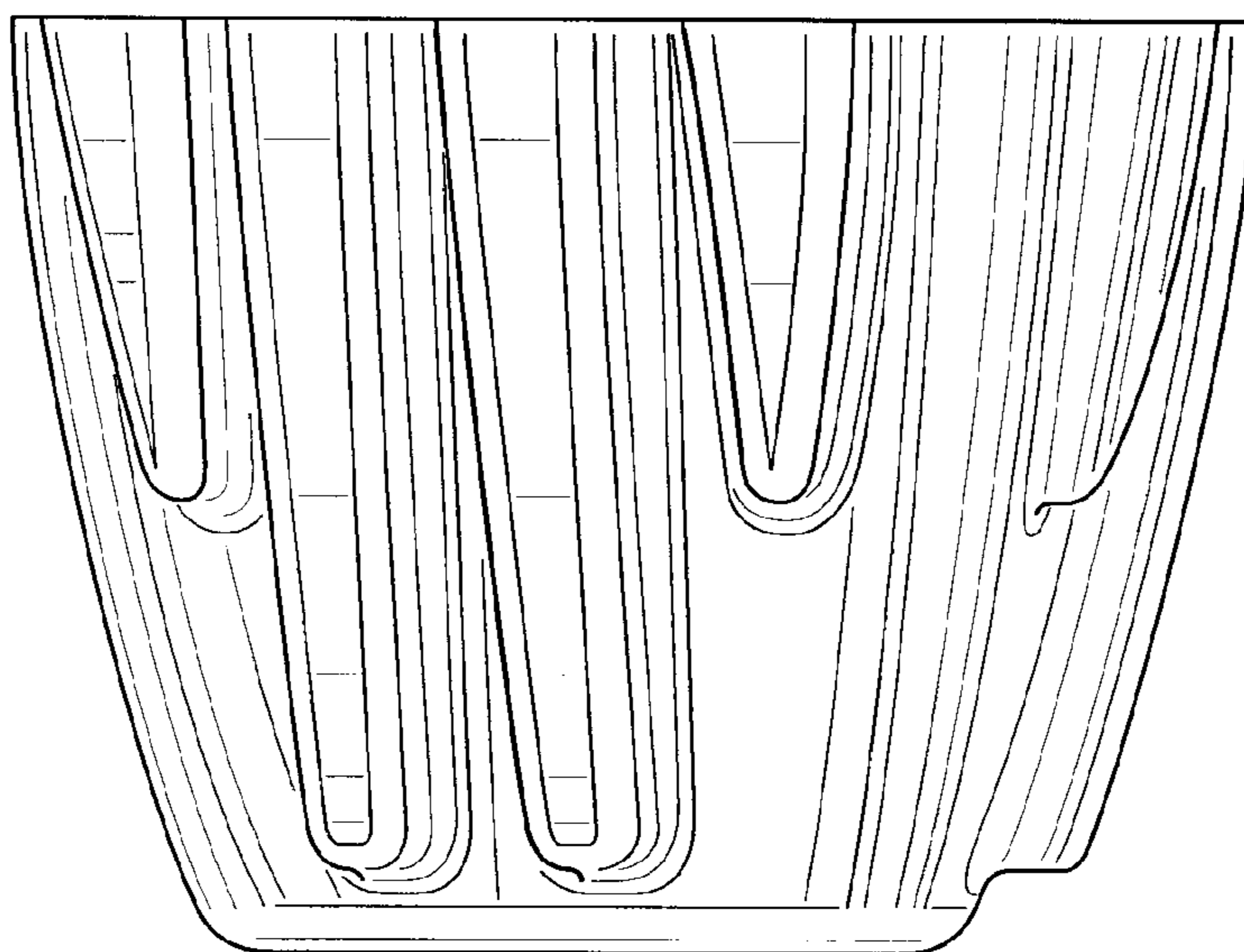


FIG. 11

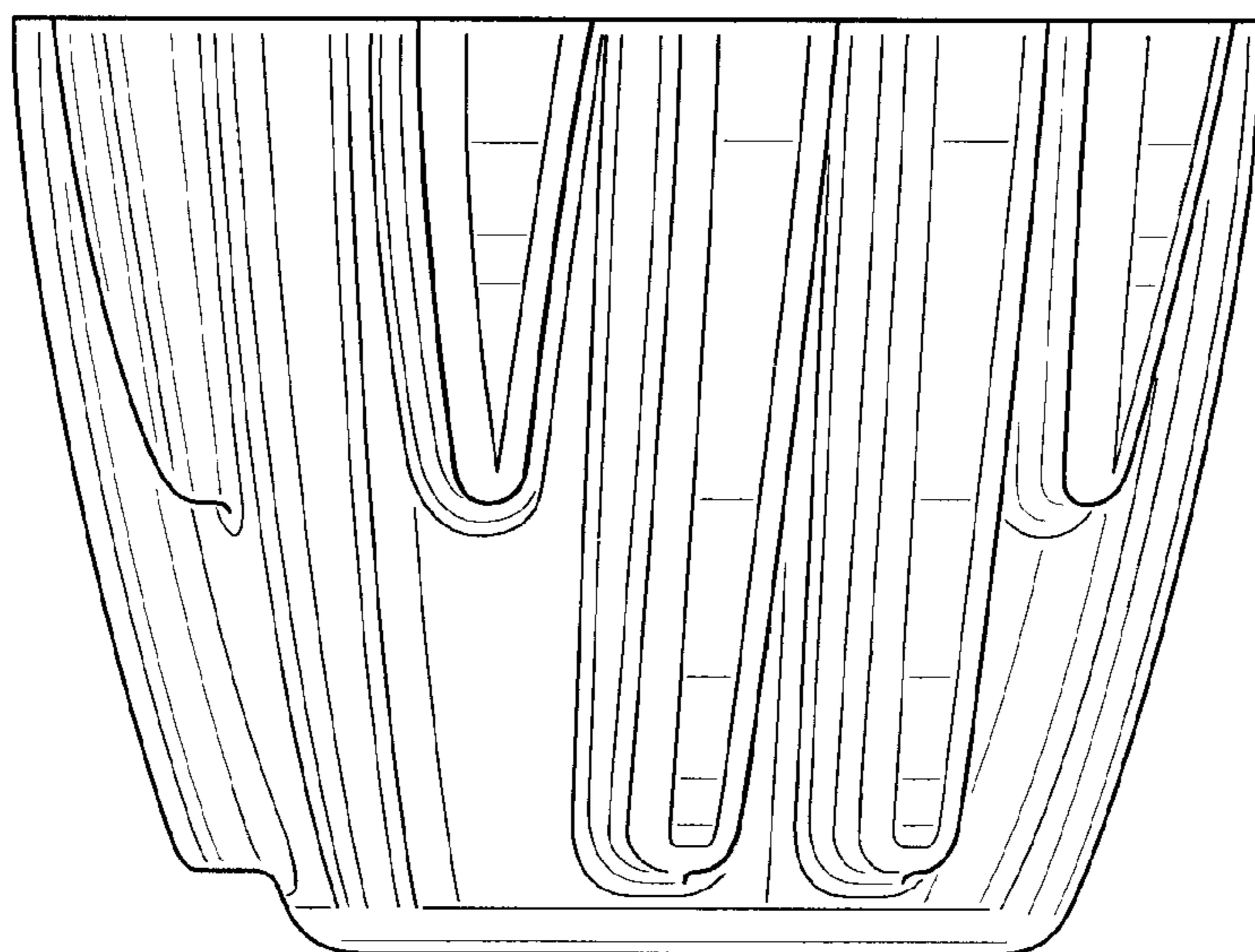


FIG. 12

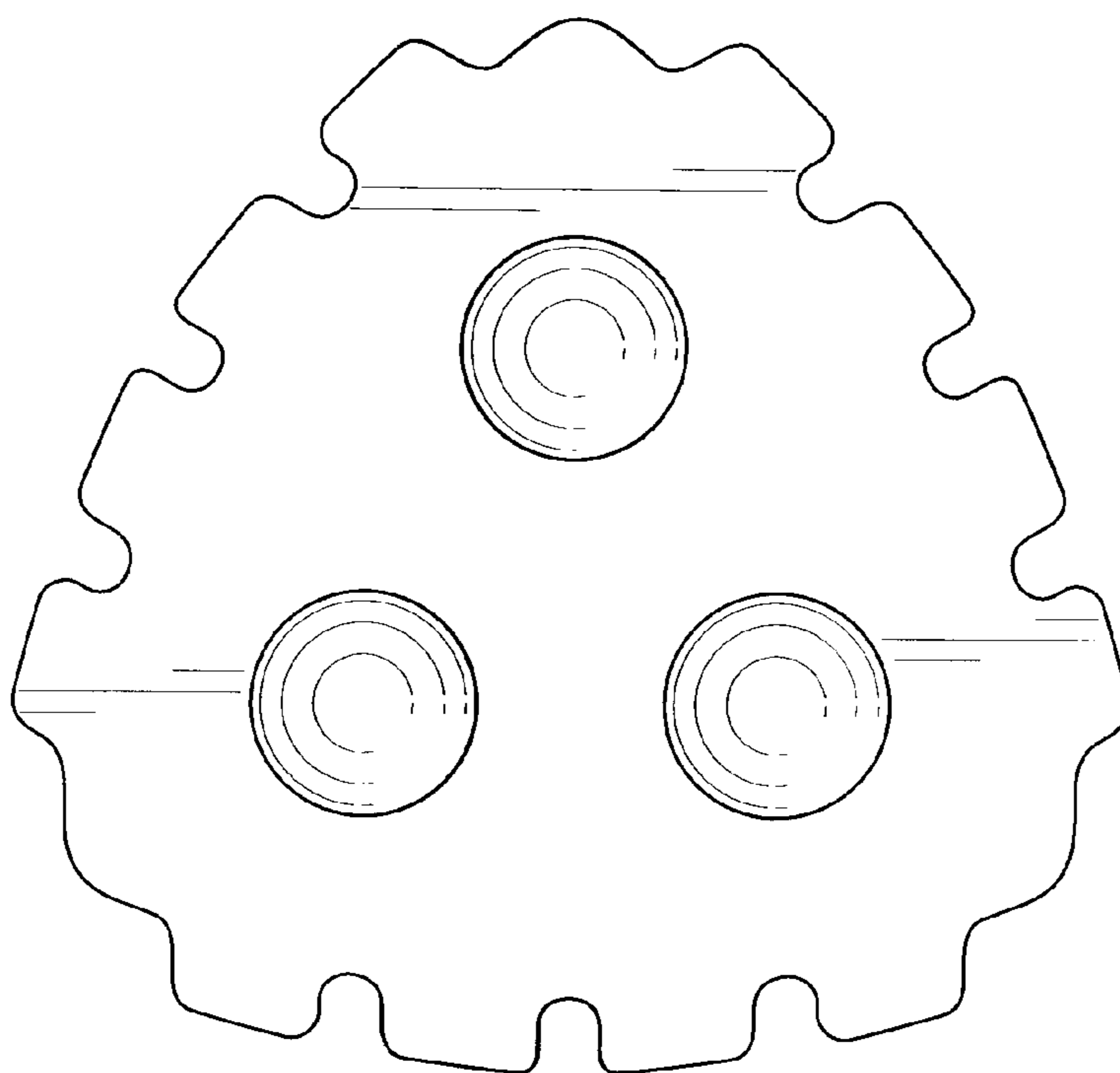


FIG. 13

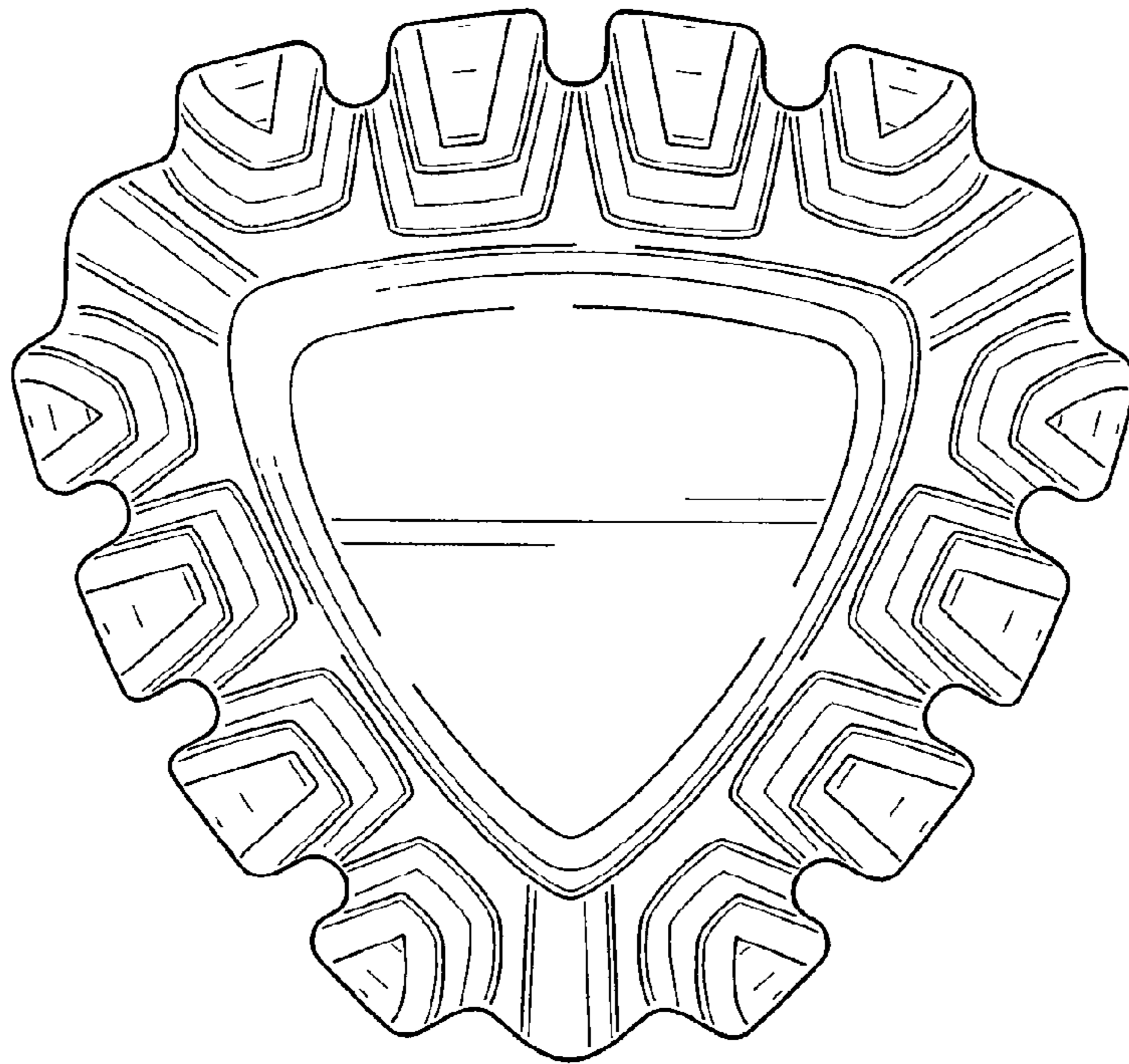


FIG. 14

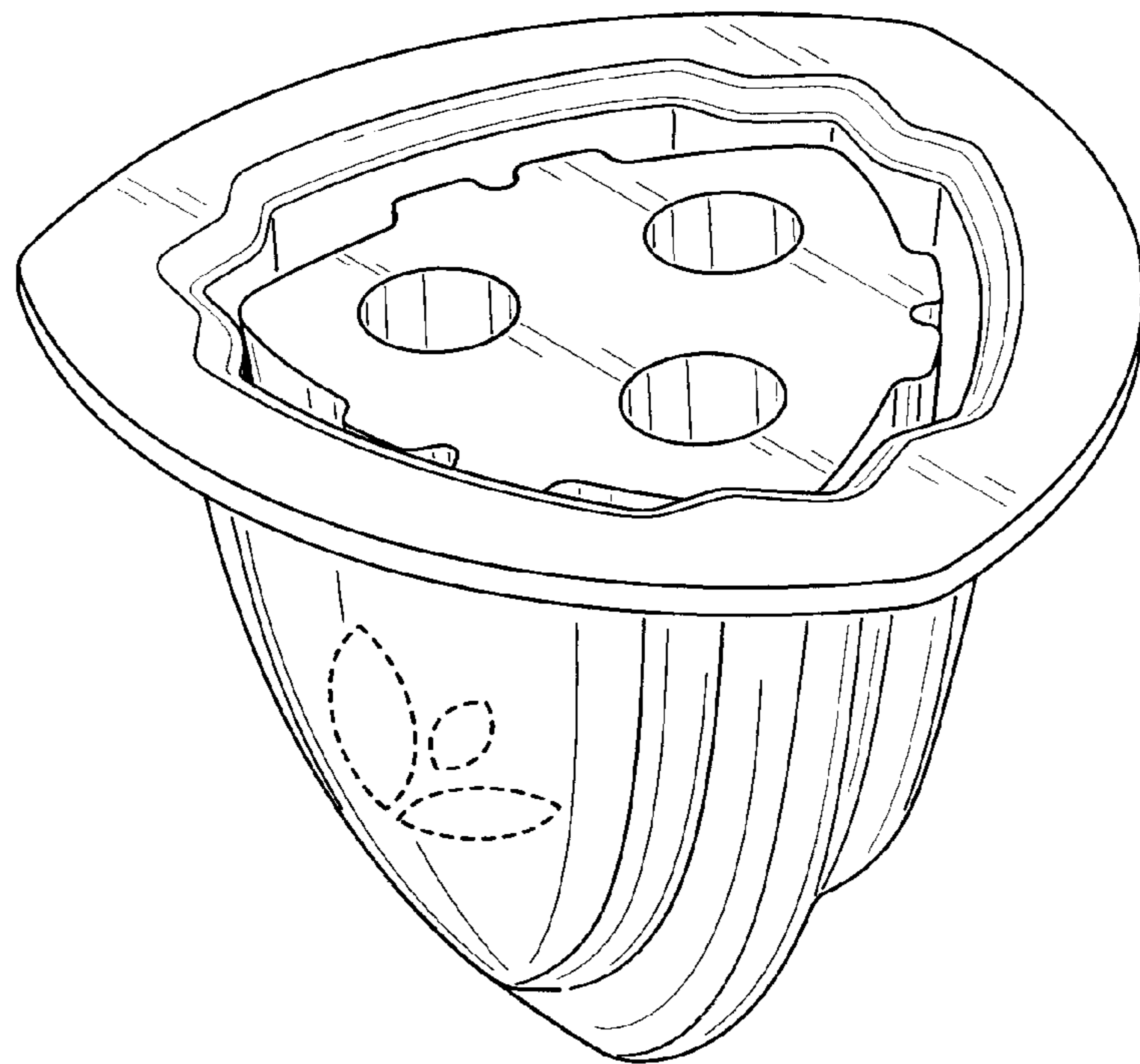


FIG. 15

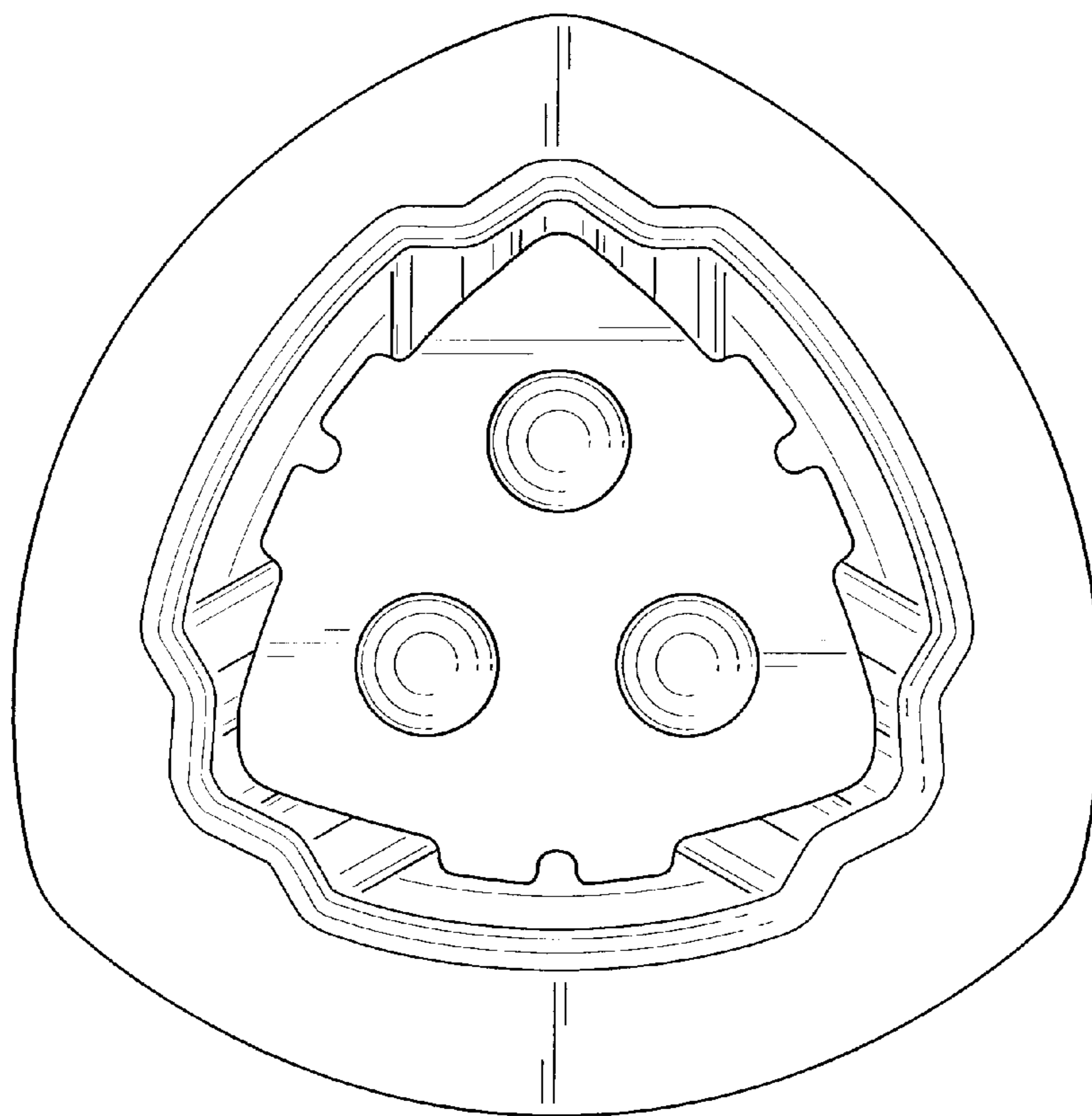


FIG. 16

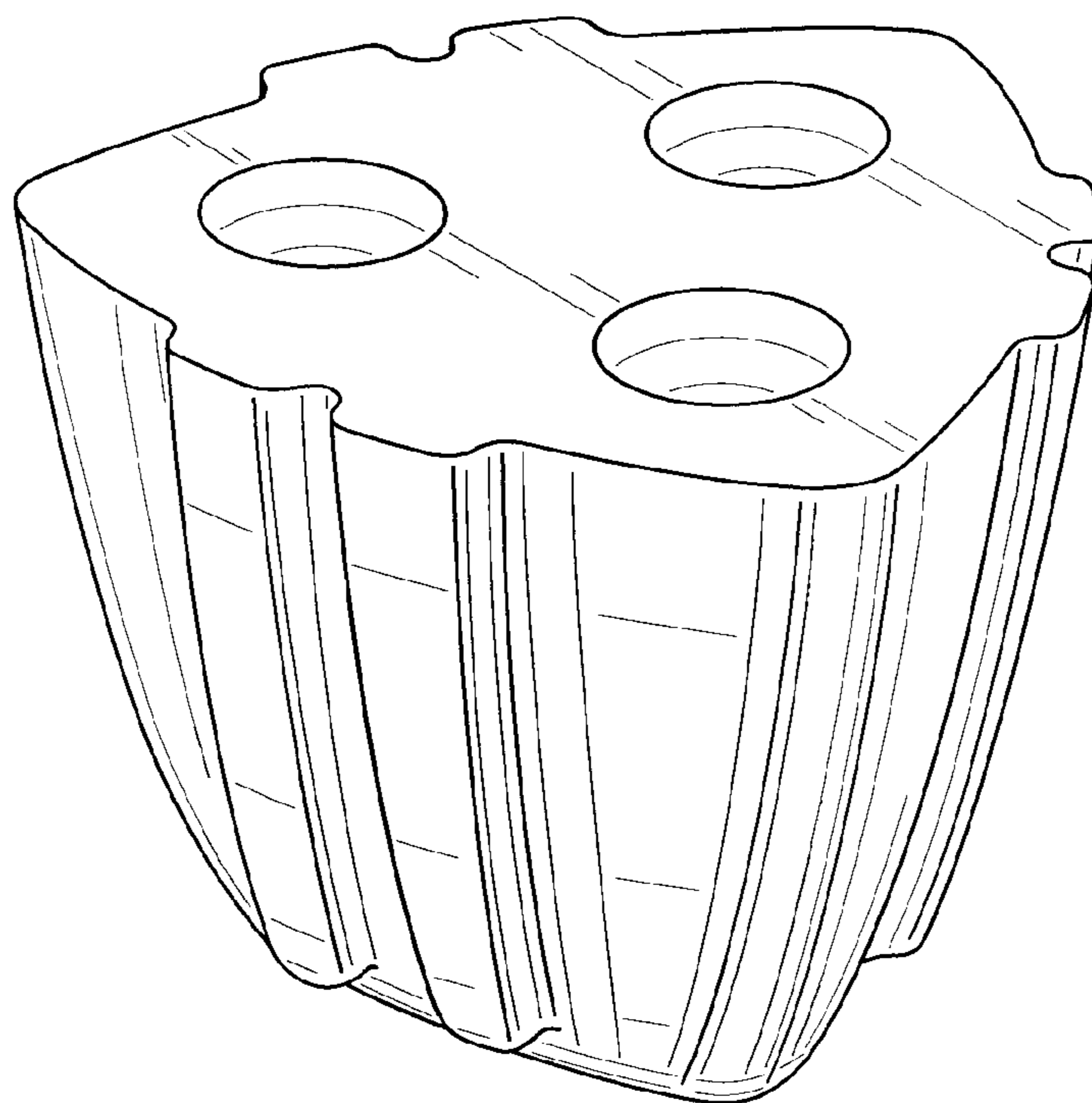


FIG. 17

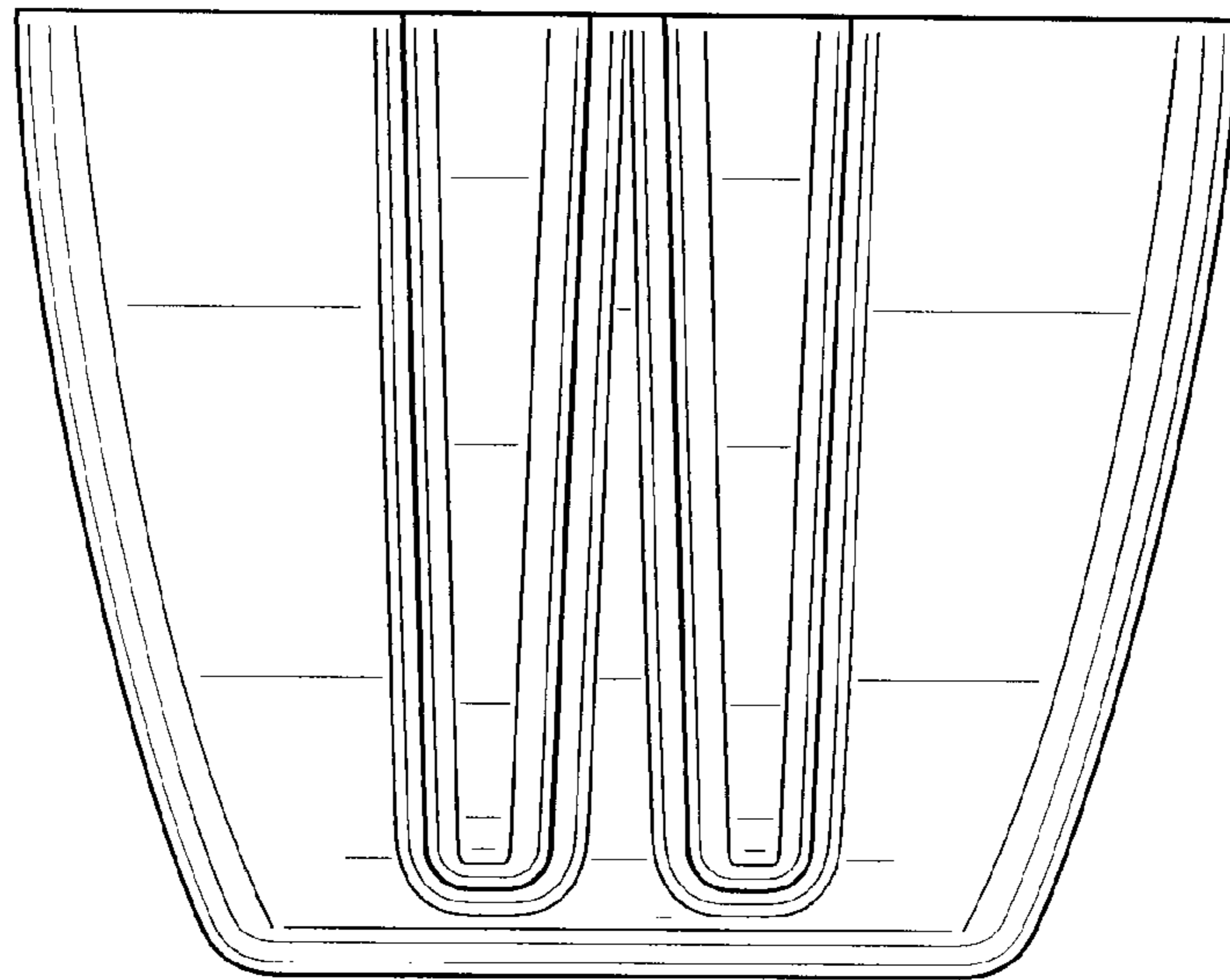


FIG. 18

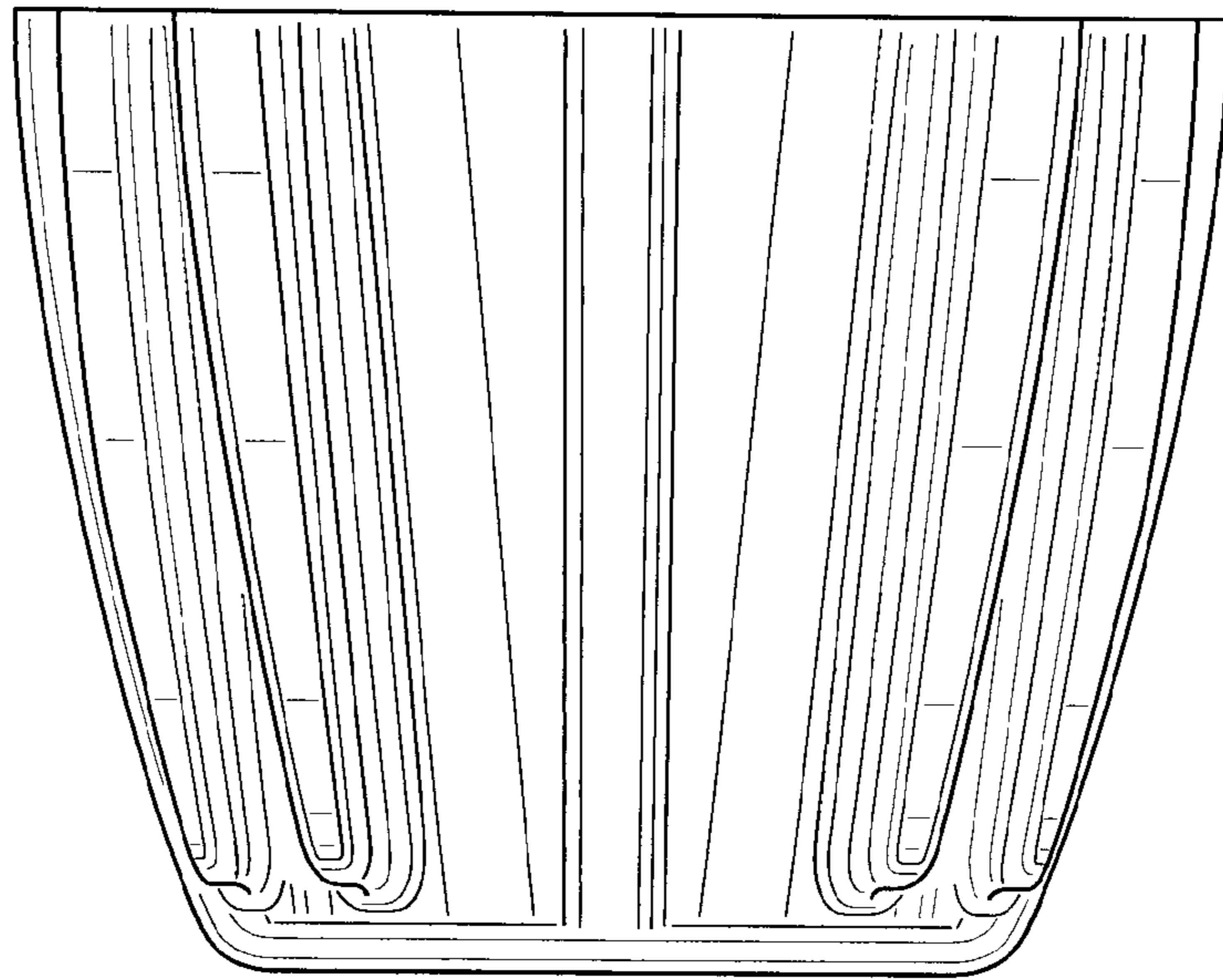


FIG. 19

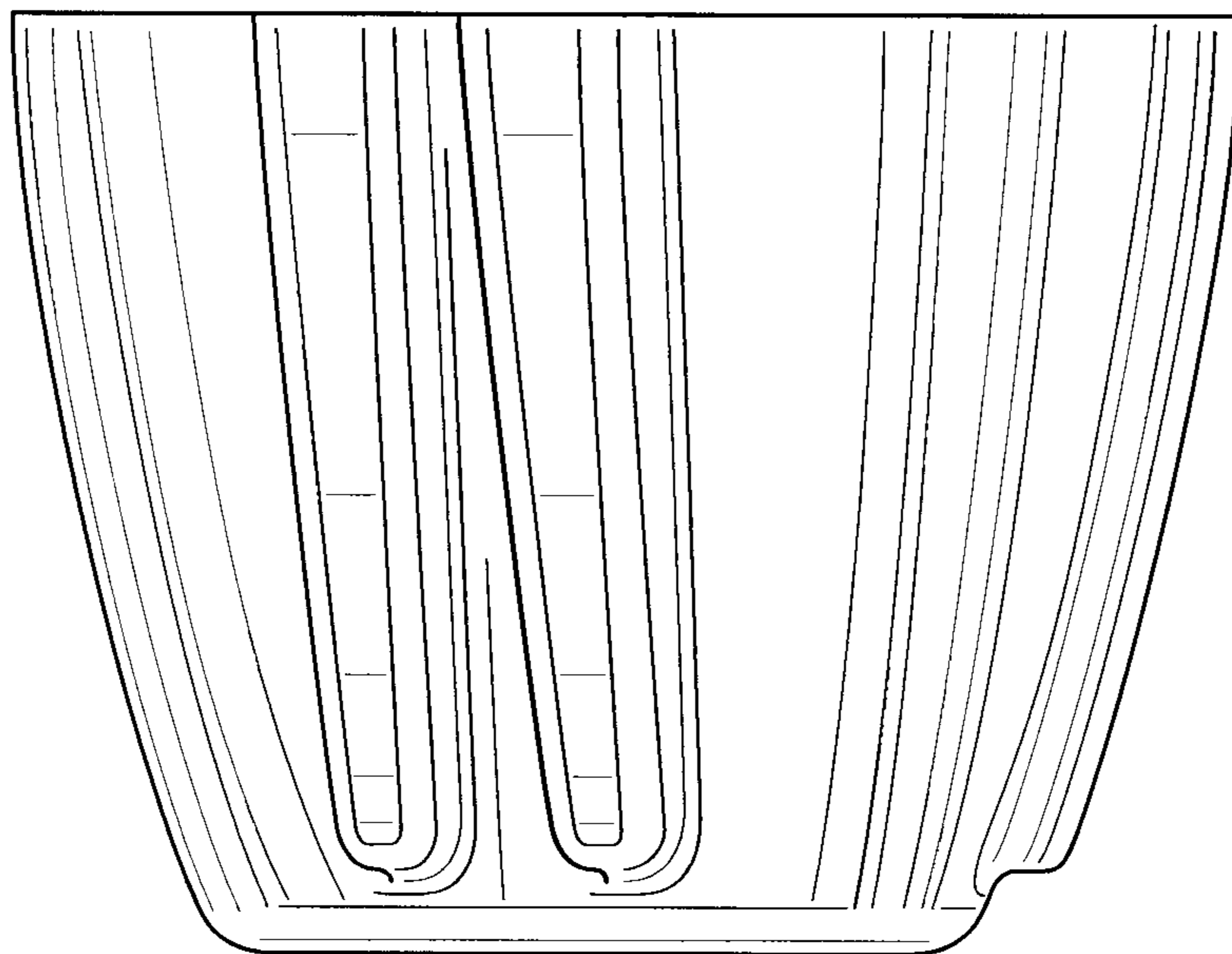


FIG. 20

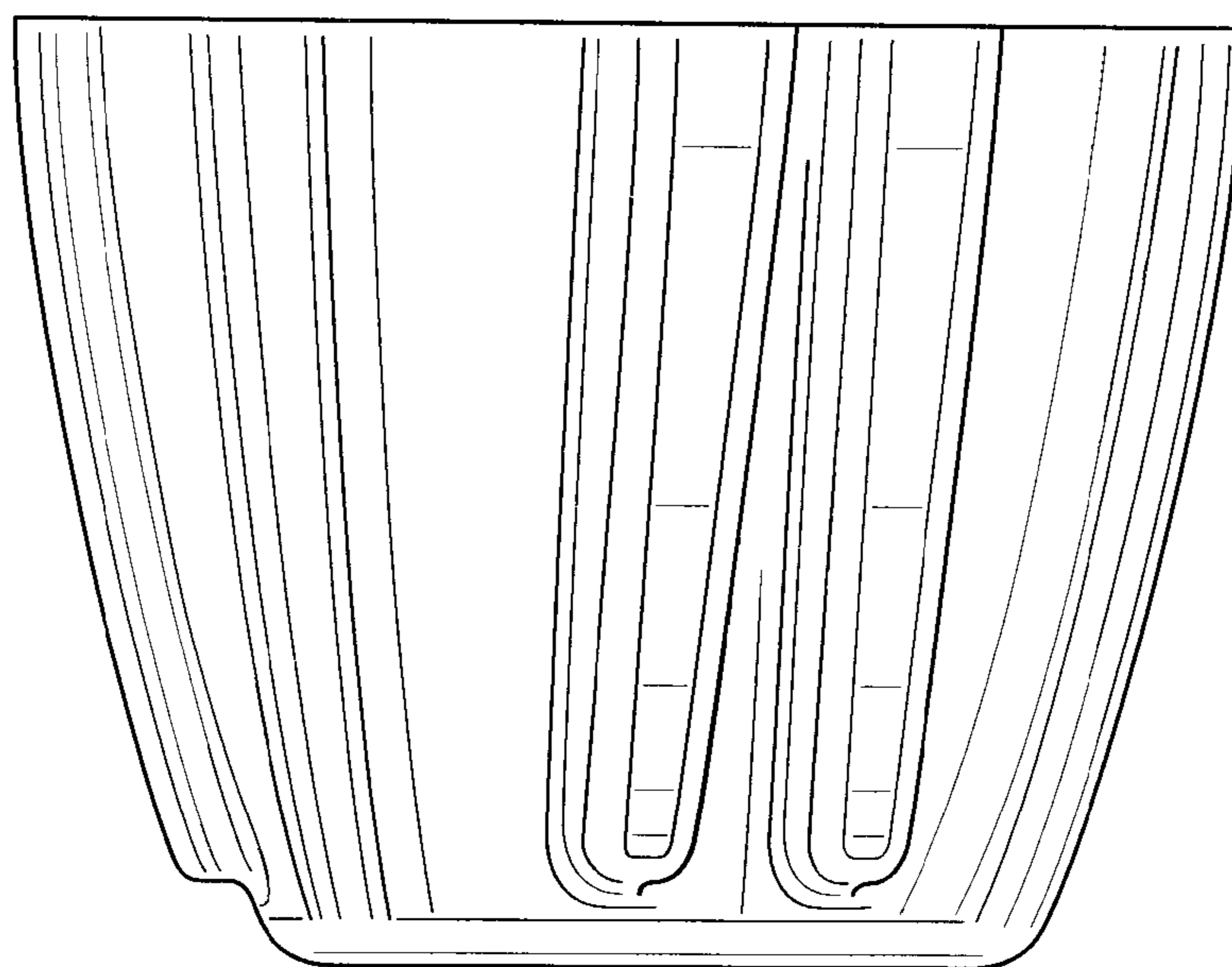


FIG. 21

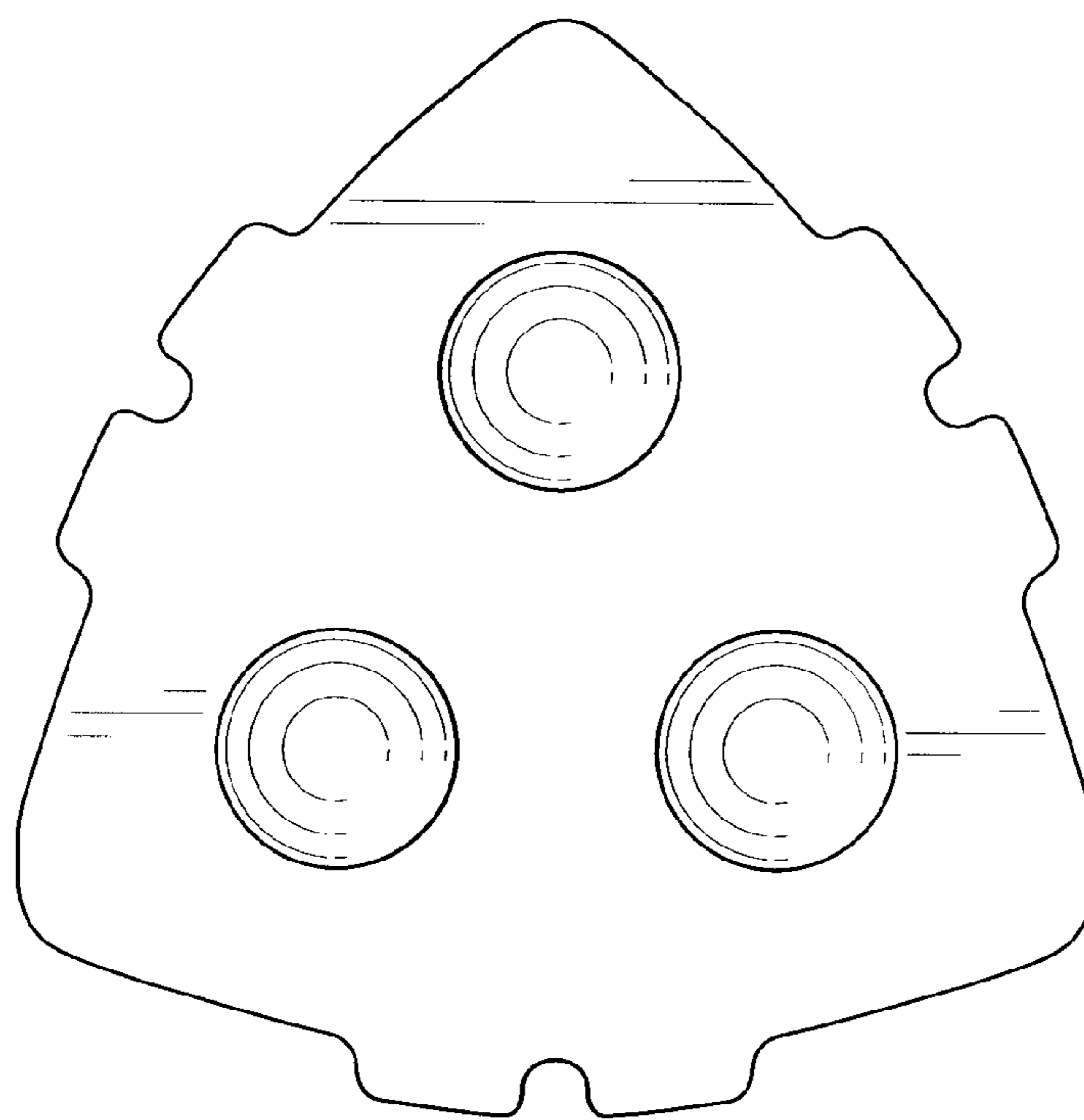


FIG. 22

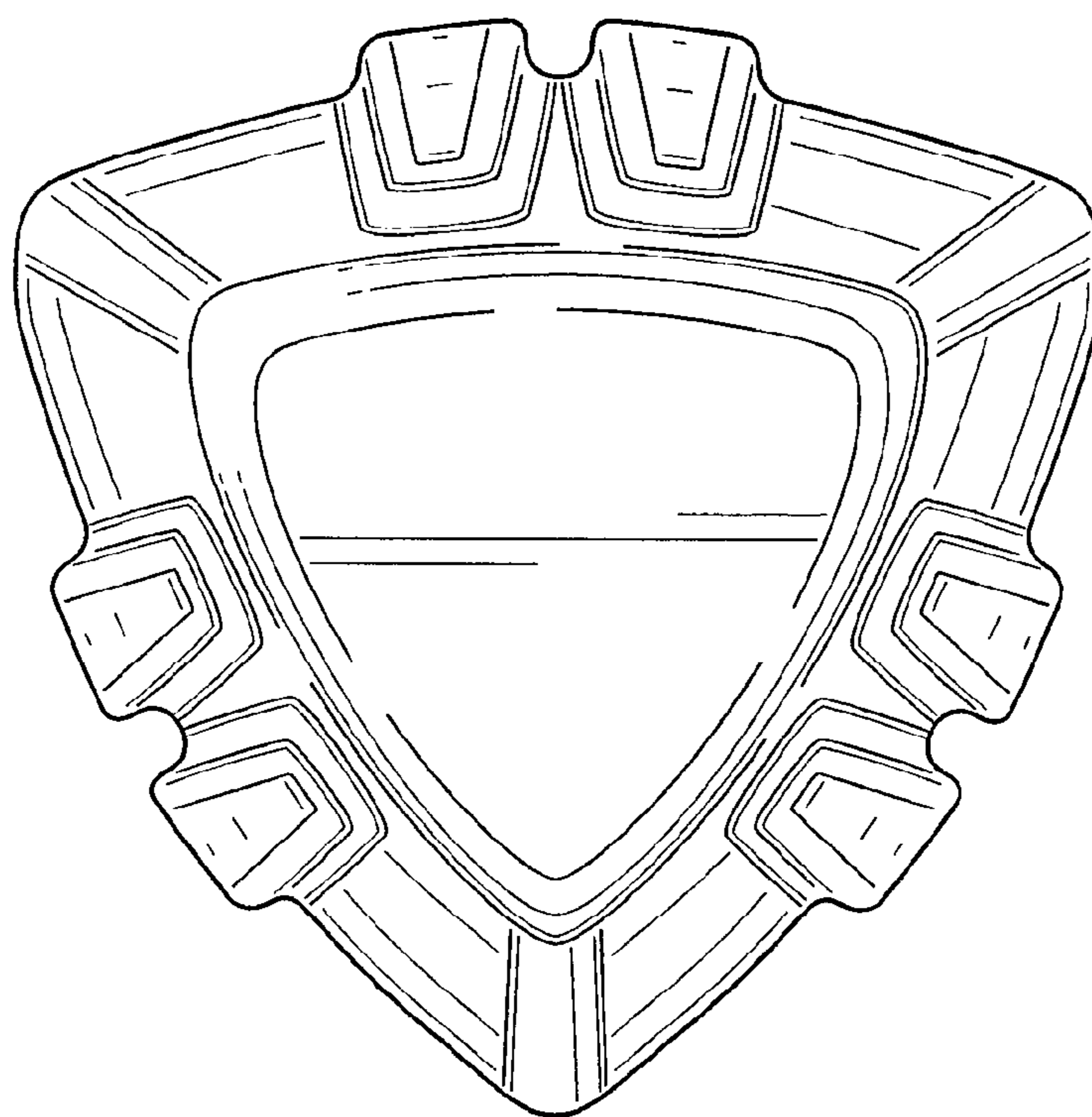


FIG. 23

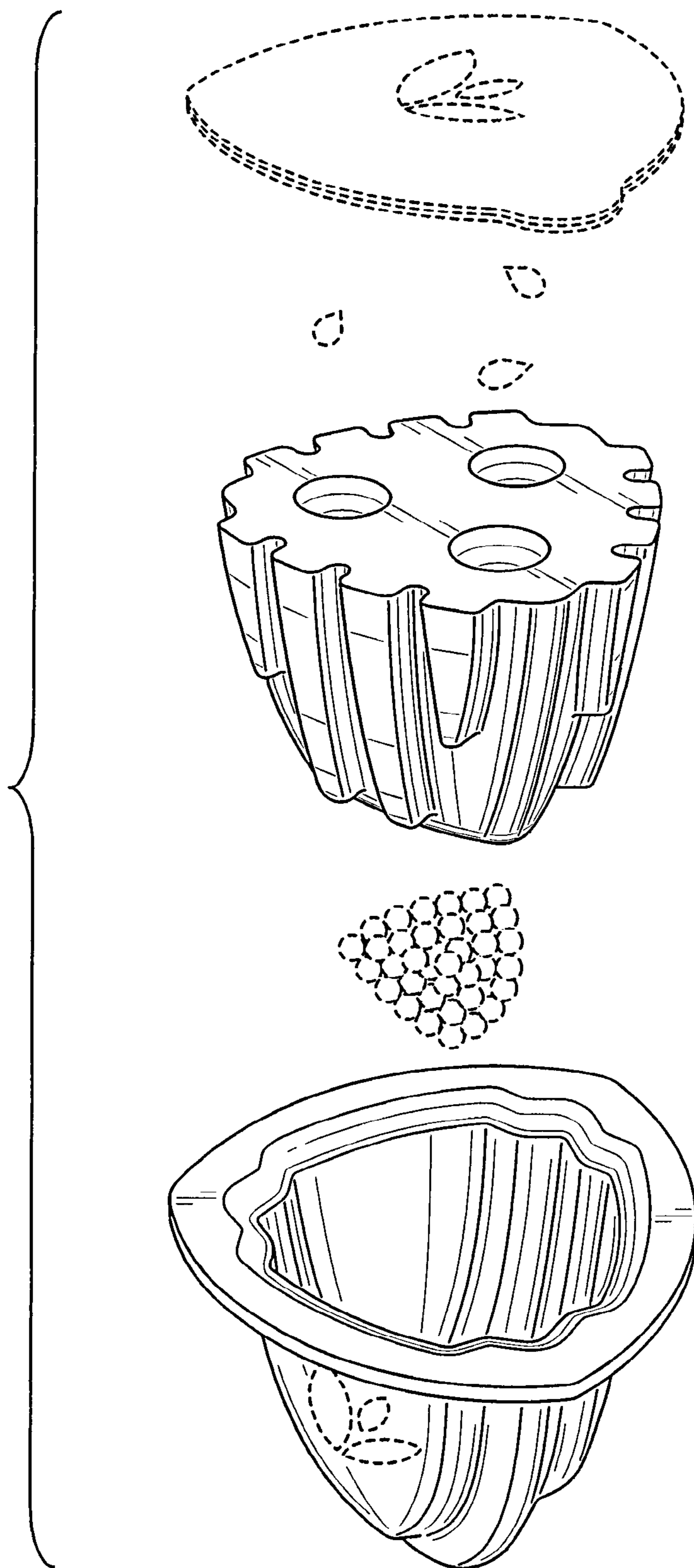


FIG. 24

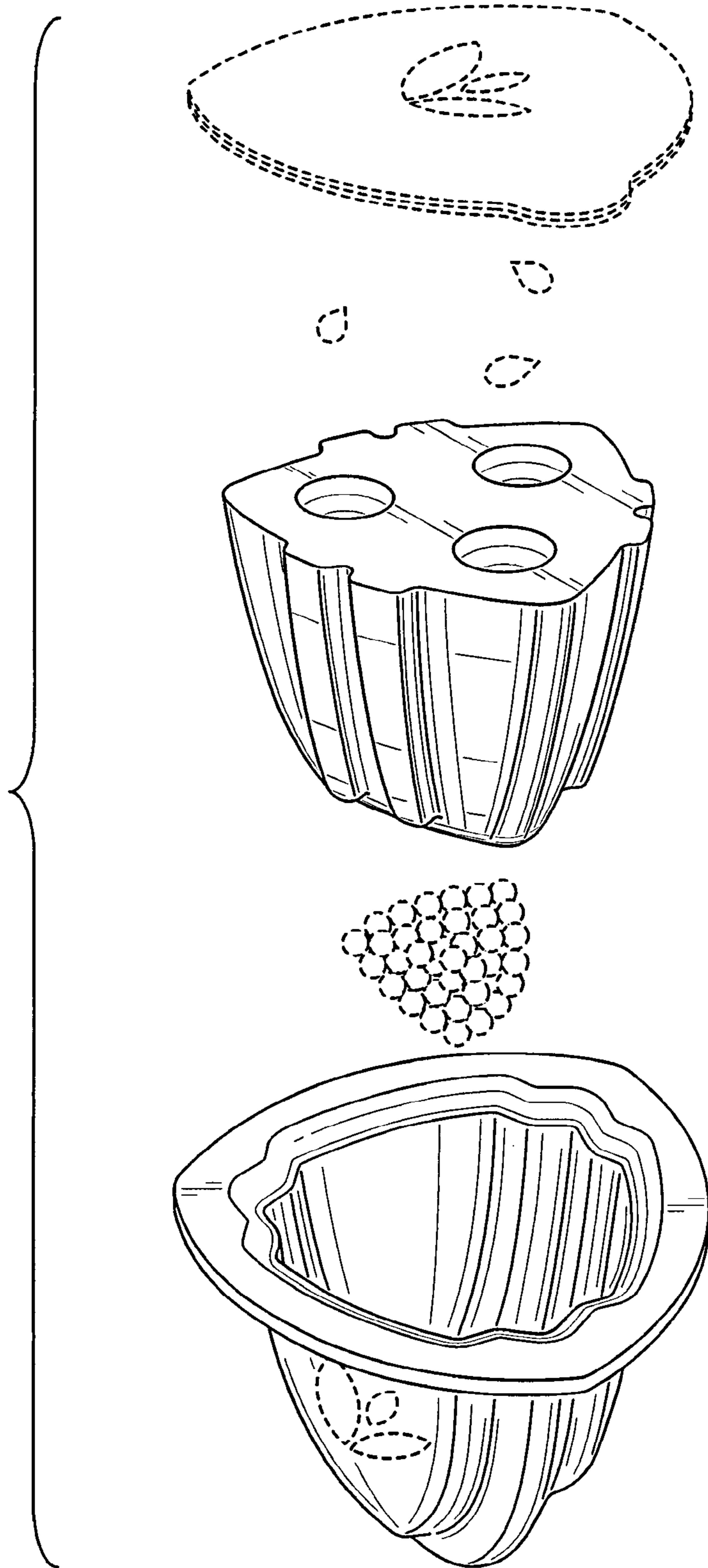


FIG. 25