



US00D721611S

(12) **United States Design Patent**  
**Beltran**

(10) **Patent No.:** **US D721,611 S**

(45) **Date of Patent:** **\*\* Jan. 27, 2015**

(54) **MEDALLION**

(71) Applicant: **CR Metals LC**, Ogden, UT (US)

(72) Inventor: **Jesus Beltran**, Ogden, UT (US)

(\*\*) Term: **14 Years**

(21) Appl. No.: **29/449,513**

(22) Filed: **Mar. 15, 2013**

(51) **LOC (10) Cl.** ..... **11-01**

(52) **U.S. Cl.**  
USPC ..... **D11/79**

(58) **Field of Classification Search**

CPC ..... A44C 1/00; A44C 3/00; A44C 3/001;  
A44C 3/004; A44C 17/02; A44C 17/0208;  
A44C 17/0258; A44C 17/0266; A44C 25/00;  
A44C 25/001; A44C 25/002; A44C 25/004;  
A44C 25/007

USPC ..... D11/1, 2, 7, 8, 40-44, 79-86, 91, 92,  
D11/87, 95, 97, 98; 63/1.11, 12, 13, 18, 19,  
63/20, 23, 26-28, 29.1, 29.2, 36

See application file for complete search history.

(56) **References Cited**

**U.S. PATENT DOCUMENTS**

D42,454 S \* 5/1912 Bliss ..... D11/80  
2,778,208 A \* 1/1957 Flint ..... 63/23  
D236,368 S \* 8/1975 Jacobsen ..... D11/84

D274,417 S \* 6/1984 Capodilupo ..... D11/105  
D301,318 S \* 5/1989 Yoshida ..... D11/79  
D315,119 S \* 3/1991 Freeman et al. .... D11/115  
D325,713 S \* 4/1992 Pierce ..... D11/99  
D326,068 S \* 5/1992 Pierce ..... D11/99  
D326,242 S \* 5/1992 Pierce ..... D11/99  
D383,698 S \* 9/1997 Fletcher ..... D11/40  
D455,097 S \* 4/2002 Salvarani ..... D11/79  
D459,266 S \* 6/2002 Rizzetto ..... D11/79  
8,429,840 B2 \* 4/2013 Mottola ..... 40/590

\* cited by examiner

*Primary Examiner* — Garth Rademaker

*Assistant Examiner* — Melanie Pellegrini

(74) *Attorney, Agent, or Firm* — Bateman IP

(57) **CLAIM**

The ornamental design for a medallion, as shown and described.

**DESCRIPTION**

FIG. 1 shows a perspective view of a medallion of the present invention;

FIG. 2 is a front elevational view thereof;

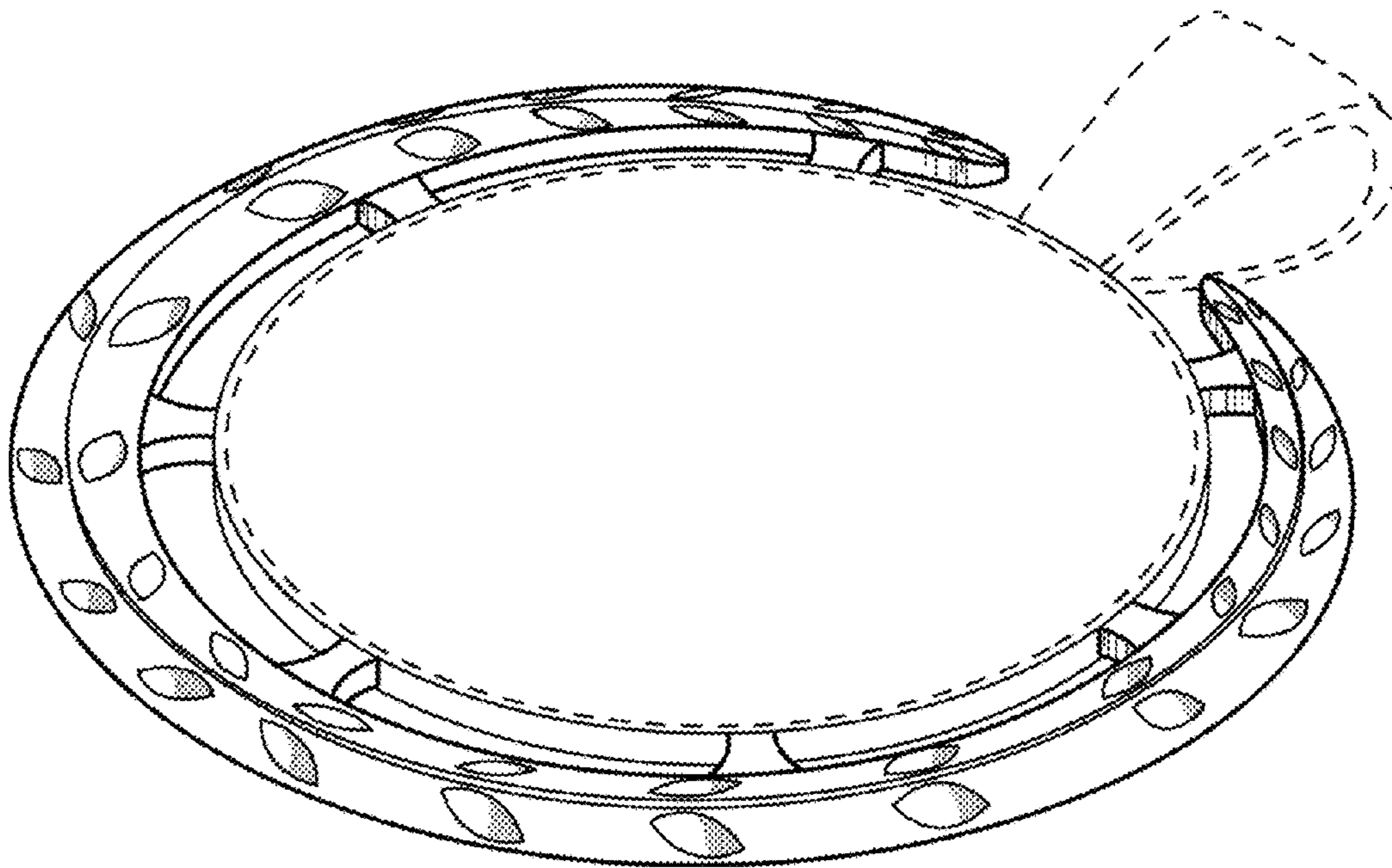
FIG. 3 is a right side elevational view thereof, the left side elevational view being a mirror image thereof;

FIG. 4 is a top plan view thereof; and,

FIG. 5 is a bottom plan view thereof.

The broken lines shown in the drawings illustrate portions of the medallion that form no part of the claimed design.

**1 Claim, 4 Drawing Sheets**



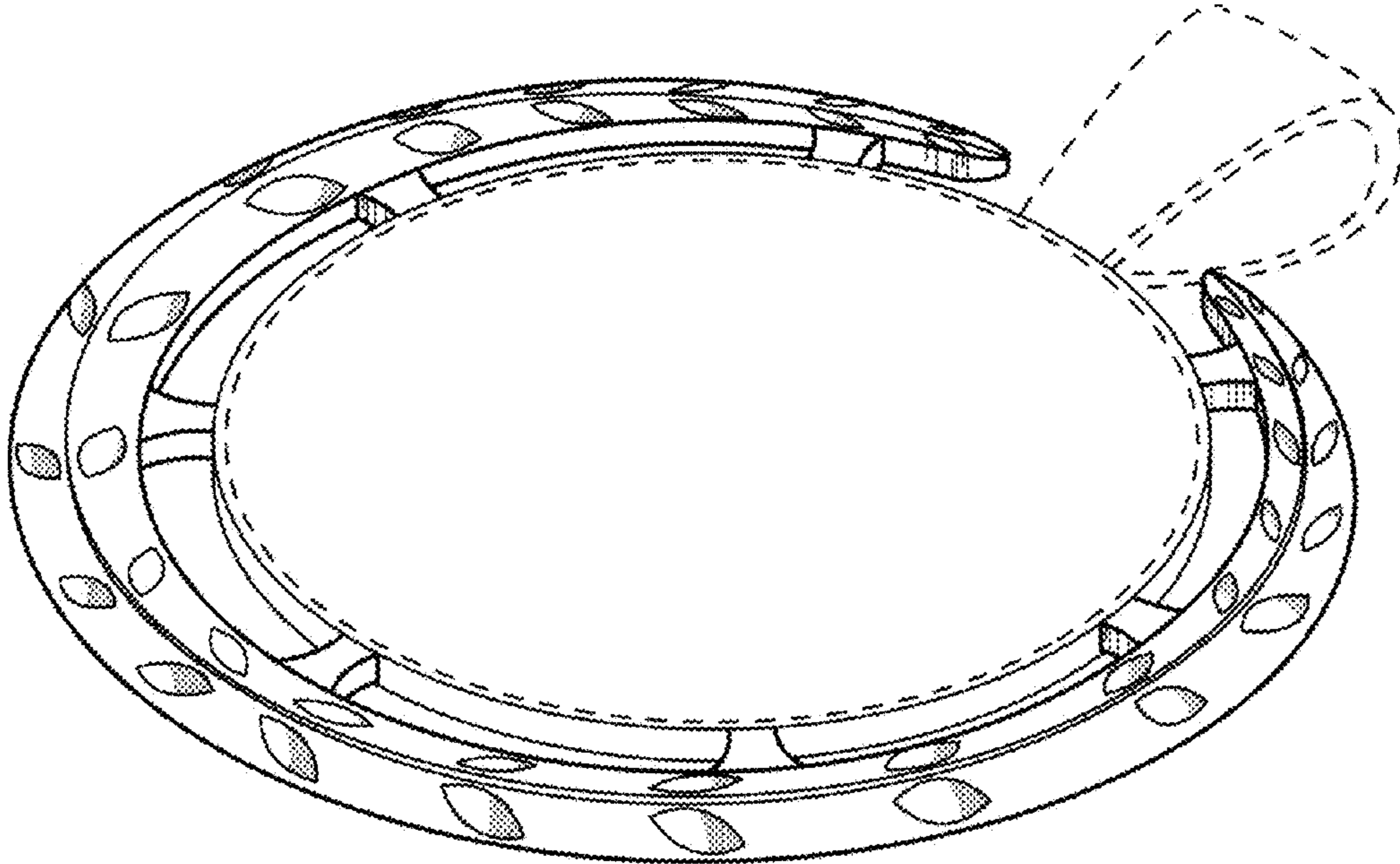


FIG. 1

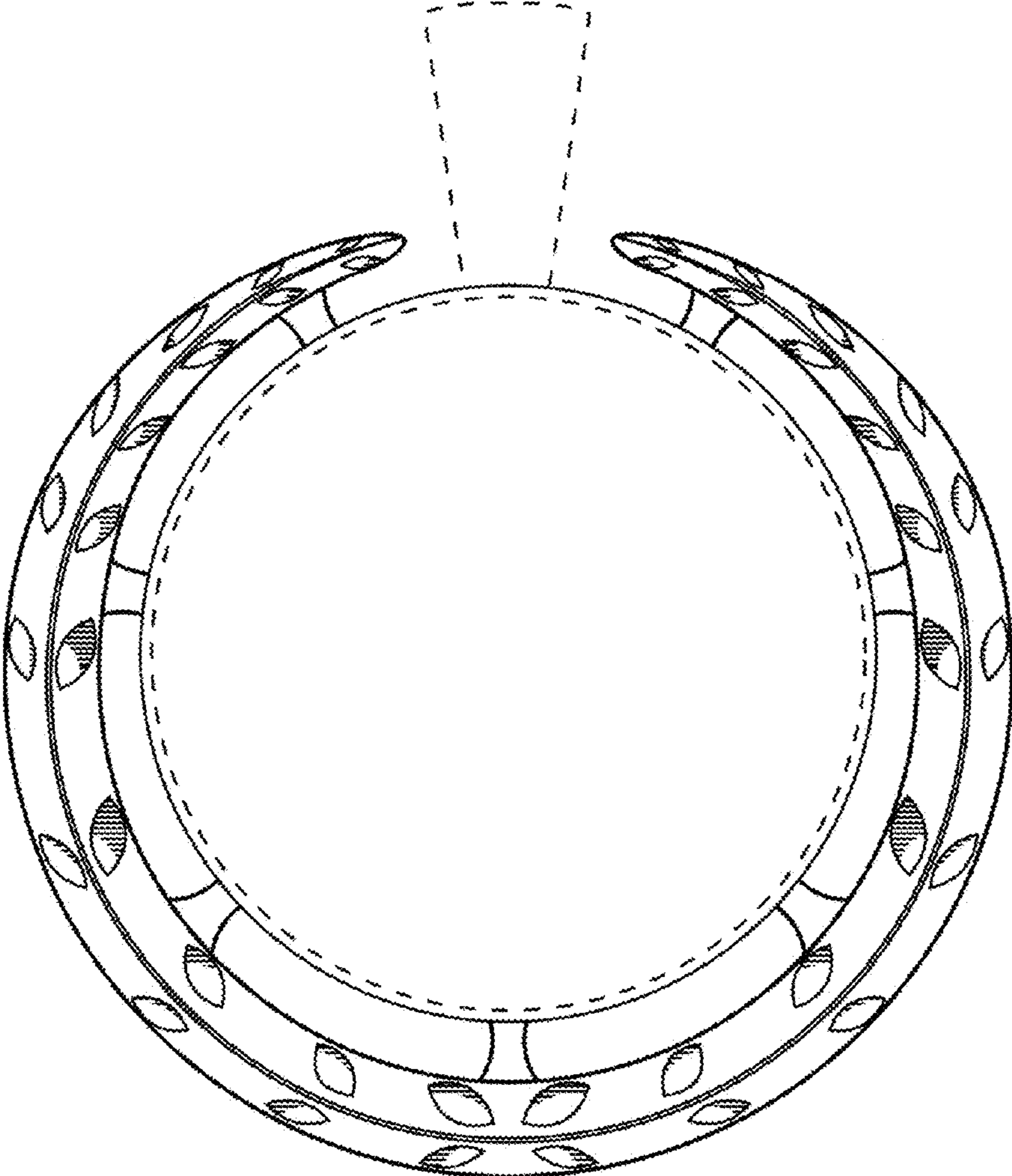


FIG. 2

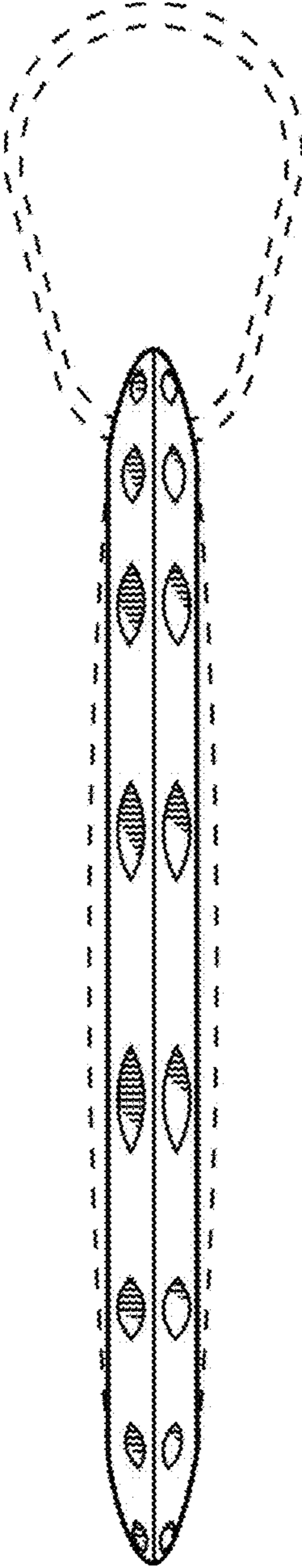


FIG. 3



FIG. 4

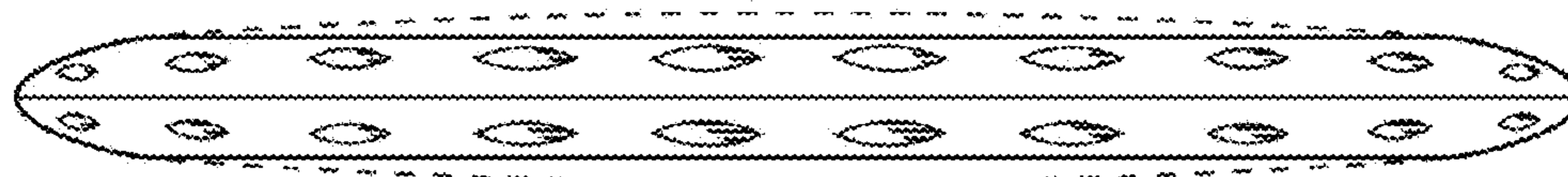


FIG. 5