



US00D721610S

(12) **United States Design Patent**  
**Tavone**

(10) **Patent No.:** **US D721,610 S**  
(45) **Date of Patent:** **\*\* Jan. 27, 2015**

(54) **BAND WITH CIRCULAR ATTACHMENT**

(71) Applicant: **John H. Tavone**, Fort Lauderdale, FL  
(US)

(72) Inventor: **John H. Tavone**, Fort Lauderdale, FL  
(US)

(\*\*) Term: **14 Years**

(21) Appl. No.: **29/460,247**

(22) Filed: **Jul. 9, 2013**

(51) **LOC (10) Cl.** ..... **11-01**

(52) **U.S. Cl.**  
USPC ..... **D11/78.1**

(58) **Field of Classification Search**  
CPC ..... A44B 21/00; A45C 11/00; A45C 11/18  
USPC ..... D11/78.1, 215; D3/215, 247; 40/630,  
40/633; D19/26; 244/222; D8/395; 24/60,  
24/485, 178; 206/37

See application file for complete search history.

(56) **References Cited**

**U.S. PATENT DOCUMENTS**

152,876	A *	7/1874	Smith	.....	24/17 A
212,578	A *	2/1879	Smith	.....	24/17 A
5,279,019	A *	1/1994	Knickle	.....	24/17 B
D428,823	S *	8/2000	Davi	.....	D11/78.1
6,230,878	B1 *	5/2001	Lehr	.....	206/37

D447,438	S *	9/2001	DiLibero	.....	D11/78.1
D527,898	S	9/2006	Tavone		
7,125,049	B2	10/2006	Goldberg et al.		
D534,584	S	1/2007	Goldberg et al.		
D537,752	S	3/2007	Goldberg et al.		
D587,158	S *	2/2009	Trapani et al.	.....	D11/78.1
7,748,086	B2 *	7/2010	Bridgefarmer	.....	24/17 B
8,240,010	B2 *	8/2012	O'Donnell	.....	24/67.5
8,621,723	B2 *	1/2014	Meissner	.....	24/3.1
D707,584	S *	6/2014	Webb	.....	D11/87
2005/0225074	A1	10/2005	Goldberg et al.		

\* cited by examiner

*Primary Examiner* — Ralf Seifert

(74) *Attorney, Agent, or Firm* — Millen, White, Zelano & Branigan, P.C.

(57) **CLAIM**

The ornamental design for a band with circular attachment, as shown and described.

**DESCRIPTION**

FIG. 1 is a perspective view of the band with circular attachment in an environment of use showing my new design.

FIG. 2 is another perspective view thereof.

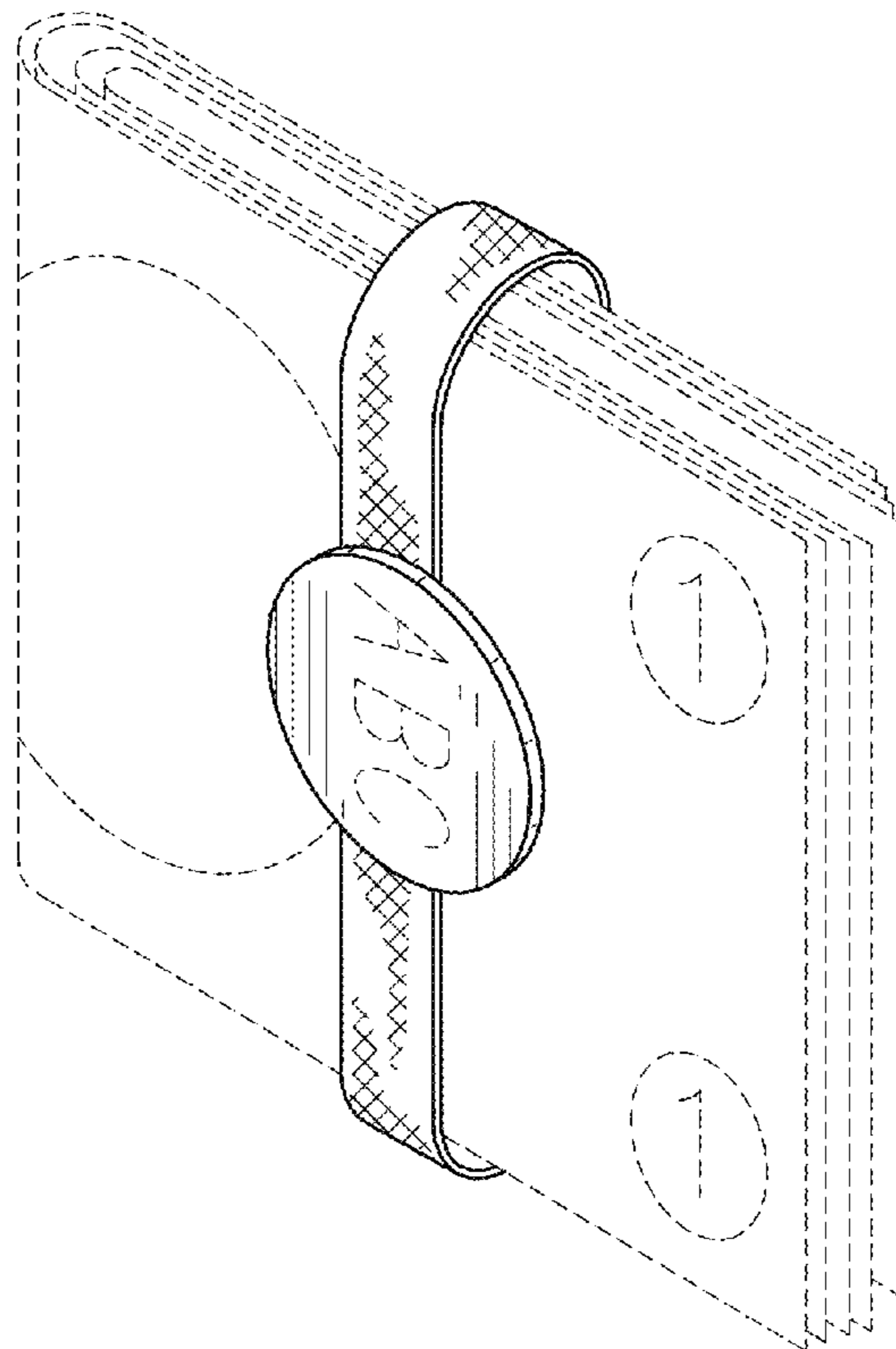
FIG. 3 is a front view thereof.

FIG. 4 is a back view thereof.

FIG. 5 is a side view thereof; and,

FIG. 6 is top view thereof.

**1 Claim, 3 Drawing Sheets**



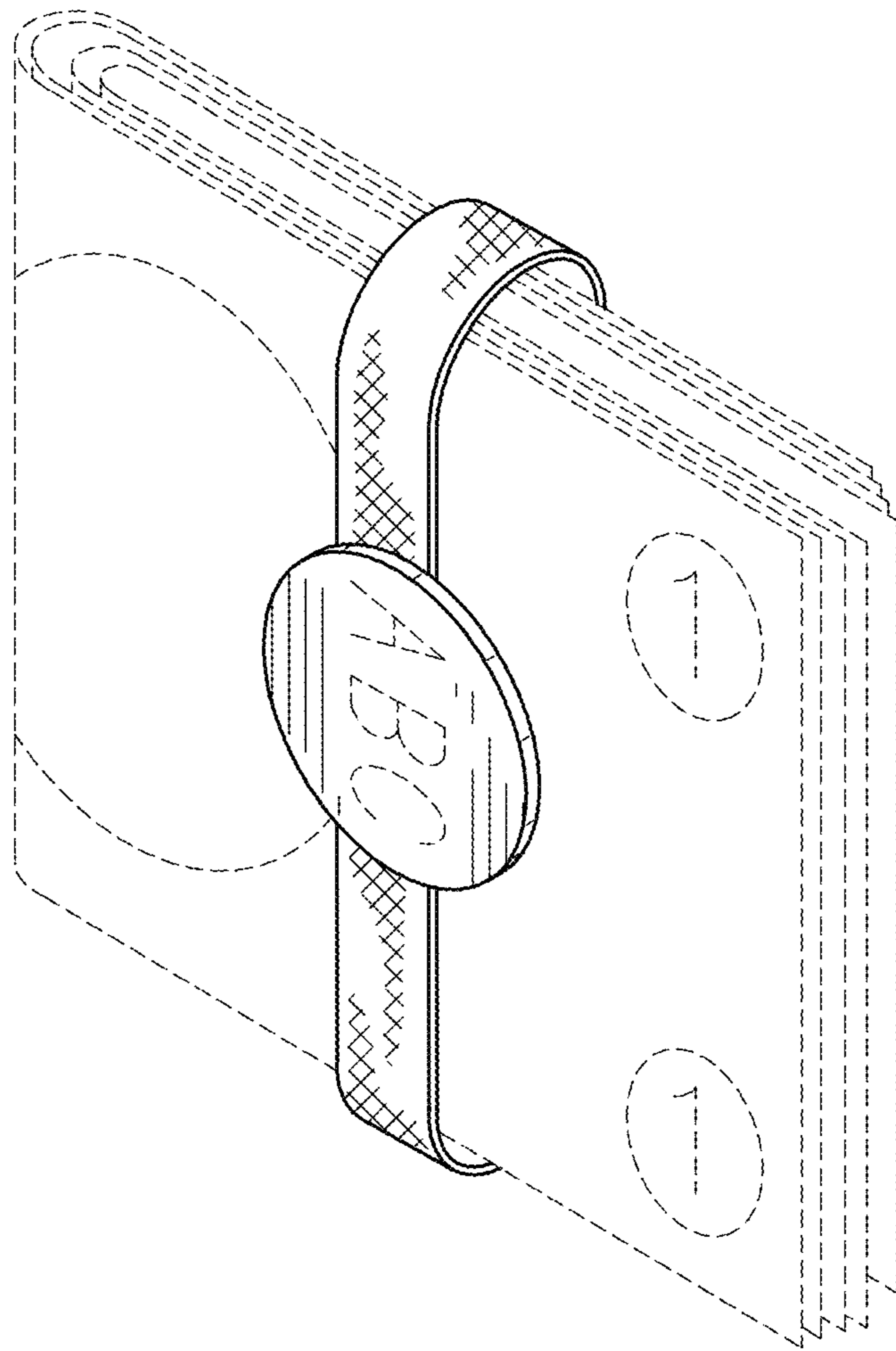


FIG. 1

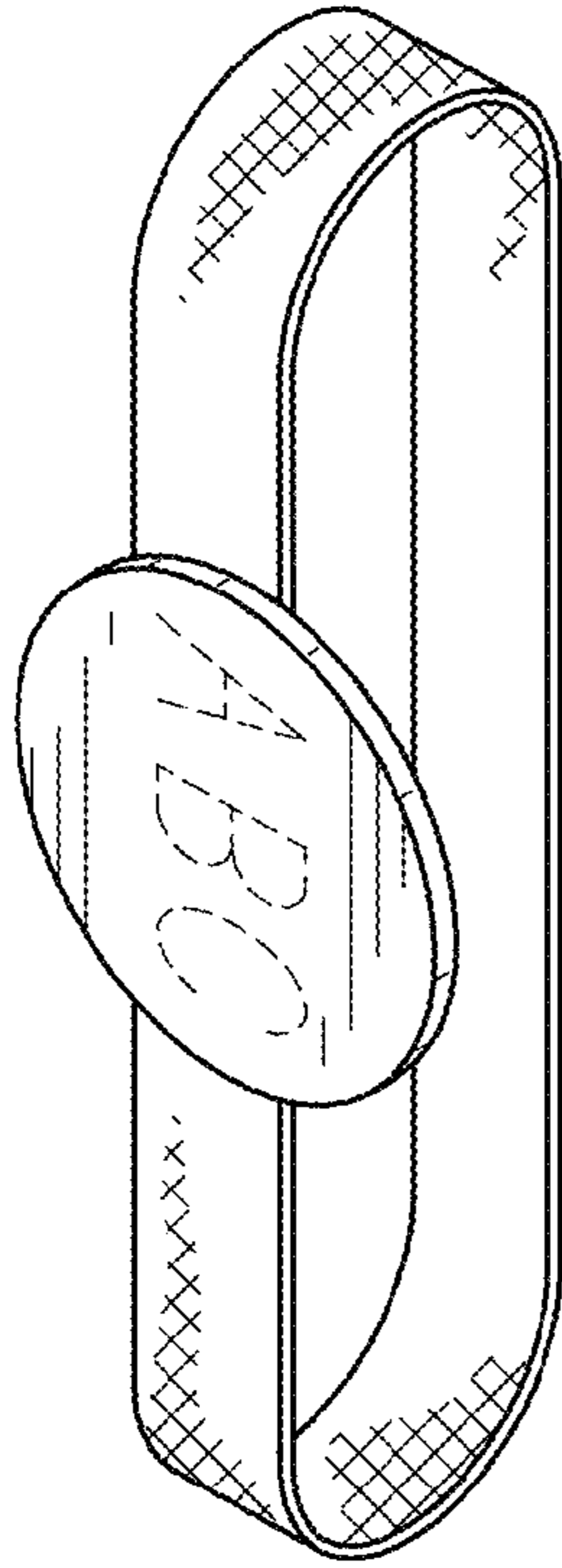


FIG. 2

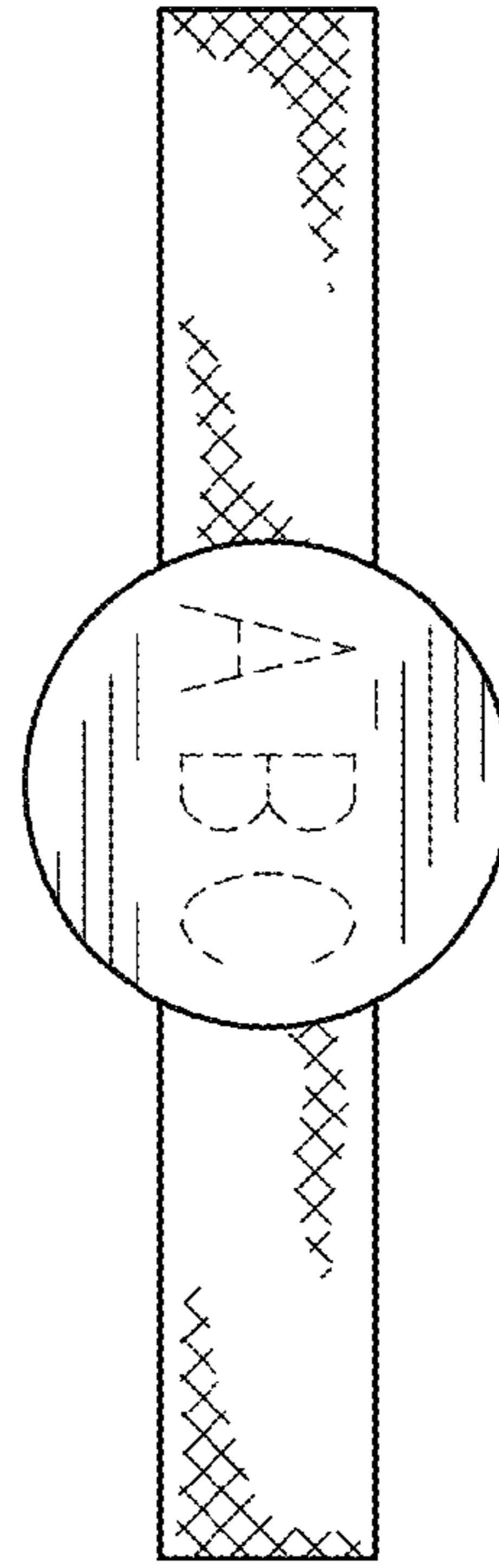


FIG. 3

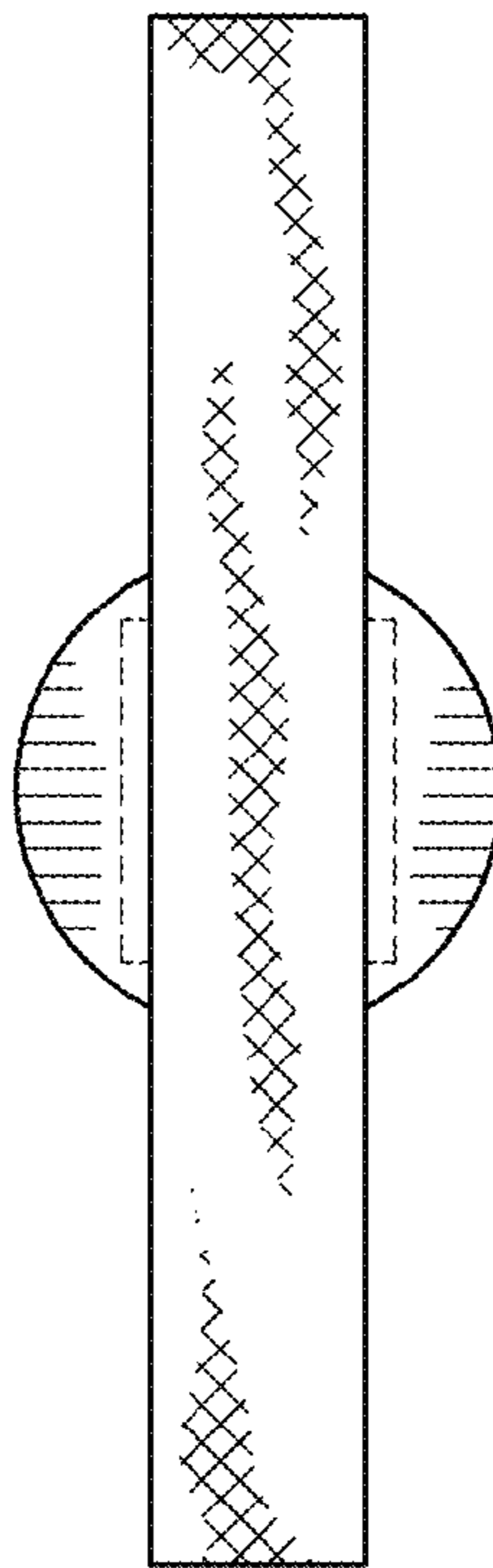


FIG. 4

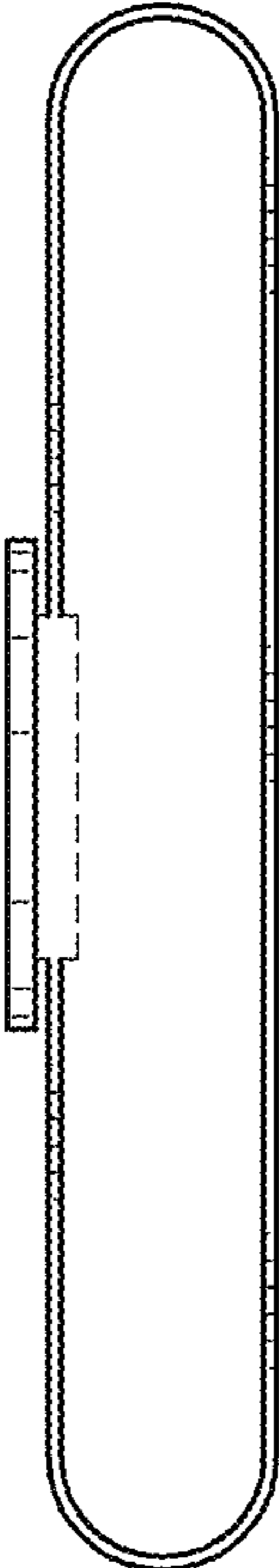


FIG.5

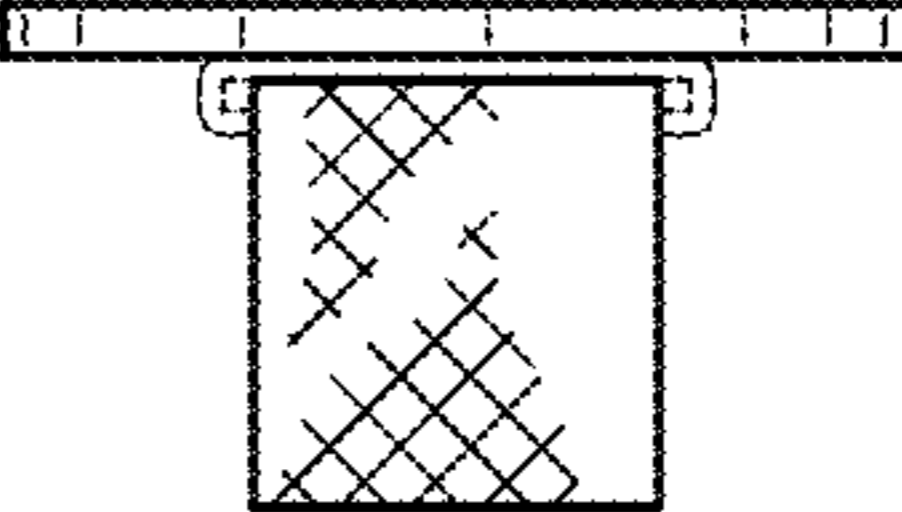


FIG.6