



US00D721609S

(12) **United States Design Patent**  
**Duddy**

(10) **Patent No.:** **US D721,609 S**  
(45) **Date of Patent:** **\*\* Jan. 27, 2015**

(54) **WRISTBAND**

(71) Applicant: **JayBird LLC**, Salt Lake City, UT (US)

(72) Inventor: **Stephen Duddy**, Moama (AU)

(73) Assignee: **JayBird LLC**, Salt Lake City, UT (US)

(\*\*) Term: **14 Years**

(21) Appl. No.: **29/478,557**

(22) Filed: **Jan. 6, 2014**

(51) **LOC (10) Cl.** ..... **11-01**

(52) **U.S. Cl.**  
USPC ..... **D11/3**

(58) **Field of Classification Search**  
USPC ..... D11/1-30, 79, 81, 82, 84, 86, 89, 162,  
D11/200, 213, 216, 220; 63/1.11, 1.13,  
63/1.14, 1.15, 1.16, 3, 3.1, 3.2, 4, 5.1, 7, 9,  
63/10, 11, 12, 15, 15.1, 15.2, 15.3, 15.45,  
63/15.5, 15.9, 24, 26, 33, 40, 41;  
D10/30-32, 38, 46; D30/151-153;  
D7/632, 633, 634; 224/219;  
362/103-108; D24/206

See application file for complete search history.

(56) **References Cited**

**U.S. PATENT DOCUMENTS**

2,128,644	A *	8/1938	Gittler	63/15
2,146,426	A *	2/1939	Gittler	63/15
3,790,775	A *	2/1974	Rosenblatt	D30/152
D247,482	S *	3/1978	Schupp	D11/4
D261,244	S *	10/1981	Scola	D11/27
4,903,176	A *	2/1990	Chen	63/3
D343,590	S *	1/1994	Dubs	D11/20
5,431,028	A *	7/1995	Lampert et al.	63/33
D392,585	S *	3/1998	Kohl	D11/26

6,032,485	A *	3/2000	Steinberg	63/15
D503,902	S *	4/2005	Shelton	D11/4
D520,895	S *	5/2006	Emery et al.	D11/6
7,107,789	B1 *	9/2006	Bruner	63/15.7
D586,331	S *	2/2009	Francz et al.	D14/218
D603,287	S *	11/2009	Dzurek	D11/3
D655,420	S *	3/2012	Bowles	D24/206
D671,858	S *	12/2012	Cobbett et al.	D11/3
D684,082	S *	6/2013	Alvarez et al.	D11/3
D688,585	S *	8/2013	Ohnemus et al.	D11/3
2004/0134228	A1 *	7/2004	Sills	63/15.5
2008/0053146	A1 *	3/2008	Burress	63/3
2008/0068933	A1 *	3/2008	Chevalier et al.	368/282
2012/0036893	A1 *	2/2012	Forero et al.	63/3
2014/0137600	A1 *	5/2014	Rich et al.	63/11

\* cited by examiner

*Primary Examiner* — Garth Rademaker

*Assistant Examiner* — Llorellys Martinez-Rivera

(74) *Attorney, Agent, or Firm* — Sheppard Mullin Richter & Hampton LLP

(57) **CLAIM**

I claim the ornamental design for a wristband, as shown and described.

**DESCRIPTION**

FIG. 1 is a top perspective view of a wristband embodying the new design;

FIG. 2 is a front view thereof;

FIG. 3 is a rear view thereof;

FIG. 4 is a top view thereof;

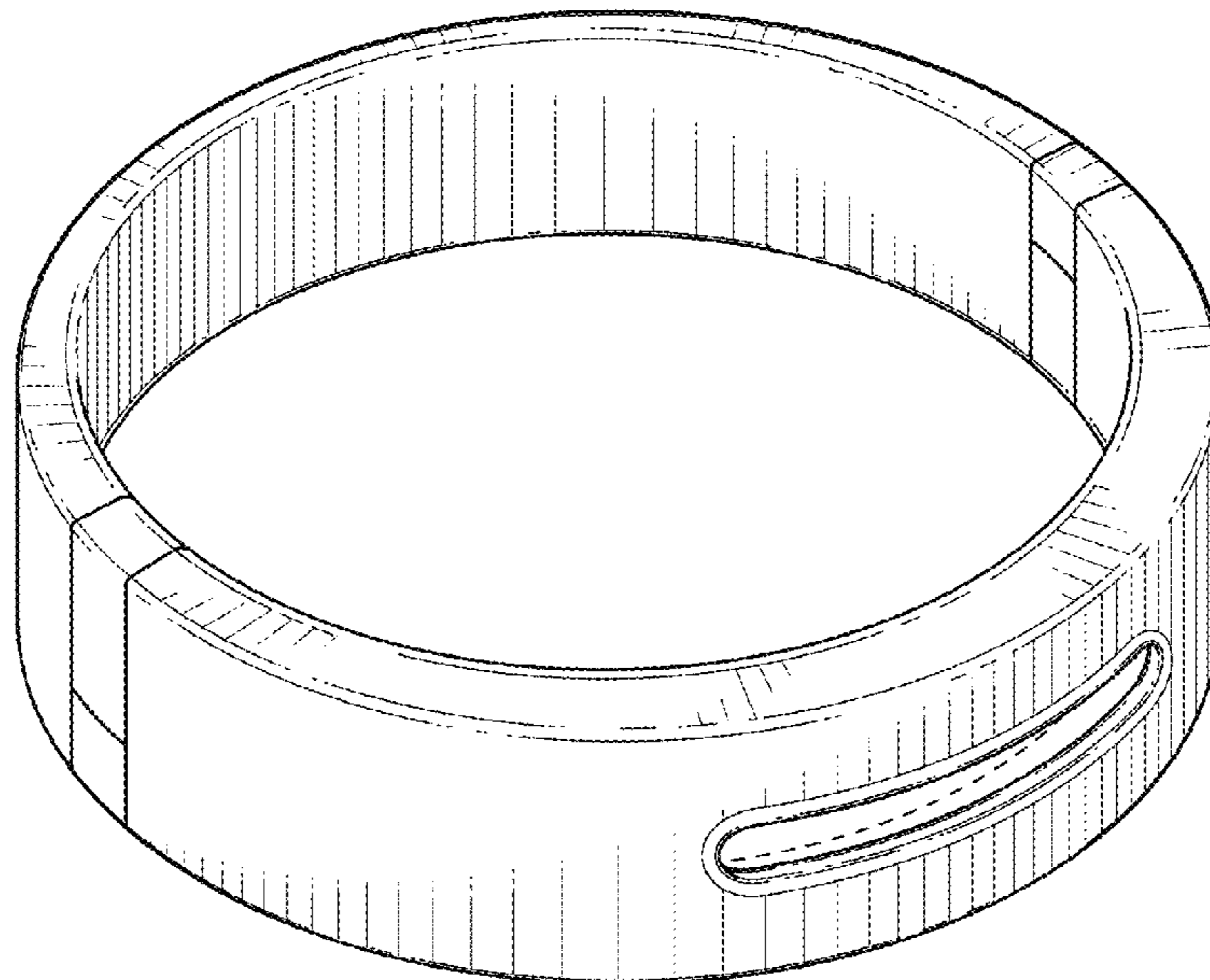
FIG. 5 is a bottom view thereof;

FIG. 6 is a right side view thereof; and,

FIG. 7 is a left side view thereof.

The broken lines shown in FIG. 1 illustrate portions of the wristband which form no part of the claimed design.

**1 Claim, 3 Drawing Sheets**



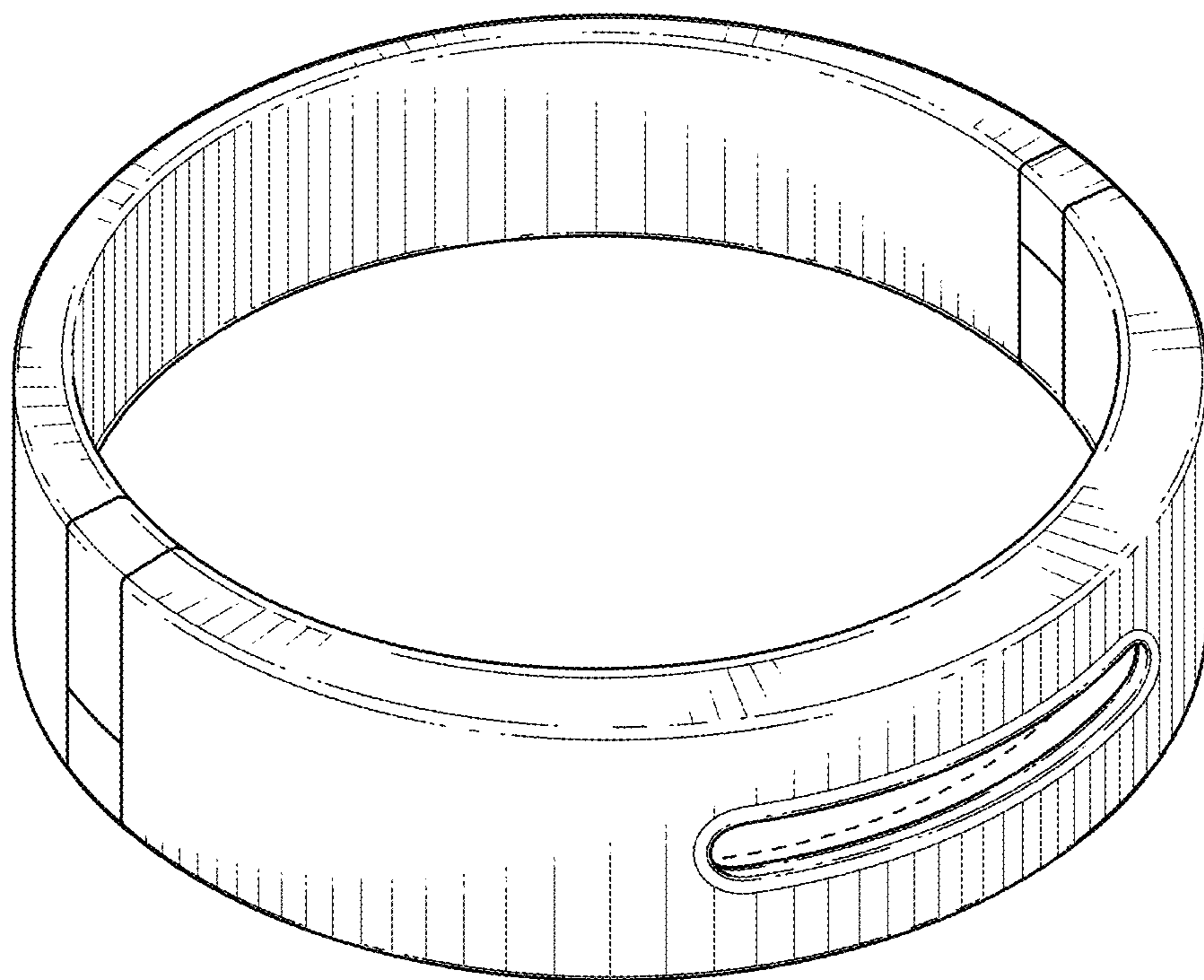


FIG. 1

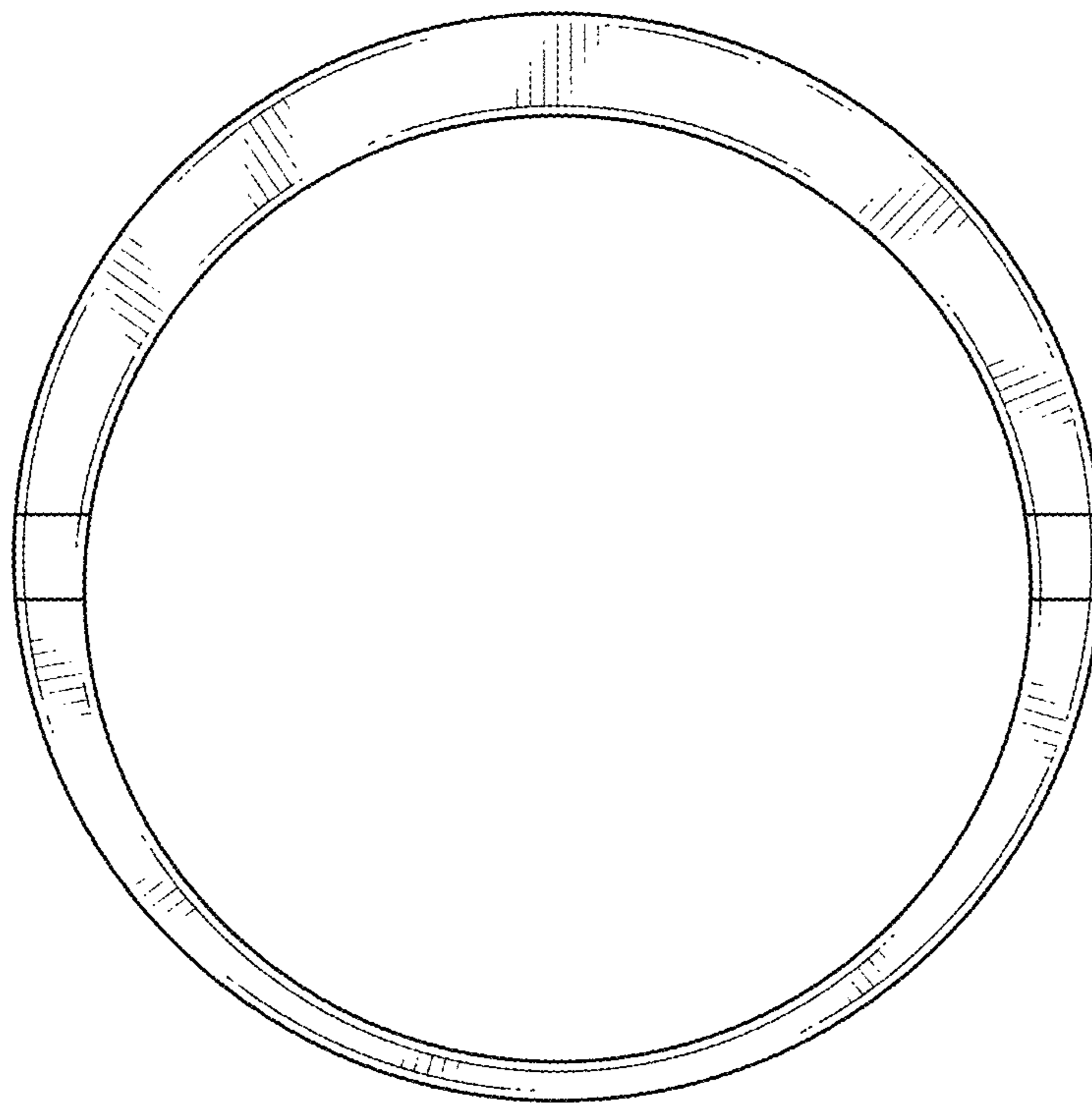


FIG. 2

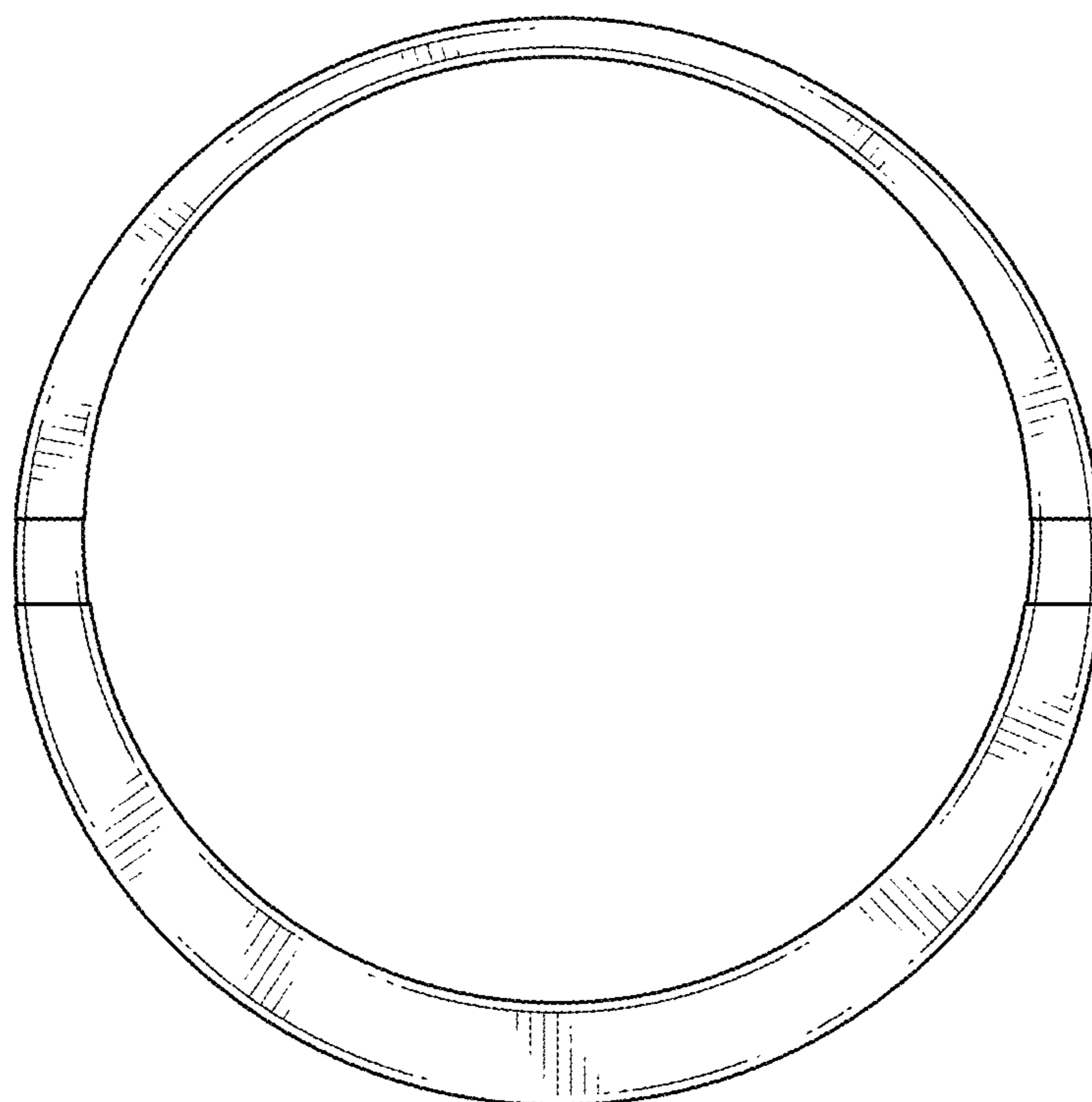


FIG. 3

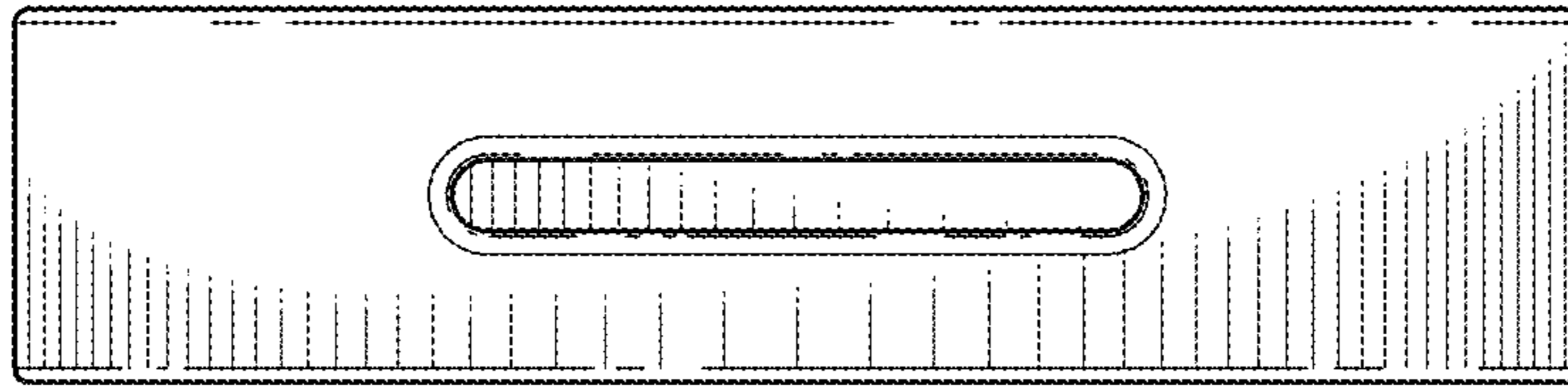


FIG. 4

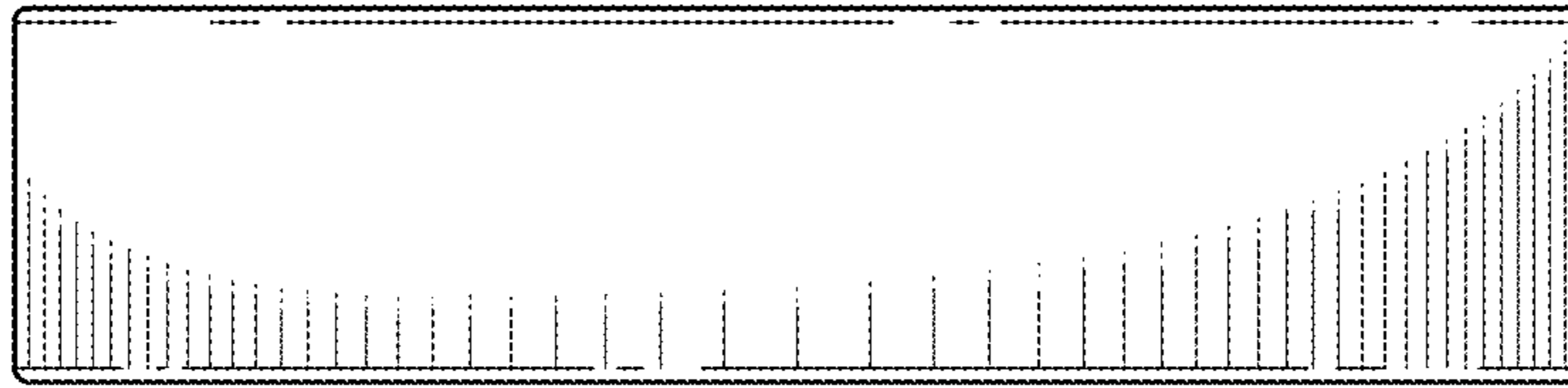


FIG. 5

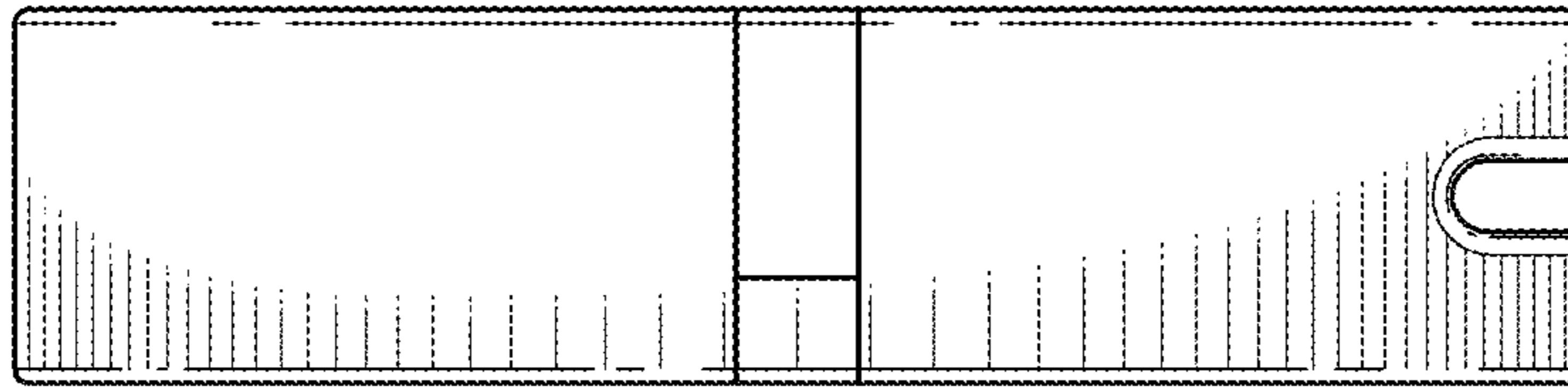


FIG. 6



FIG. 7