



US00D721603S

(12) **United States Design Patent**  
**Chernyshou**

(10) **Patent No.:** **US D721,603 S**  
(45) **Date of Patent:** **\*\* Jan. 27, 2015**

(54) **T-SQUARE**

- (71) Applicant: **Stanley Black & Decker, Inc.**, New Britain, CT (US)
- (72) Inventor: **Aliaksei Chernyshou**, Farmington, CT (US)
- (73) Assignee: **Stanley Black & Decker Inc.**, New Britain, CT (US)
- (\*\*) Term: **14 Years**
- (21) Appl. No.: **29/464,787**
- (22) Filed: **Aug. 21, 2013**
- (51) **LOC (10) Cl.** ..... **10-04**
- (52) **U.S. Cl.**  
USPC ..... **D10/65**
- (58) **Field of Classification Search**  
CPC ..... B43L 7/12; B43L 7/14; G01B 3/566  
USPC ..... D10/65; 33/456, 464-481  
See application file for complete search history.

(56) **References Cited**

U.S. PATENT DOCUMENTS

D390,136 S *	2/1998	White, Sr. ....	D10/65
6,070,331 A *	6/2000	Dempsey .....	33/42
7,690,126 B2 *	4/2010	Morrell .....	33/473
8,375,592 B1 *	2/2013	Holt .....	33/456

\* cited by examiner

*Primary Examiner* — Antoine D Davis  
(74) *Attorney, Agent, or Firm* — Gabriel A. Haboubi

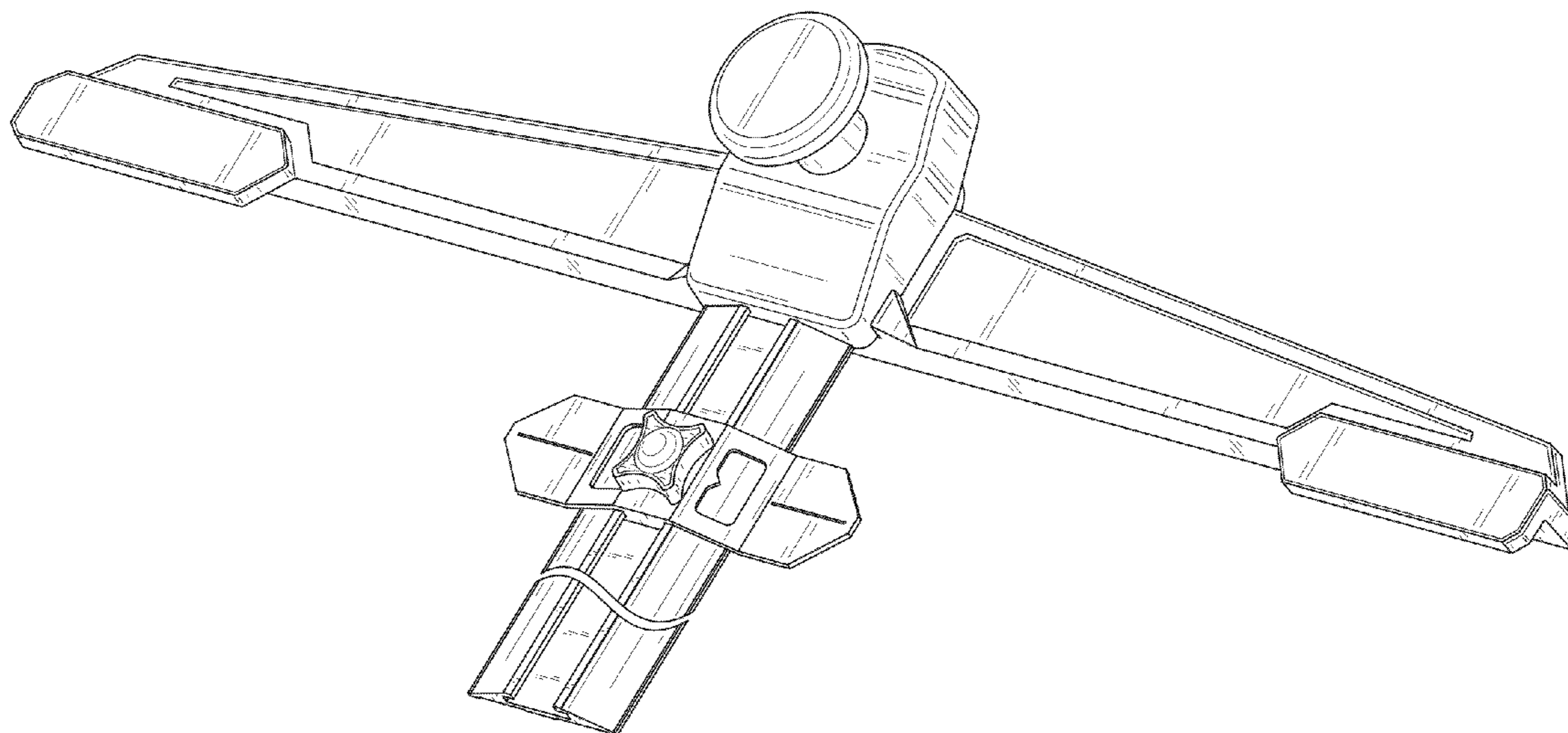
(57) **CLAIM**

The ornamental design for a T-square, as shown and described.

**DESCRIPTION**

FIG. 1 is a perspective view of a T-square.  
FIG. 2 is a top view thereof.  
FIG. 3 is a bottom view thereof.  
FIG. 4 is a left side view thereof.  
FIG. 5 is a right side view thereof.  
FIG. 6 is a front view thereof; and,  
FIG. 7 is a rear view thereof.  
Portions of the T-square are shown to disclose an indeterminate length.

**1 Claim, 5 Drawing Sheets**



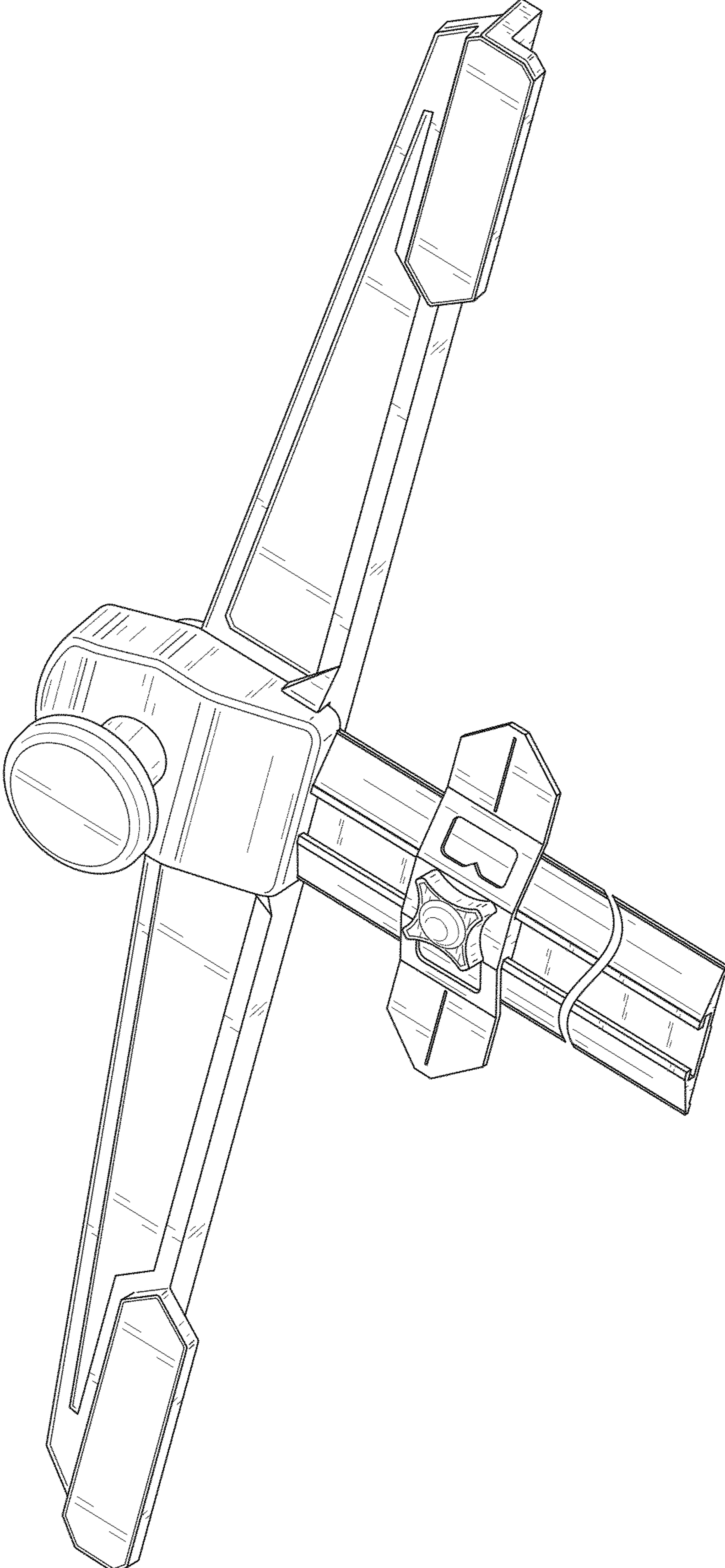


FIG. 1

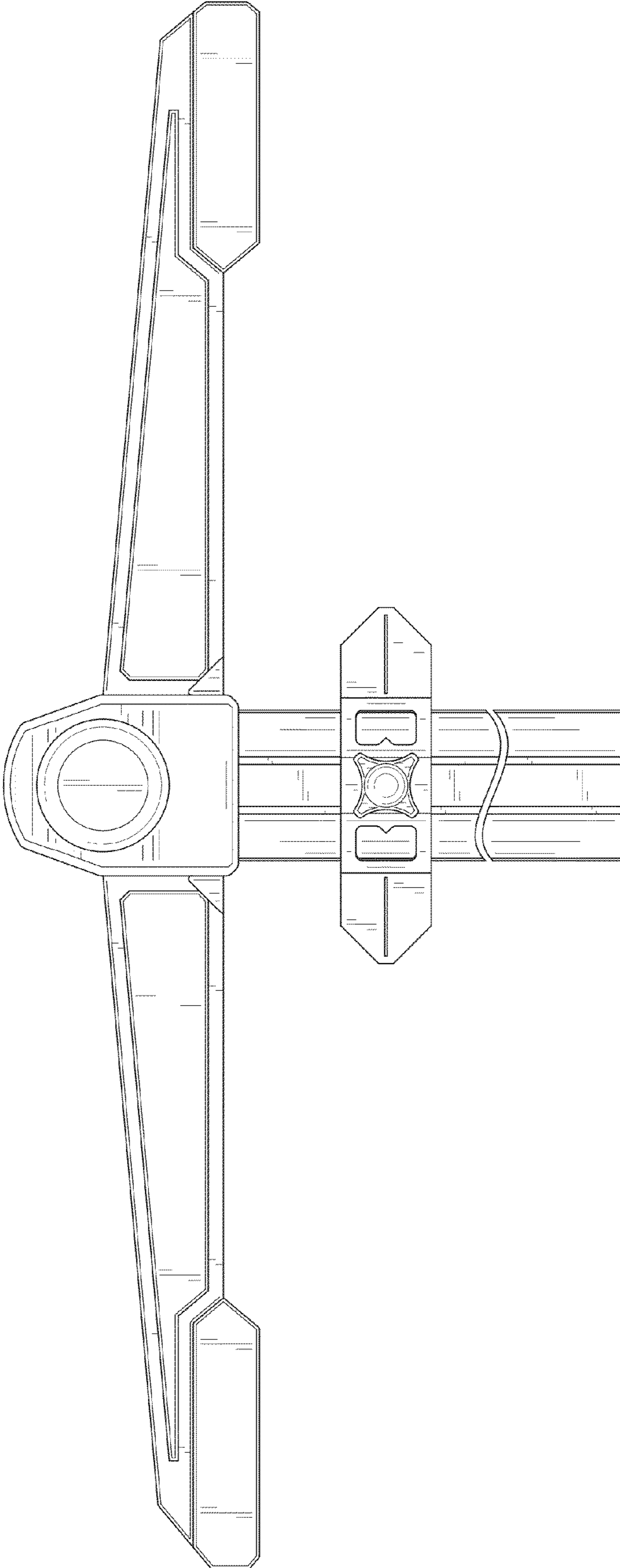


FIG. 2

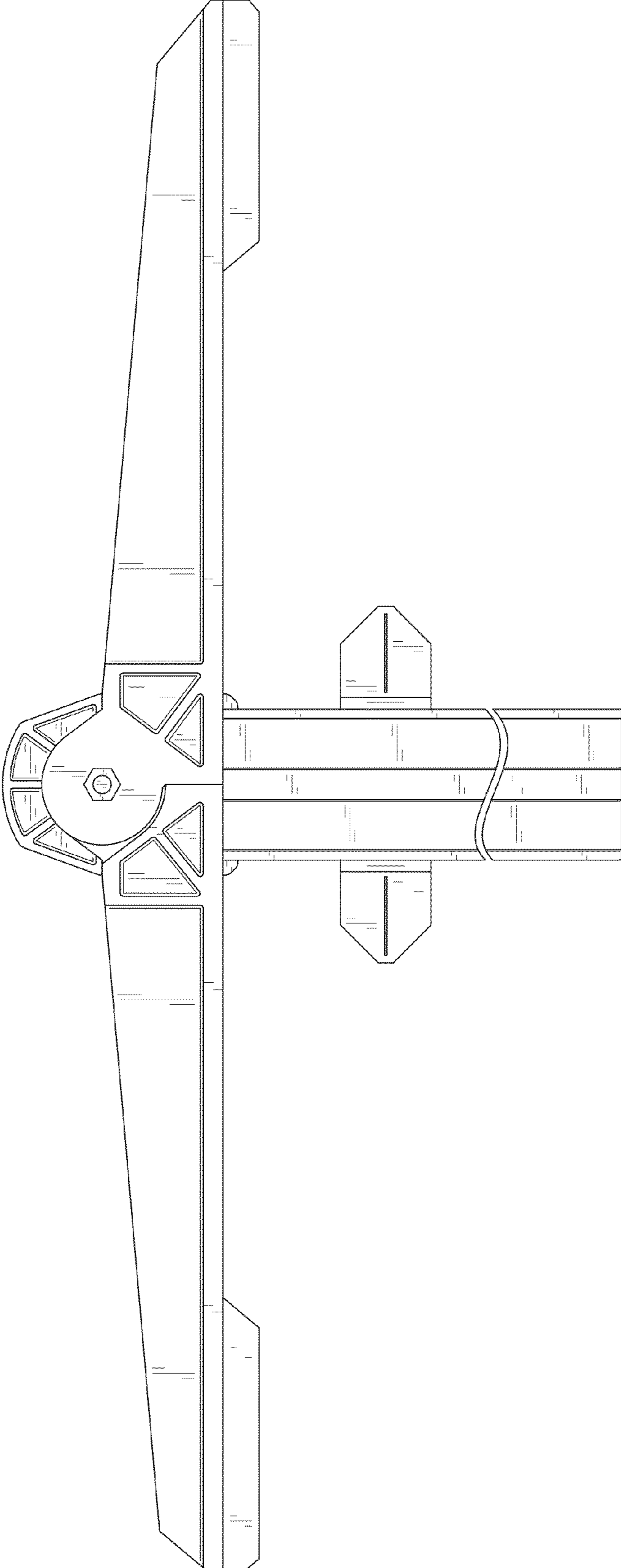


FIG. 3

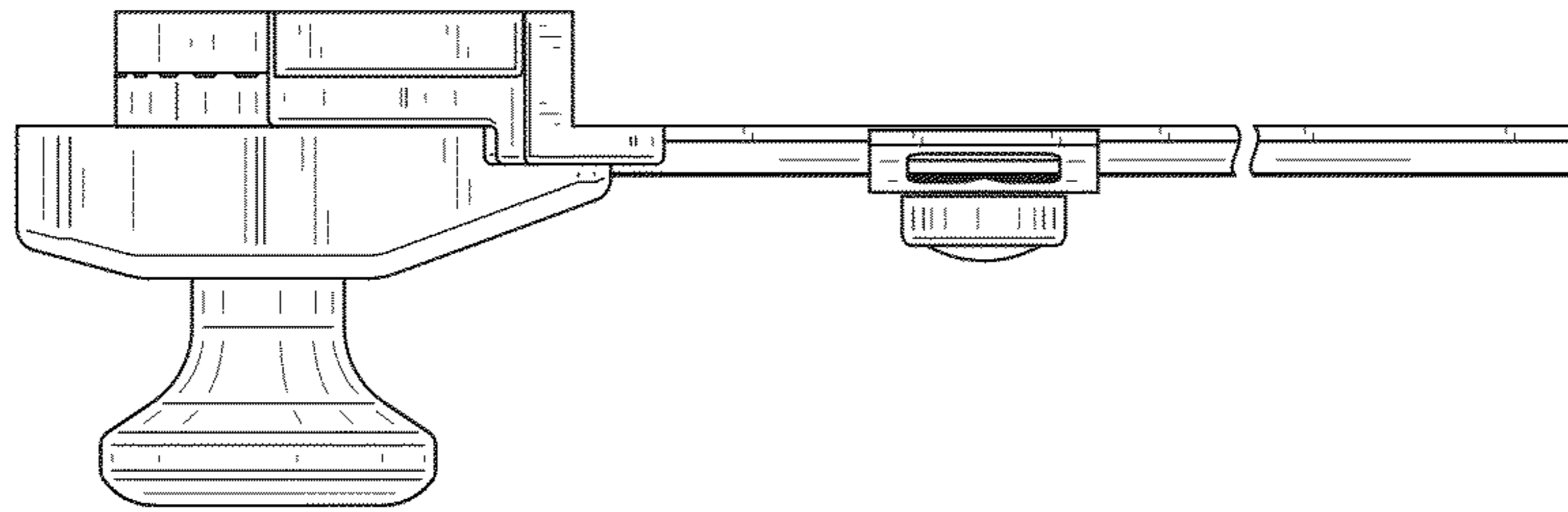


FIG. 5

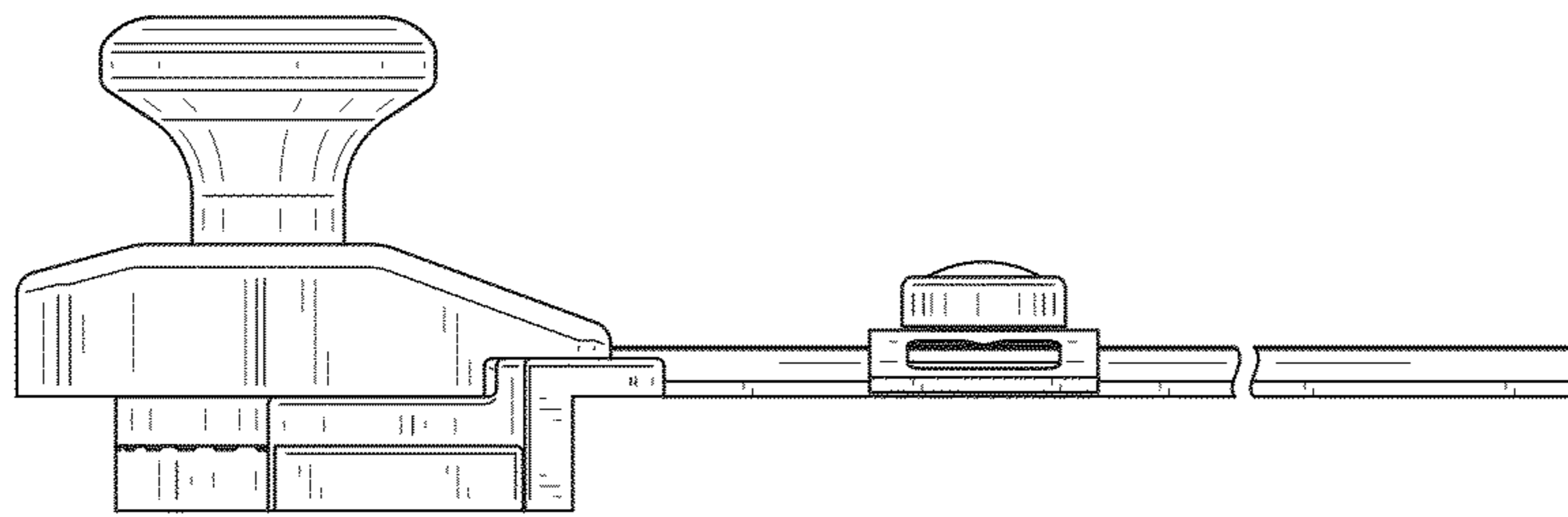


FIG. 4

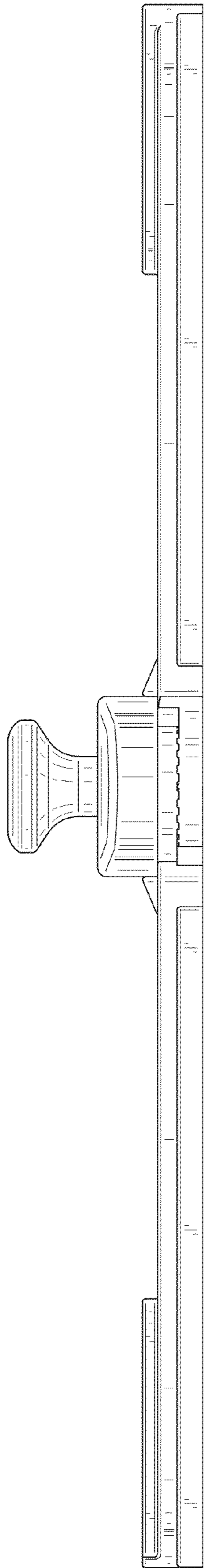


FIG. 6

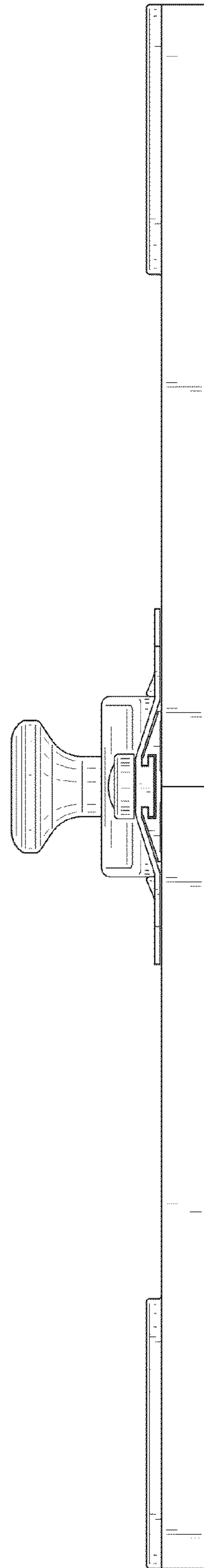


FIG. 7