



US00D721600S

(12) **United States Design Patent**
Galli

(10) **Patent No.:** **US D721,600 S**
(45) **Date of Patent:** **** Jan. 27, 2015**

(54) **WATCH**
(71) Applicant: **Salvatore Ferragamo S.p.A.**, Florence (IT)
(72) Inventor: **Giorgio Galli**, Milan (IT)
(73) Assignee: **Salvatore Ferragamo S.p.A.**, Florence (IT)
(**) Term: **14 Years**
(21) Appl. No.: **29/487,905**
(22) Filed: **Apr. 14, 2014**

D365,526 S *	12/1995	Gardner	D10/39
D401,866 S *	12/1998	Pandel	D10/32
D438,471 S *	3/2001	Fichter	D10/39
D448,311 S *	9/2001	Sciacca	D10/39
D459,241 S *	6/2002	Bodino	D10/32
D512,923 S *	12/2005	Bolt et al.	D10/39
D537,741 S *	3/2007	Grusosi-Scheufele	D10/39
D551,095 S *	9/2007	Monachon	D10/32
D598,303 S *	8/2009	Jorst et al.	D10/38
D648,638 S *	11/2011	Monachon	D10/39
D649,069 S *	11/2011	Galli	D10/30
D673,463 S *	1/2013	Duport	D10/32
D678,081 S *	3/2013	Cabiddu	D10/38
D679,200 S *	4/2013	Jacquerye	D10/39
D679,201 S *	4/2013	Jacquerye	D10/39
D691,495 S *	10/2013	Duport	D10/32

* cited by examiner

(30) **Foreign Application Priority Data**
Oct. 15, 2013 (WO) DM/081927
(51) **LOC (10) Cl.** **10-02**
(52) **U.S. Cl.**
USPC **D10/39**
(58) **Field of Classification Search**
USPC D10/30-39, 122-132; 368/276, 281,
368/282, 285
See application file for complete search history.

Primary Examiner — Lucy Lieberman
(74) *Attorney, Agent, or Firm* — Kelley Drye & Warren, LLP

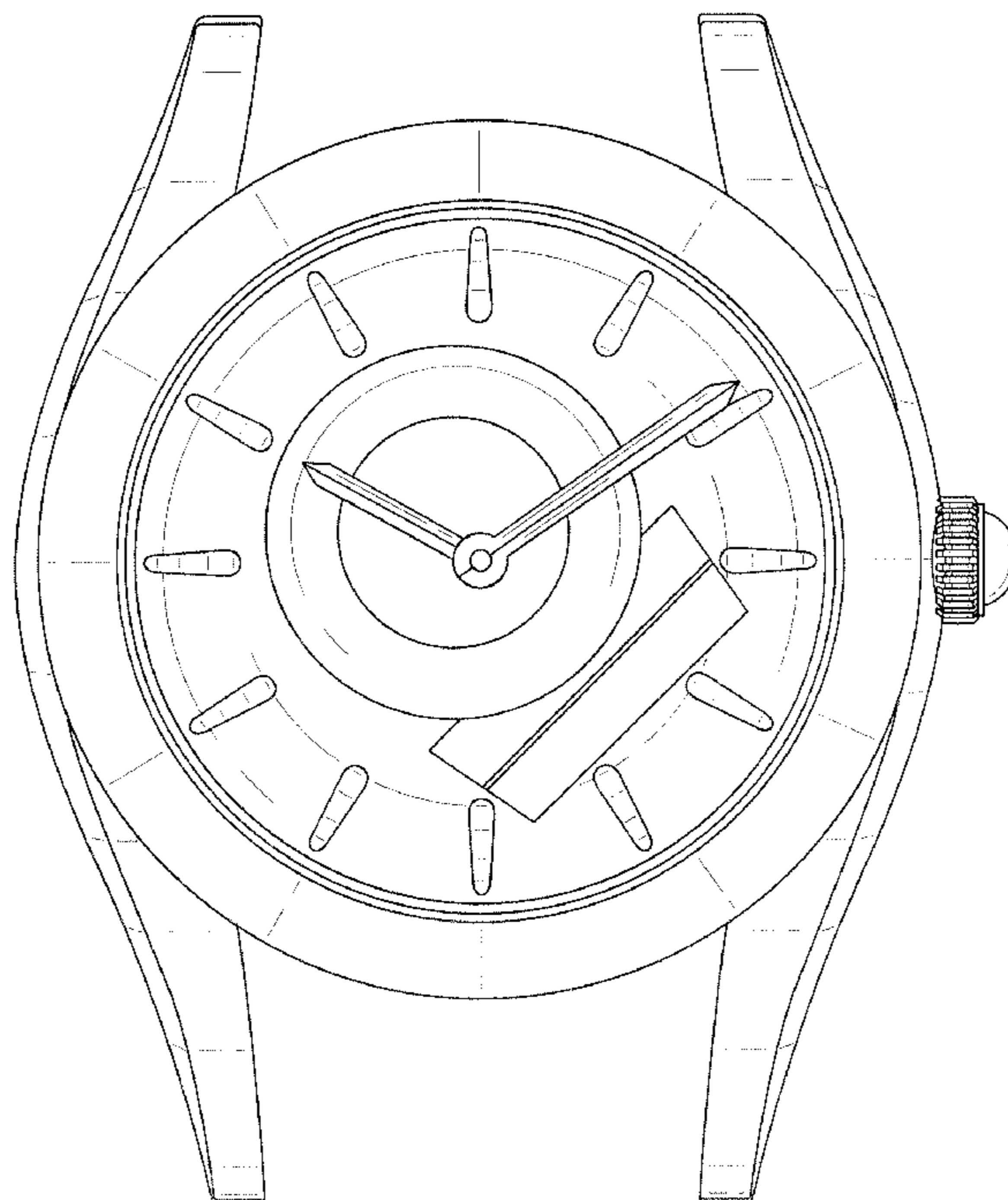
(57) **CLAIM**
The ornamental design for a watch, as shown.

DESCRIPTION

FIG. 1 is a perspective view of a watch showing my new design;
FIG. 2 is a front elevation thereof;
FIG. 3 is a rear elevation thereof;
FIG. 4 is a bottom plan view thereof;
FIG. 5 is a right side elevation thereof;
FIG. 6 is a left side elevation thereof; and,
FIG. 7 is a top plan view thereof.

(56) **References Cited**
U.S. PATENT DOCUMENTS
D186,180 S * 9/1959 Diamond D10/39
D358,776 S * 5/1995 Pandel D10/30
D360,593 S * 7/1995 McLaughlin D10/39

1 Claim, 5 Drawing Sheets



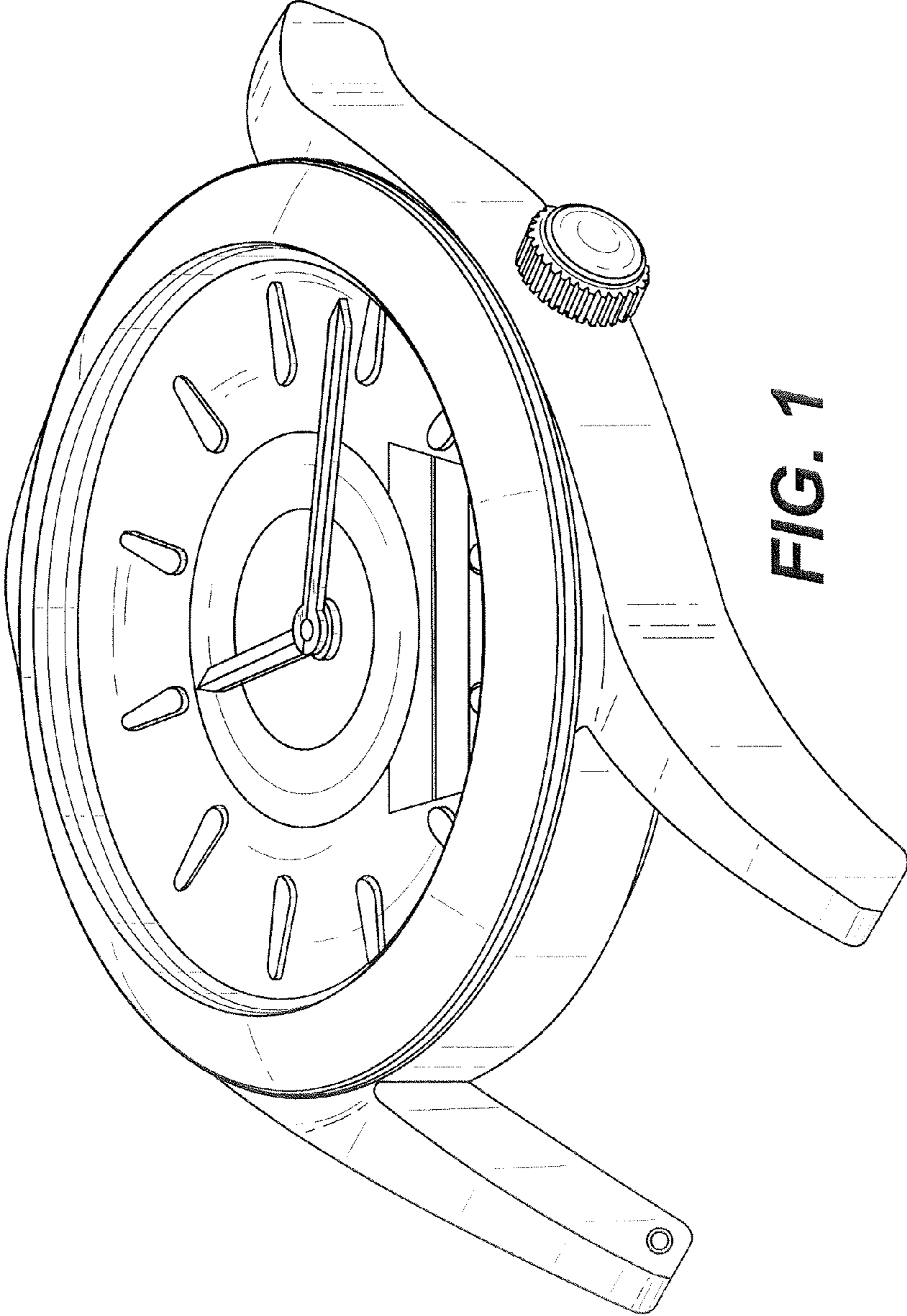


FIG. 1

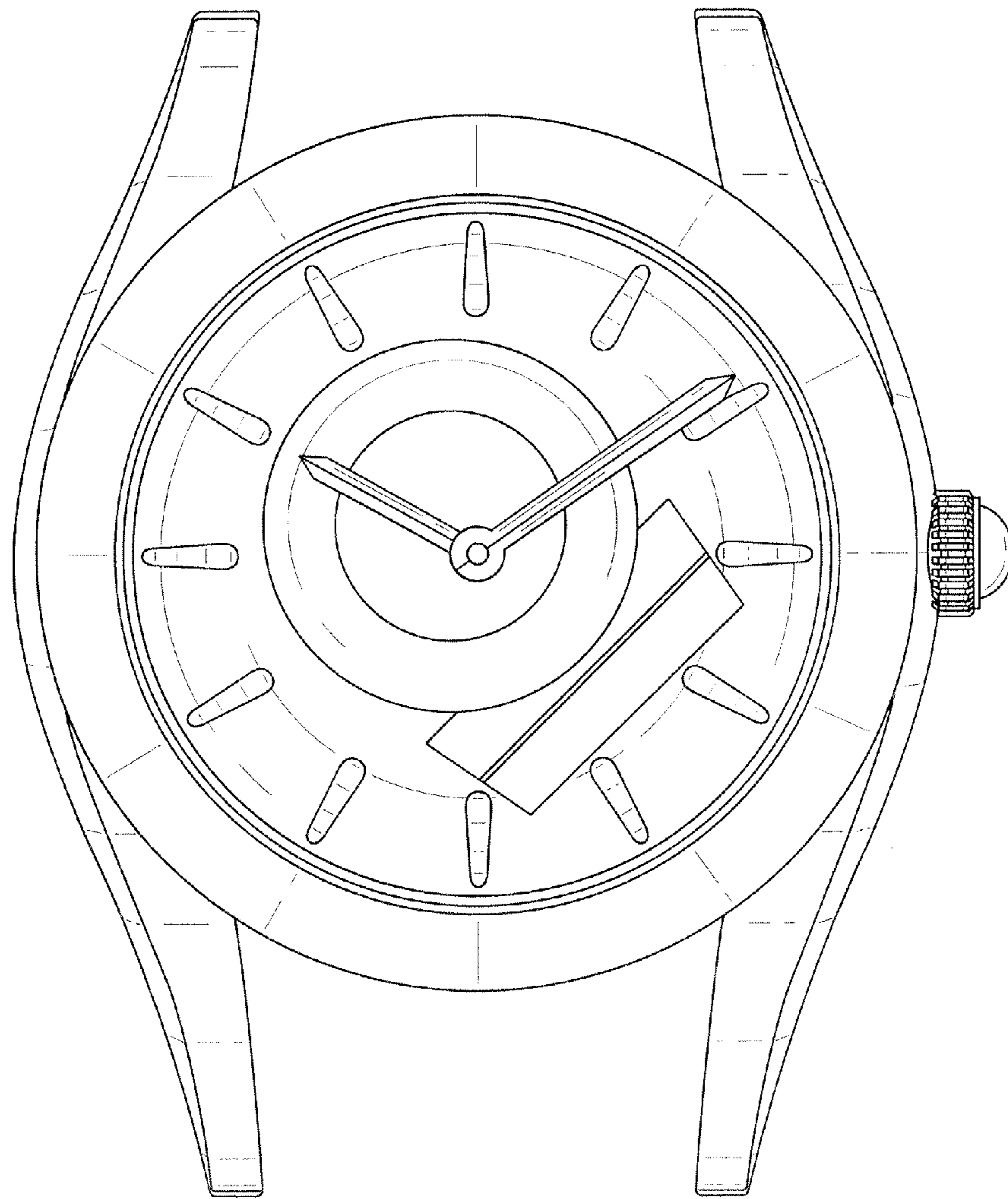


FIG. 2

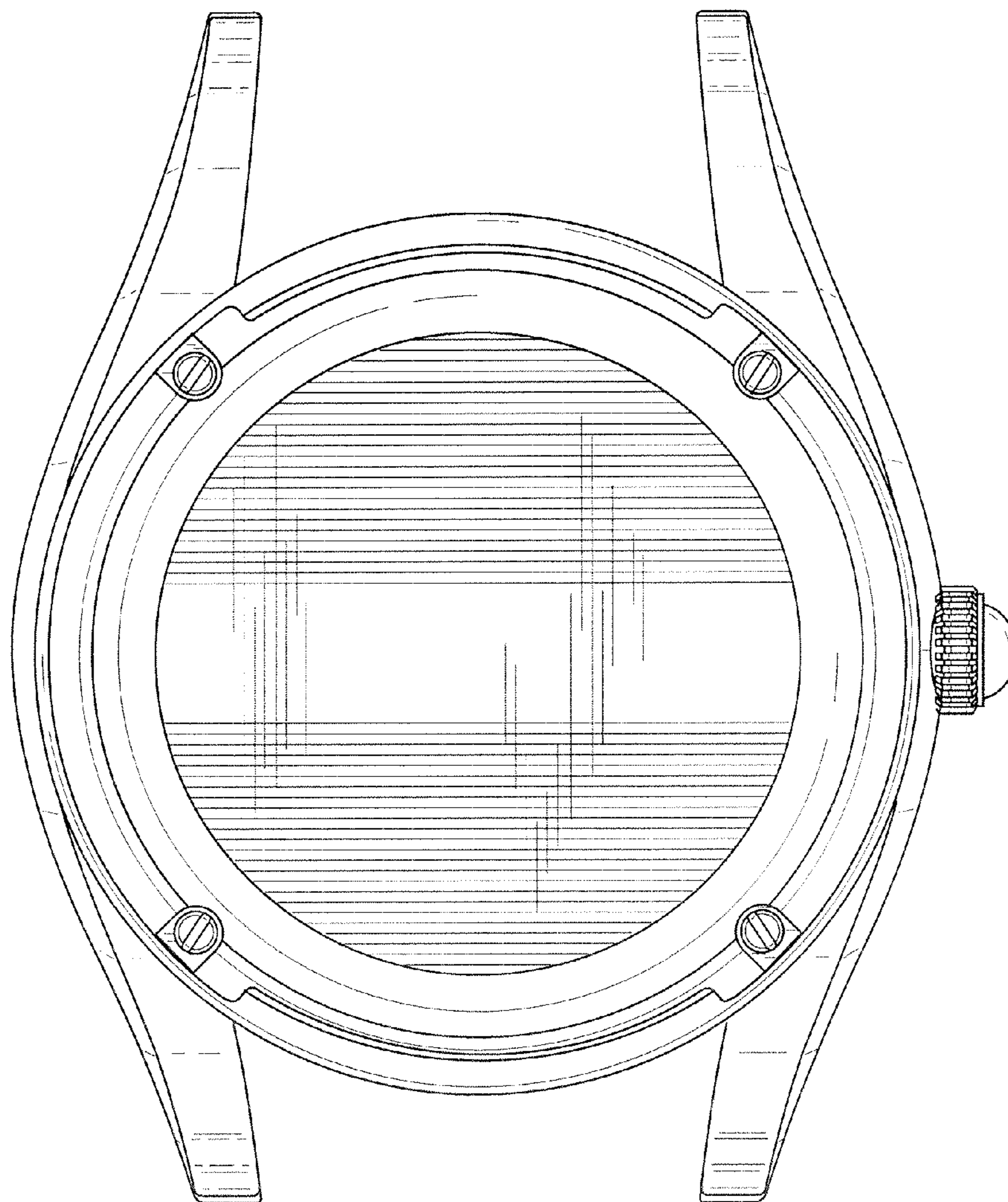


FIG. 3

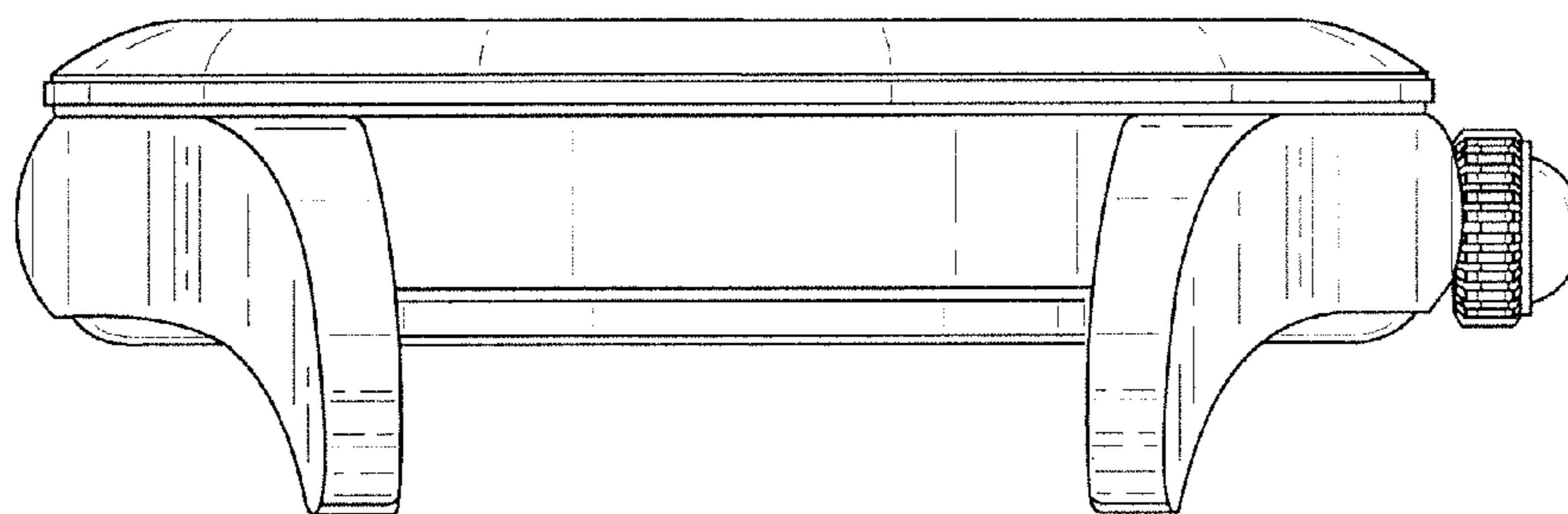


FIG. 4

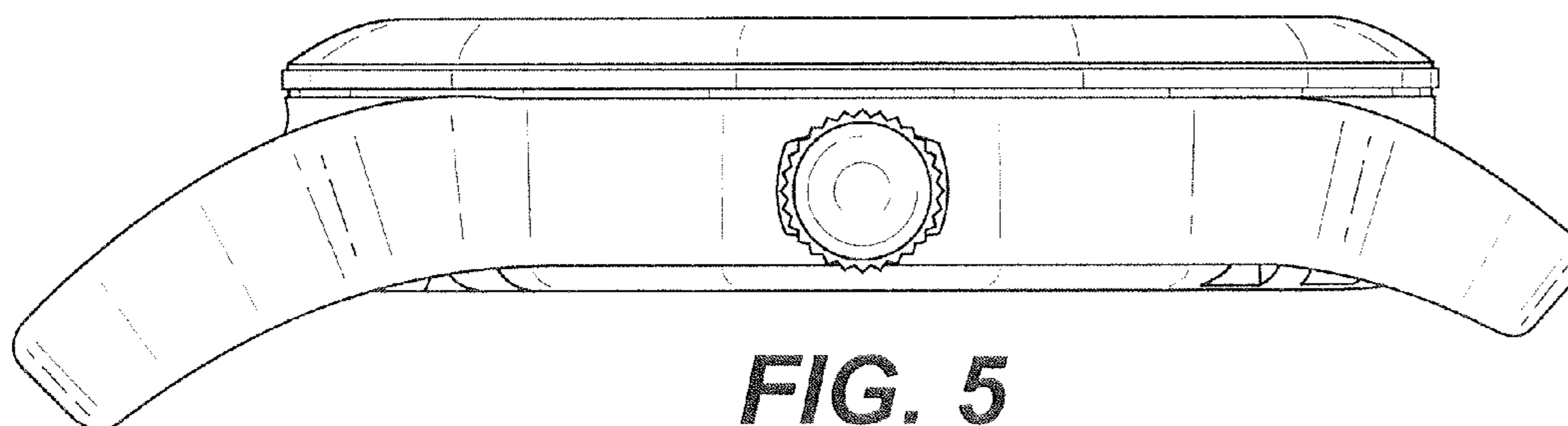


FIG. 5

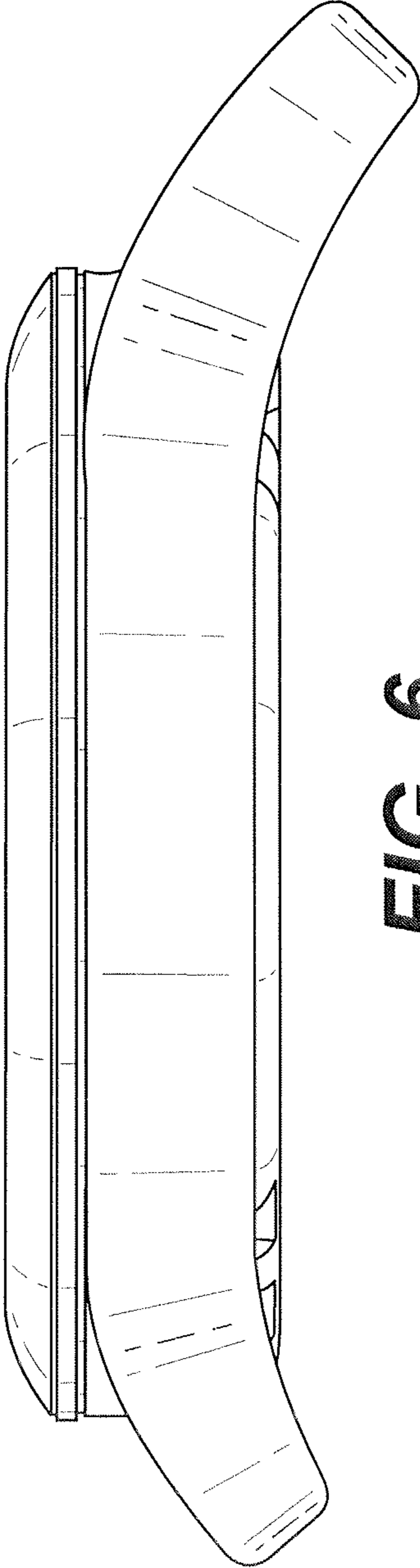


FIG. 6

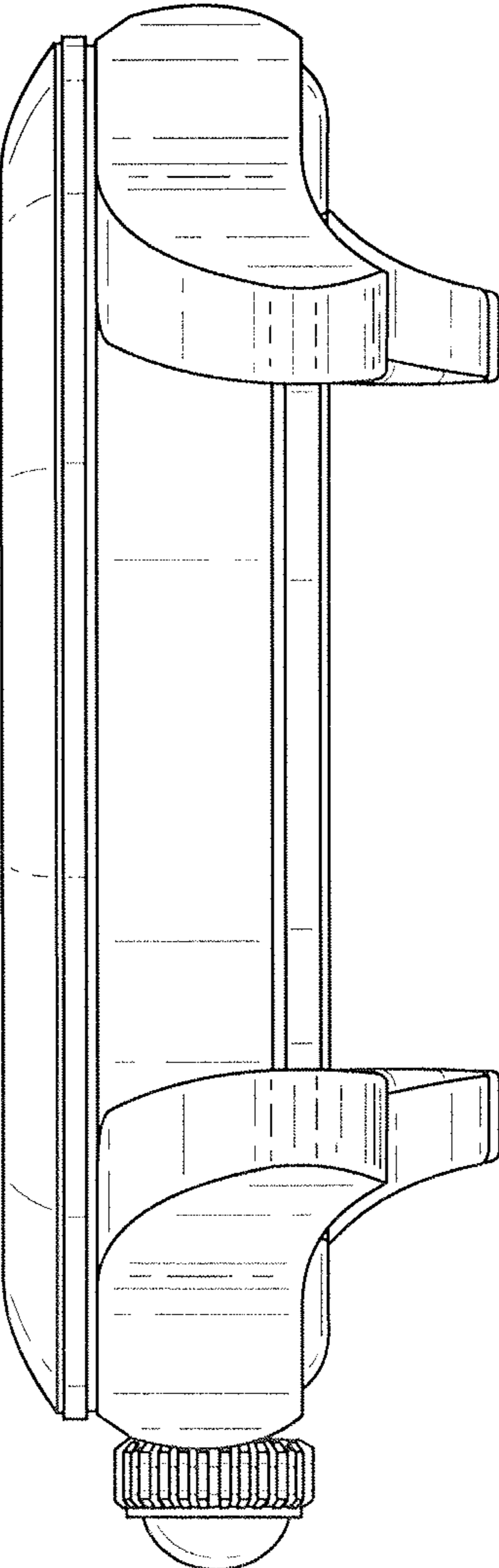


FIG. 7