



US00D721596S

(12) **United States Design Patent**
Sanders

(10) **Patent No.:** **US D721,596 S**

(45) **Date of Patent:** **** Jan. 27, 2015**

(54) **SANDWICH WRAP**

(76) Inventor: **Scott Sanders**, Moreland Hills, OH (US)

(**) Term: **14 Years**

(21) Appl. No.: **29/429,211**

(22) Filed: **Aug. 8, 2012**

(51) **LOC (10) Cl.** **09-05**

(52) **U.S. Cl.**
USPC **D9/713**

(58) **Field of Classification Search**
USPC D9/713; D7/607, 601, 368, 687, 669;
150/154, 105; 383/110, 121.1, 2, 6, 98,
383/13, 15; 220/592.25, 592.2; 62/372
See application file for complete search history.

(56) **References Cited**

U.S. PATENT DOCUMENTS

D92,259	S *	5/1934	Kulander	D9/713
2,387,217	A	10/1945	Scott		
D203,009	S *	11/1965	Loney	D9/456
3,964,669	A *	6/1976	Sontag et al.	220/62.13
RE35,241	E	5/1996	Capy et al.		
5,671,882	A	9/1997	Cerwinski et al.		
5,988,492	A	11/1999	Capy et al.		
6,209,784	B1	4/2001	Jensen		
6,234,384	B1	5/2001	Capy et al.		
D445,027	S *	7/2001	Sherts et al.	D9/444

D457,287	S *	5/2002	Geisen	D2/608
6,702,178	B2	3/2004	Bowers et al.		
D699,079	S *	2/2014	Lloyd	D7/601

FOREIGN PATENT DOCUMENTS

CA	2248601	3/1999
GB	189654	12/1922

* cited by examiner

Primary Examiner — Caron D Veynar

Assistant Examiner — Holly E Thurman

(74) *Attorney, Agent, or Firm* — Fay Sharpe LLP

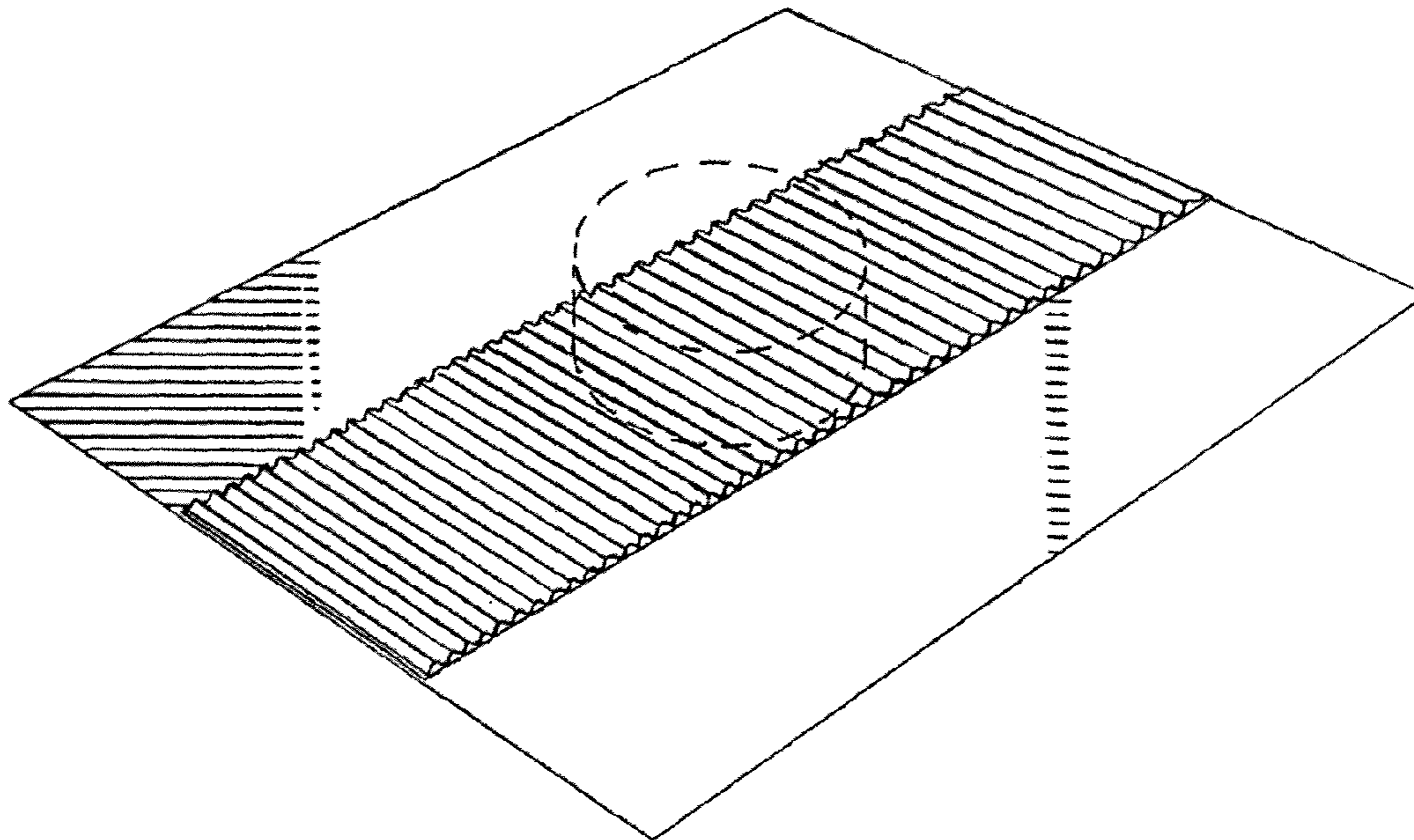
(57) **CLAIM**

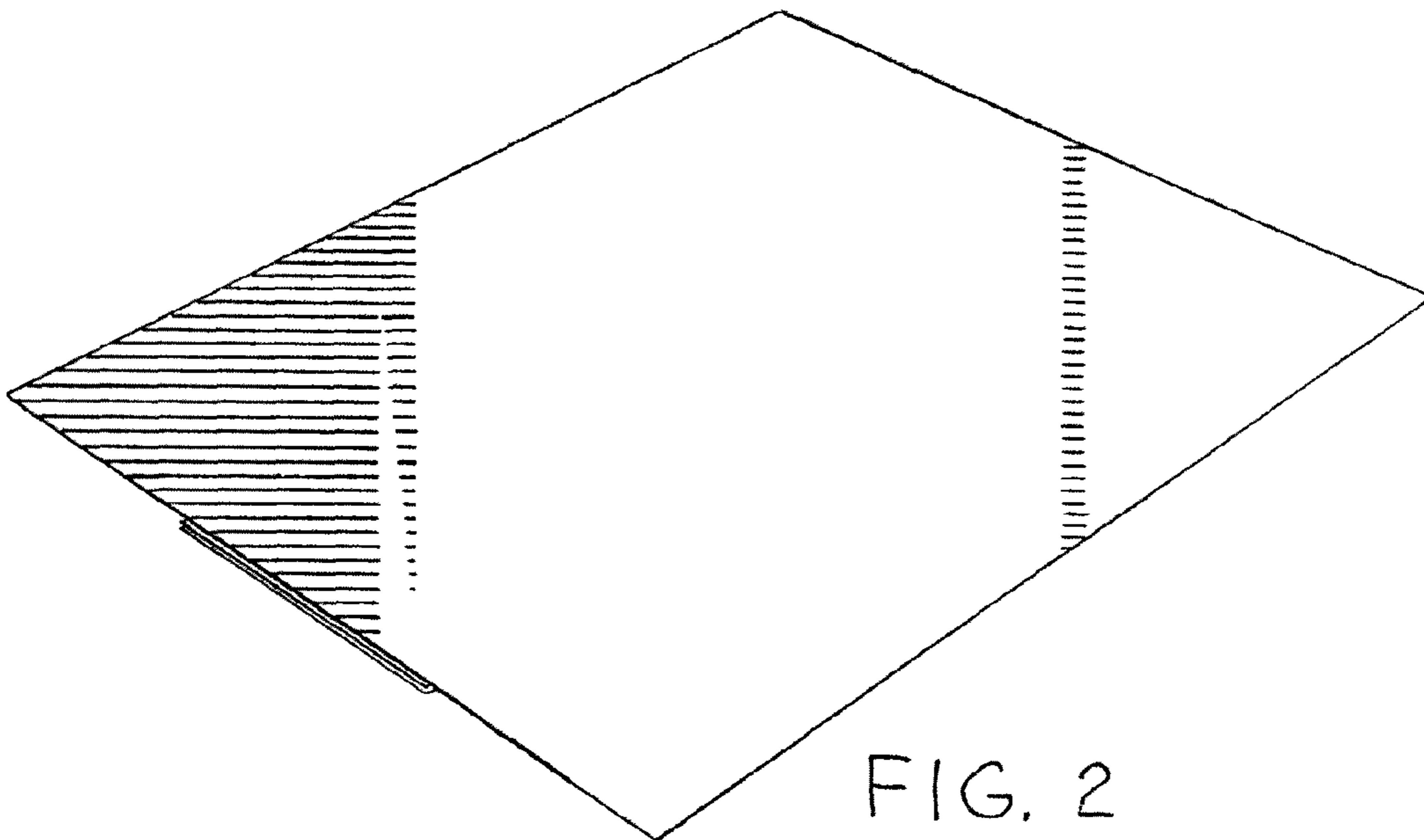
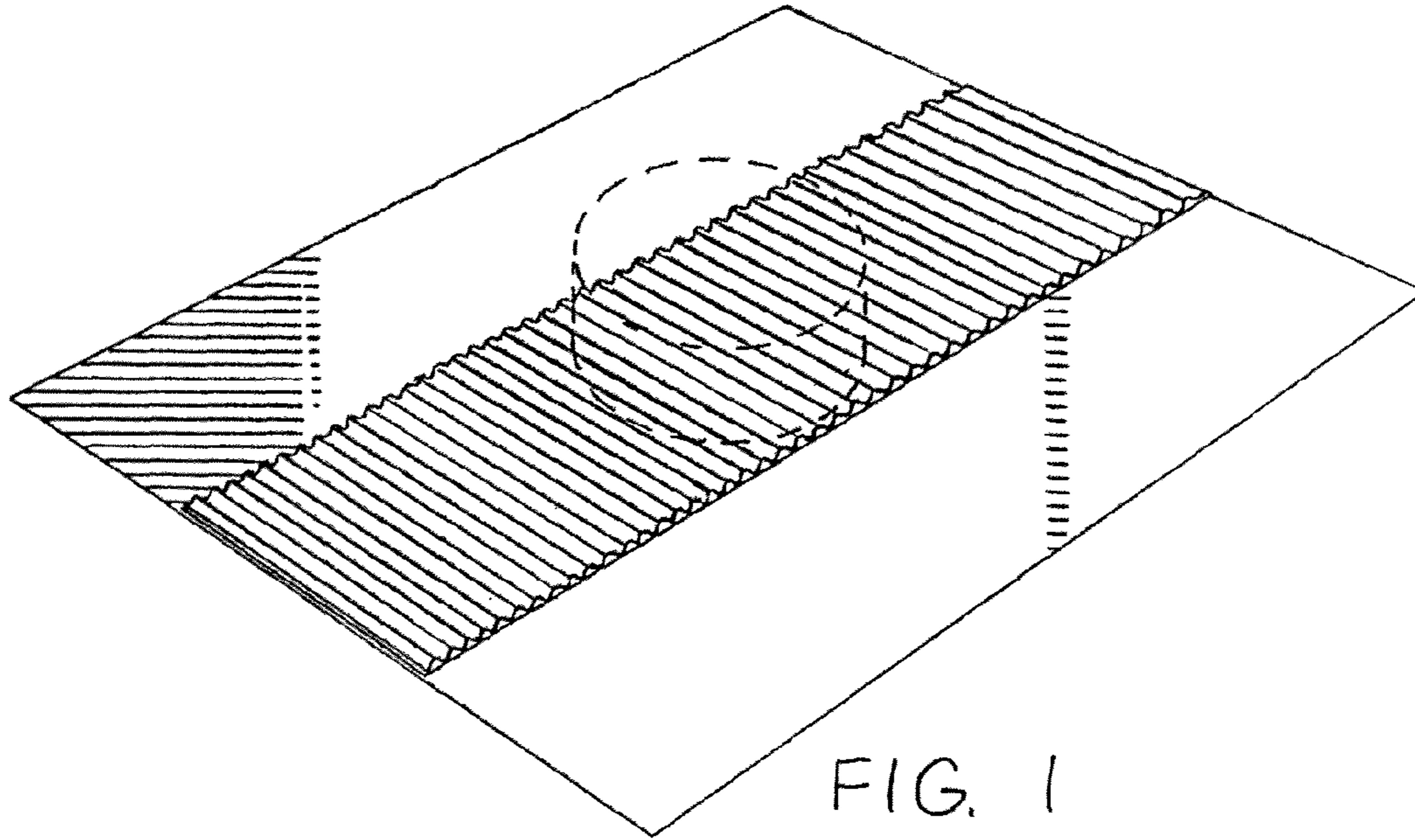
The ornamental design for a sandwich wrap, as shown and described.

DESCRIPTION

FIG. 1 is a top perspective view of a sandwich wrap showing my new design;
FIG. 2 is a bottom perspective view thereof;
FIG. 3 is a left side view thereof;
FIG. 4 is a front end view thereof;
FIG. 5 is a top perspective view thereof showing the rear end partially wrapped over a sandwich; and,
FIG. 6 is a top perspective view thereof showing the front and rear ends partially wrapped over a sandwich.
In the drawings, the broken lines depict environmental subject matter only and form no part of the claimed design.

1 Claim, 3 Drawing Sheets





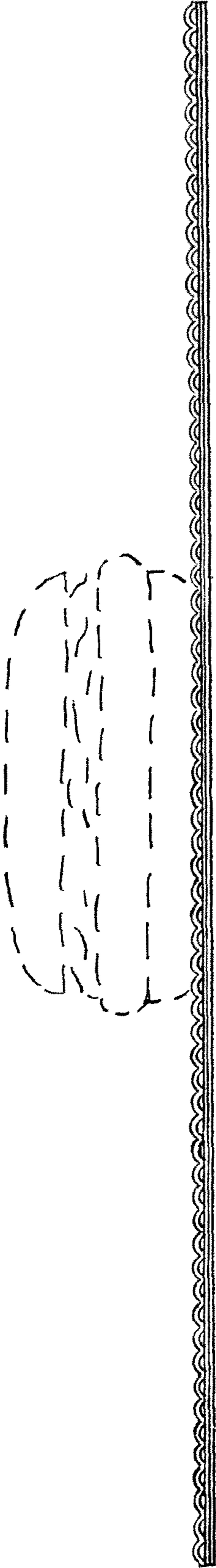


FIG. 3

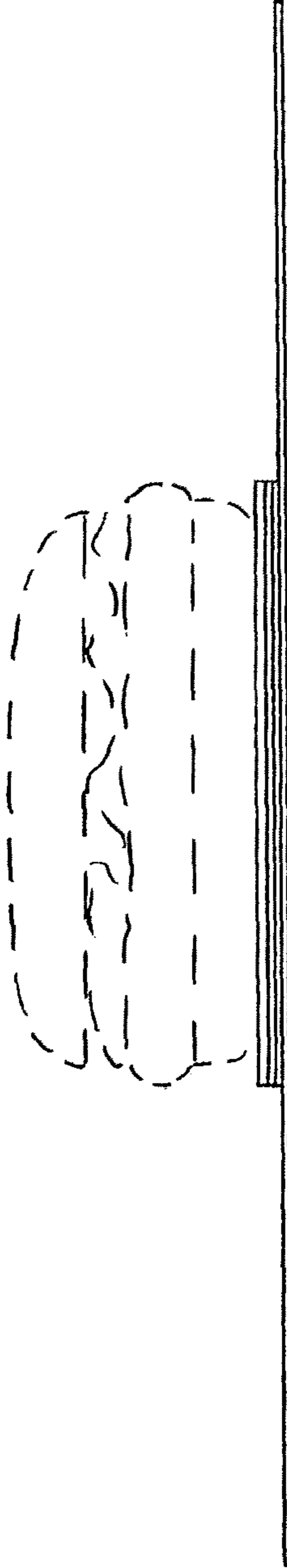


FIG. 4

