

US00D721591S

(12) **United States Design Patent**
Hefetz et al.

(10) **Patent No.:** **US D721,591 S**
(45) **Date of Patent:** **** Jan. 27, 2015**

- (54) **BOTTLE**
- (71) Applicant: **ColoRight Ltd.**, Rehovot (IL)
- (72) Inventors: **Joseph Hefetz**, Tel-Aviv (IL); **Yuri Movshovich**, Ramat-Gan (IL)
- (73) Assignee: **ColoRight Ltd.**, Rehovot (IL)
- (**) Term: **14 Years**
- (21) Appl. No.: **29/433,010**
- (22) Filed: **Sep. 25, 2012**
- (51) **LOC (10) Cl.** **09-01**
- (52) **U.S. Cl.**
USPC **D9/523**
- (58) **Field of Classification Search**
USPC D9/516, 522, 523, 526, 547, 549-551,
D9/560, 564, 571-572; 215/381-385,
215/396-398, 235, 305; 220/666, 675;
222/566, 572, 215, 450-462
See application file for complete search history.

- D303,628 S * 9/1989 Beaver D9/523
- 5,040,353 A * 8/1991 Evans et al. 53/54
- 5,122,399 A * 6/1992 Farrell et al. 428/34.2
- 5,915,578 A * 6/1999 Burt 215/250
- 5,988,460 A * 11/1999 Brecheisen et al. 222/572
- D577,588 S * 9/2008 Yourist D9/523
- D673,456 S * 1/2013 Masters et al. D9/523
- D695,119 S * 12/2013 Masters et al. D9/523

* cited by examiner

Primary Examiner — Prabhakar Deshmukh
(74) *Attorney, Agent, or Firm* — Marc Van Dyke; 4th Dimension IP

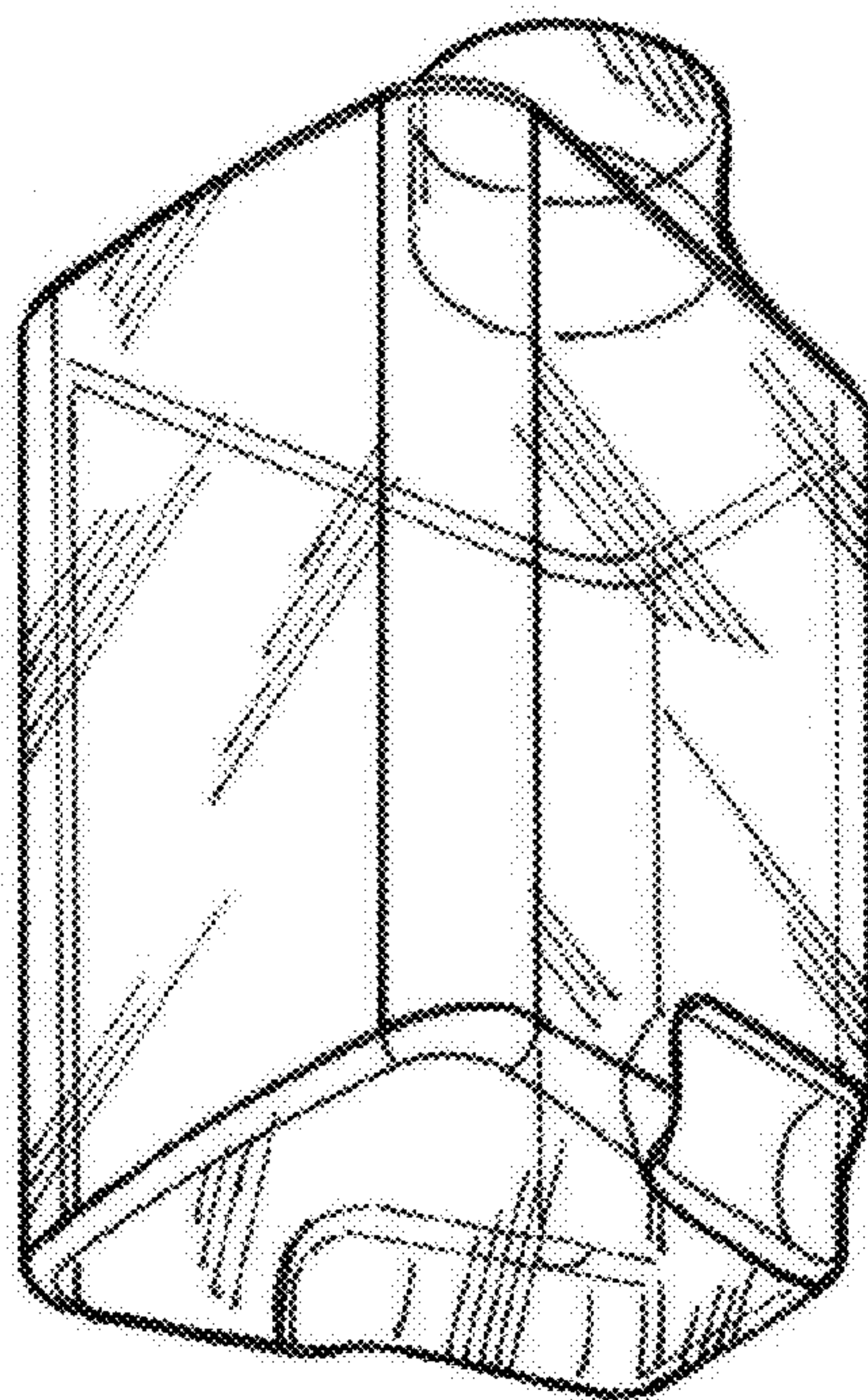
(57) **CLAIM**
The ornamental design for an bottle, as shown and described.

DESCRIPTION

FIG. 1 is a bottom plan view of a bottle showing our new design;
FIG. 2 is a left side elevation thereof;
FIG. 3 is a front elevation thereof;
FIG. 4 is a top plan view thereof;
FIG. 5 is a right side elevation thereof;
FIG. 6 is a bottom, front and side perspective view thereof;
FIG. 7 is a top, front and side perspective view thereof; and,
FIG. 8 is another perspective view thereof.

1 Claim, 1 Drawing Sheet

- (56) **References Cited**
U.S. PATENT DOCUMENTS
D288,531 S * 3/1987 Tarasevich et al. D9/522
4,807,781 A * 2/1989 Bobinger et al. 222/546



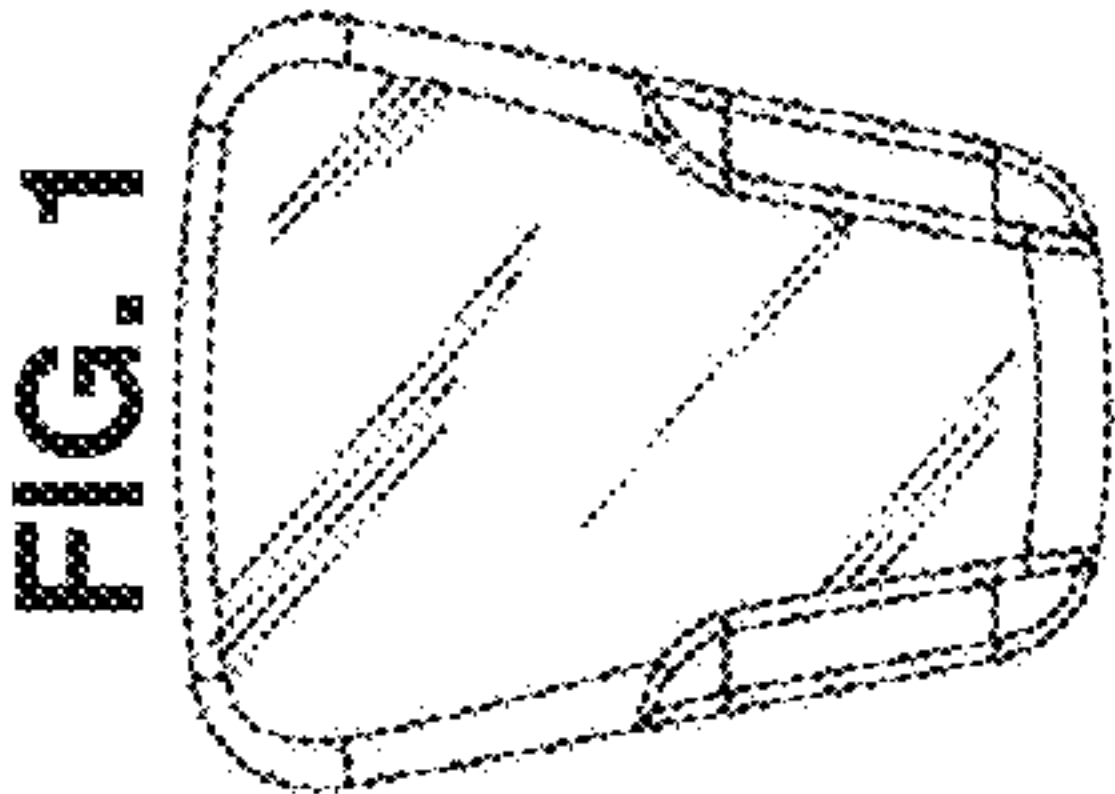


FIG. 1

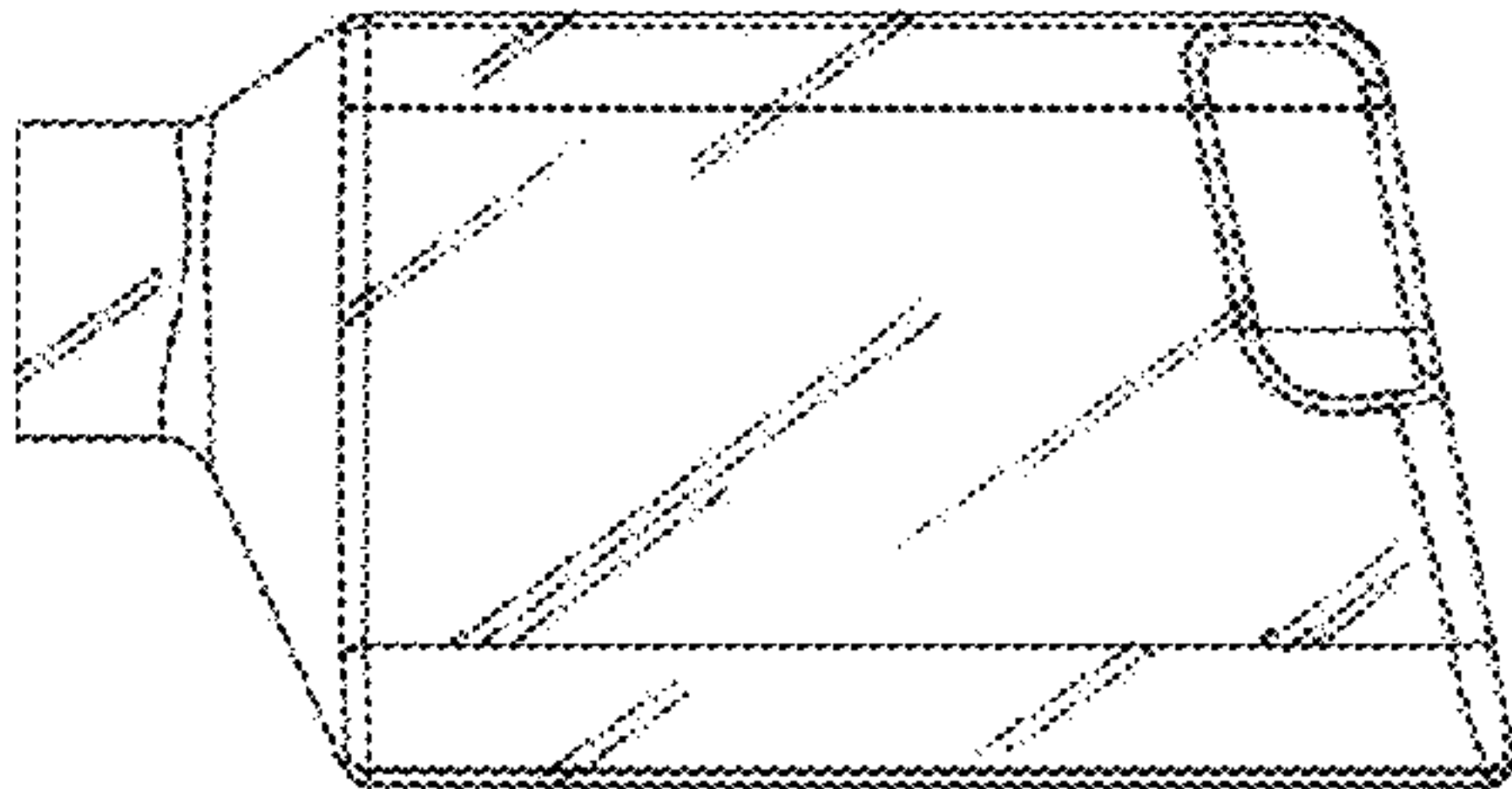


FIG. 2

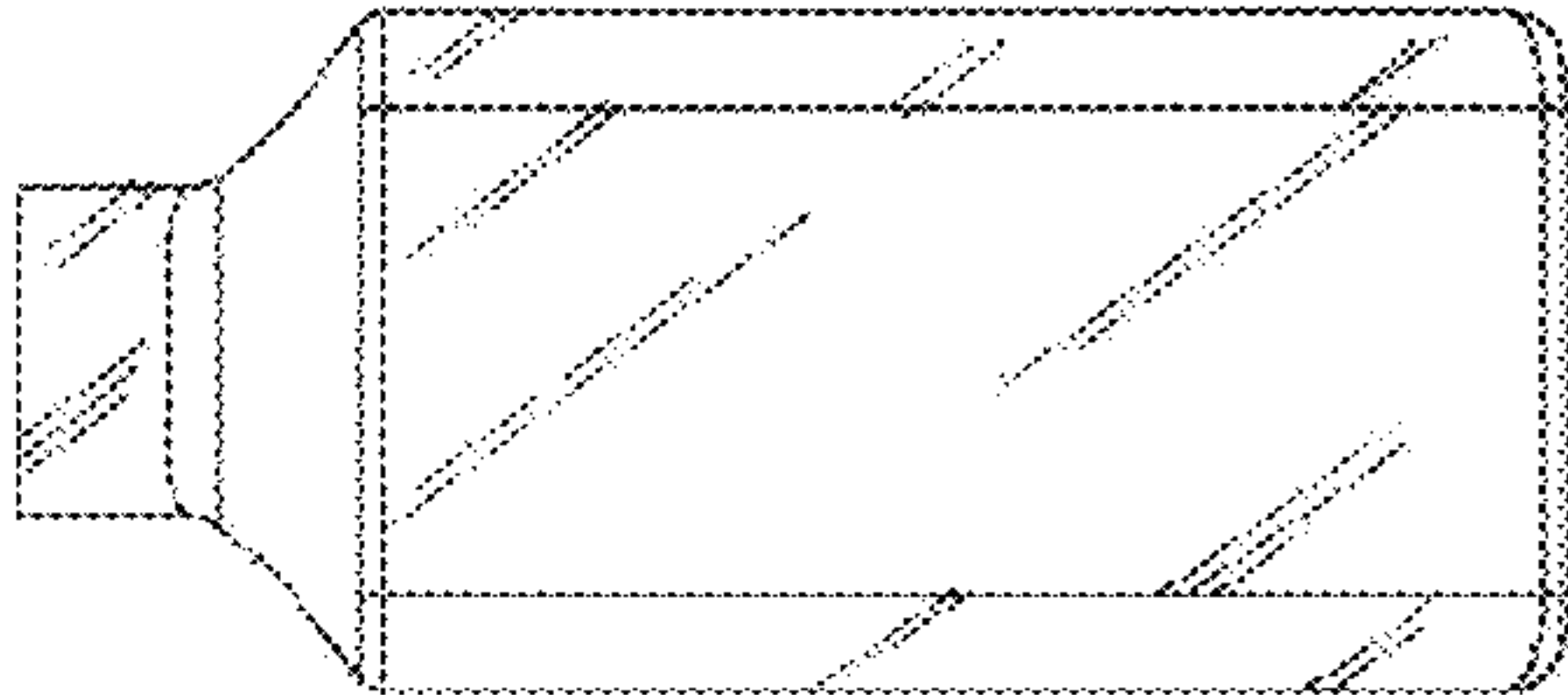


FIG. 3

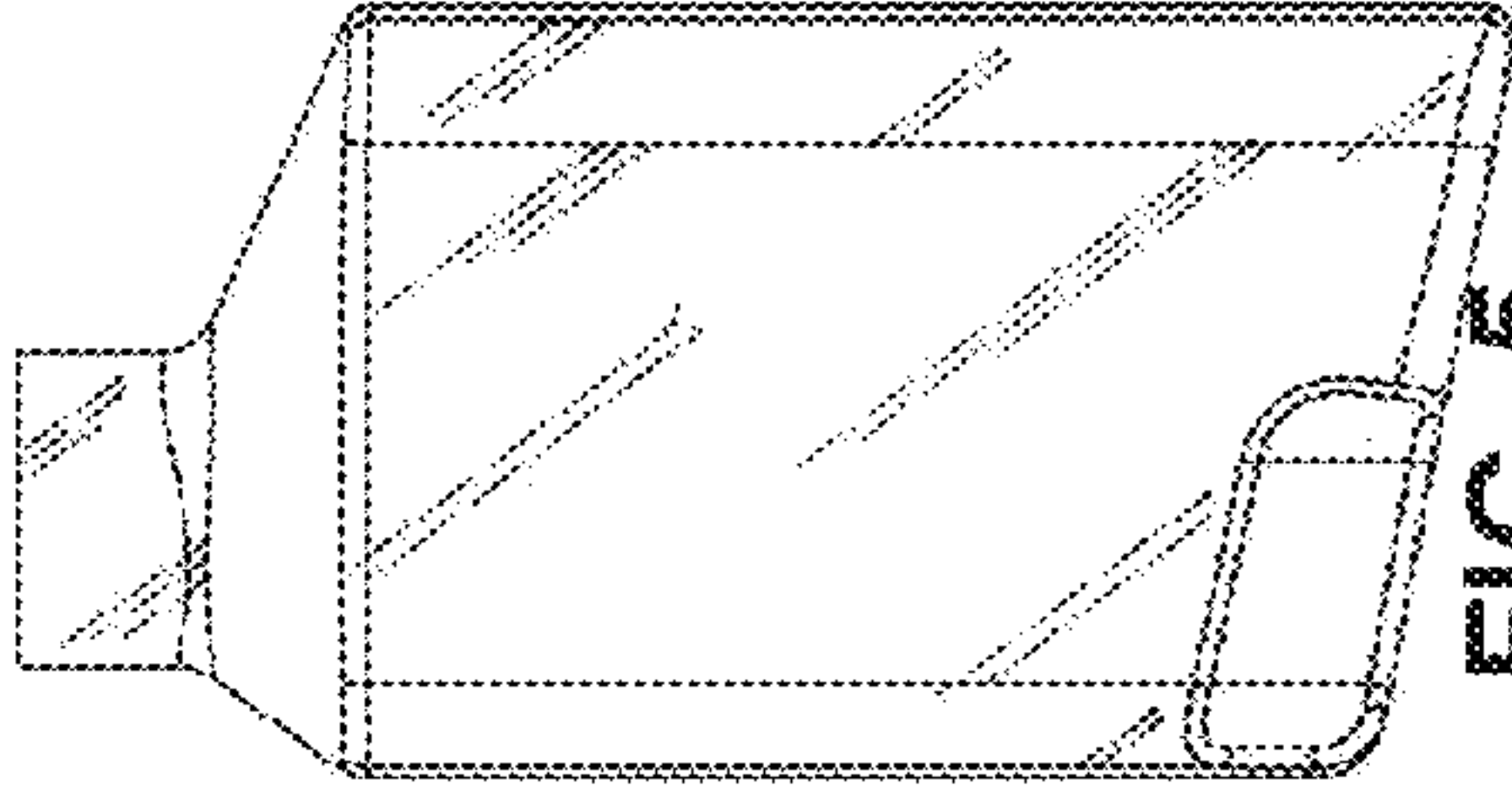


FIG. 5



FIG. 6

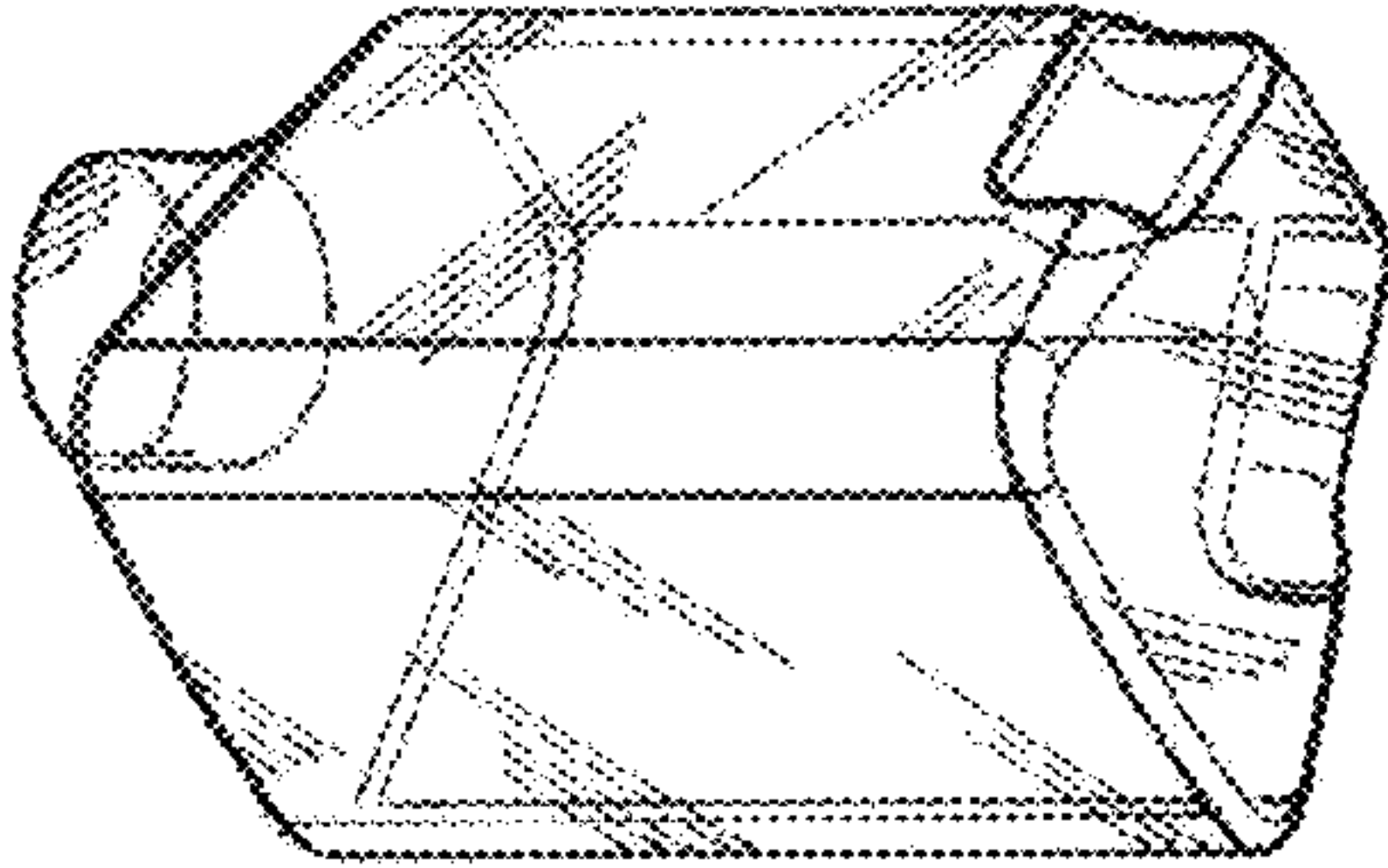


FIG. 7

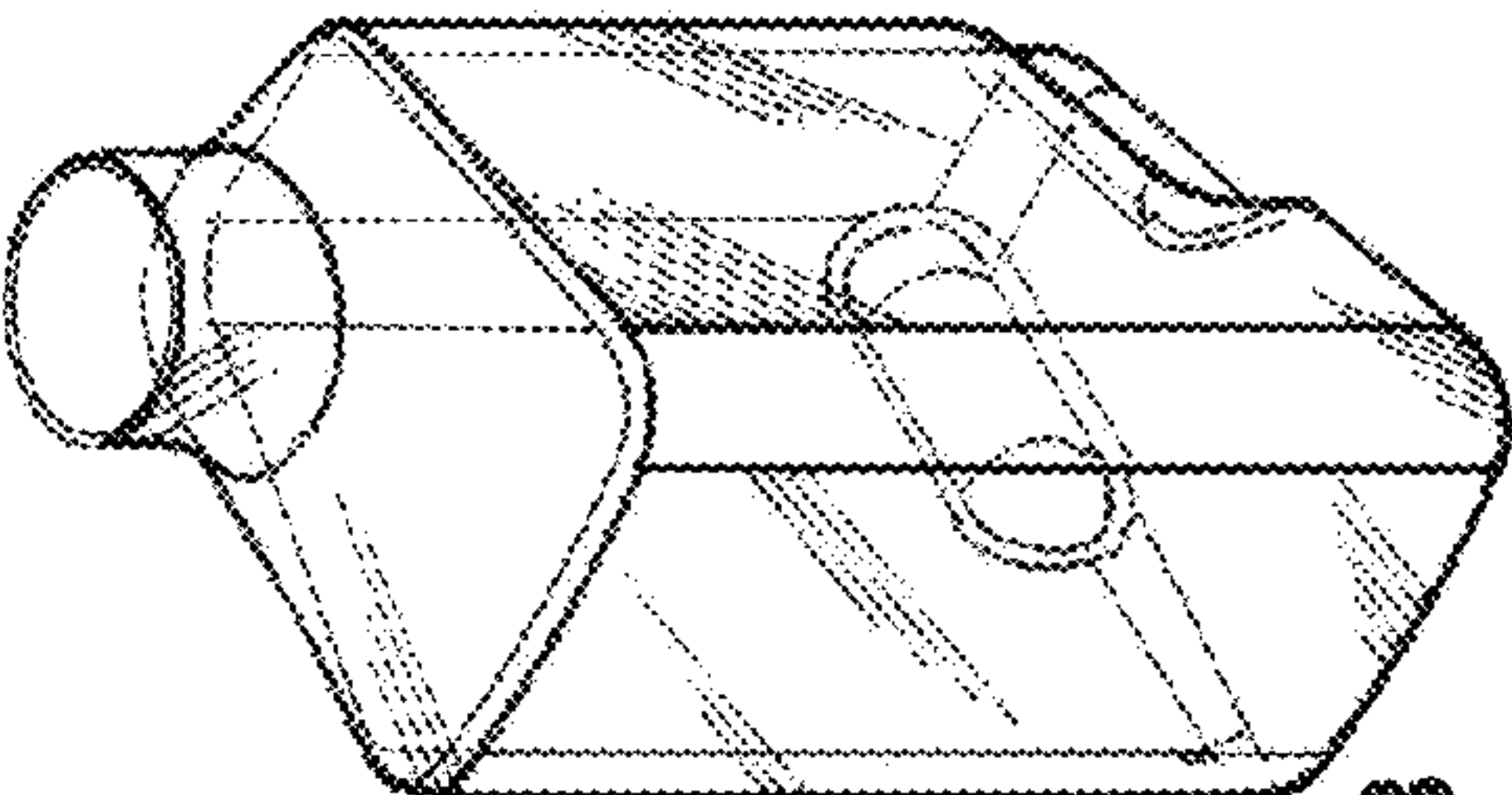


FIG. 8

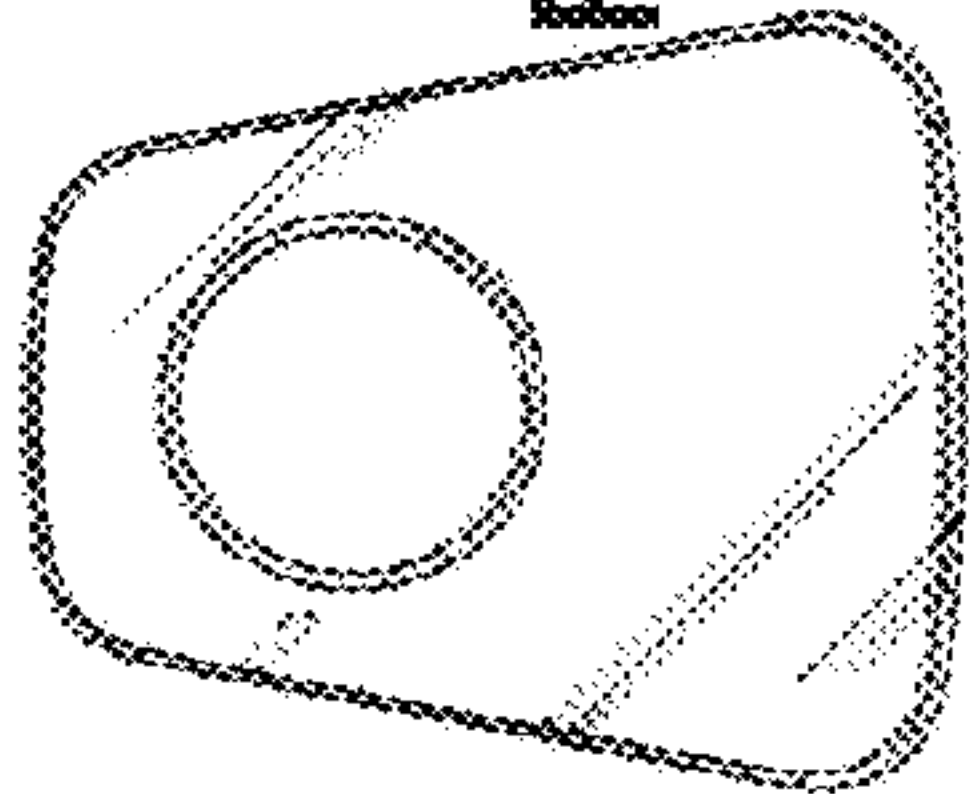


FIG. 4