

US00D721589S

(12) **United States Design Patent**
Sturdevant et al.

(10) **Patent No.:** **US D721,589 S**
(45) **Date of Patent:** **** Jan. 27, 2015**

(54) **JAR**

(71) Applicant: **Walgreen Co.**, Deerfield, IL (US)

(72) Inventors: **Laura Sturdevant**, Geneva, IL (US);
Ben Barber, Chicago, IL (US); **Liam D. Hawry**, Chicago, IL (US); **Brett R. Niggel**, Chicago, IL (US); **Scott M. Jost**, Wheaton, IL (US)

(73) Assignee: **Walgreen Co.**, Deerfield, IL (US)

(**) Term: **14 Years**

(21) Appl. No.: **29/460,306**

(22) Filed: **Jul. 9, 2013**

(51) **LOC (10) Cl.** **09-01**

(52) **U.S. Cl.**

USPC **D9/504**

(58) **Field of Classification Search**

CPC B65D 1/00; B65D 1/02; B65D 1/0223;
B65D 1/10; B65D 23/00; B65D 2501/00;
B65D 2501/0009

USPC D9/434-435, 444-445, 454, 500,
D9/502-505, 516, 529, 549, 558, 682, 686,
D9/688-691, 715, 719; D7/509-511, 523,
D7/601-602, 608, 615, 629; D23/366;
D26/9, 10, 11, 22; 215/379, 381-382;
220/660, 662, 669, 675

See application file for complete search history.

(56) **References Cited**

U.S. PATENT DOCUMENTS

2,670,868	A	*	3/1954	Stover et al.	215/46
D214,159	S	*	5/1969	Hart et al.	D9/503
D223,898	S	*	6/1972	Edwards	D9/500
D231,088	S	*	4/1974	Edwards	D9/776
D243,583	S	*	3/1977	Reynolds	D9/501
D243,584	S	*	3/1977	Reynolds	D9/500

D289,259	S	*	4/1987	Strand	D9/501
D298,592	S	*	11/1988	Stoop	D9/500
D388,329	S	*	12/1997	Bright et al.	D9/503
D406,764	S	*	3/1999	Bright et al.	D9/503
D420,767	S	*	2/2000	Coates et al.	D28/76
D421,156	S	*	2/2000	Coates et al.	D28/76
D424,444	S	*	5/2000	Lefebvre	D9/503
D661,192	S	*	6/2012	Hwang	D9/504

* cited by examiner

Primary Examiner — Ian Simmons

Assistant Examiner — Dana L Meyrow

(74) *Attorney, Agent, or Firm* — Marshall, Gerstein & Borun LLP

(57) **CLAIM**

The ornamental design for a jar, as shown and described.

DESCRIPTION

FIG. 1 is a top perspective view of a jar showing our new design, with the broken lines immediately adjacent to the shaded areas in the views represent the boundaries of the claimed design;

FIG. 2 is a front view of the jar of FIG. 1;

FIG. 3 is a top plan view of the jar of FIG. 1;

FIG. 4 is a bottom plan view of the jar of FIG. 1;

FIG. 5 is a perspective view showing the jar of FIG. 1, without the lid;

FIG. 6 is a front view of the jar of FIG. 5;

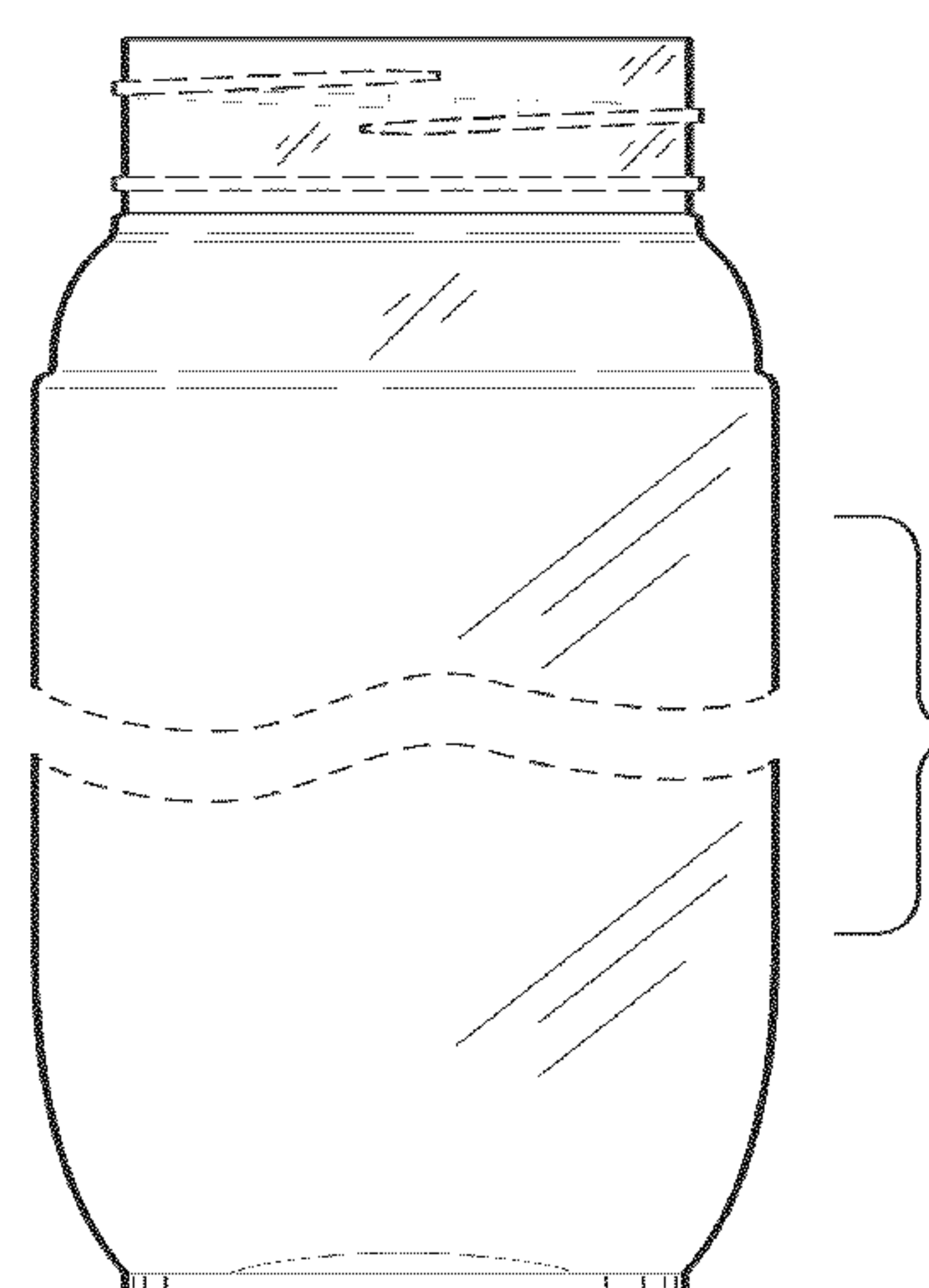
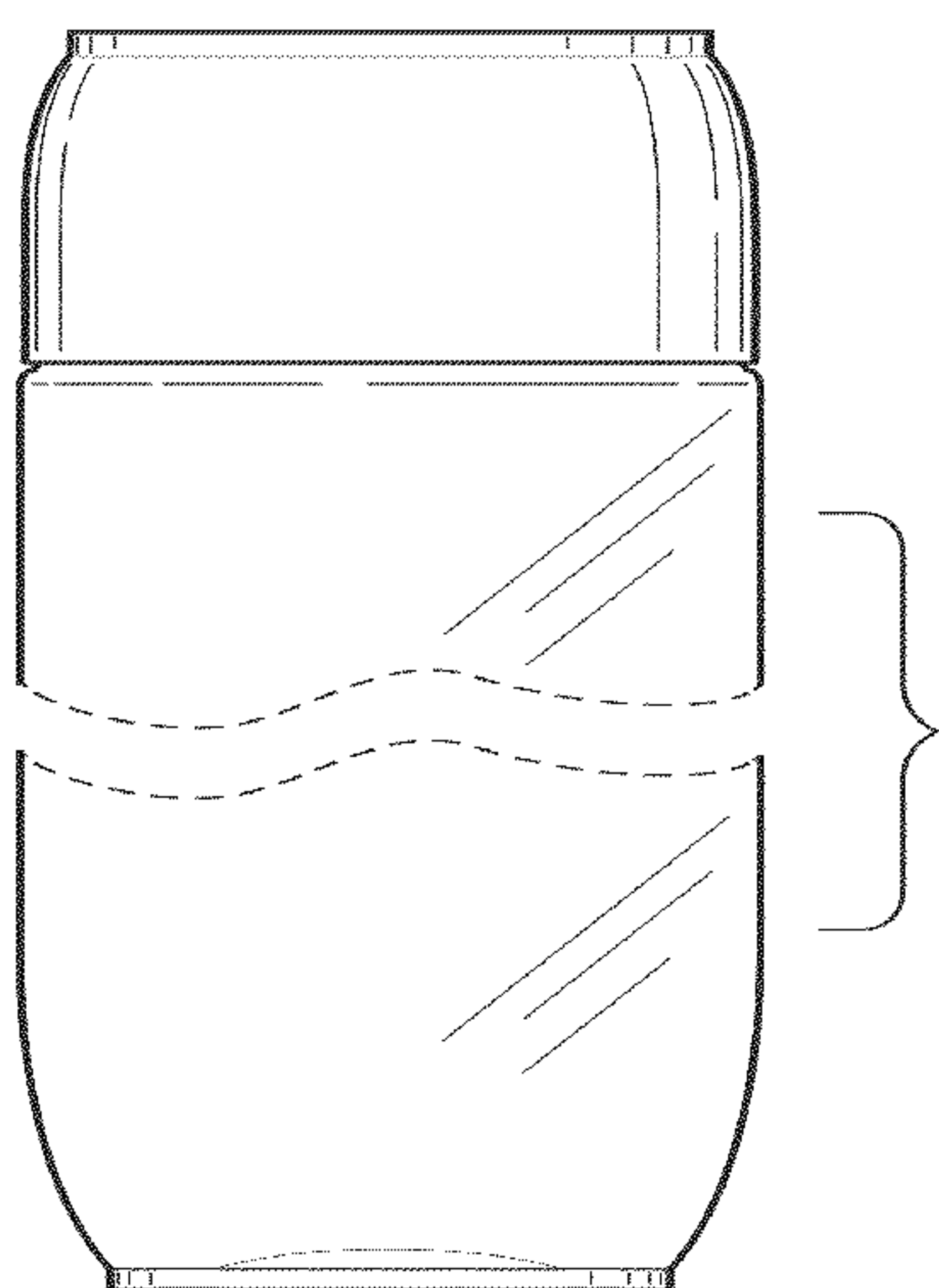
FIG. 7 is a top plan view of the jar of FIG. 5; and,

FIG. 8 is a bottom plan view of the jar of FIG. 5.

As illustrated, the jar portion of the claim is transparent and the lid portion is opaque. The stippling on the top surface of the lid illustrates contrasting surface texture.

The jar is shown broken in the middle to indicate no particular height is being claimed, with the understanding that the portion of the article not shown forms no part of the claimed design as patentability is based only on those portions of the article that are shown in solid lines.

1 Claim, 6 Drawing Sheets



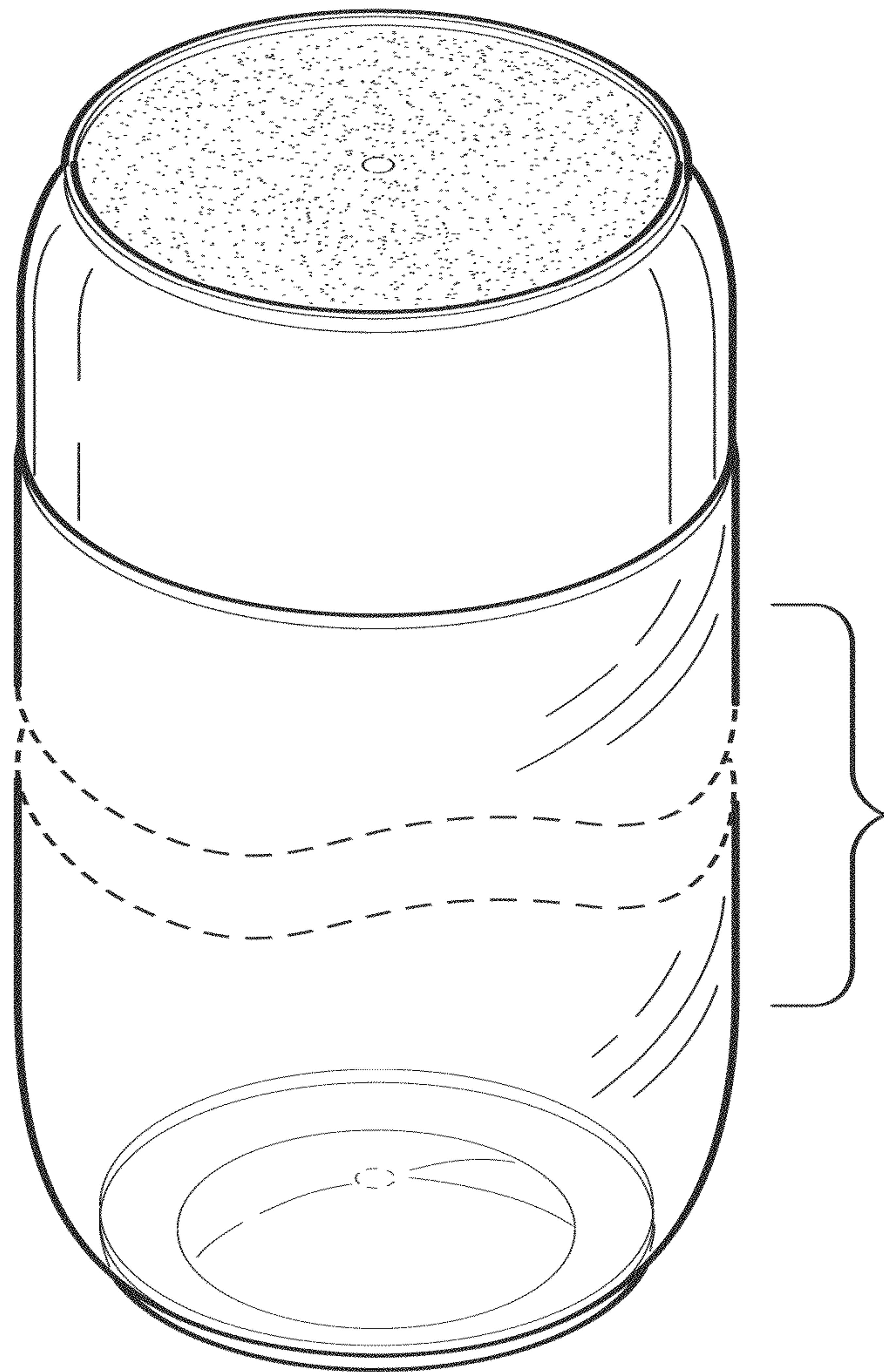


FIG. 1

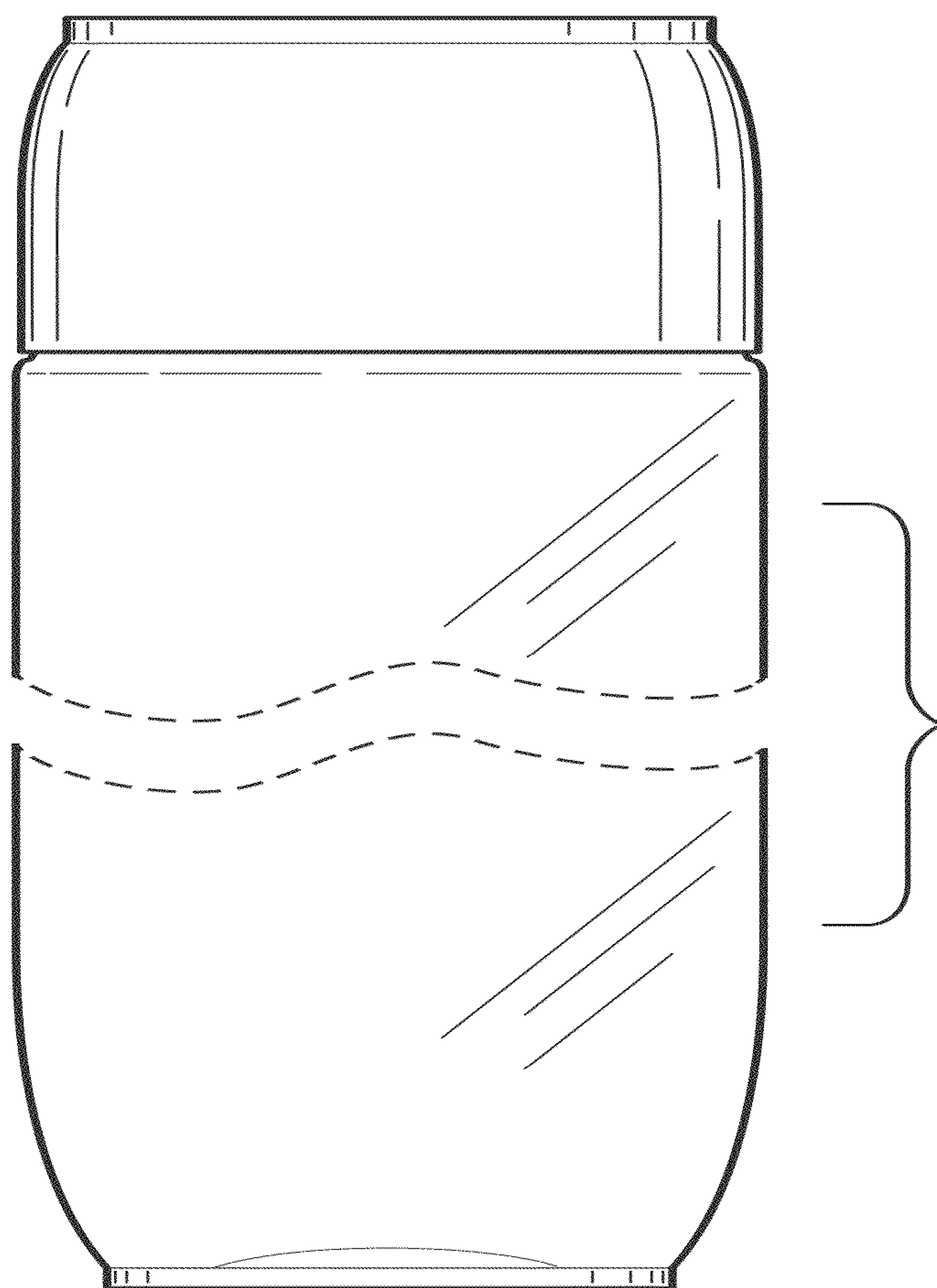


FIG. 2

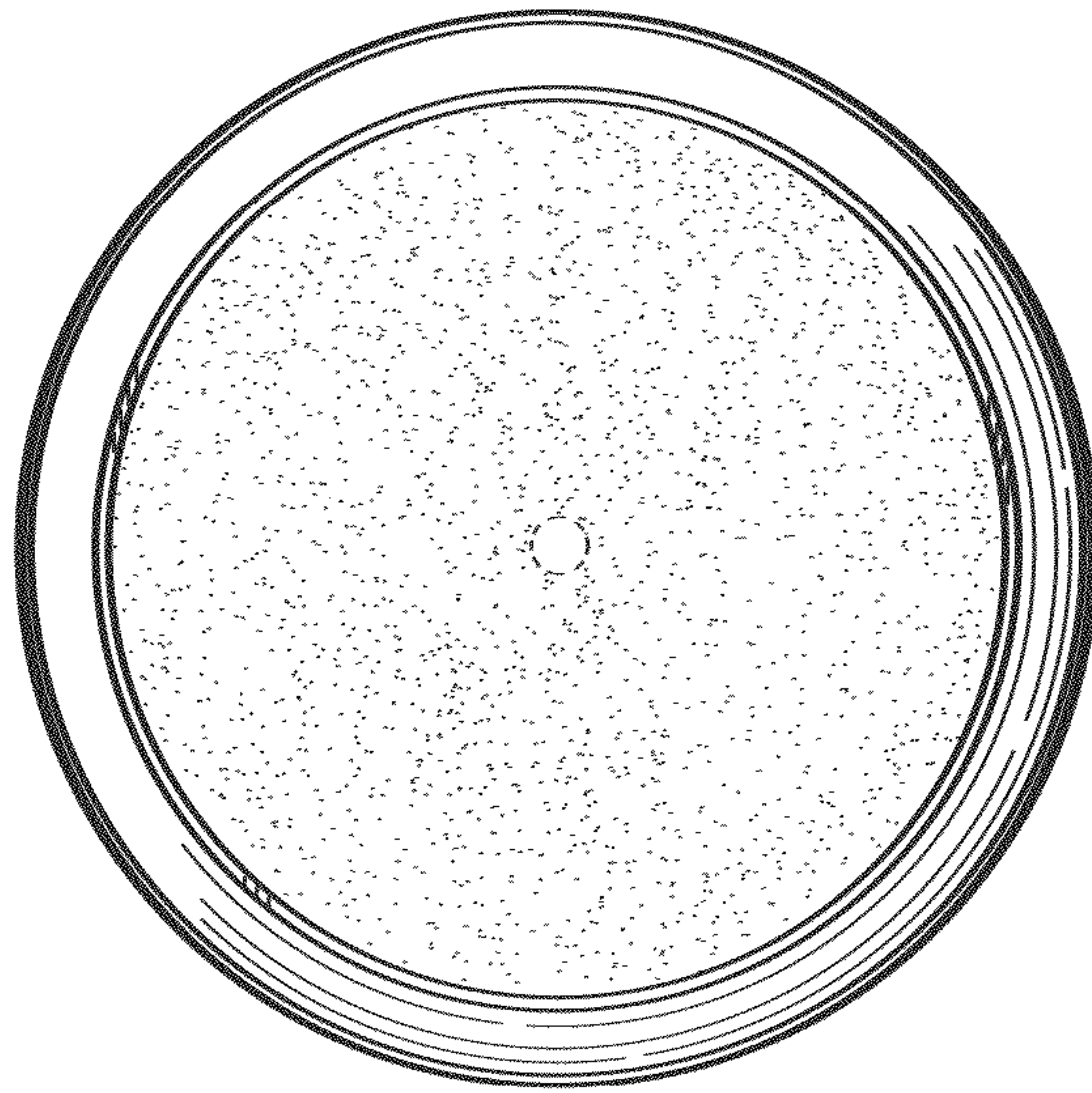


FIG. 3

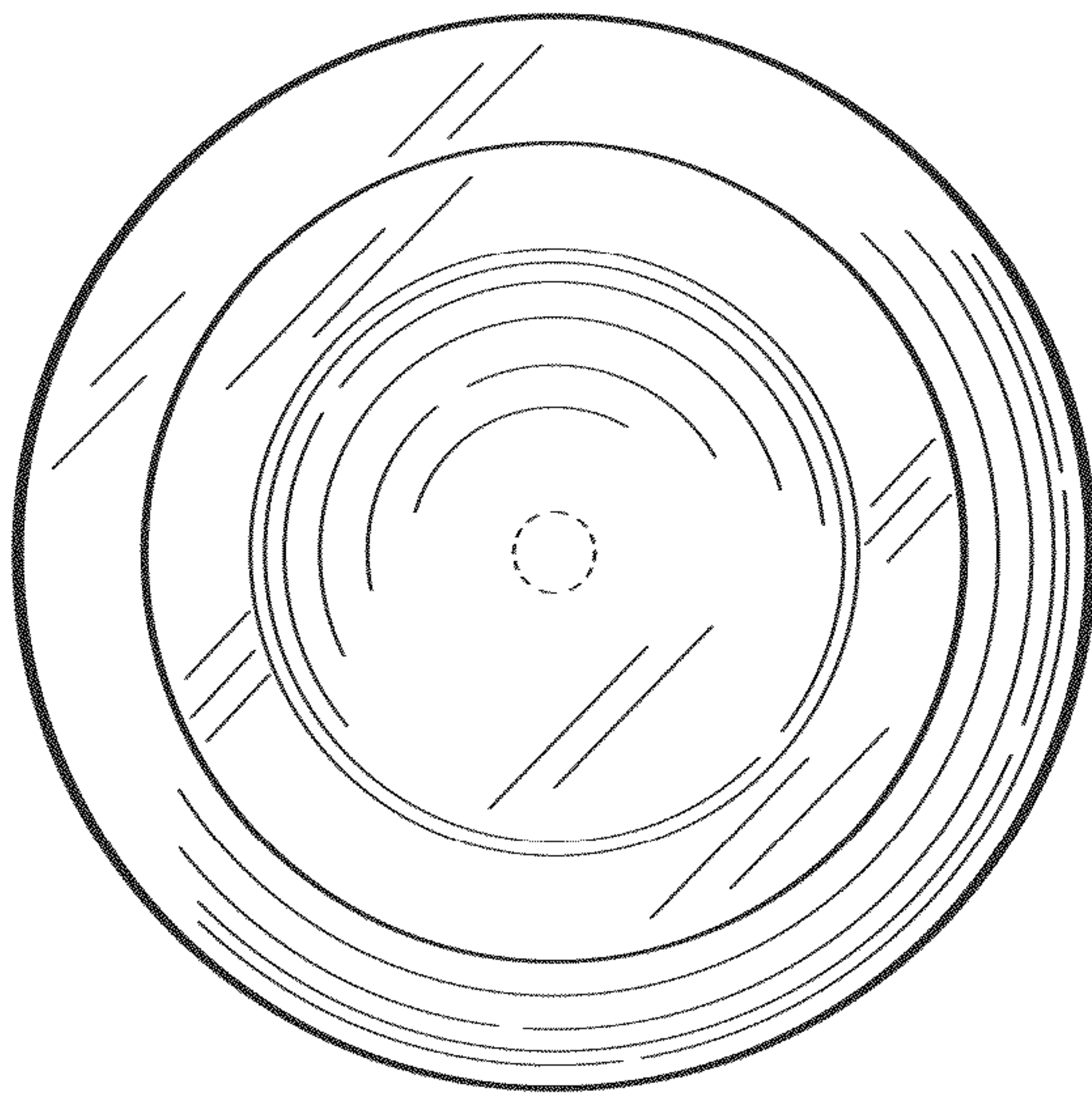


FIG. 4

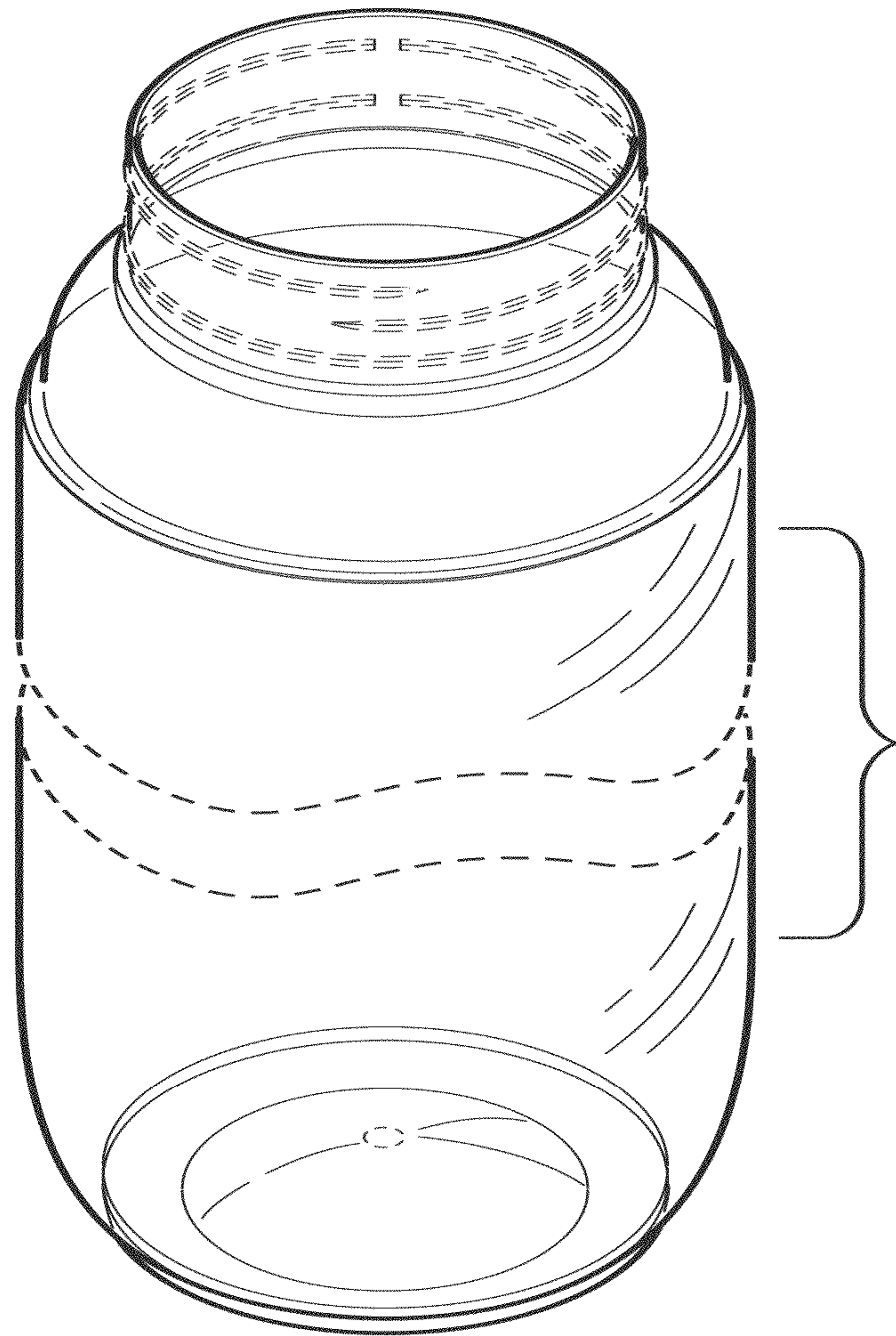


FIG. 5

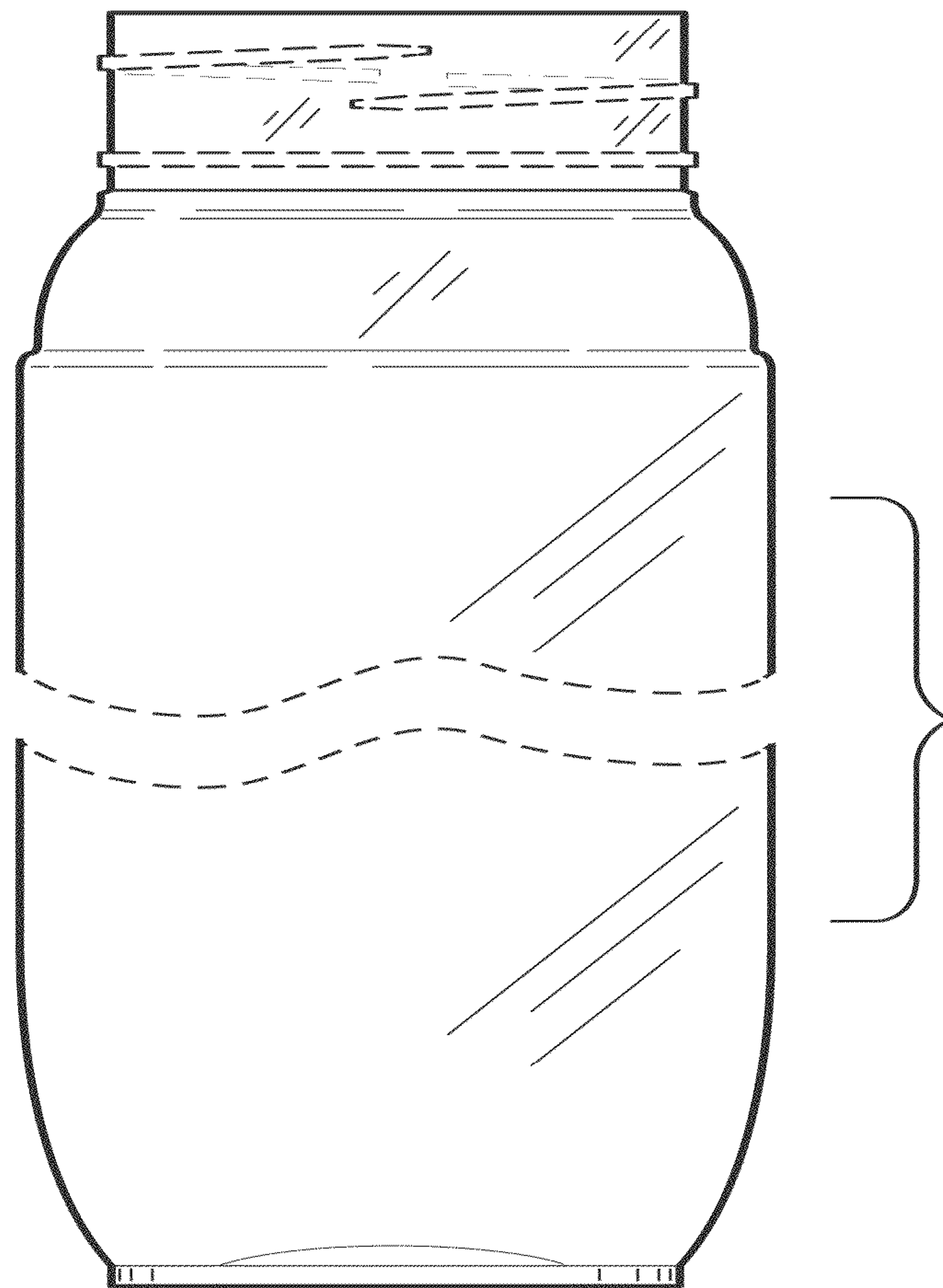


FIG. 6

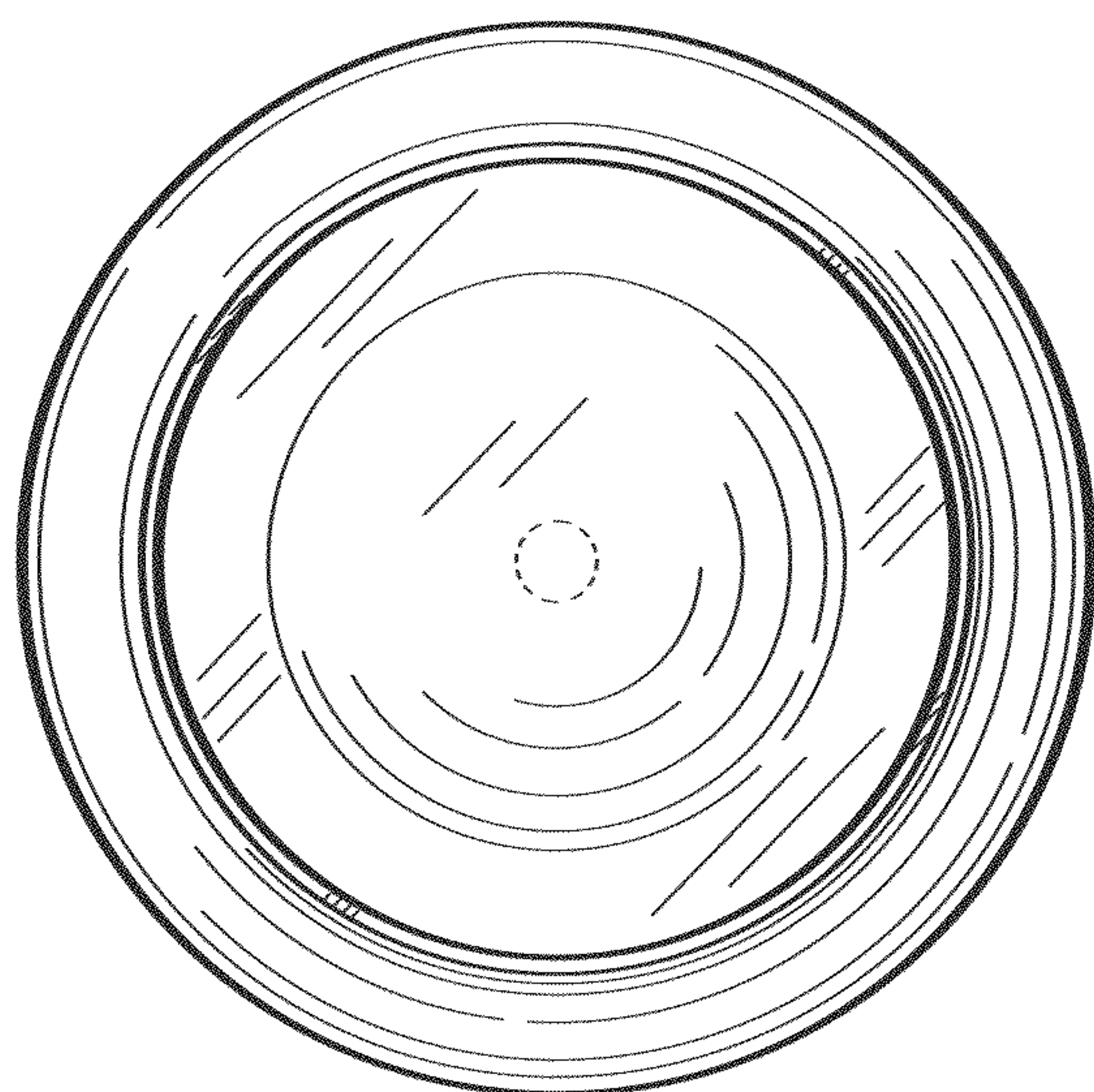


FIG. 7

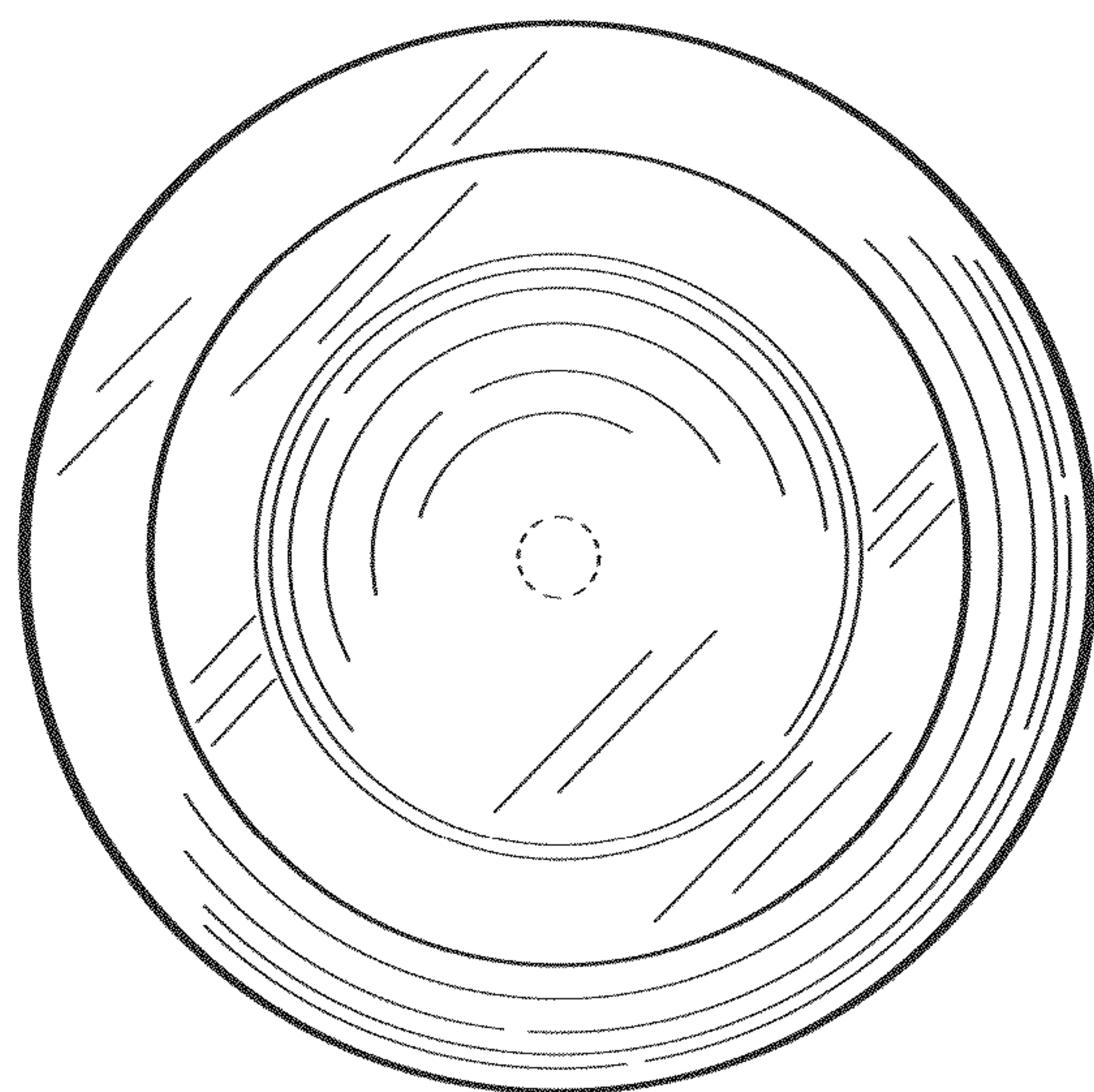


FIG. 8