



US00D721587S

(12) **United States Design Patent**
Bos et al.

(10) **Patent No.:** **US D721,587 S**

(45) **Date of Patent:** **** Jan. 27, 2015**

(54) **REFILL BOTTLE**

(71) Applicant: **Reckitt Benckiser LLC**, Parsippany, NJ (US)

(72) Inventors: **Randy Bos**, Eindhoven (NL); **Taco Dietvorst**, Eindhoven (NL); **James C. O'Hara**, Hamburg, NY (US); **Christopher Leonard Padain**, Henley on Thames (GB); **Stephanie Anne Marije Verschoor**, Middlesex (GB)

(73) Assignee: **Reckitt Benckiser LLC**, Parsippany, NJ (US)

(**) Term: **14 Years**

(21) Appl. No.: **29/481,964**

(22) Filed: **Feb. 12, 2014**

(30) **Foreign Application Priority Data**

Aug. 15, 2013 (EM) 002292334

(51) **LOC (10) Cl.** **09-01**

(52) **U.S. Cl.**
USPC **D9/500**

(58) **Field of Classification Search**
CPC B65D 1/00; B65D 1/02; B65D 1/0223;
B65D 23/00; B65D 2501/00; B65D 2501/0009
USPC D9/500, 502-505, 516, 529-530, 537,
D9/539, 549, 558, 682, 685-686, 688-691,
D9/715, 719; D23/366; 215/379, 381-382;
220/660, 669, 675

See application file for complete search history.

(56) **References Cited**

U.S. PATENT DOCUMENTS

D155,043	S	*	8/1949	Serra	D9/504
2,997,731	A	*	8/1961	Schultz	401/213
D211,563	S	*	7/1968	Cherry	D9/500
D237,944	S	*	12/1975	Taylor et al.	D9/500
D246,893	S	*	1/1978	Eron	D9/689
4,607,756	A	*	8/1986	Courtman	215/6
D285,903	S	*	9/1986	Courtman	D9/540
D392,191	S	*	3/1998	Nash et al.	D9/520
D416,805	S	*	11/1999	Mikla	D9/542
D460,545	S	*	7/2002	Hautmann et al.	D23/366
D472,147	S	*	3/2003	Herrmann	D9/504
D609,571	S	*	2/2010	Butler et al.	D9/504
D635,033	S	*	3/2011	Heflin, III	D9/558
D673,452	S	*	1/2013	Handy	D9/500
D689,664	S	*	9/2013	Dietvorst et al.	D32/75

* cited by examiner

Primary Examiner — Ian Simmons

Assistant Examiner — Dana L Meyrow

(74) *Attorney, Agent, or Firm* — Norris McLaughlin & Marcus PA

(57) **CLAIM**

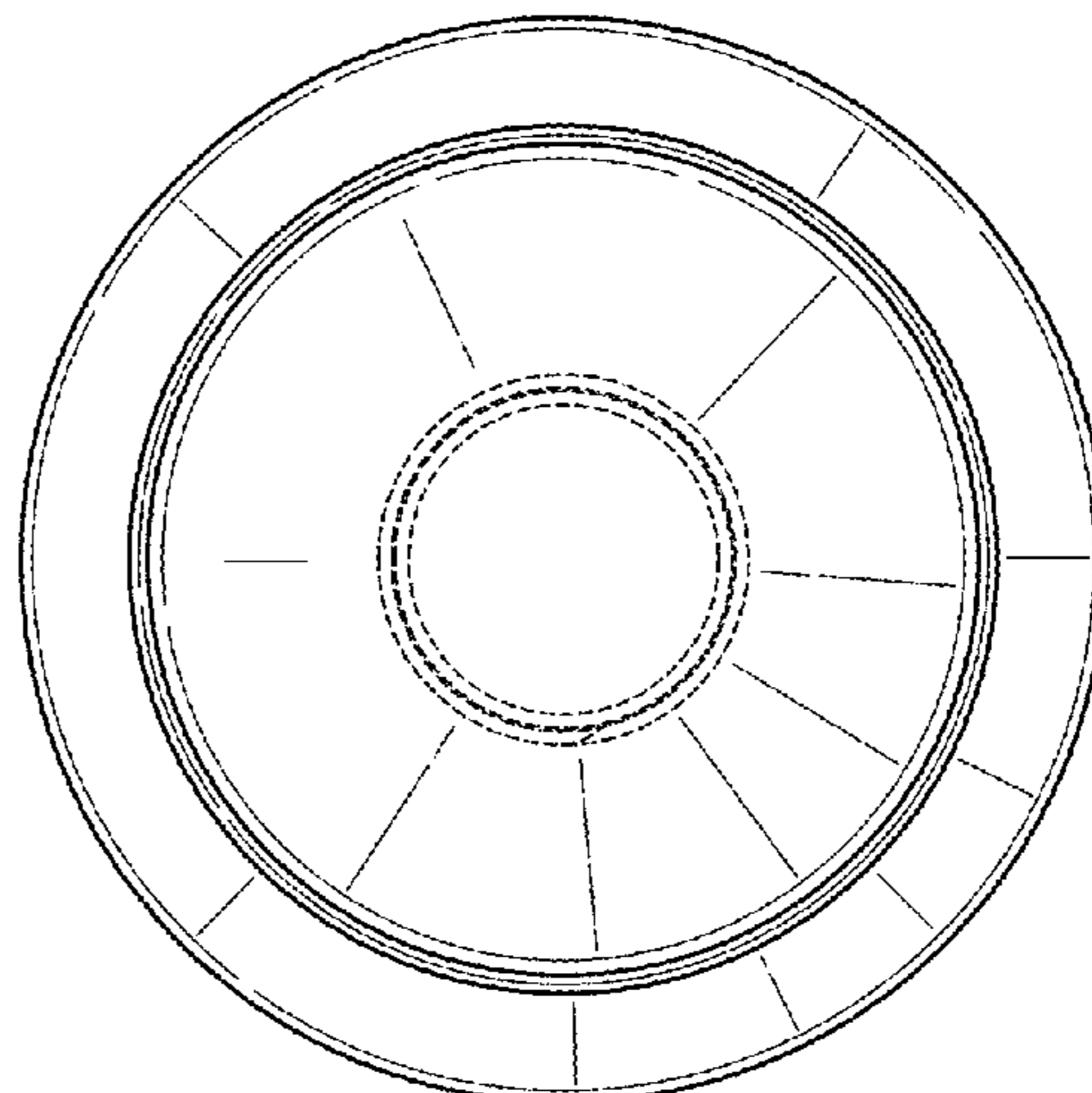
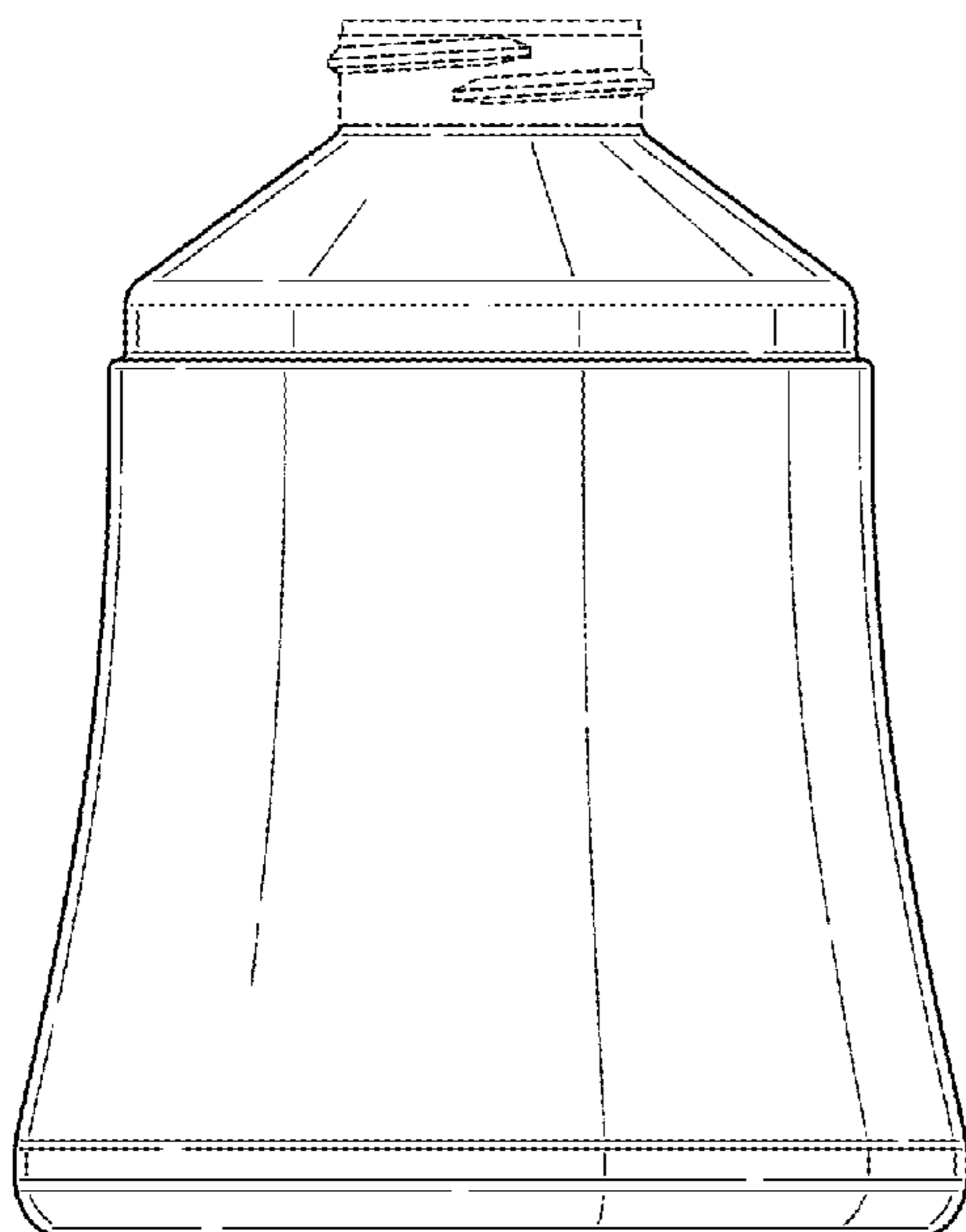
The ornamental design for a refill bottle, as shown and described.

DESCRIPTION

FIG. 1 is a front and side perspective view of our refill bottle; FIG. 2 is a front elevational view thereof; FIG. 3 is a rear elevational view thereof; FIG. 4 is a right side elevational view thereof; FIG. 5 is a left side elevational view thereof; FIG. 6 is a top plan view thereof; and, FIG. 7 is a bottom plan view thereof.

The features shown in broken lines in the drawings are for the purpose of illustrating environmental structure, and form no part of the claimed design.

1 Claim, 4 Drawing Sheets



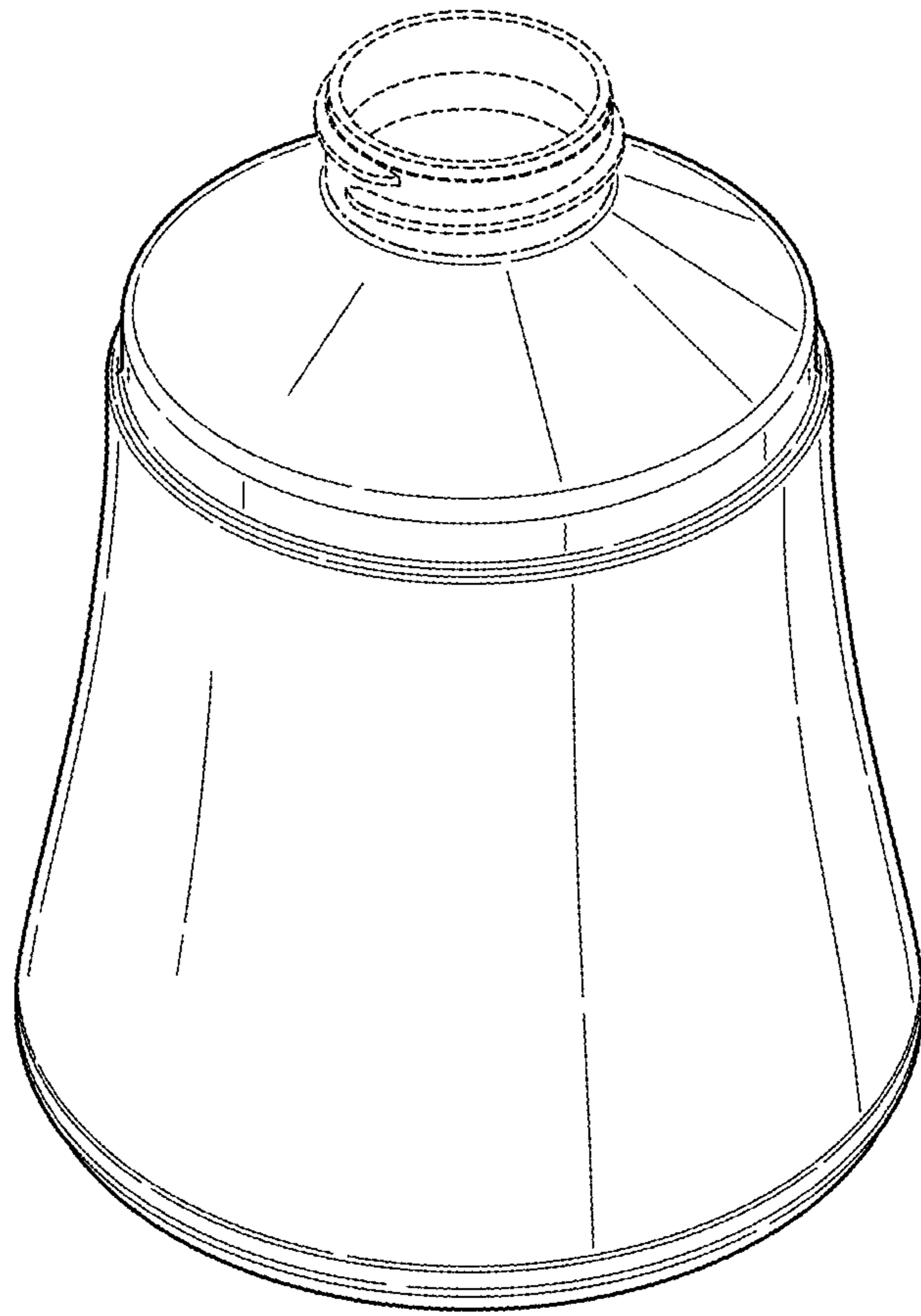


Fig. 1

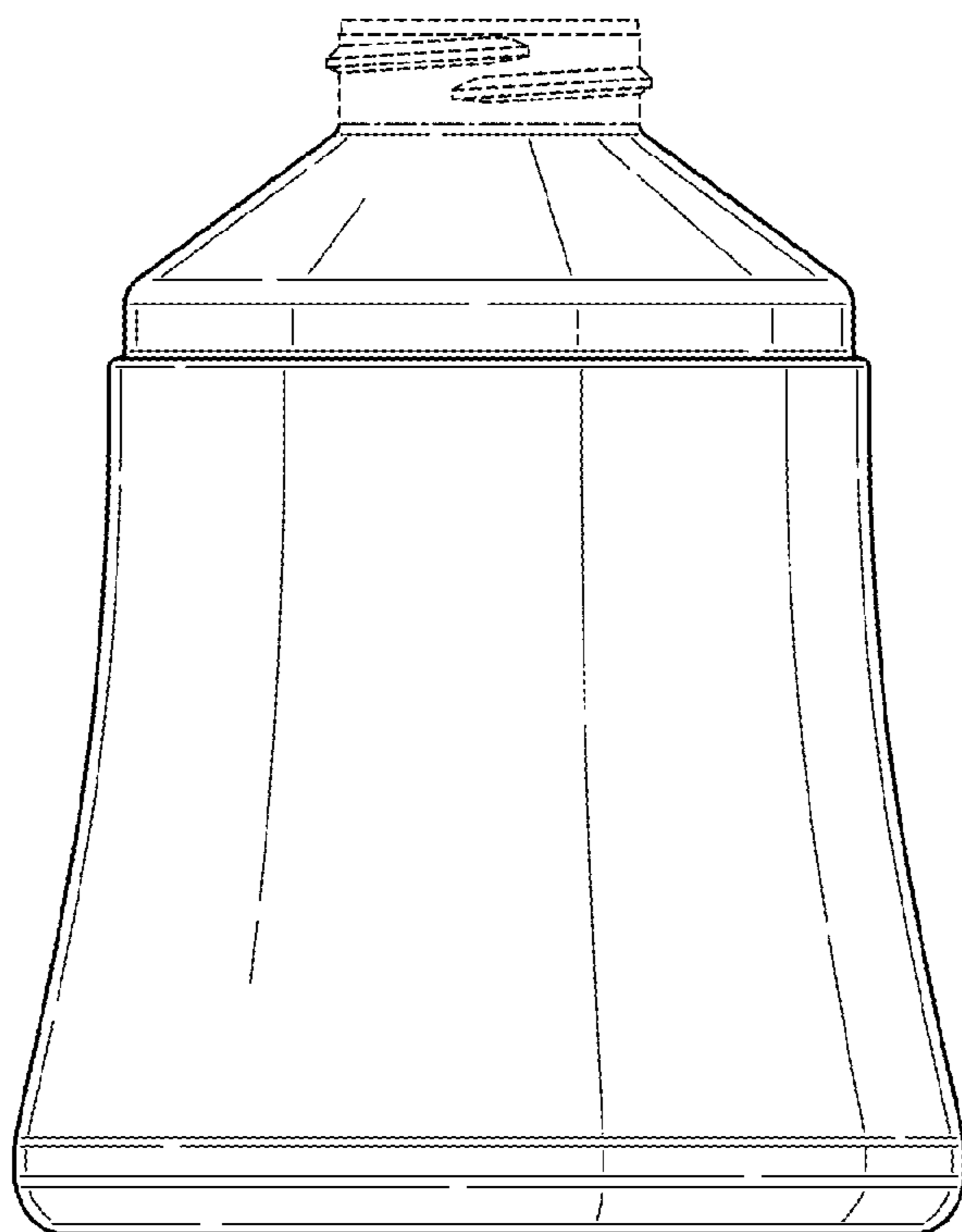


Fig. 2

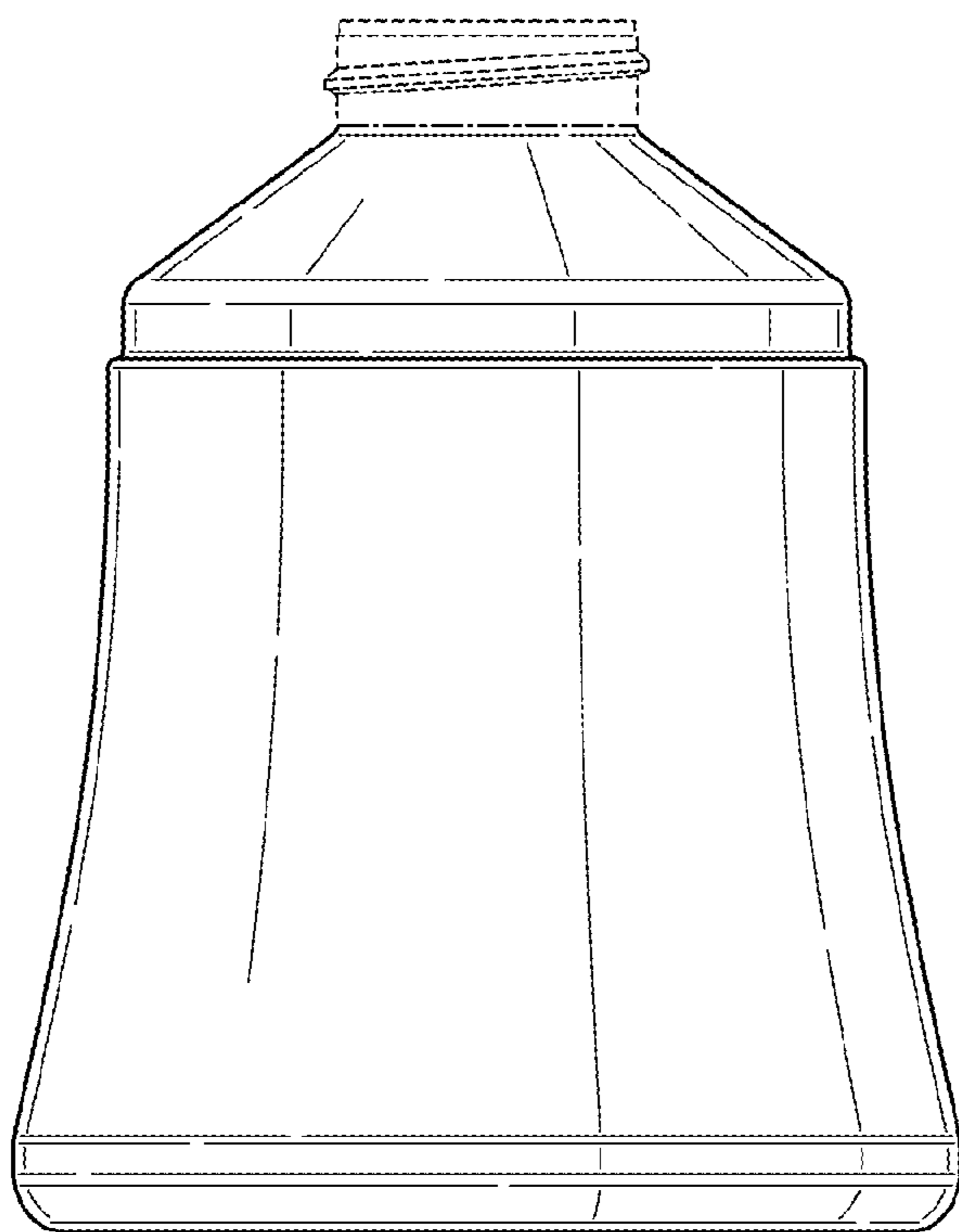


Fig. 3

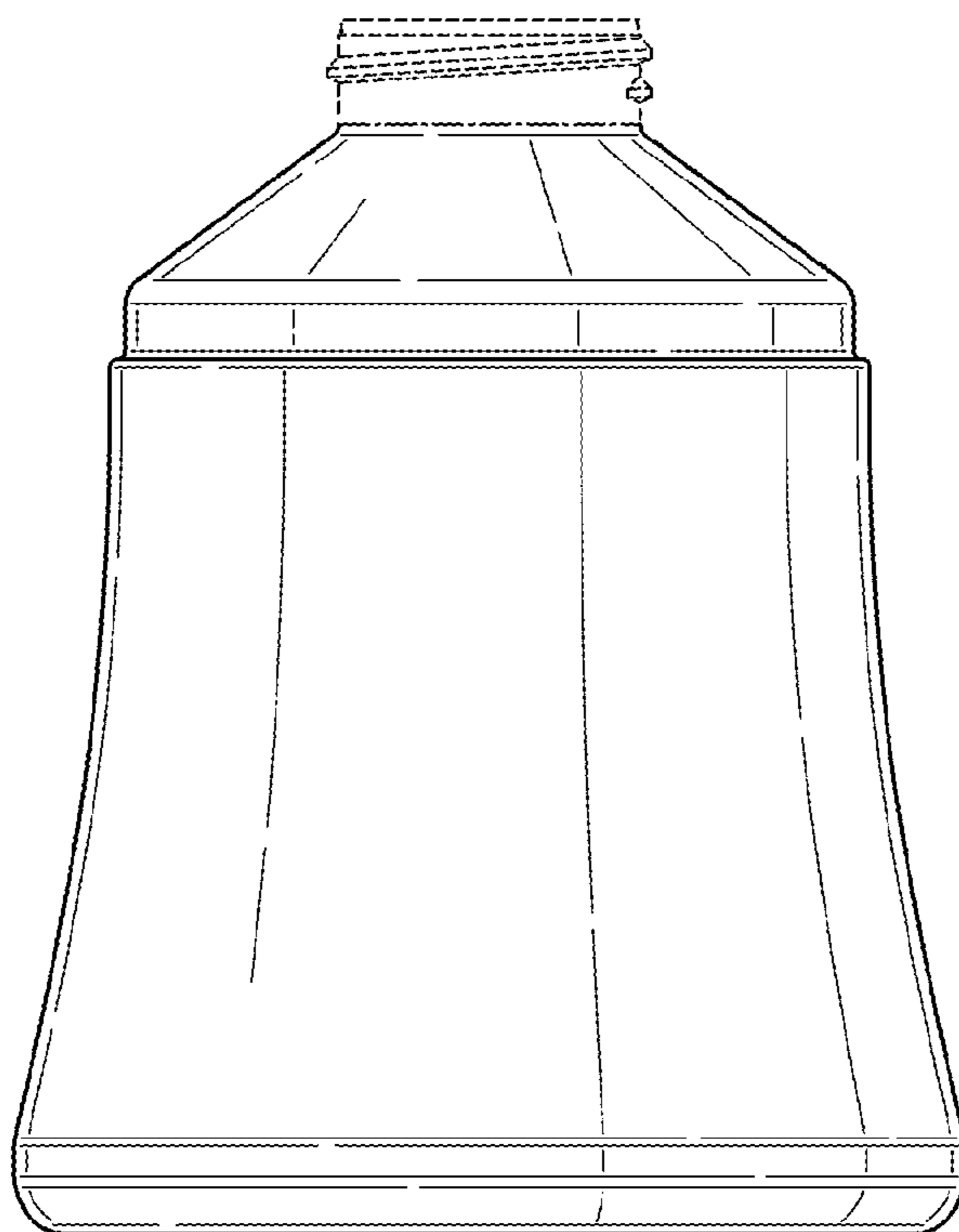


Fig. 4

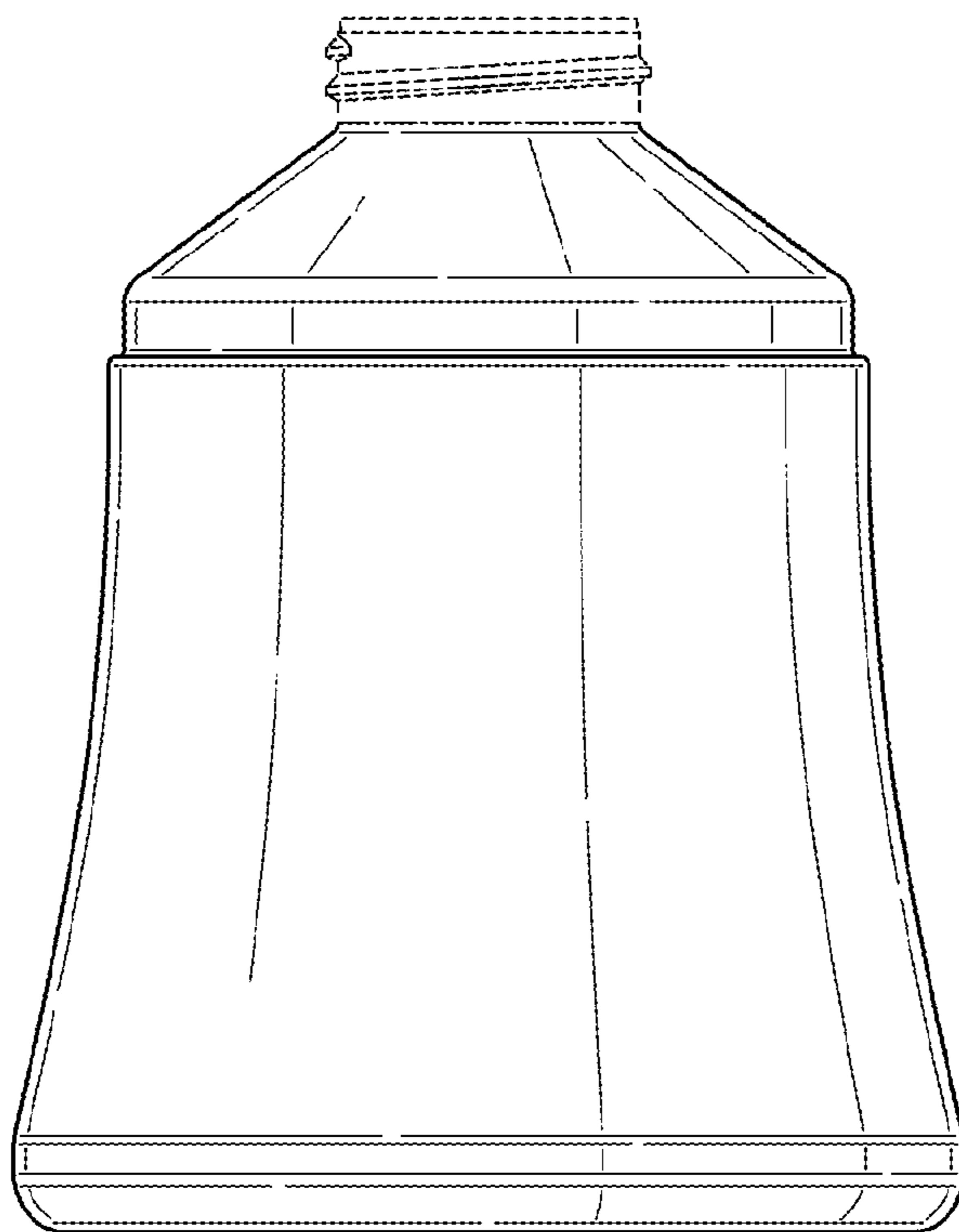


Fig. 5

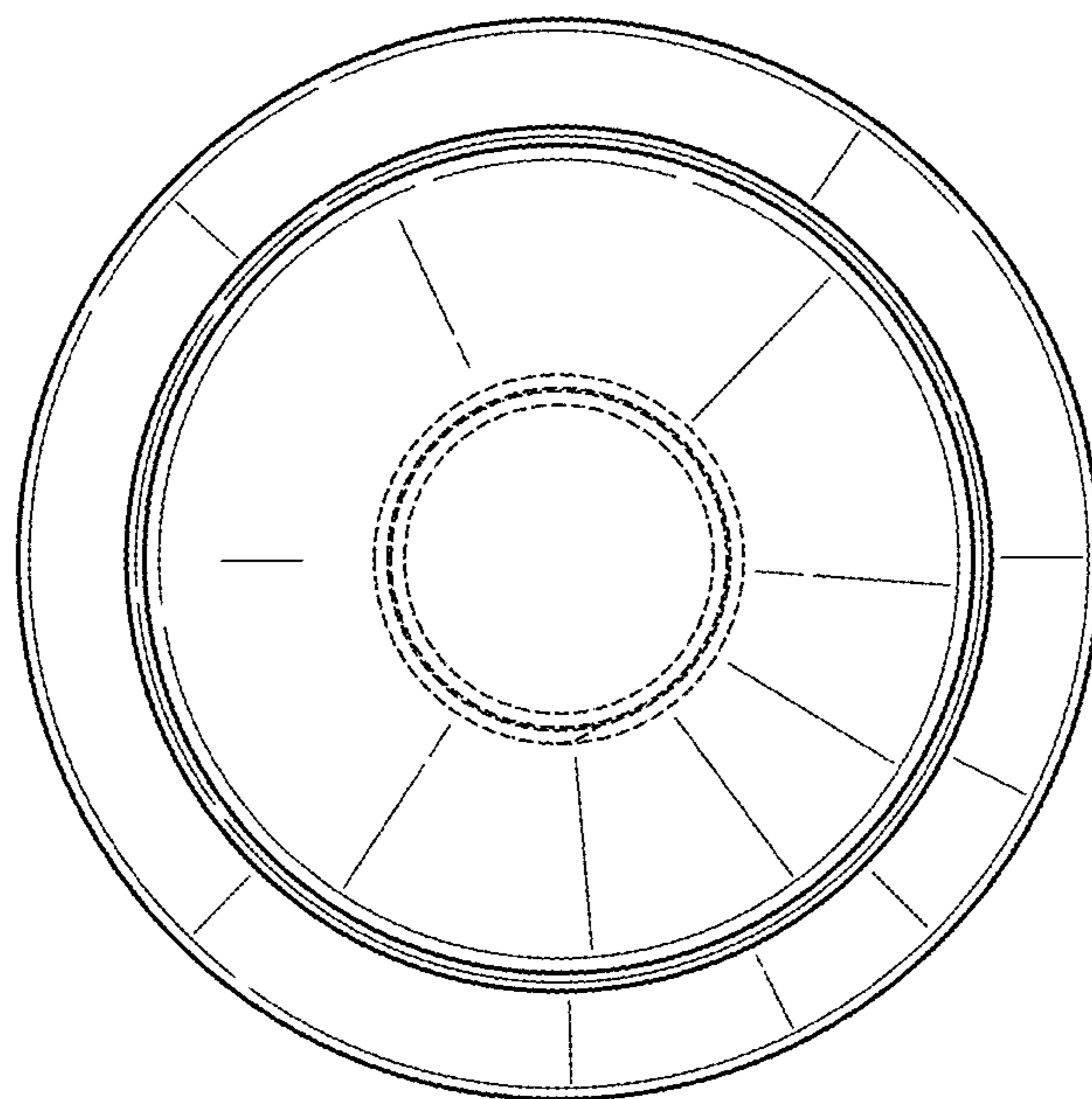


Fig. 6

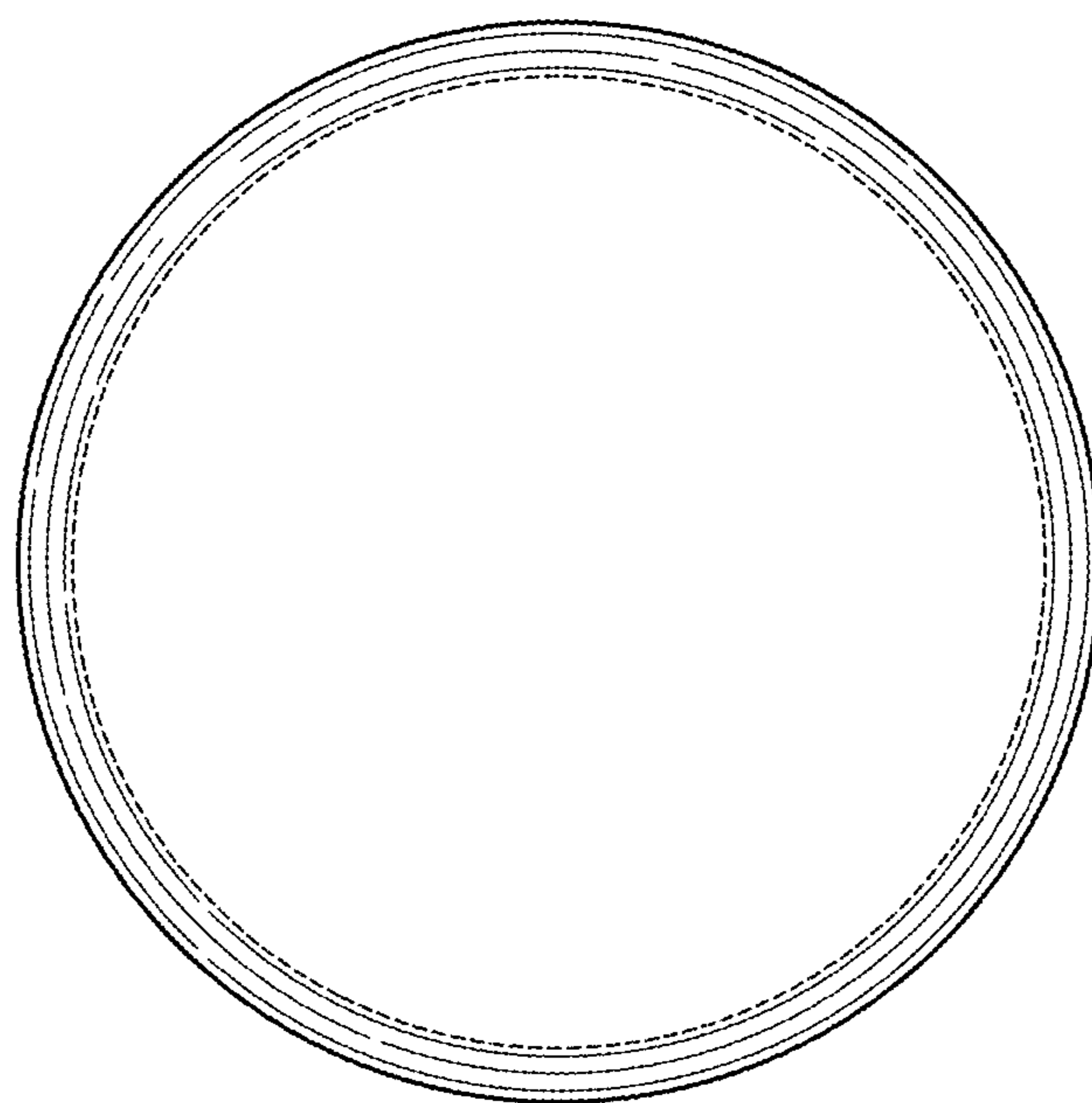


Fig. 7