



US00D721586S

(12) **United States Design Patent**
Sharpe et al.

(10) **Patent No.:** **US D721,586 S**
(45) **Date of Patent:** **** Jan. 27, 2015**

(54) **CONTAINER**

(71) Applicant: **Glaxo Group Limited**, Brentford,
Middlesex (GB)
(72) Inventors: **Tim Sharpe**, Warwick (GB); **Jonathan Stewart**, Warwick (GB); **Stuart Cole**,
Warwick (GB)
(73) Assignee: **Glaxo Group Limited**, Brentford,
Middlesex (GB)

(**) Term: **14 Years**

(21) Appl. No.: **29/471,974**

(22) Filed: **Nov. 7, 2013**

(51) **LOC (10) Cl.** **09-01**

(52) **U.S. Cl.**
USPC **D9/500; D9/539**

(58) **Field of Classification Search**
CPC B65D 1/00; B65D 1/02; B65D 1/0223;
B65D 23/00
USPC D9/500-505, 516, 519, 530, 537-540,
D9/549, 558, 682, 685-686, 688-691;
D6/542; 215/379, 381-382; 220/660,
220/669, 675

See application file for complete search history.

(56) **References Cited**

U.S. PATENT DOCUMENTS

D128,365 S *	7/1941	Daum	D9/500
D183,127 S *	7/1958	Johnson	D9/503
D185,031 S *	4/1959	Menefee, Jr.	D9/545
D187,559 S *	3/1960	Horne	D9/500
D219,262 S *	11/1970	Lamelet	D9/500
D392,894 S	3/1998	Steih et al.	
D419,058 S	1/2000	Roth et al.	
D427,057 S	6/2000	Roth et al.	
D427,514 S	7/2000	Roth et al.	
D427,515 S	7/2000	Roth et al.	
D428,813 S *	8/2000	Haley	D9/500

D441,297 S	5/2001	Albright et al.	
D455,351 S *	4/2002	Bailey	D9/502
D467,179 S *	12/2002	Nelson et al.	D9/503
D469,699 S *	2/2003	Crawford et al.	D9/551
D479,999 S	9/2003	Moore	
D497,549 S *	10/2004	Andrews et al.	D9/500
D500,447 S *	1/2005	Snyder	D9/542
D505,864 S *	6/2005	Snyder	D9/542
D513,591 S *	1/2006	Ducret	D9/504
D531,903 S	11/2006	Haubein	
D538,661 S	3/2007	Wolf et al.	
D548,087 S	8/2007	Wolf et al.	
D577,593 S	9/2008	Hestehave	
D585,293 S *	1/2009	Honkawa	D9/539
D595,135 S	6/2009	Goetz	
D608,210 S	1/2010	Kuzma et al.	
D609,570 S	2/2010	Suchenski et al.	

(Continued)

FOREIGN PATENT DOCUMENTS

GB	2087392	4/1999
GB	2088297	11/1999
GB	3025172	6/2006

Primary Examiner — Ian Simmons

Assistant Examiner — Dana L Meyrow

(74) *Attorney, Agent, or Firm* — Joshua C. Sanders;
Theodore R. Furman

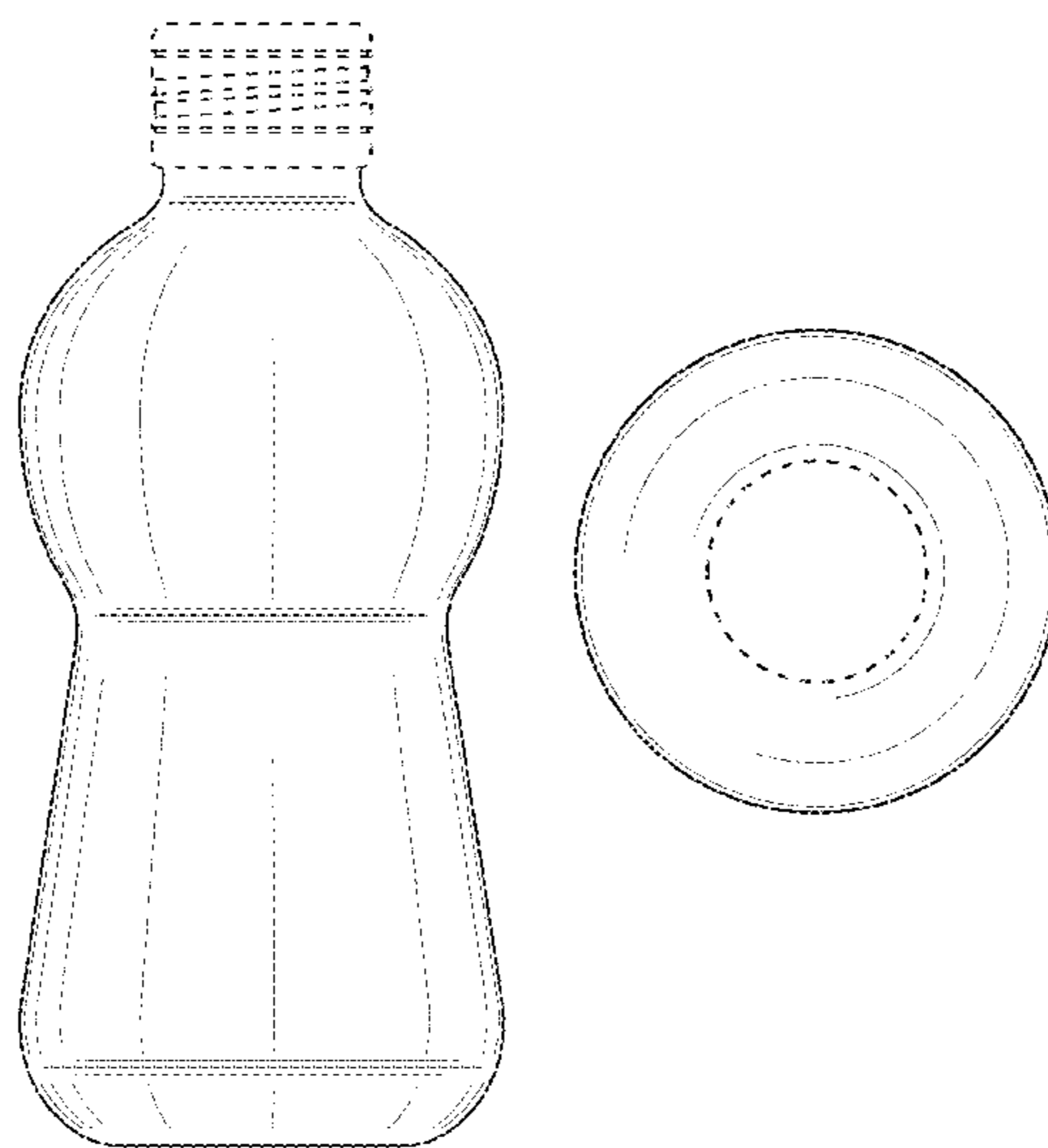
(57) **CLAIM**

The ornamental design for a container, as shown and described.

DESCRIPTION

FIG. 1 is a top perspective view of a container showing our new design;
FIG. 2 is a front elevational view thereof;
FIG. 3 is a rear elevational view thereof;
FIG. 4 is a top plan view thereof; and,
FIG. 5 is a bottom plan view thereof.
The broken lines in the drawings illustrate the portions of the design that form no part of the claim.

1 Claim, 4 Drawing Sheets



(56)

References Cited

U.S. PATENT DOCUMENTS

D610,010 S	2/2010	Schwartz et al.		D631,285 S	1/2011	Smiedt et al.	
D614,030 S *	4/2010	Kuzma et al.	D9/500	D631,286 S	1/2011	Smiedt et al.	
D615,403 S	5/2010	Goetz		D632,576 S	2/2011	Hermel	
D615,870 S	5/2010	Bourne		D644,929 S	9/2011	White et al.	
D620,361 S	7/2010	Scott		D648,633 S	11/2011	Boukobza	
D620,362 S	7/2010	Boukobza		D650,675 S	12/2011	Schwartz et al.	
D620,758 S	8/2010	Smiedt et al.		D650,676 S	12/2011	Schwartz et al.	
D621,660 S	8/2010	Smiedt et al.		D650,689 S	12/2011	Schwartz et al.	
D621,715 S	8/2010	Schwartz et al.		D652,307 S	1/2012	White et al.	
D623,012 S	9/2010	White et al.		D653,951 S	2/2012	Scott	
D623,529 S *	9/2010	Yourist et al.	D9/538	D661,993 S	6/2012	Denham et al.	
D624,427 S *	9/2010	Yourist et al.	D9/538	D668,157 S	10/2012	Colloud	
				D699,108 S *	2/2014	Cox et al.	D9/500
				D699,110 S *	2/2014	Cox et al.	D9/500

* cited by examiner

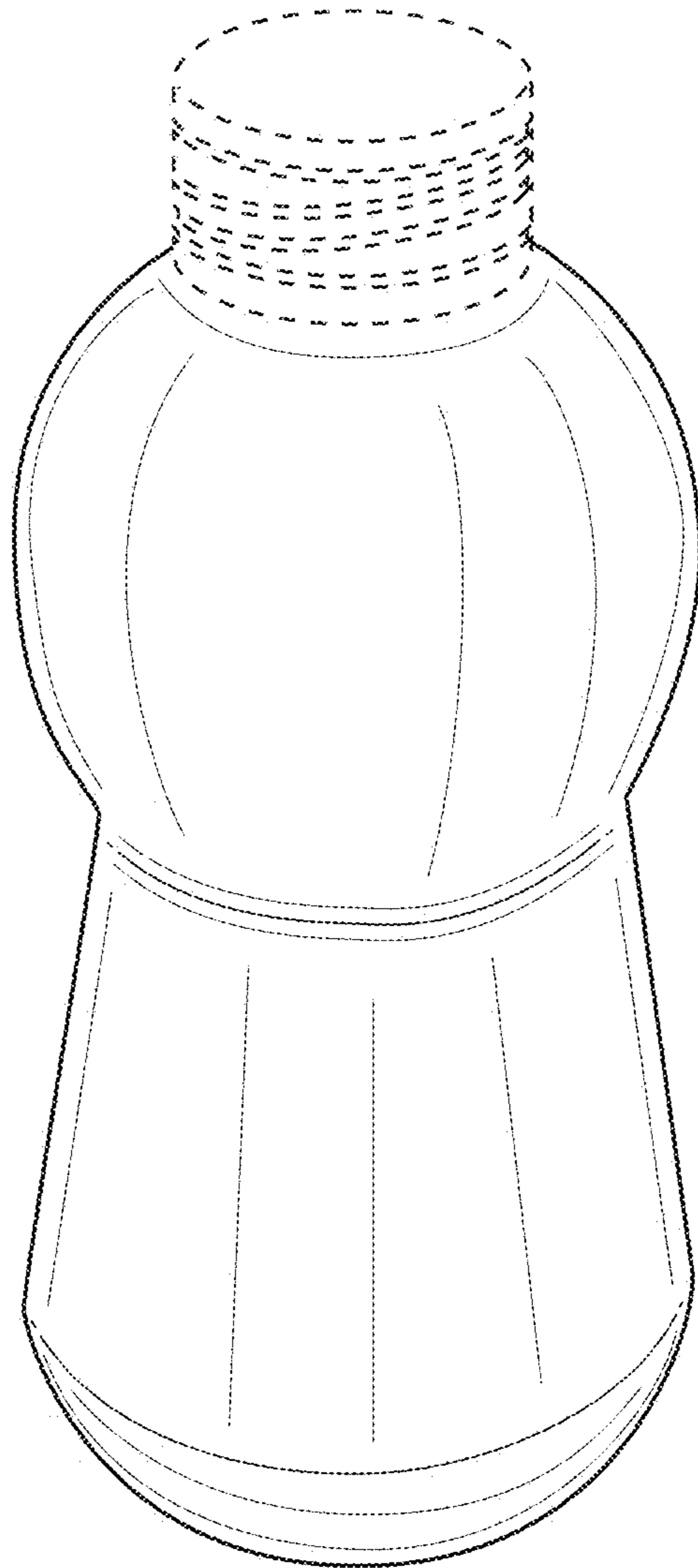


FIG. 1

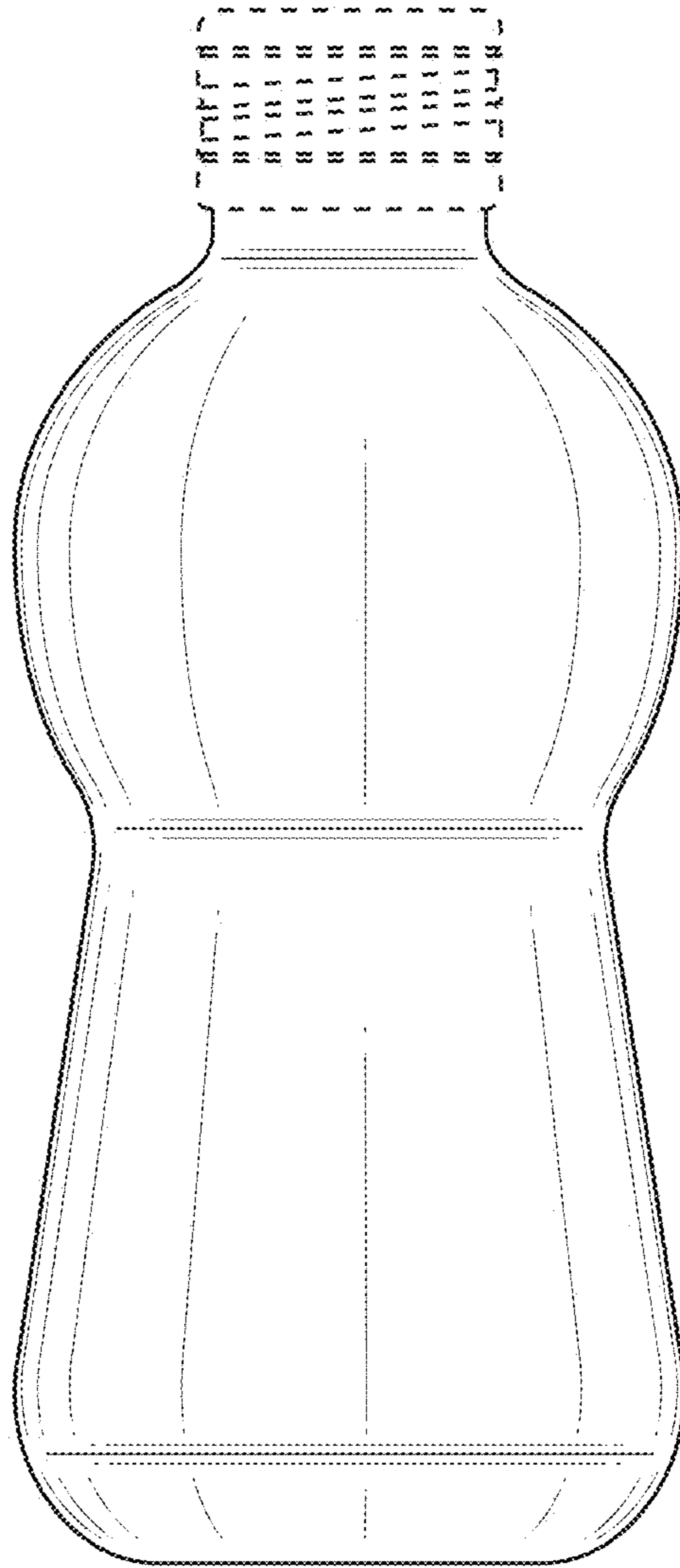


FIG. 2

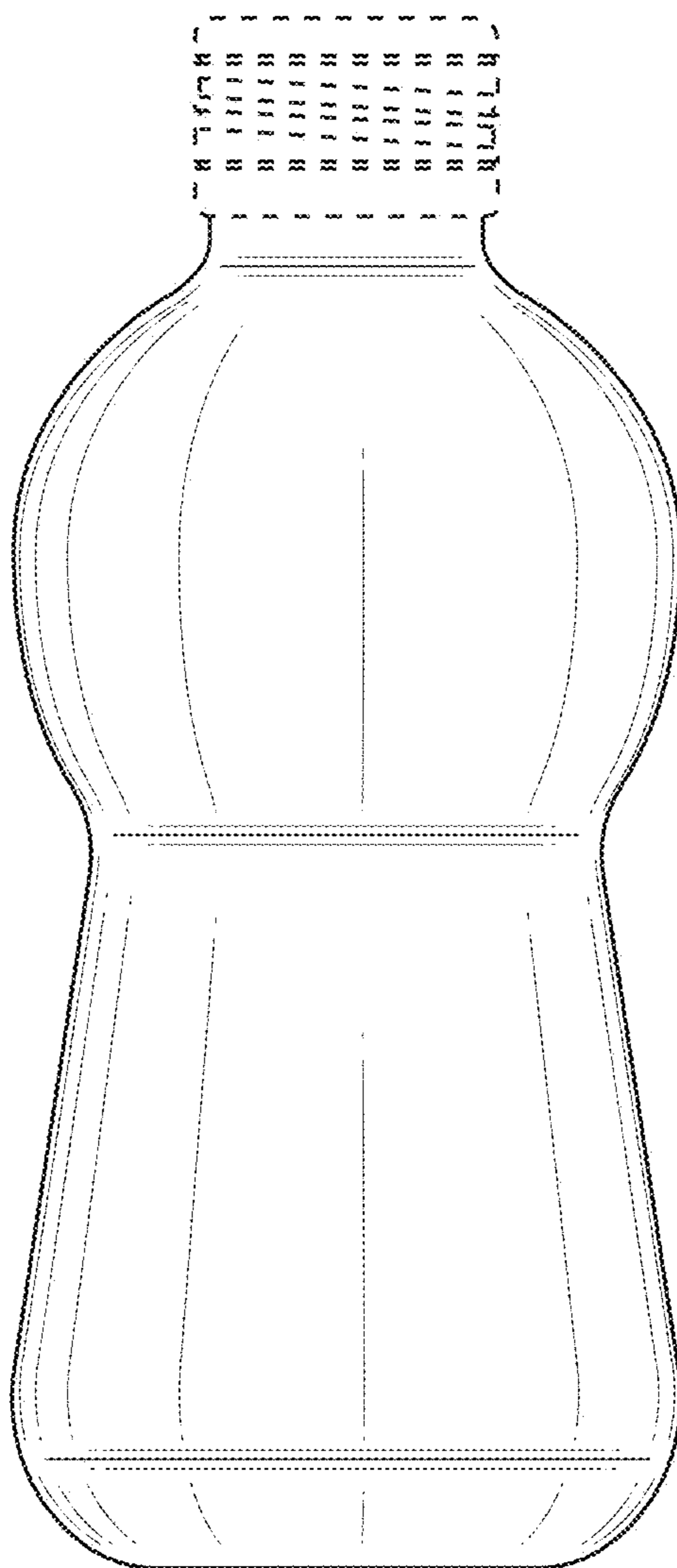


FIG. 3

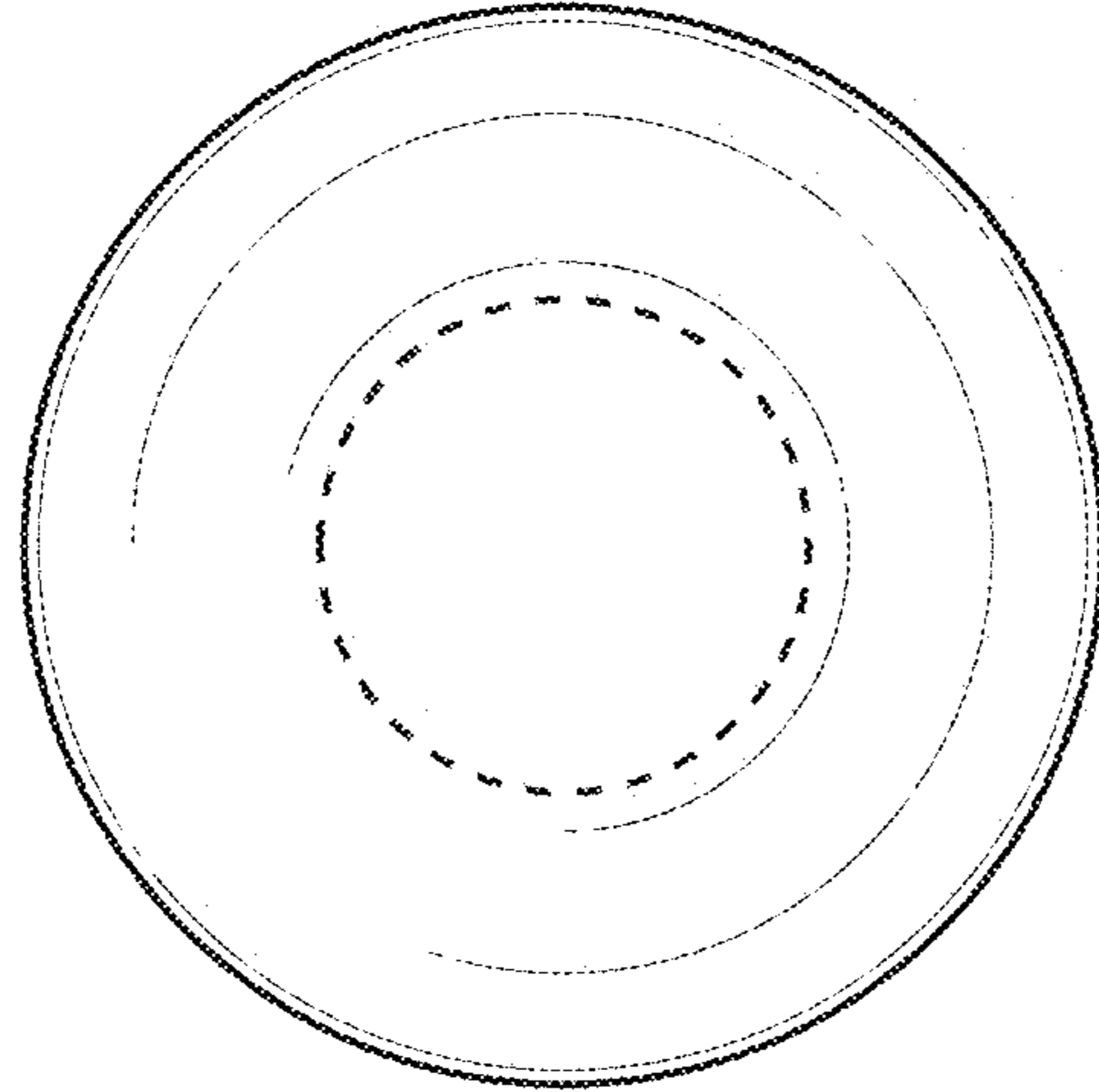


FIG. 4

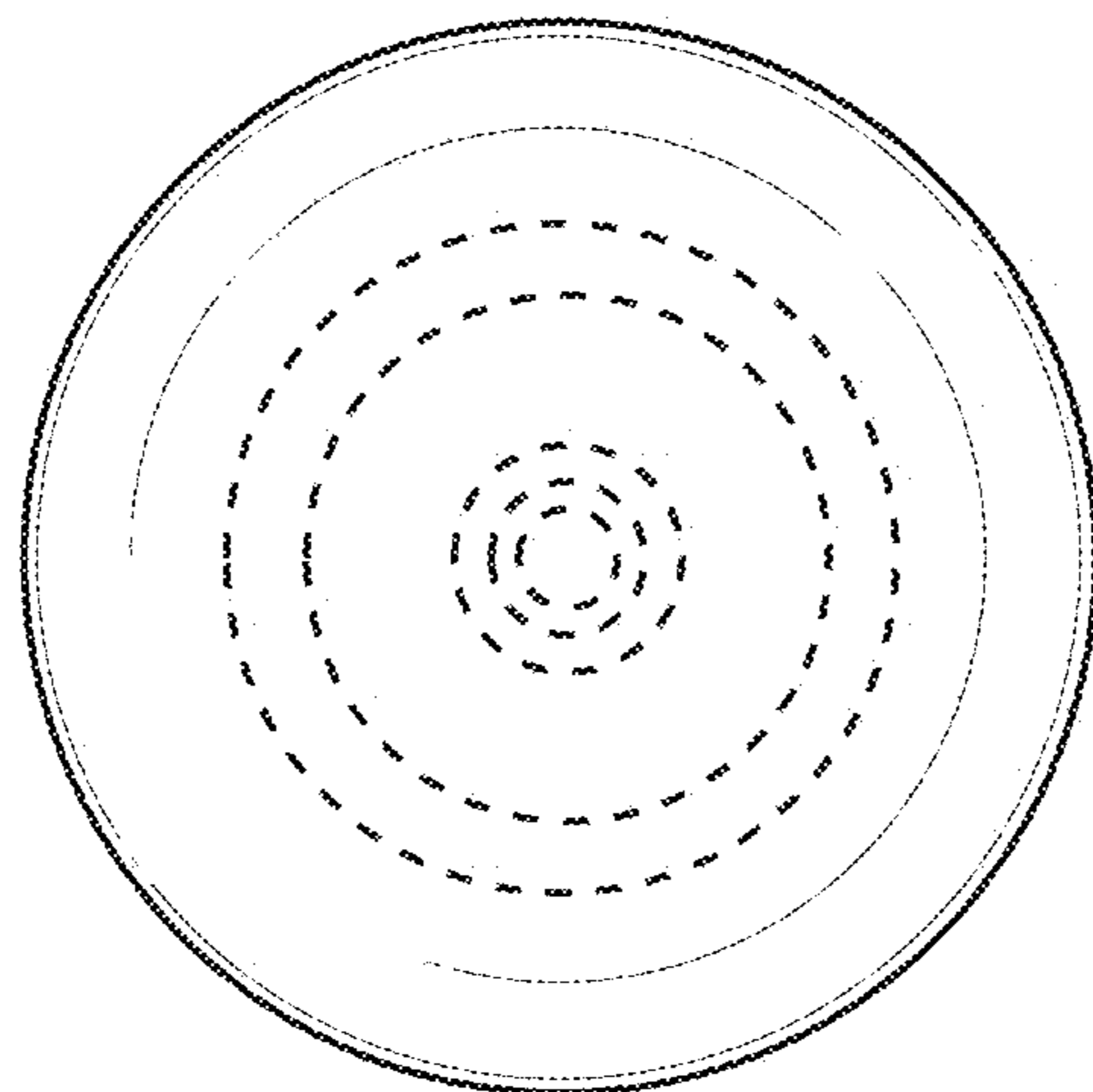


FIG. 5