

US00D721584S

(12) **United States Design Patent**
Koenecke

(10) **Patent No.:** **US D721,584 S**
(45) **Date of Patent:** **** Jan. 27, 2015**

- (54) **CUP LID WITH FLIP-BACK CLOSURE MEMBER**
- (71) Applicant: **LBP Manufacturing, Inc.**, Cicero, IL (US)
- (72) Inventor: **Weston Koenecke**, Oak Park, IL (US)
- (73) Assignee: **LBP Manufacturing, Inc.**, Cicero, IL (US)
- (**) Term: **14 Years**
- (21) Appl. No.: **29/465,518**

4,760,934 A	8/1988	Netsch
4,899,902 A	2/1990	DeMars
4,949,865 A	8/1990	Turner
D318,777 S	8/1991	Freese
5,090,584 A	2/1992	Roberts
D329,604 S	9/1992	Kuczer
D352,899 S	11/1994	Molo
5,490,609 A	2/1996	Lane
5,613,619 A	3/1997	Van Melle
5,699,927 A	12/1997	Lane
5,839,601 A	11/1998	Van Melle
D405,011 S	2/1999	DeCoster
5,947,323 A	9/1999	Freek
6,089,397 A	7/2000	Van Melle
6,260,727 B1	7/2001	Durdon
D476,566 S	7/2003	Smith
D477,223 S	7/2003	Smith

(Continued)

- (22) Filed: **Aug. 28, 2013**
- (51) **LOC (10) Cl.** **09-07**
- (52) **U.S. Cl.**
USPC **D9/449**; D9/447
- (58) **Field of Classification Search**
USPC D6/452-545; D7/300, 321, 392.1, D7/396.2, 500, 507, 509, 510, 511, 900; D9/434-448, 452-455, 682, 685, 694; 215/200, 235, 236, 252, 254, 329, 215/355-364; 220/203.04-203.07, 220, 220/254.1, 254.4, 556, 703, 704, 705
See application file for complete search history.

Primary Examiner — Robert M Spear
Assistant Examiner — Marissa Cash
 (74) *Attorney, Agent, or Firm* — Fitch, Even, Tabin & Flannery LLP

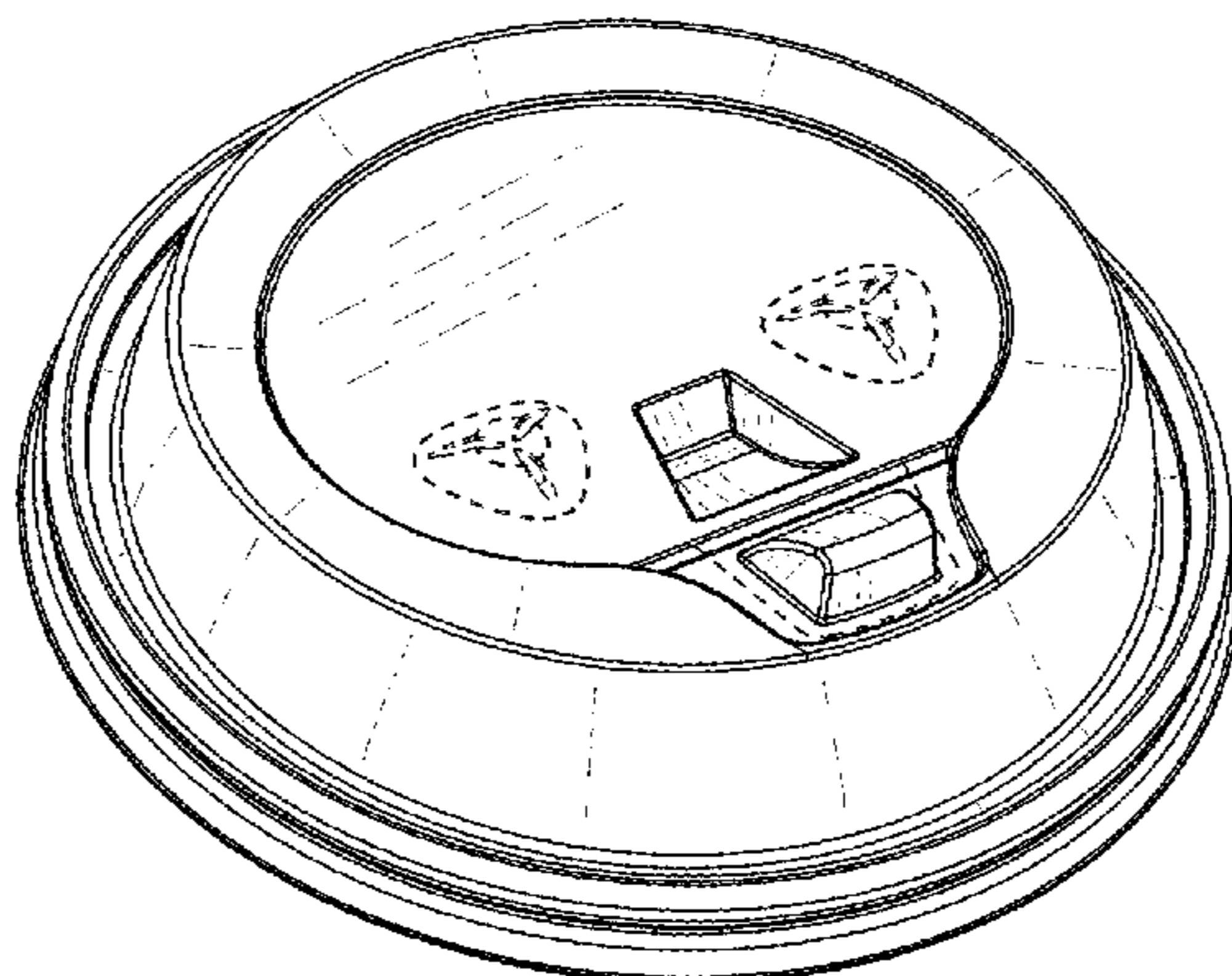
(57) **CLAIM**
 I claim the ornamental design for a cup lid with flip-back closure member, as shown and described.

DESCRIPTION

FIG. 1 is a perspective view of a cup lid with flip-back closure member showing my new design;
 FIG. 2 is a top view thereof;
 FIG. 3 is a bottom view thereof;
 FIG. 4 is a front view thereof;
 FIG. 5 is a rear view thereof;
 FIG. 6 is a first side view thereof;
 FIG. 7 is a second side view thereof; and,
 FIG. 8 is a cross-sectional view thereof taken at line A-A' of FIG. 2.
 The features of the cup lid with flip-back closure member shown with broken lines are environment and form no part of the claimed design.

1 Claim, 3 Drawing Sheets

- (56) **References Cited**
 U.S. PATENT DOCUMENTS
- | | | |
|-------------|---------|-----------|
| 822,318 A | 6/1906 | Surbrug |
| 1,658,348 A | 2/1928 | Leonard |
| 1,765,284 A | 6/1930 | Prosnitz |
| 2,152,600 A | 3/1939 | Morrison |
| 2,274,752 A | 3/1942 | Straub |
| 2,304,214 A | 12/1942 | Straub |
| 2,492,846 A | 12/1949 | Coyle |
| 2,757,859 A | 8/1956 | Holland |
| 4,057,167 A | 11/1977 | Lee |
| 4,201,320 A | 5/1980 | Eppenbach |
| 4,629,088 A | 12/1986 | Durgin |
| 4,738,373 A | 4/1988 | DeParales |
| 4,749,099 A | 6/1988 | Davis |



(56)

References Cited

U.S. PATENT DOCUMENTS

D478,006 S	8/2003	Smith	7,275,653 B2	10/2007	Tedford, Jr.	
6,612,456 B1	9/2003	Hundley	7,353,582 B2	4/2008	MacKenzie	
D480,968 S	10/2003	Atkins	D570,685 S	6/2008	Koennecke	
6,644,490 B2	11/2003	Clarke	D570,686 S	6/2008	Hollis	
6,679,397 B2	1/2004	Smith	D583,191 S	12/2008	Wong	
6,732,875 B2	5/2004	Smith	D584,106 S	1/2009	Wong	
6,824,003 B1	11/2004	Wong	7,591,389 B2	9/2009	Wong	
6,886,707 B2	5/2005	Giraud	7,611,029 B2	11/2009	Wong	
6,889,860 B2	5/2005	Mazzarolo	7,691,302 B2	4/2010	Hollis	
6,929,143 B2	8/2005	Mazzarolo	D614,954 S *	5/2010	Crowell et al.	D9/447
7,063,224 B2	6/2006	Clarke	7,753,224 B2	7/2010	Cai	
D531,033 S	10/2006	Schmidtner	D623,474 S *	9/2010	Carlson et al.	D7/510
7,131,551 B2	11/2006	Smith	D624,413 S *	9/2010	Selina et al.	D9/447
7,134,566 B2	11/2006	Smith	7,789,260 B2	9/2010	Hollis	
D533,777 S	12/2006	Hundley	7,819,271 B2	10/2010	Hollis	
D533,778 S	12/2006	Hollis	7,845,510 B2	12/2010	Schmidtner	
D533,779 S	12/2006	Schmidtner	7,850,037 B2	12/2010	Schmidtner	
7,156,251 B2	1/2007	Smith	7,874,447 B2	1/2011	Schmidtner	
7,159,732 B2	1/2007	Smith	D635,855 S	4/2011	Smith	
D536,249 S	2/2007	Smith	7,954,659 B2	6/2011	Zuares	
D539,646 S	4/2007	Hollis	7,992,741 B2	8/2011	Hundley et al.	
D539,650 S	4/2007	Smith	8,113,379 B2	2/2012	Cai	
D540,165 S	4/2007	Hollis	D655,983 S *	3/2012	Cozzolino et al.	D7/510
D540,166 S	4/2007	Hollis	D662,362 S *	6/2012	Bickert et al.	D7/510
D540,672 S	4/2007	Hollis	8,235,236 B2	8/2012	Zuares	
D540,673 S	4/2007	Hollis	8,317,050 B2	11/2012	Hollis	
D540,674 S	4/2007	Hollis	2003/0089714 A1	5/2003	Dart	
D540,675 S	4/2007	Hollis	2007/0131692 A1	6/2007	Smith	
D541,153 S	4/2007	Hollis	2008/0073343 A1	3/2008	Shadrach	
D541,650 S	5/2007	Hollis	2008/0105696 A1	5/2008	Dart	
D541,651 S	5/2007	Hollis	2009/0266828 A1	10/2009	Cai	
D544,793 S	6/2007	Hollis	2010/0200590 A1	8/2010	Shadrach, III	
7,246,715 B2	7/2007	Smith	2011/0089174 A1	4/2011	Smith	
			2011/0284564 A1	11/2011	Hsieh	
			2012/0312827 A1	12/2012	Zuares	

* cited by examiner

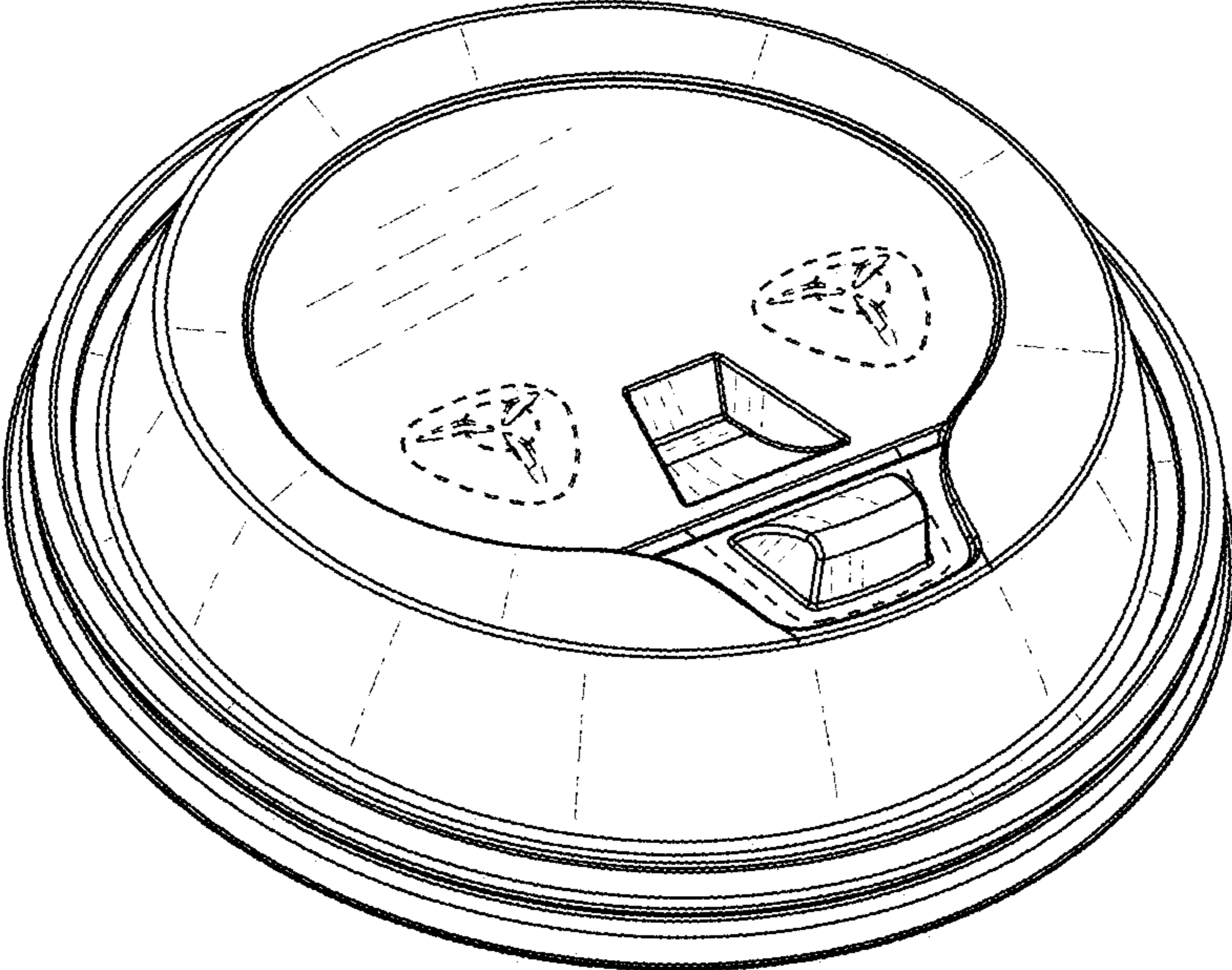


Fig. 1

Fig. 2

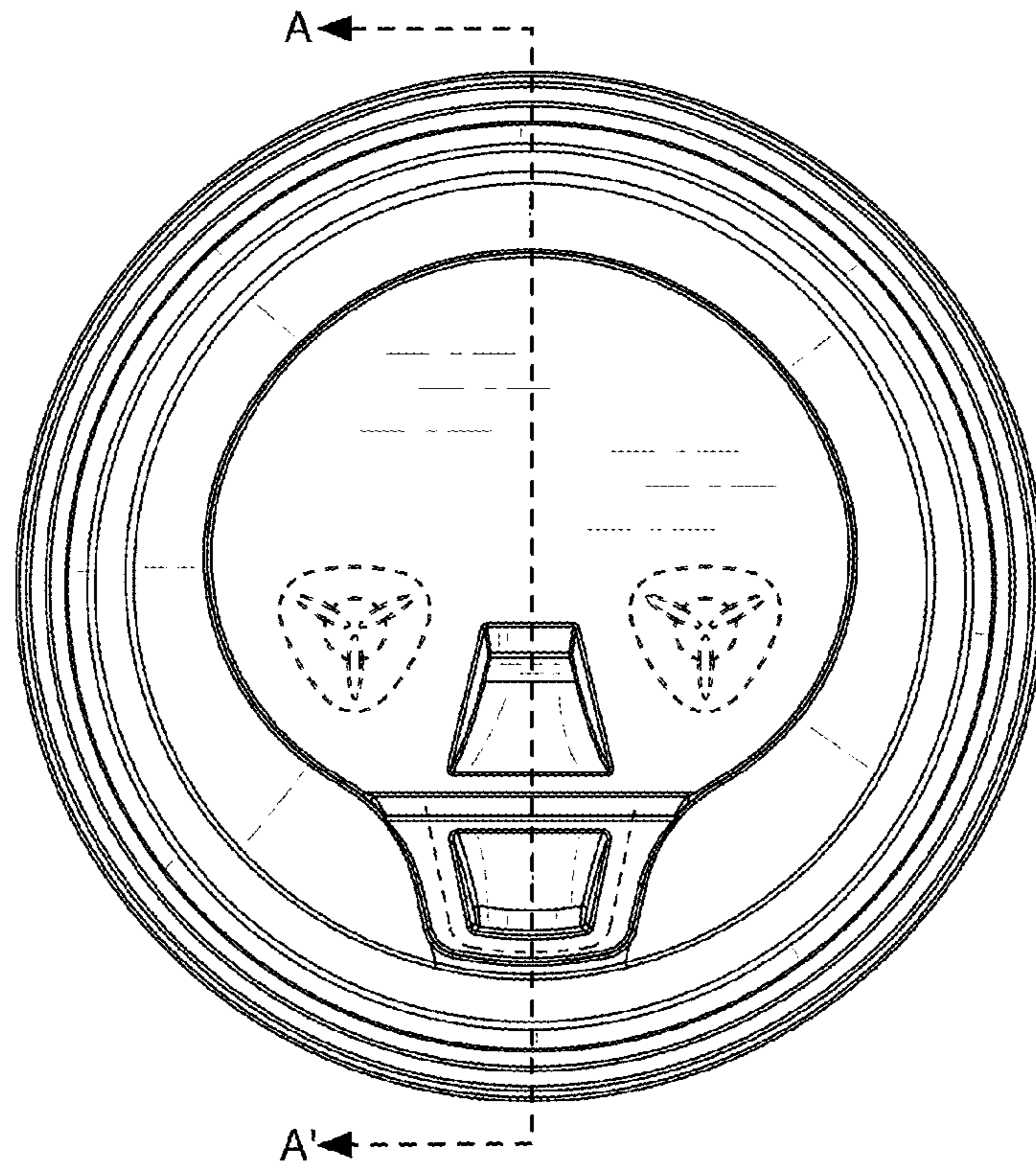


Fig. 3

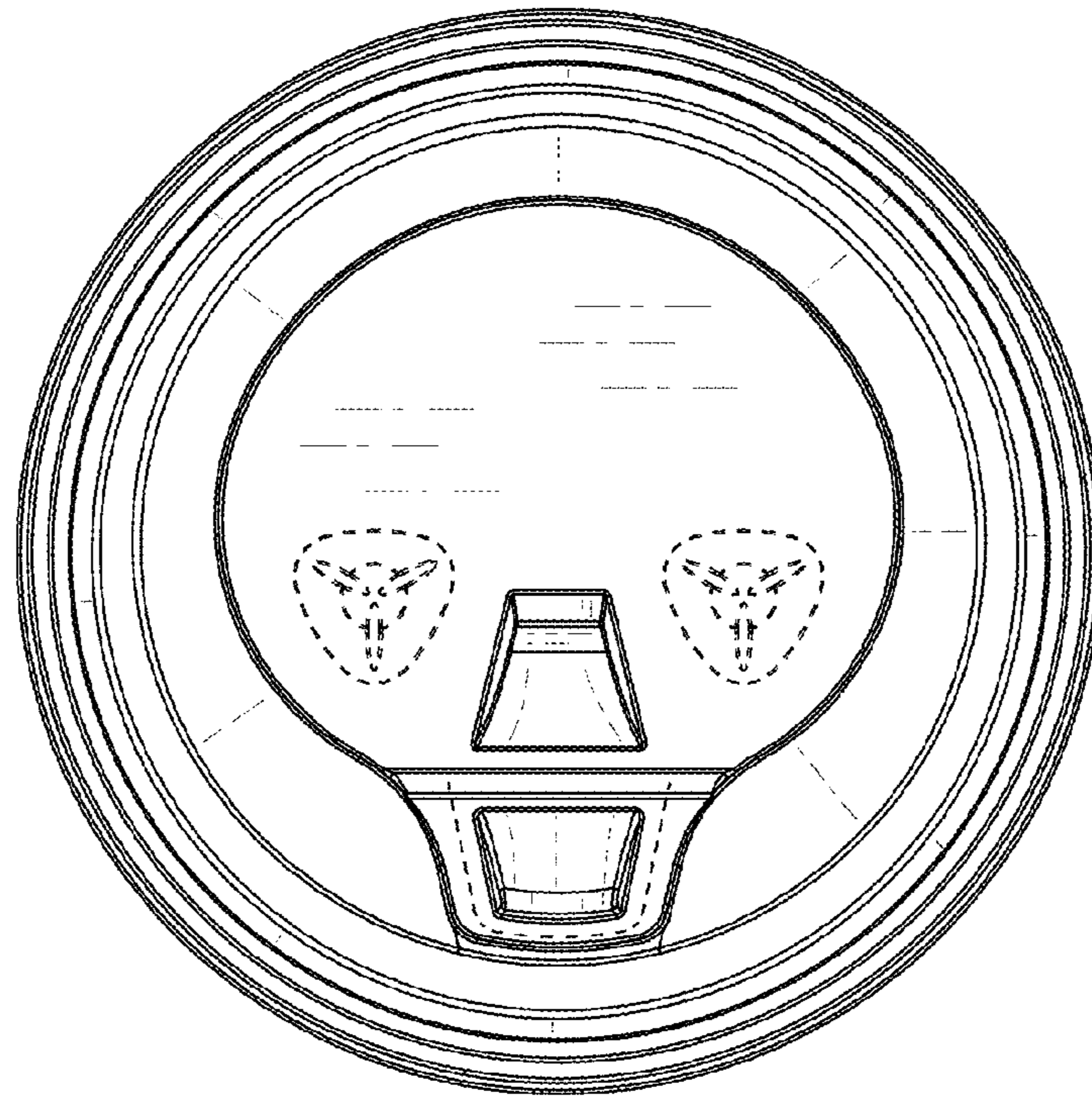


Fig. 4

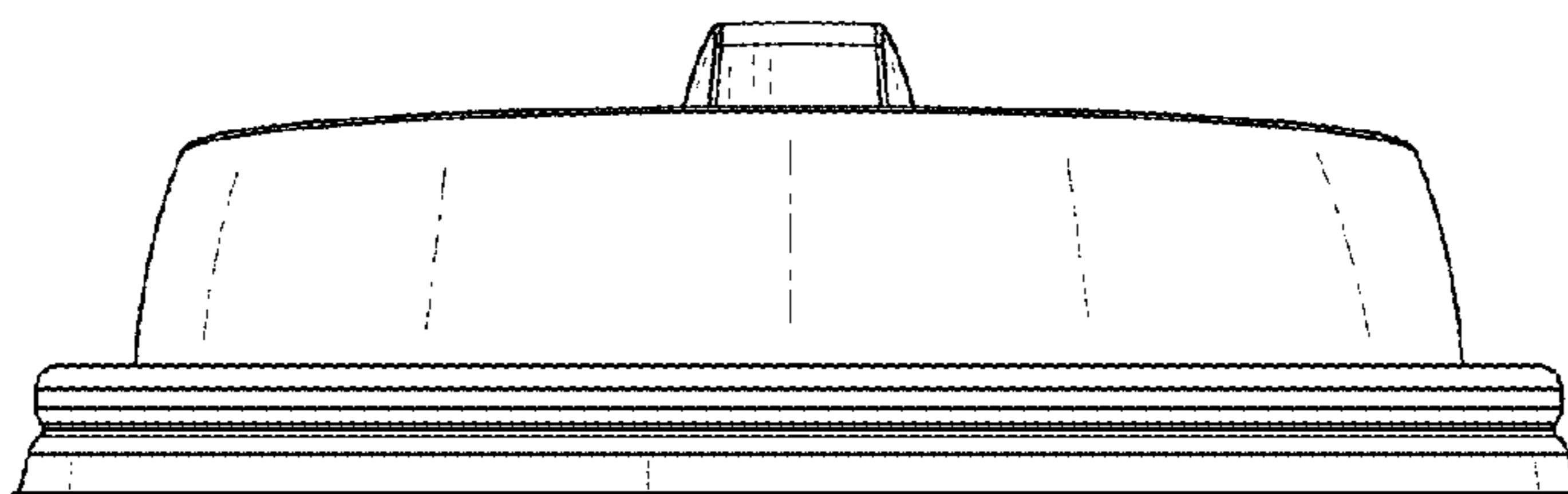


Fig. 5

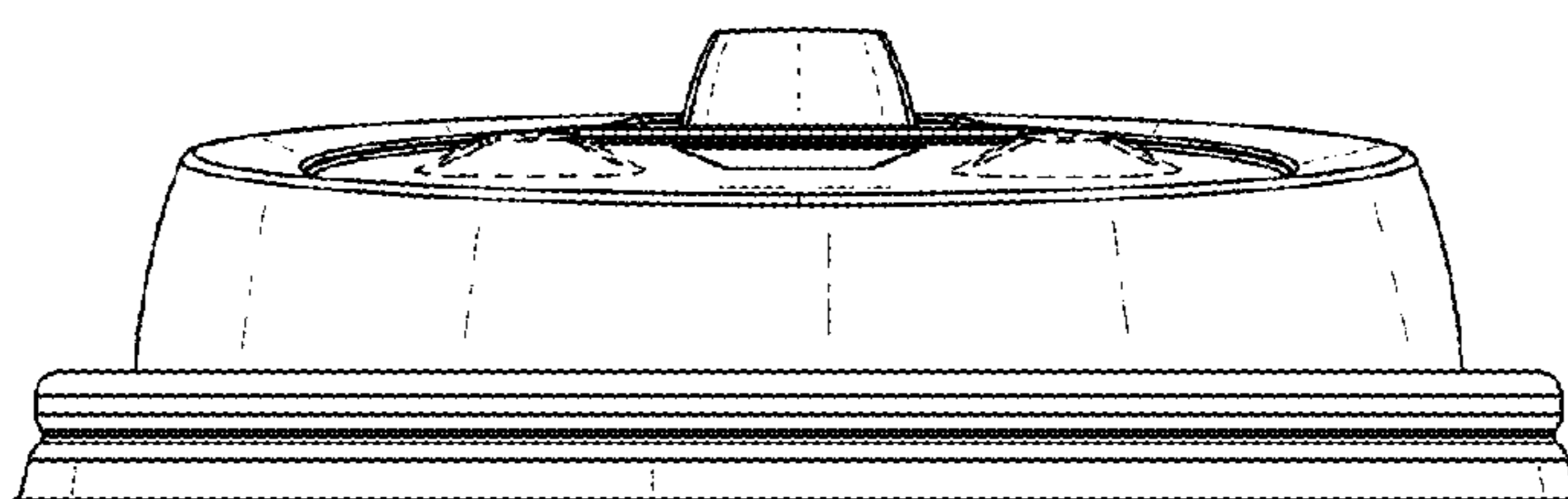


Fig. 6

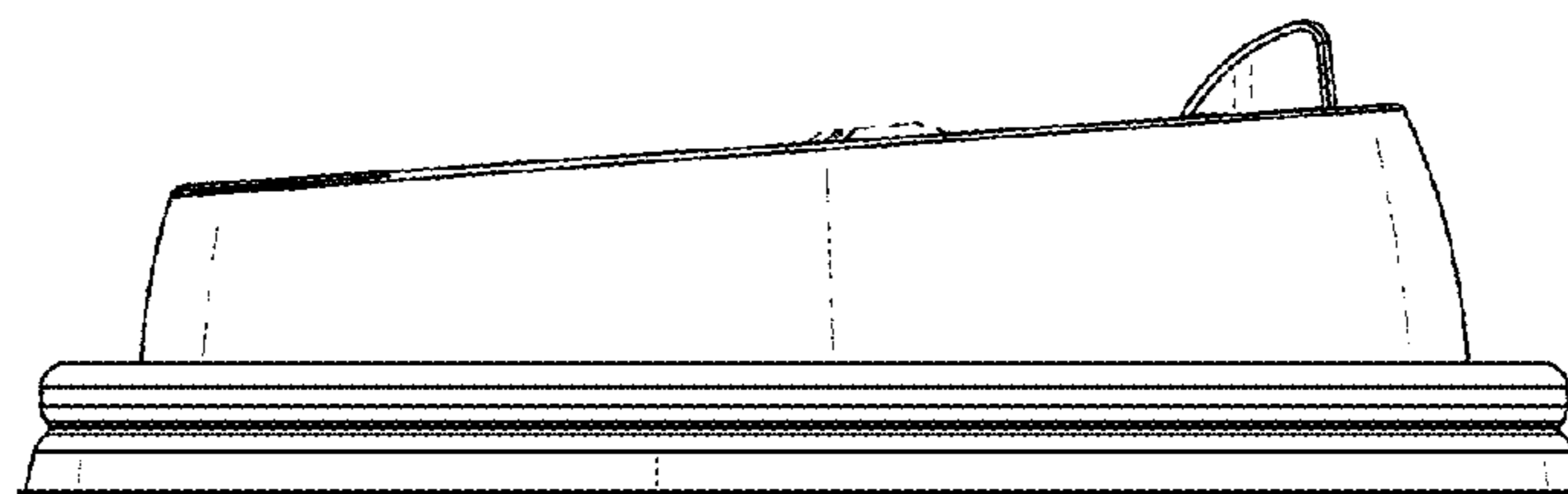


Fig. 7



Fig. 8

