



US00D721580S

(12) **United States Design Patent**
Yamada et al.

(10) **Patent No.:** **US D721,580 S**
(45) **Date of Patent:** **** Jan. 27, 2015**

(54) **NOZZLE FOR PACKAGING CONTAINER**

(71) Applicant: **Santen Pharmaceutical Co., Ltd.**,
Osaka-shi, Osaka (JP)

(72) Inventors: **Hiroshi Yamada**, Osaka (JP); **Tsuyoshi Kakiuchi**, Osaka (JP)

(73) Assignee: **Santen Pharmaceutical Co., Ltd.**,
Osaka-shi, Osaka (JP)

(**) Term: **14 Years**

(21) Appl. No.: **29/467,264**

(22) Filed: **Sep. 17, 2013**

(30) **Foreign Application Priority Data**

Mar. 22, 2013 (JP) 2013-006319
Mar. 22, 2013 (JP) 2013-006321

(51) **LOC (10) Cl.** **09-07**

(52) **U.S. Cl.**
USPC **D9/440**

(58) **Field of Classification Search**
CPC B65D 25/40; B65D 25/42; B65D 25/48
USPC D9/417, 434, 440, 447, 448, 449, 499;
D8/2; D7/398; D23/213, 223, 224,
D23/255, 259; 222/321.6, 378, 566;
239/222.11, 290, 291, 318, 482, 584,
239/DIG. 22

See application file for complete search history.

(56) **References Cited**

U.S. PATENT DOCUMENTS

D26,539 S * 1/1897 Schram D9/447
D41,840 S * 10/1911 Cornish D7/398

(Continued)

FOREIGN PATENT DOCUMENTS

EM 001261663-0002 3/2011

OTHER PUBLICATIONS

Fram Inline Gasoline Filter for 1967 Ford Mustang, www.carid.com; 3 pages. Found online Sep. 16, 2014 at http://www.carid.com/1967-ford-mustang-fuel-delivery-parts/farm-fuel-filter-18701297.html.*

(Continued)

Primary Examiner — Robert M Spear

(74) *Attorney, Agent, or Firm* — Squire Patton Boggs (US) LLP

(57) **CLAIM**

The ornamental design for a nozzle for packaging container, as shown and described.

DESCRIPTION

FIG. 1 is a front view of a first embodiment of a nozzle for packaging container showing our new design;

FIG. 2 is a left side view thereof;

FIG. 3 is a top plan view thereof;

FIG. 4 is a bottom view thereof;

FIG. 5 is a sectional view thereof taken on line 5-5 of FIG. 1;

FIG. 6 is a perspective view thereof;

FIG. 7 is a reference sectional view thereof showing a condition in use;

FIG. 8 is a front view of a second embodiment of a Nozzle for packaging container showing our new design;

FIG. 9 is a left side view thereof;

FIG. 10 is a top plan view thereof;

FIG. 11 is a bottom view thereof;

FIG. 12 is a sectional view thereof taken on line 12-12 of FIG. 8;

FIG. 13 is a perspective view thereof; and,

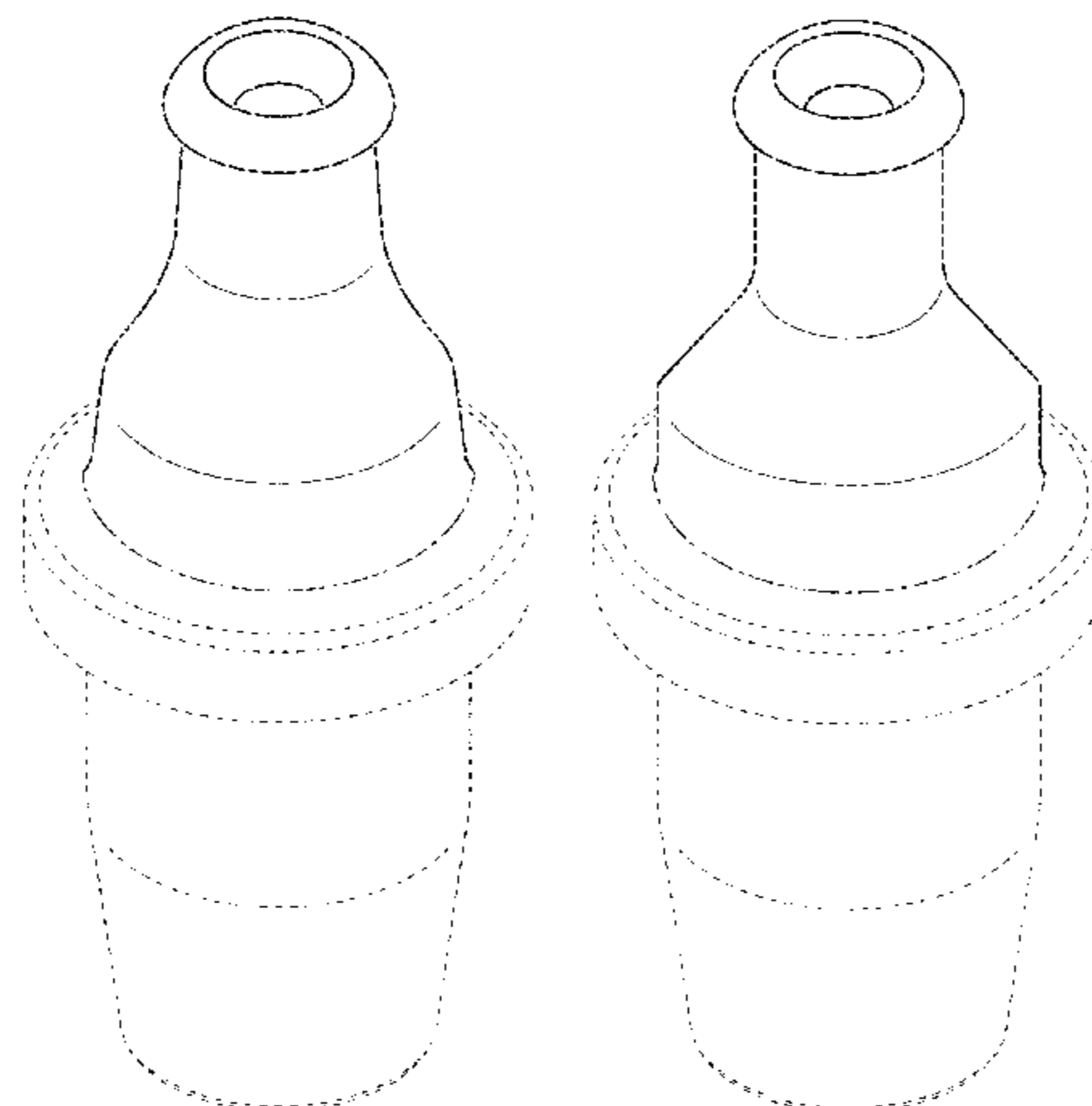
FIG. 14 is a reference sectional view thereof showing a condition in use.

The broken line showings of FIGS. 1-14 are environmental only and not part of the claimed design.

The dashed-dotted line showings of FIGS. 3, 5-7, 10, 12-14 illustrate a boundary between the claimed design and environmental features and form no part of the claimed design.

In each of two embodiments, a rear view and a right side view are omitted because the rear view is identical to the front view and the right side view is identical to the left side view.

1 Claim, 14 Drawing Sheets



(56)

References Cited

U.S. PATENT DOCUMENTS

D54,199 S * 11/1919 Cornish D7/398
D55,940 S * 8/1920 Cornish D7/398
D106,697 S * 10/1937 Slater D23/229
D143,947 S * 2/1946 Baker D15/5
2,602,698 A * 7/1952 Wyckoff 239/312
D171,428 S * 2/1954 Storie D23/229
D191,088 S * 8/1961 Anderson D24/112
3,107,035 A * 10/1963 Bertram 222/213
D220,832 S * 6/1971 Lapidus D9/447
D356,853 S * 3/1995 Fowler D23/213
D364,566 S * 11/1995 Douer D9/436

5,505,337 A * 4/1996 Littman et al. 222/92
D371,427 S * 7/1996 Harris et al. D23/227
D390,462 S * 2/1998 Mao D9/435
D401,071 S * 11/1998 Laster D4/115
D414,788 S * 10/1999 Shintani et al. D15/144
D424,165 S * 5/2000 Guo D23/229
D486,736 S * 2/2004 Kokubo D9/449
D535,022 S * 1/2007 Davies D24/110
2007/0039980 A1 * 2/2007 Kjeldsen et al. 222/514

OTHER PUBLICATIONS

U.S. Appl. No. 29/467,266, filed Sep. 17, 2013, Hiroshi Yamada et al.
U.S. Appl. No. 29/467,267, filed Sep. 17, 2013, Hiroshi Yamada et al.

* cited by examiner

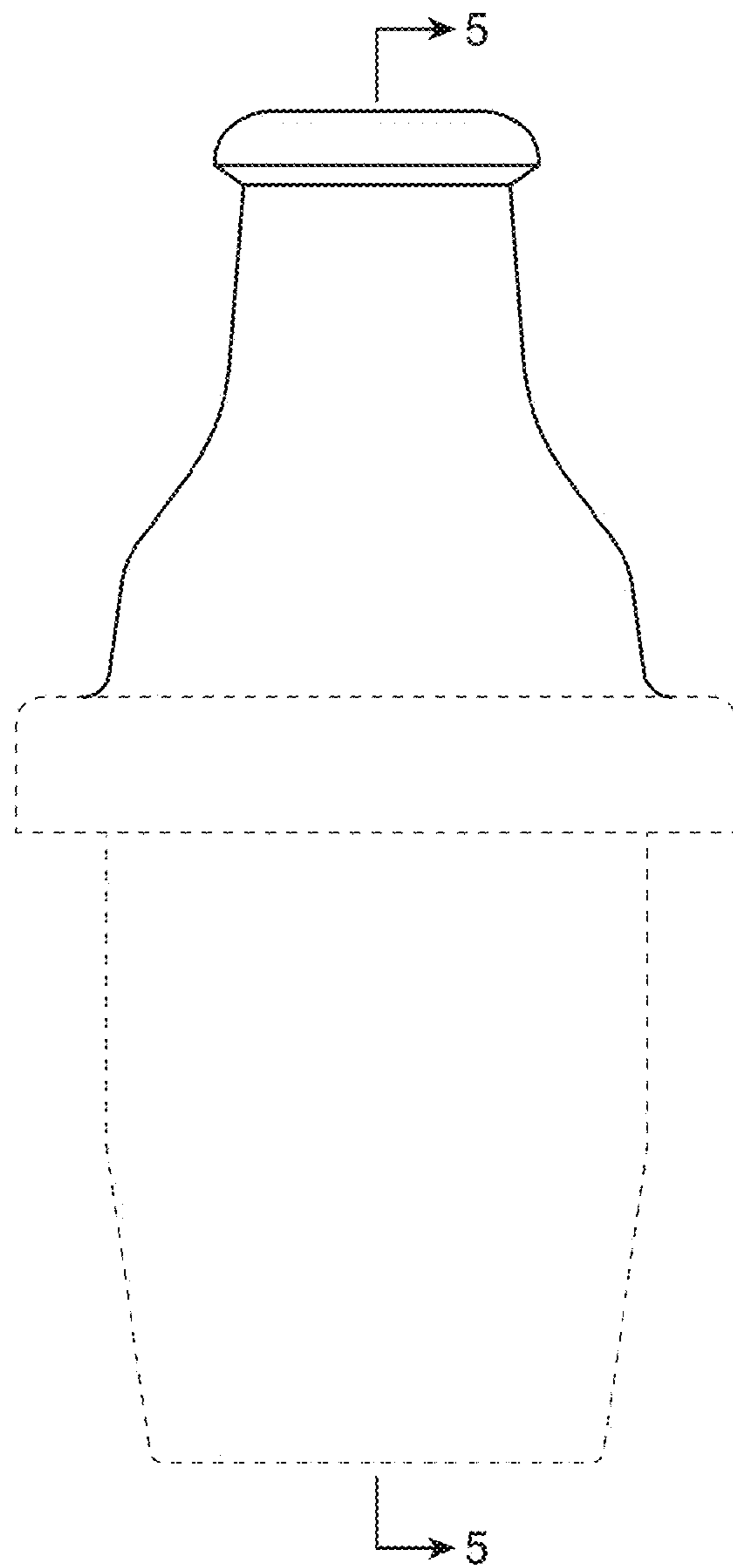


FIG. 1

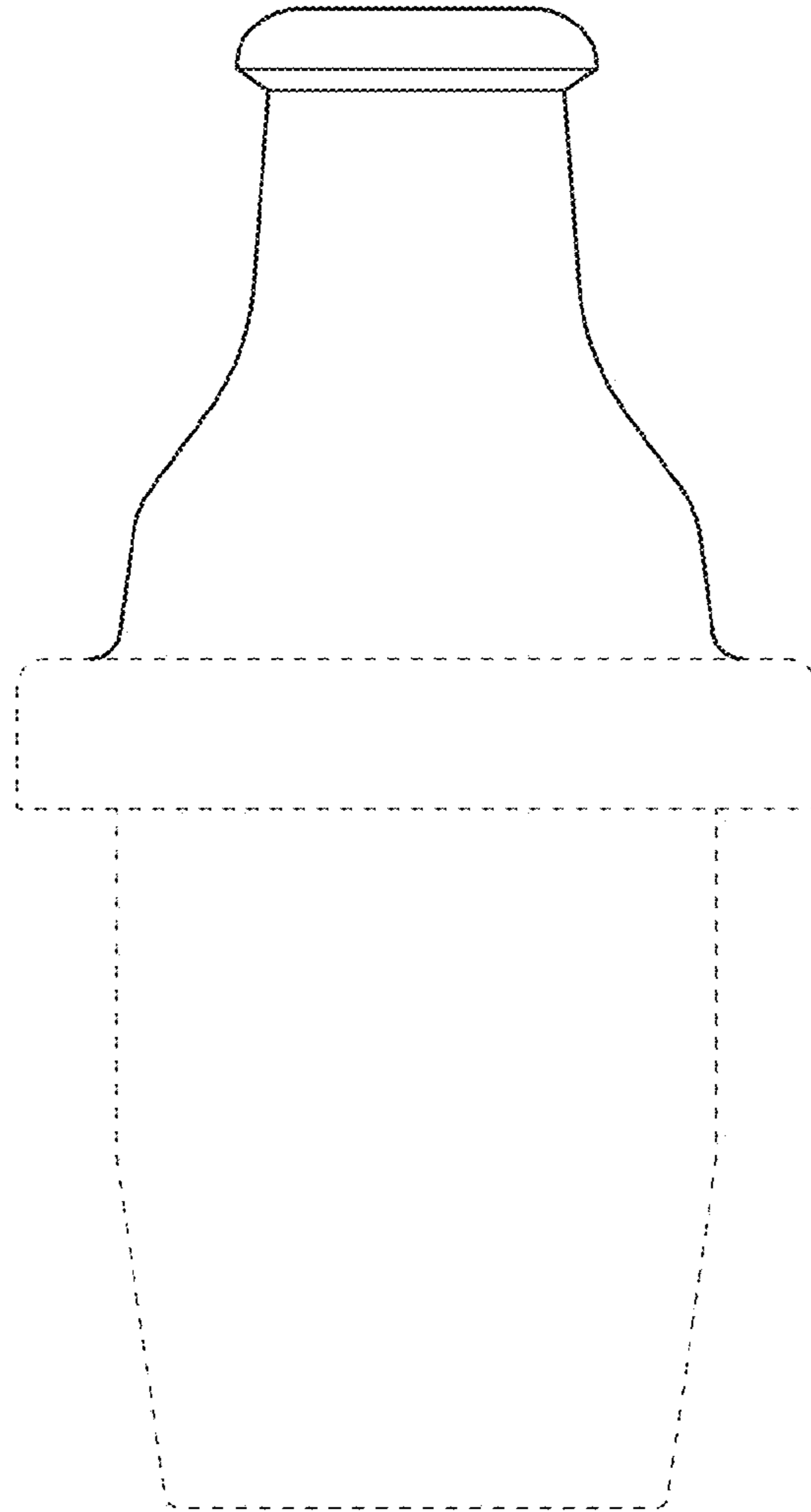


FIG. 2

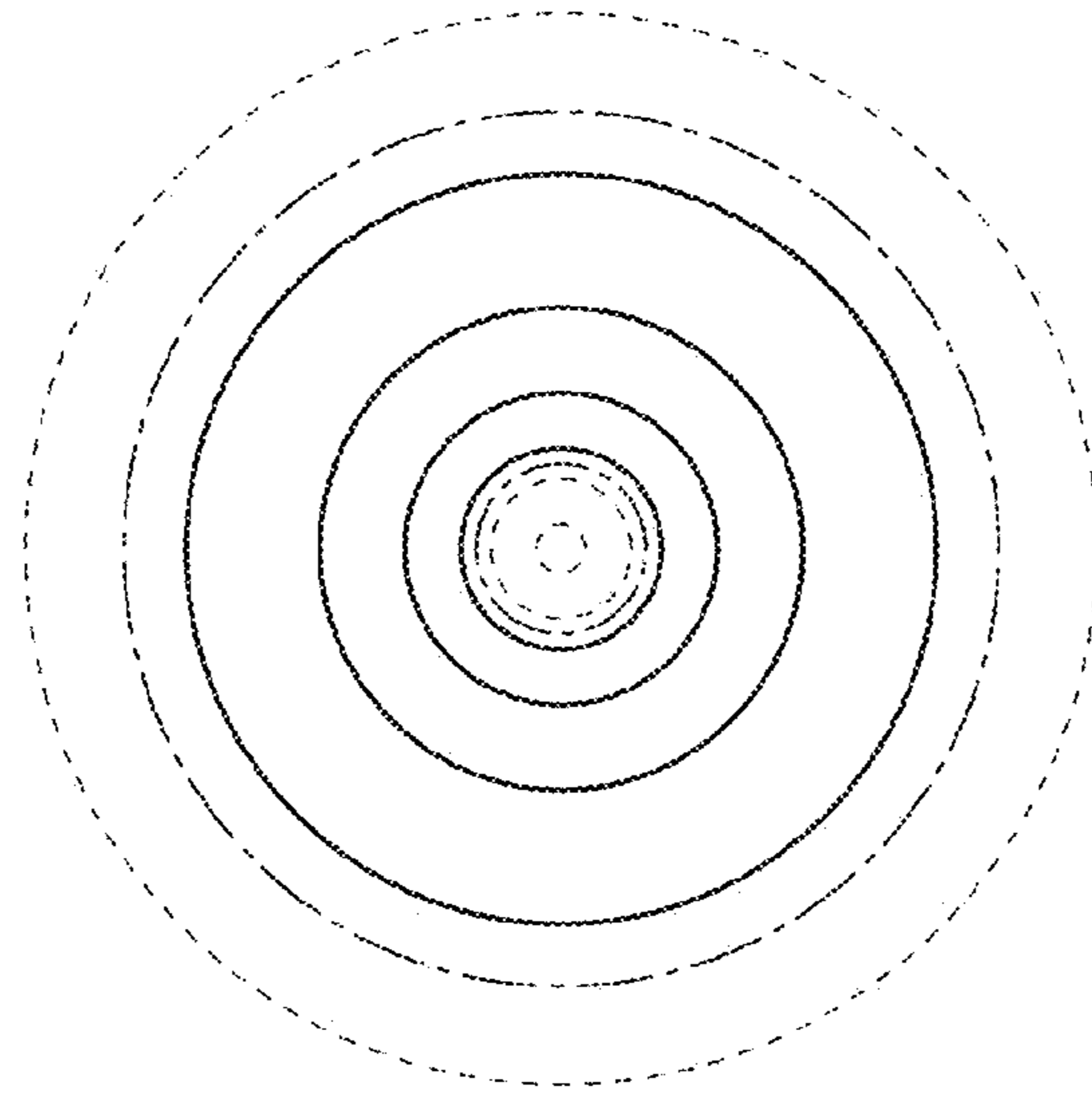


FIG. 3

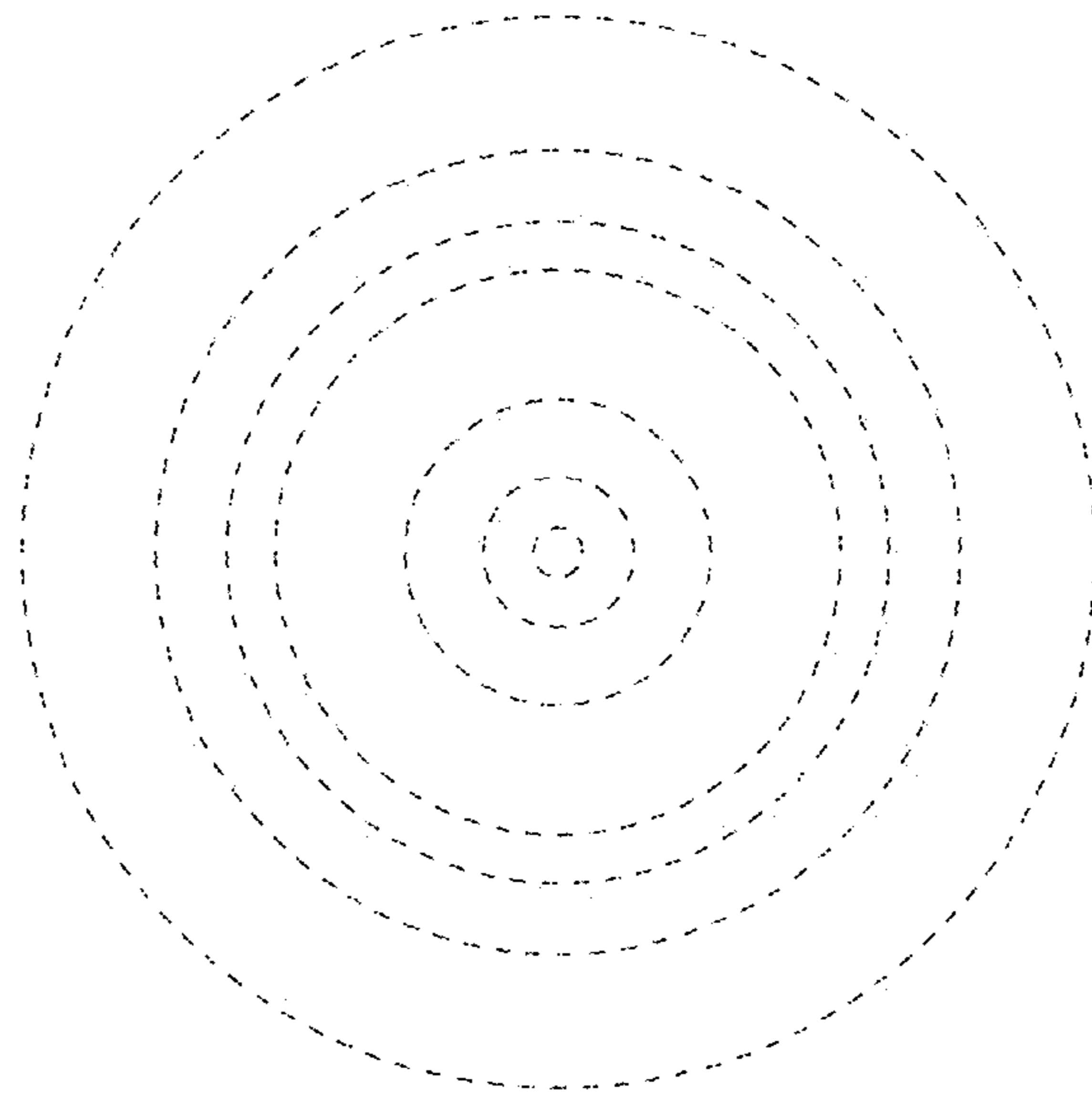


FIG. 4

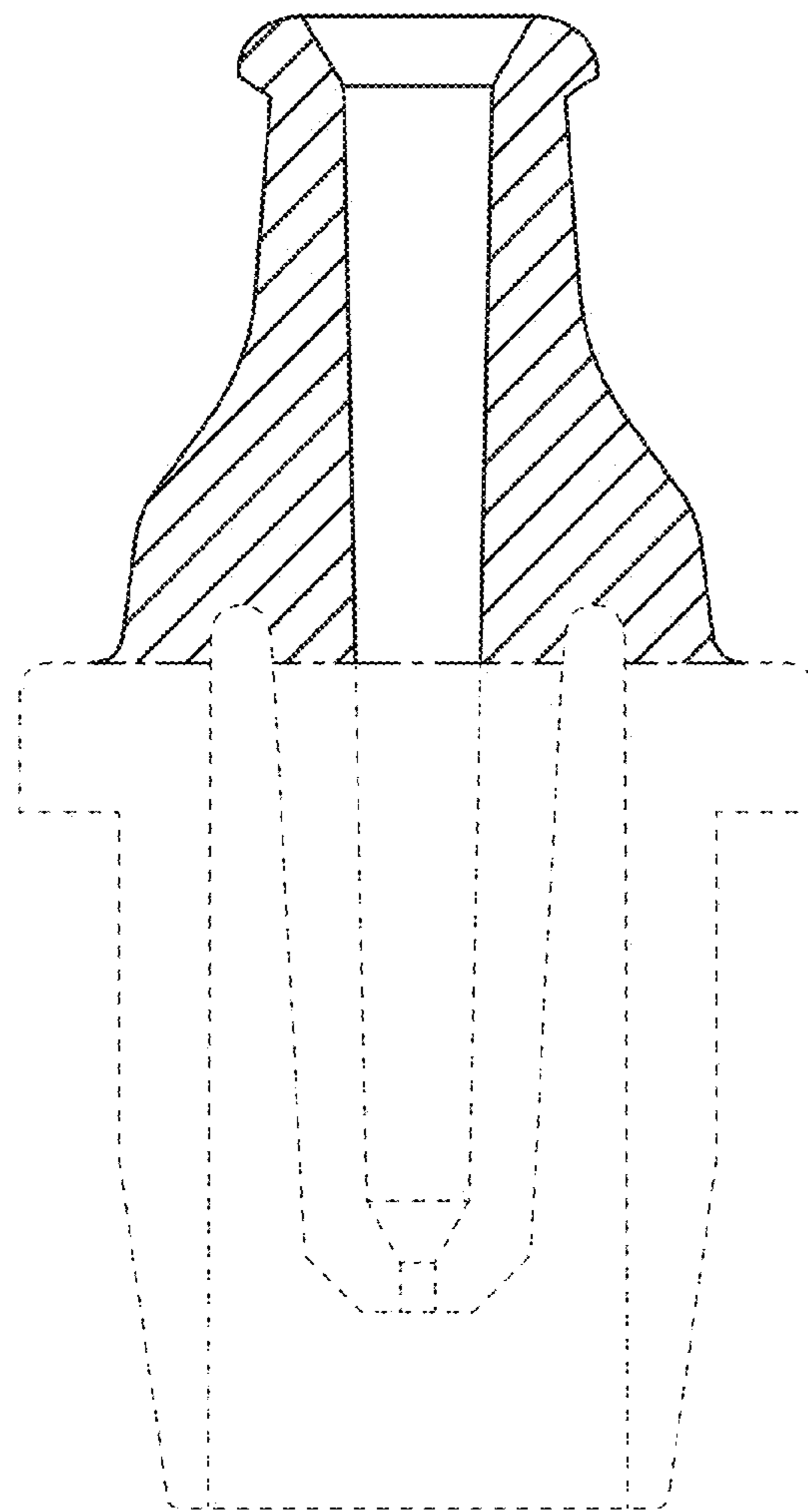


FIG. 5

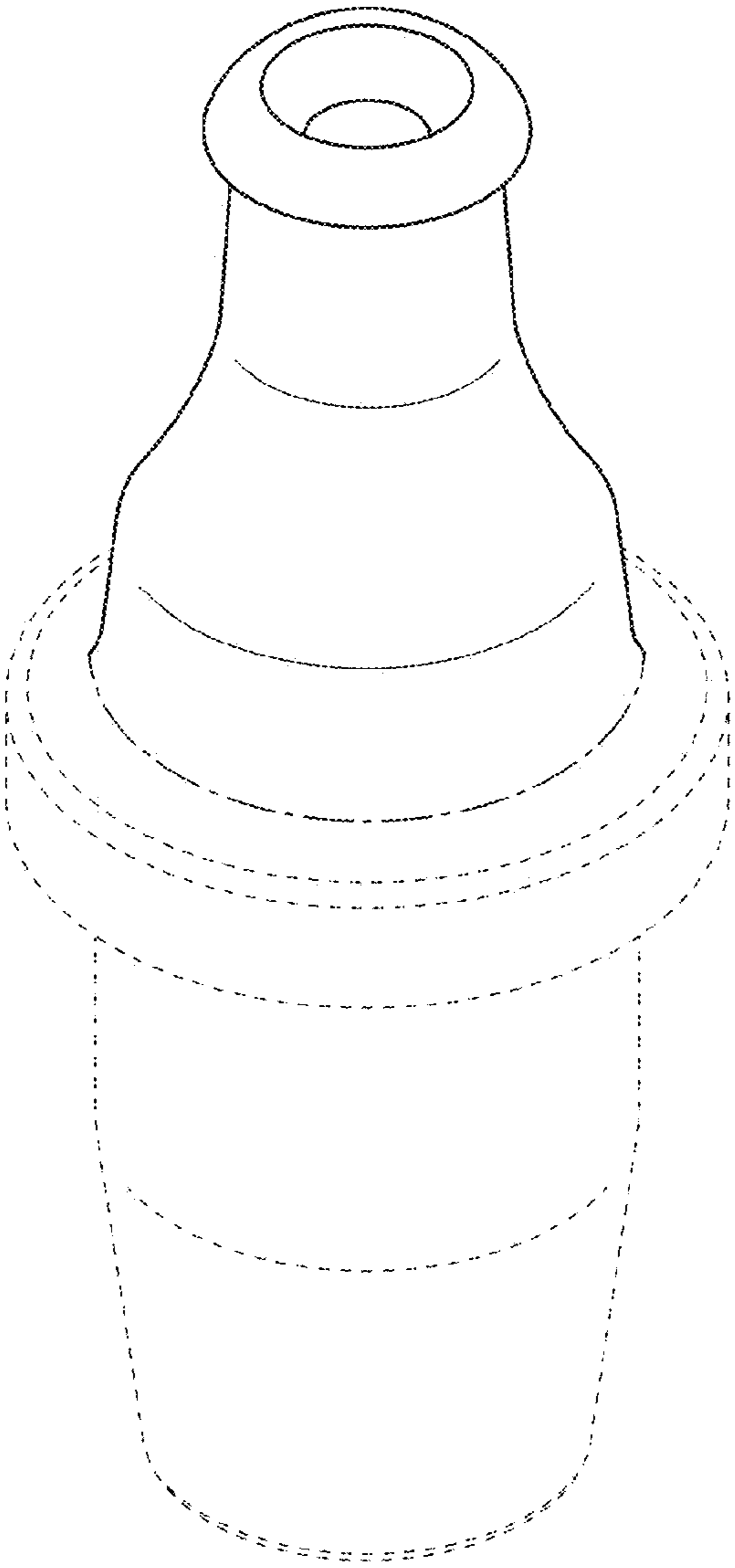


FIG. 6

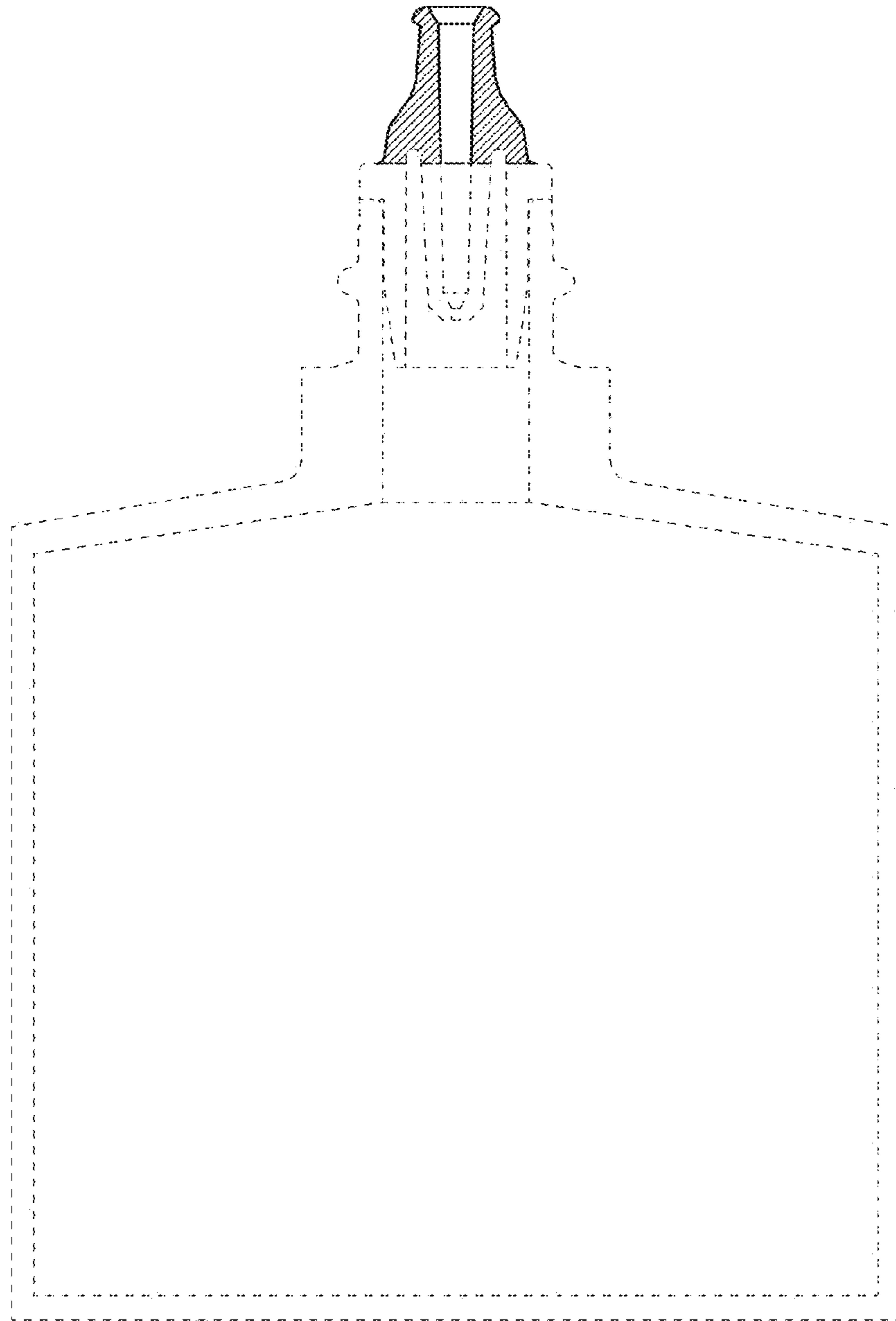


FIG. 7

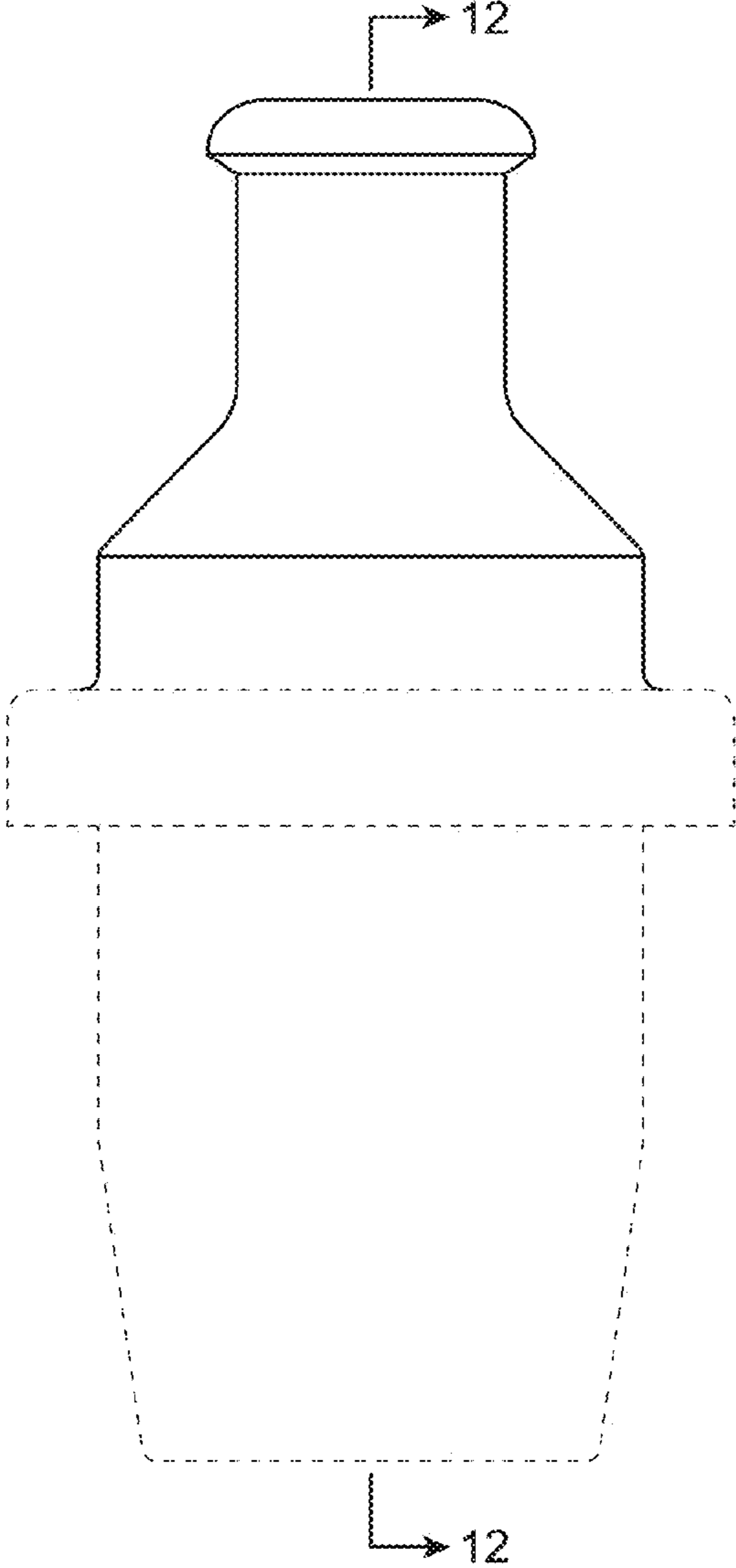


FIG. 8

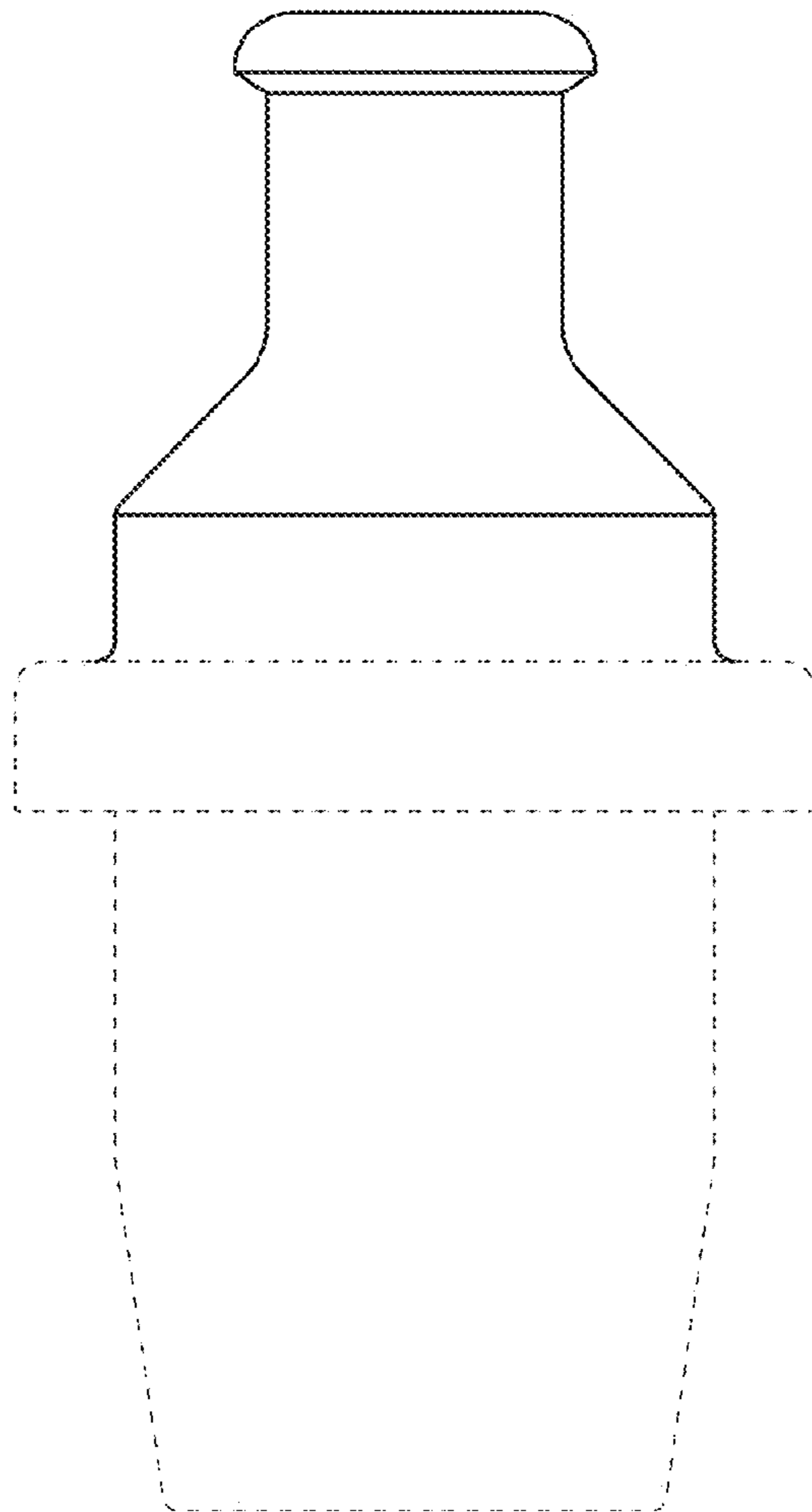


FIG. 9

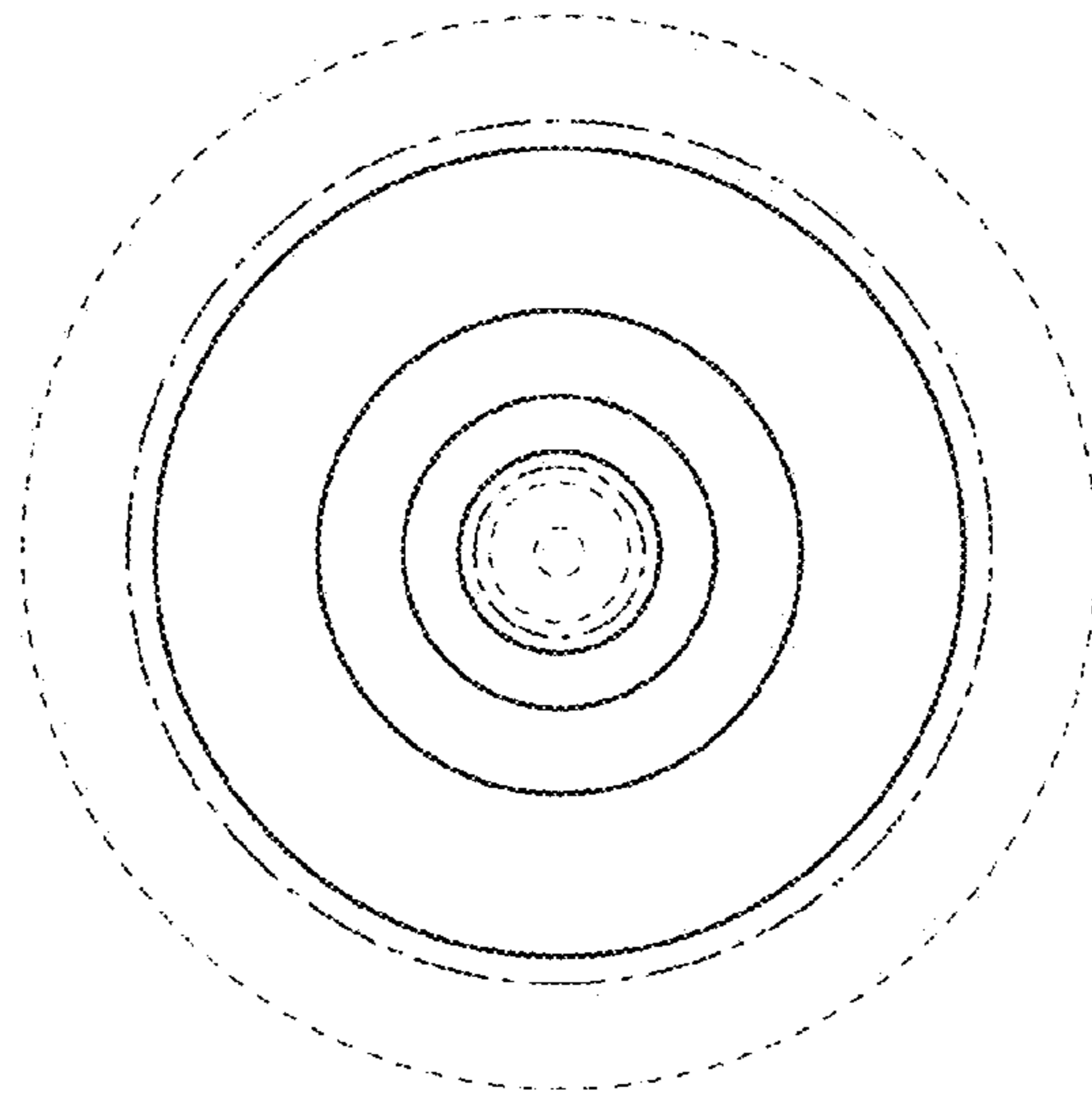


FIG. 10

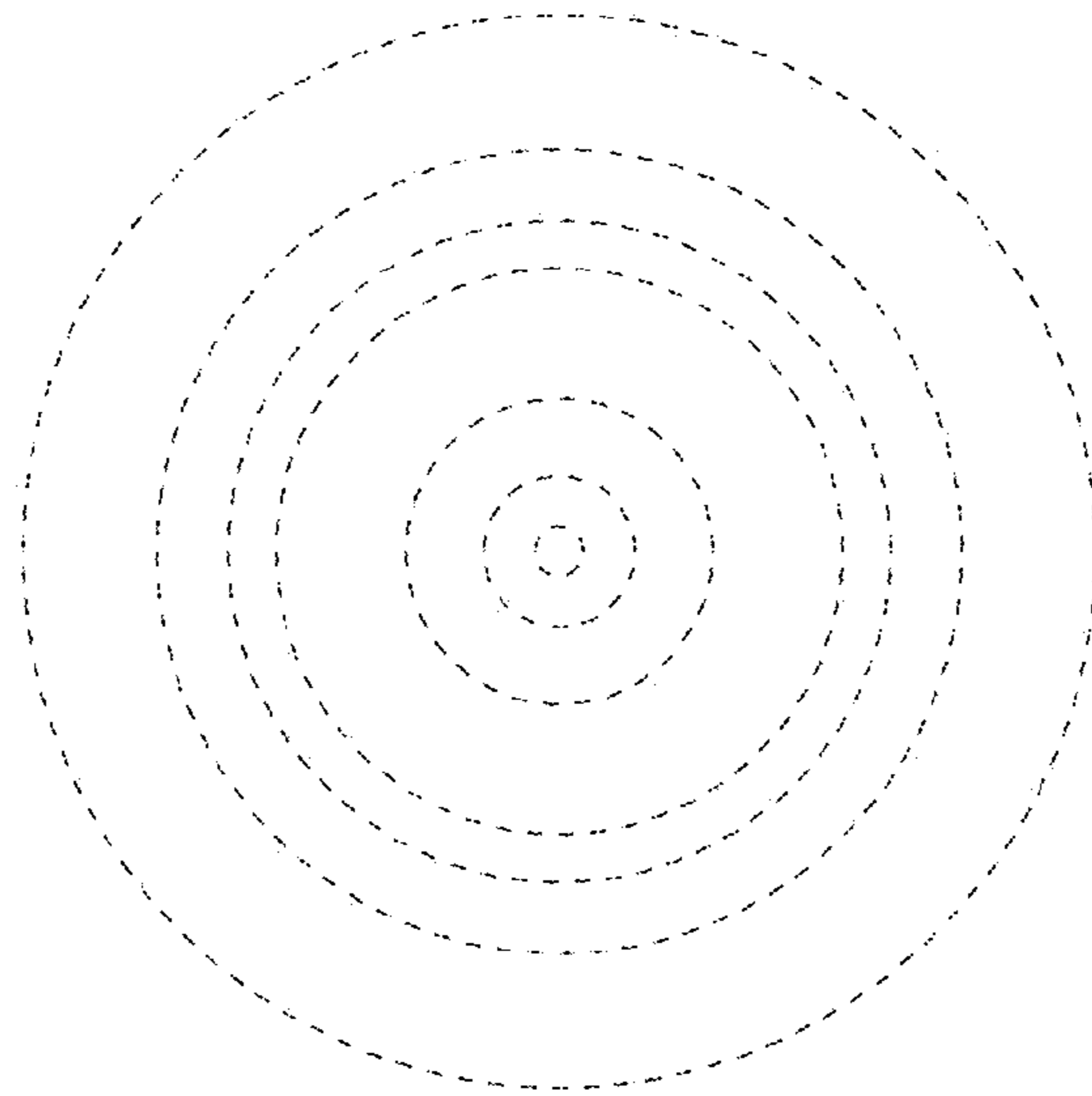


FIG. 11

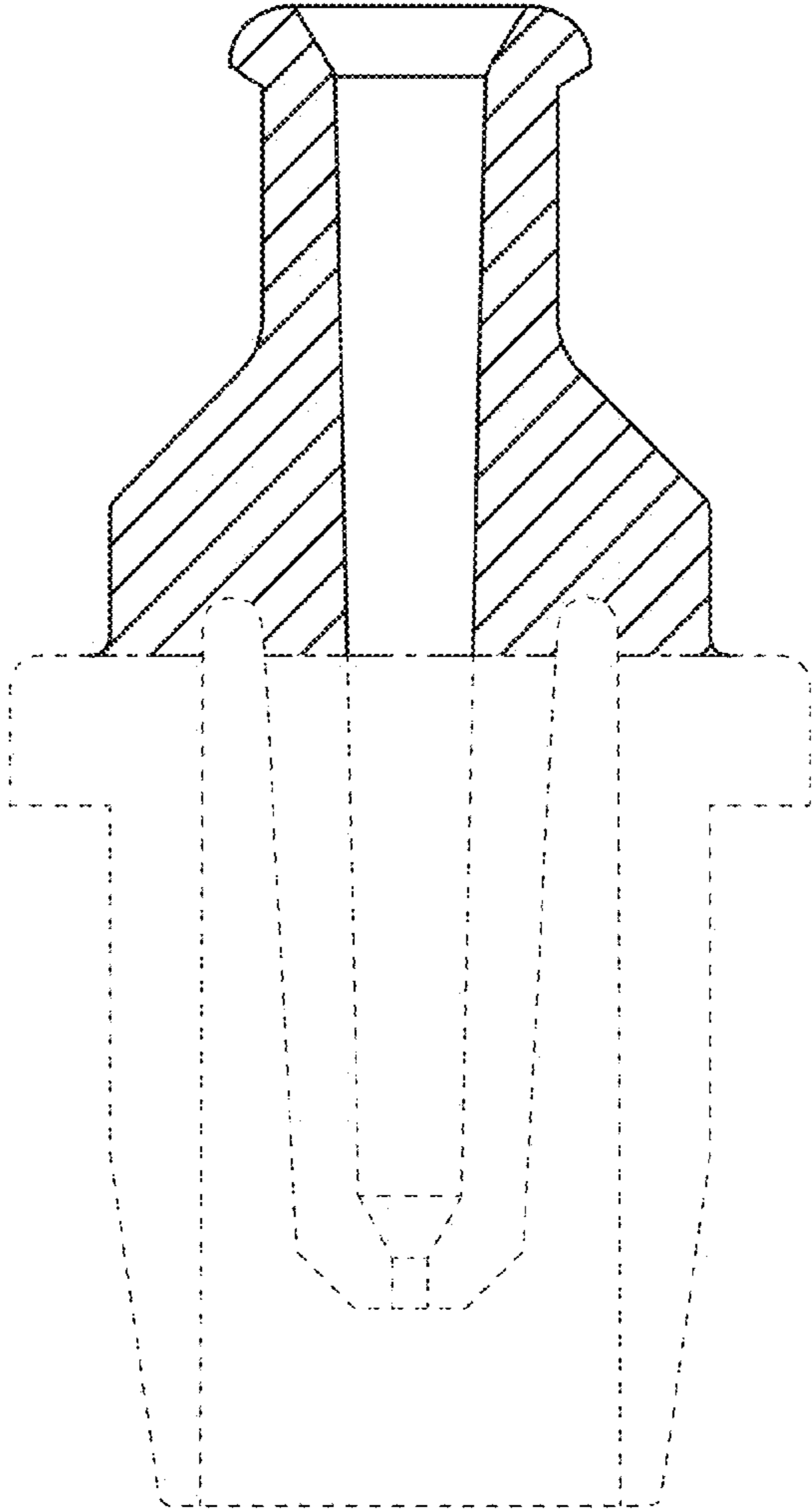


FIG. 12

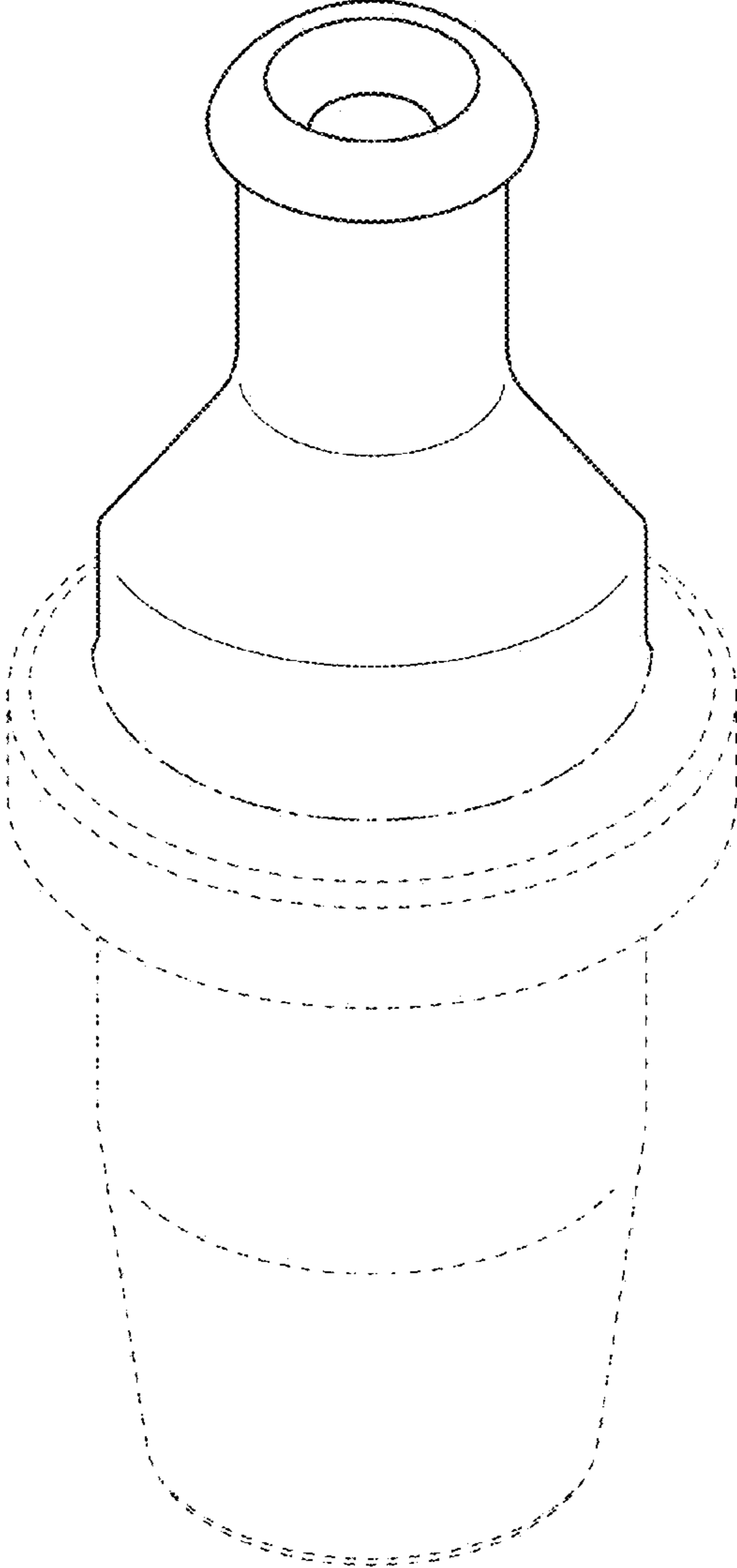


FIG. 13

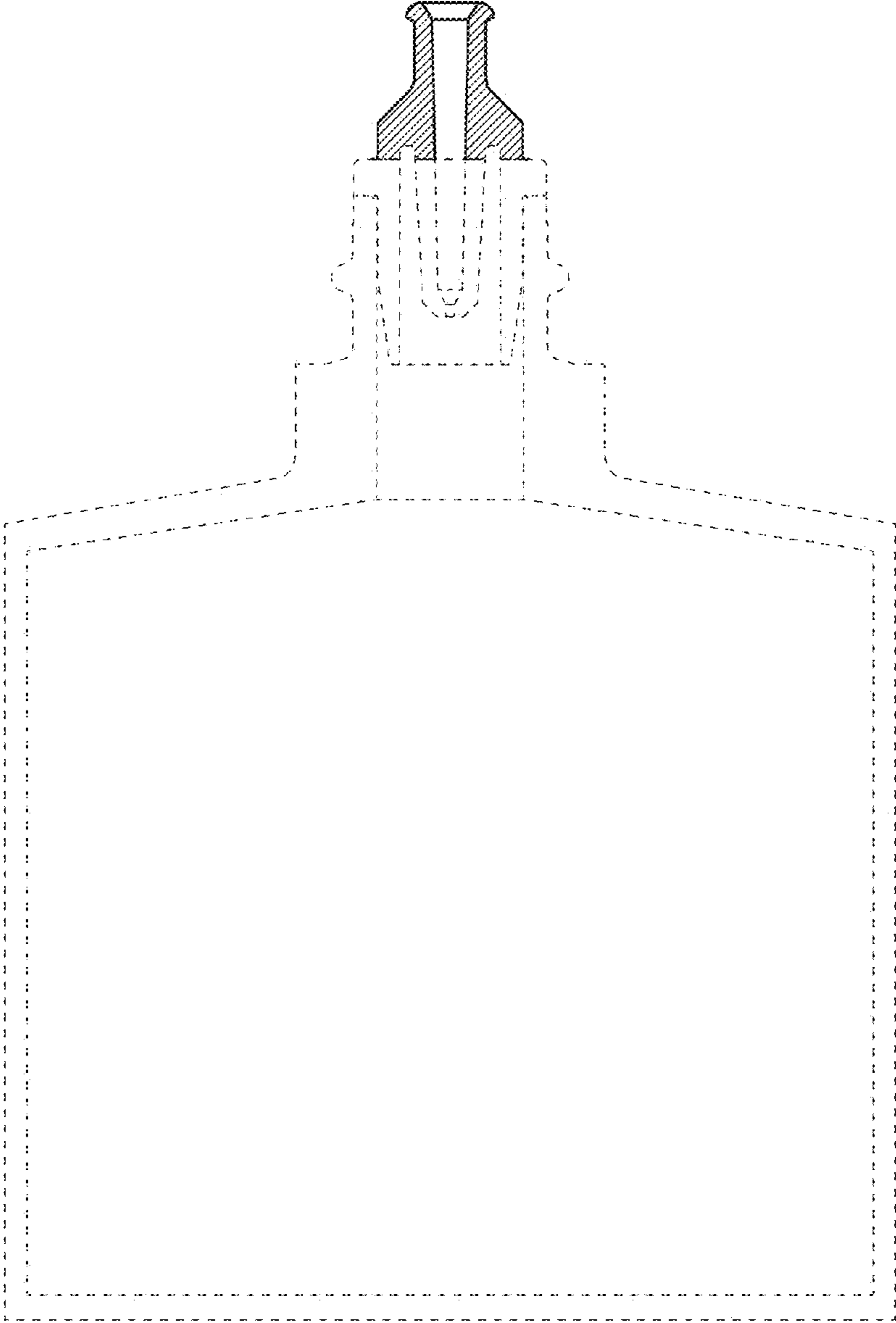


FIG. 14