



US00D721577S

(12) **United States Design Patent**
Scatterday

(10) **Patent No.:** **US D721,577 S**
(45) **Date of Patent:** **** Jan. 27, 2015**

(54) **PACKAGING ASSEMBLY**

(71) Applicant: **NJOY, Inc.**, Scottsdale, AZ (US)

(72) Inventor: **Mark Scatterday**, Scottsdale, AZ (US)

(73) Assignee: **NJOY, Inc.**, Scottsdale, AZ (US)

(**) Term: **14 Years**

(21) Appl. No.: **29/473,424**

(22) Filed: **Nov. 21, 2013**

(51) **LOC (10) Cl.** **09-03**

(52) **U.S. Cl.**

USPC **D9/432**; D9/456

(58) **Field of Classification Search**

CPC B65D 5/00; B65D 5/0015; B65D 5/0045;
B65D 5/18; B65D 5/40; B65D 5/2033;
B65D 1/22; B65D 1/225; B65D 1/24; B65D
1/34; B65D 1/38

USPC D9/414-433, 444-445, 456, 711, 715,
D9/718, 748; D7/601, 602, 538, 540,
D7/550.1; D3/203.5, 202, 207, 210;
D4/116

See application file for complete search history.

(56) **References Cited**

U.S. PATENT DOCUMENTS

374,584 A 12/1887 Cook
576,653 A 2/1897 Bowlby

(Continued)

FOREIGN PATENT DOCUMENTS

CN 101869356 A 10/2010
EP 2325093 A1 5/2011

(Continued)

OTHER PUBLICATIONS

English abstract of JP 2001-165437 A (1 page).

Primary Examiner — Susan Bennett Hattan

Assistant Examiner — Vy Koenig

(74) *Attorney, Agent, or Firm* — Bookoff McAndrews, PLLC

(57) **CLAIM**

The ornamental design for a packaging assembly, as shown and described.

DESCRIPTION

FIG. 1 is a perspective view of a packaging assembly in accordance with the present invention. The packaging assembly is shown with the lid in an open position; an electronic cigarette case is shown in broken lines within the packaging assembly and forms no part of the claimed design;

FIG. 2 is a front view of the packaging assembly of FIG. 1, shown with the lid in an open position;

FIG. 3 is a rear view of the packaging assembly of FIG. 1, shown with the lid in an open position;

FIG. 4 is a top view of the packaging assembly of FIG. 1;

FIG. 5 is a bottom view of the packaging assembly of FIG. 1;

FIG. 6 is a left side view of the packaging assembly of FIG. 1, shown with the lid in an open position;

FIG. 7 is a right side view of the packaging assembly of FIG. 1, shown with the lid in an open position;

FIG. 8 is a perspective view of a packaging assembly in accordance with the present invention, shown with the lid in a closed position;

FIG. 9 is a front view of the packaging assembly of FIG. 8, shown with the lid in a closed position;

FIG. 10 is a rear view of the packaging assembly of FIG. 8, shown with the lid in a closed position;

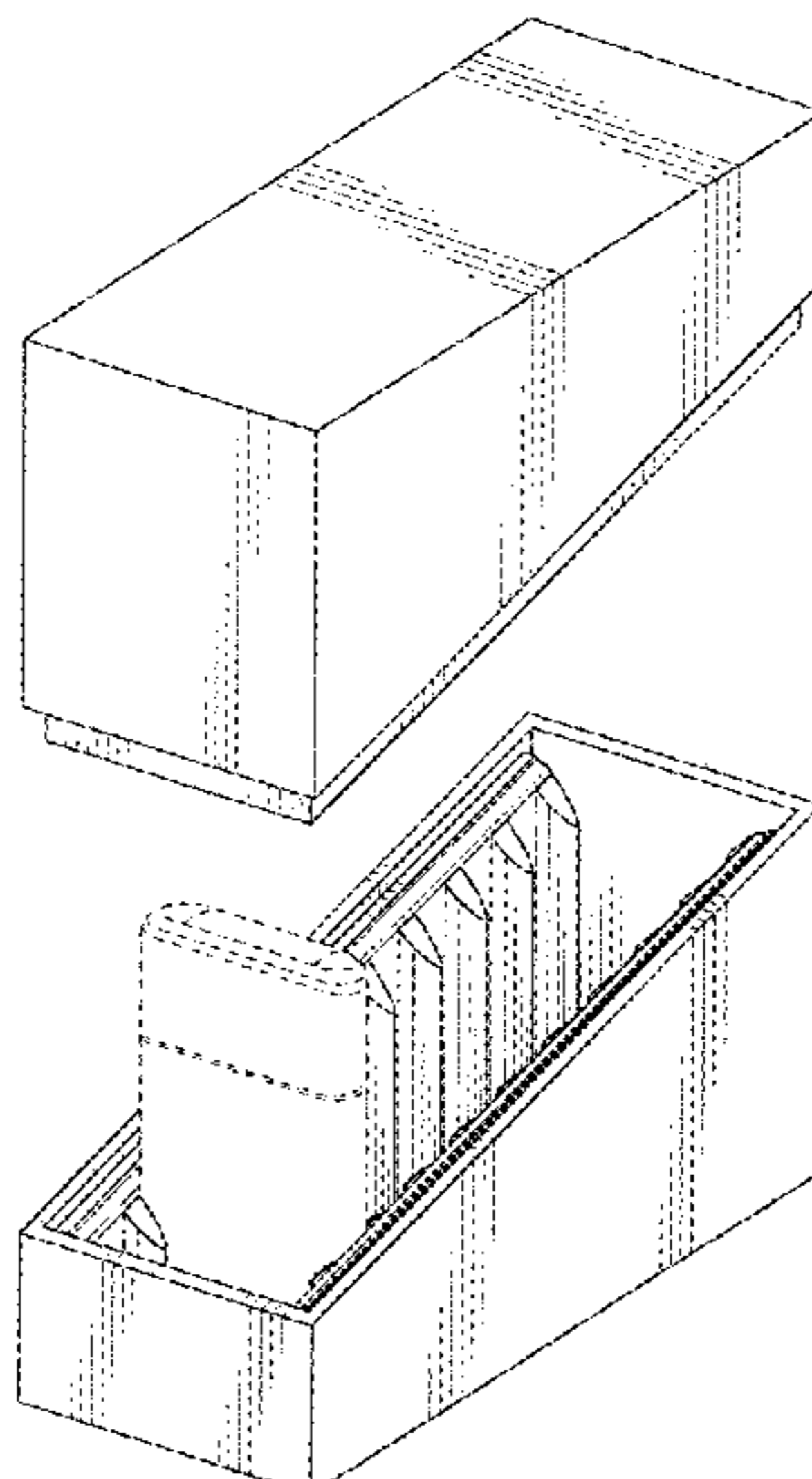
FIG. 11 is a top view of the packaging assembly of FIG. 8;

FIG. 12 is a bottom view of the packaging assembly of FIG. 8; and

FIG. 13 is a left side view of the packaging assembly of FIG. 8, shown with the lid in a closed position; and,

FIG. 14 is a right side view of the packaging assembly of FIG. 8, shown with the lid in a closed position.

1 Claim, 8 Drawing Sheets



(56)

References Cited

U.S. PATENT DOCUMENTS

595,070 A 12/1897 Oldenbusch
 799,844 A 9/1905 Fuller
 969,076 A 8/1910 Pender
 1,067,531 A 7/1913 MacGregor
 1,163,183 A 12/1915 Stoll
 1,299,162 A 4/1919 Fisher
 1,505,748 A 3/1924 Tamis
 1,552,877 A 9/1925 Phillipps et al.
 1,632,335 A 6/1927 Hierung
 1,706,244 A 3/1929 Meyerson
 1,845,340 A 2/1932 Ritz
 1,972,118 A 9/1934 McDill
 1,998,683 A 4/1935 Montgomery
 2,031,363 A 2/1936 Erikson
 2,039,559 A 5/1936 Segal
 D107,794 S * 1/1938 Rathbun D9/424
 2,327,120 A 11/1940 McCoon
 2,231,909 A 2/1941 Hempel
 2,460,427 A 2/1949 Musselman et al.
 2,483,304 A 9/1949 Vogel
 2,502,561 A 4/1950 Ebert
 2,765,949 A 10/1956 Hillman
 2,897,958 A 8/1959 Tarleton
 3,146,937 A 9/1964 Vesak
 3,420,360 A 1/1969 Young
 3,567,014 A 3/1971 Feigelman
 3,861,523 A 1/1975 Fountain et al.
 3,941,300 A 3/1976 Troth
 D244,355 S * 5/1977 Mazie et al. D9/432
 D251,360 S * 3/1979 Collin D9/432
 4,207,976 A 6/1980 Herman
 D269,068 S * 5/1983 Mann et al. D9/416
 4,519,319 A 5/1985 Howlett
 4,771,796 A 9/1988 Myer
 4,798,310 A 1/1989 Kasai et al.
 4,813,536 A 3/1989 Willis
 4,848,563 A 7/1989 Robbins
 5,005,759 A 4/1991 Bouche
 5,123,530 A 6/1992 Lee
 5,269,327 A 12/1993 Counts et al.
 5,605,226 A 2/1997 Hernlein
 5,641,064 A 6/1997 Goserud
 5,746,587 A 5/1998 Racine et al.
 5,810,164 A 9/1998 Rennecamp
 5,881,884 A 3/1999 Podosek
 5,938,018 A 8/1999 Keaveney et al.
 5,967,310 A 10/1999 Hill
 5,975,415 A 11/1999 Zehnal
 5,979,460 A 11/1999 Matsumura
 6,050,420 A * 4/2000 Green 206/764
 6,269,966 B1 8/2001 Pallo et al.
 6,386,371 B1 5/2002 Parsons
 6,431,363 B1 8/2002 Hacker
 6,446,793 B1 9/2002 Layshock
 6,510,982 B2 1/2003 White et al.
 D472,463 S * 4/2003 Kinigakis D9/416
 6,557,708 B2 5/2003 Polacco
 6,622,867 B2 9/2003 Menceles
 6,672,762 B1 1/2004 Faircloth
 6,726,006 B1 4/2004 Funderburk et al.
 7,000,775 B2 2/2006 Gelardi
 D528,411 S * 9/2006 Nehus et al. D9/432
 D548,592 S * 8/2007 Kudo et al. D9/432
 7,374,048 B2 5/2008 Mazurek
 D575,149 S * 8/2008 Baranowski D9/432
 7,546,703 B2 6/2009 Johnske et al.
 7,621,403 B2 11/2009 Althoff et al.
 7,644,823 B2 1/2010 Gelardi et al.
 D613,171 S * 4/2010 Sempe D9/517
 7,815,332 B1 10/2010 Smith
 7,886,507 B2 2/2011 McGuinness, Jr.

7,988,034 B2 8/2011 Pezzoli
 8,141,701 B2 3/2012 Hodges
 8,443,534 B2 5/2013 Goodfellow et al.
 8,464,867 B2 6/2013 Holloway et al.
 8,539,959 B1 9/2013 Scatterday
 8,596,460 B2 12/2013 Scatterday
 D700,070 S * 2/2014 Markovic D9/736
 2001/0032795 A1 10/2001 Weinstein et al.
 2001/0052480 A1 12/2001 Kawaguchi et al.
 2002/0043554 A1 4/2002 White et al.
 2002/0175164 A1 11/2002 Dees et al.
 2003/0089377 A1 5/2003 Hajaligol et al.
 2004/0149624 A1 8/2004 Wischusen, III et al.
 2005/0061759 A1 3/2005 Doucette
 2005/0118545 A1 6/2005 Wong
 2005/0145533 A1 7/2005 Seligson
 2005/0172976 A1 8/2005 Newman et al.
 2006/0054676 A1 3/2006 Wischusen, III
 2006/0150991 A1 7/2006 Lee
 2006/0254948 A1 11/2006 Herbert et al.
 2006/0255105 A1 11/2006 Sweet
 2007/0098148 A1 5/2007 Sherman
 2007/0235046 A1 10/2007 Gedevanishvili
 2007/0267033 A1 11/2007 Mishra et al.
 2008/0092912 A1 4/2008 Robinson et al.
 2008/0276947 A1 11/2008 Martzel
 2009/0095311 A1 4/2009 Han
 2009/0267252 A1 10/2009 Ikeyama
 2009/0288669 A1 11/2009 Hutchens
 2010/0000672 A1 1/2010 Fogle
 2010/0031968 A1 2/2010 Sheikh et al.
 2010/0186757 A1 7/2010 Crooks et al.
 2010/0200006 A1 8/2010 Robinson et al.
 2010/0242974 A1 9/2010 Pan
 2010/0276333 A1 11/2010 Couture
 2010/0307116 A1 12/2010 Fisher
 2011/0049226 A1 3/2011 Moreau et al.
 2011/0155153 A1 6/2011 Thorens et al.
 2011/0162667 A1 7/2011 Burke et al.
 2011/0168194 A1 7/2011 Hon
 2011/0180433 A1 7/2011 Rennecamp
 2011/0232654 A1 9/2011 Mass
 2011/0265806 A1 11/2011 Alarcon et al.
 2011/0278189 A1 11/2011 Terry et al.
 2011/0315701 A1 12/2011 Everson
 2012/0060853 A1 3/2012 Robinson et al.
 2012/0204889 A1 8/2012 Xiu
 2012/0227753 A1 9/2012 Newton
 2012/0261286 A1 10/2012 Holloway et al.
 2012/0267383 A1 10/2012 Van Rooyen
 2013/0140200 A1 6/2013 Scatterday
 2013/0228191 A1 9/2013 Newton
 2013/0247924 A1 9/2013 Scatterday et al.
 2013/0248385 A1 9/2013 Scatterday et al.
 2013/0276802 A1 10/2013 Scatterday
 2013/0284190 A1 10/2013 Scatterday et al.
 2013/0284191 A1 10/2013 Scatterday et al.
 2014/0196731 A1 7/2014 Scatterday

FOREIGN PATENT DOCUMENTS

JP 2001-165437 A 6/2001
 WO WO-2011/033396 A1 3/2011
 WO WO-2011/117580 A2 9/2011
 WO WO-2012/021972 A1 2/2012
 WO WO 2013/141906 9/2013
 WO WO 2013/141907 9/2013
 WO WO 2013/141994 9/2013
 WO WO 2013/141998 9/2013
 WO WO 2013/142671 9/2013
 WO WO 2013/142678 9/2013
 WO WO 2014/113592 7/2014

* cited by examiner

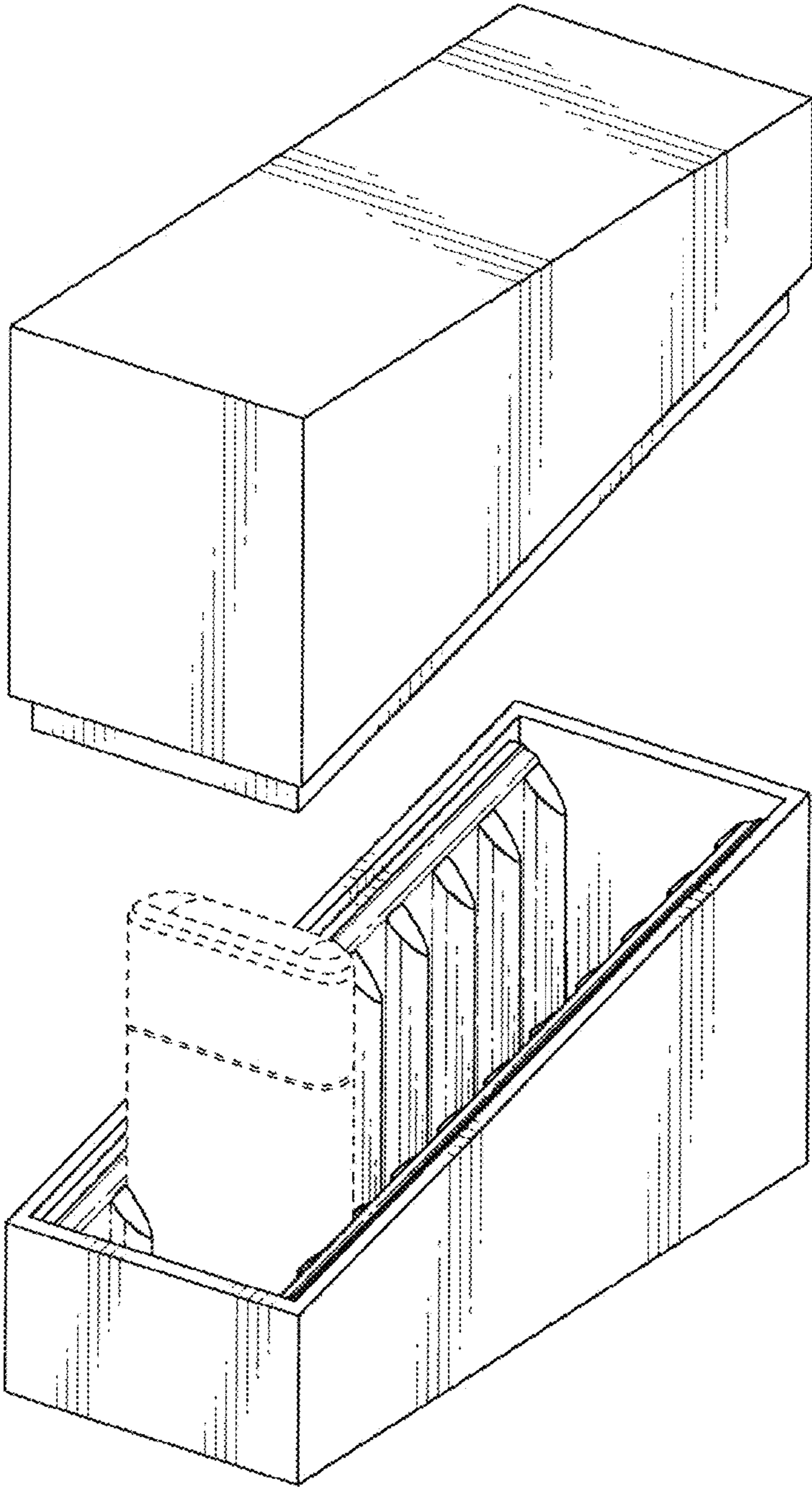
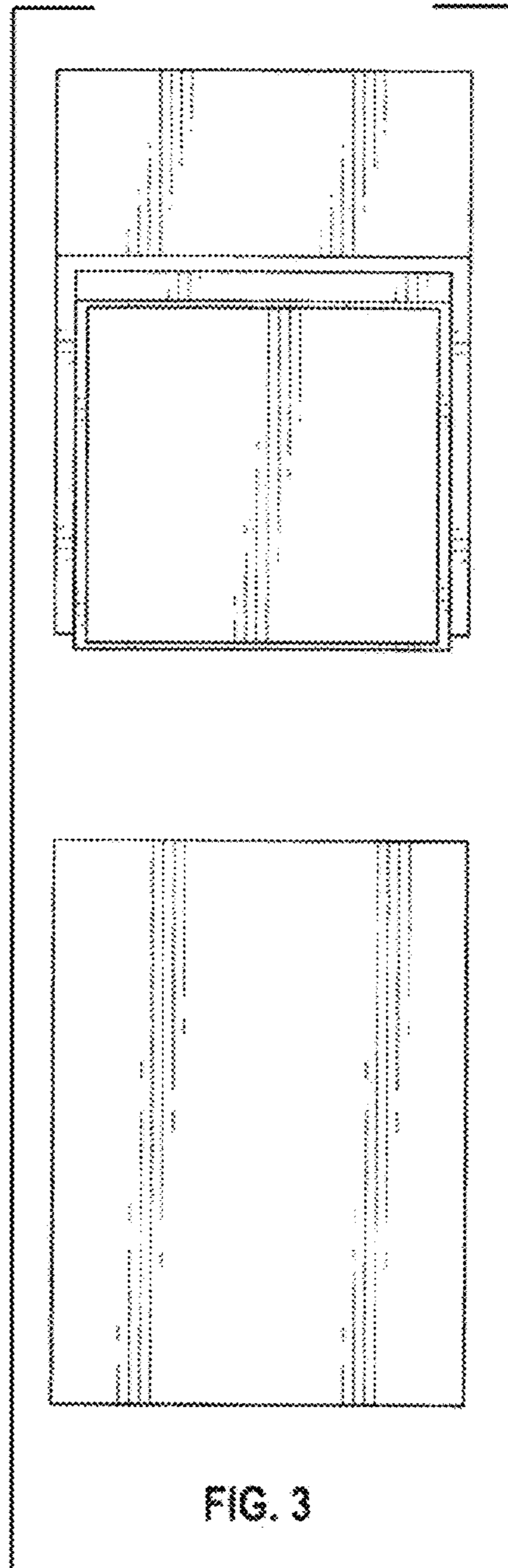
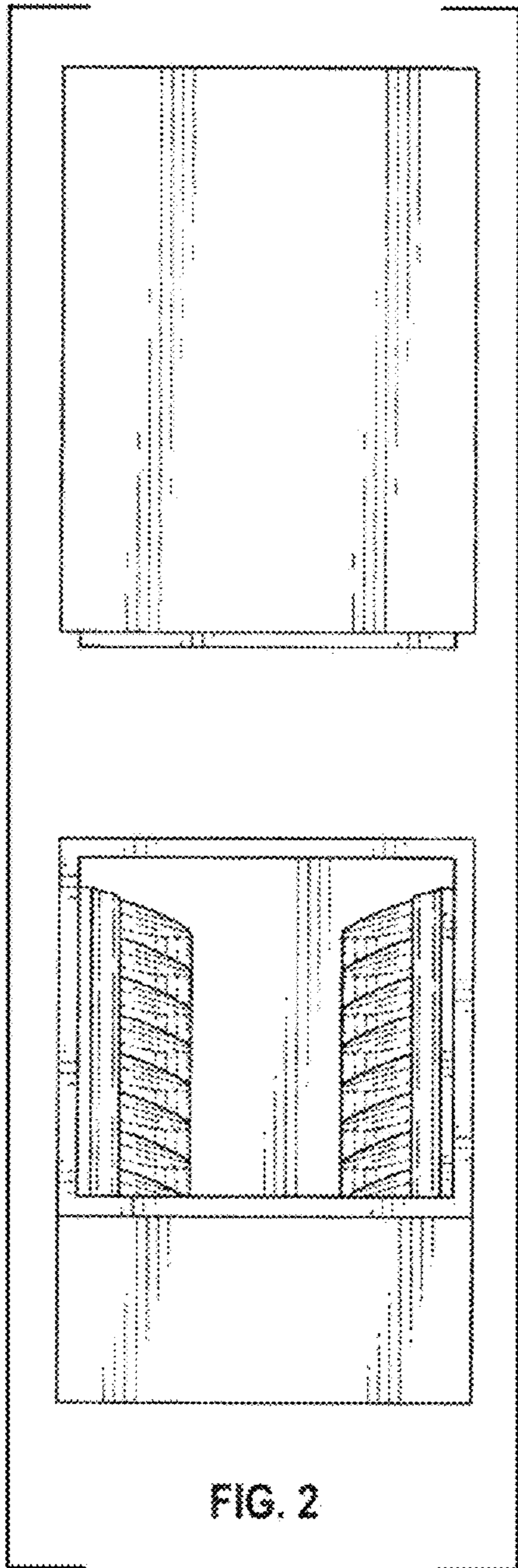


FIG. 1



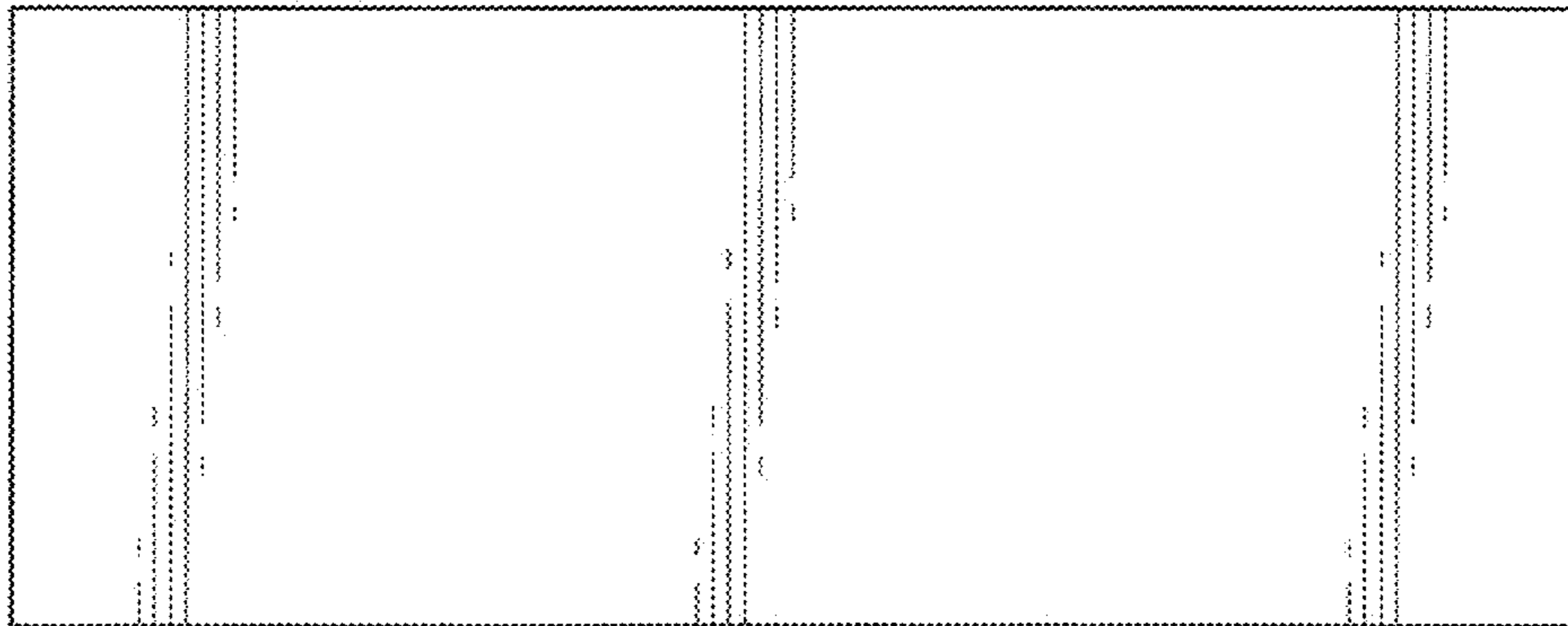


FIG. 4

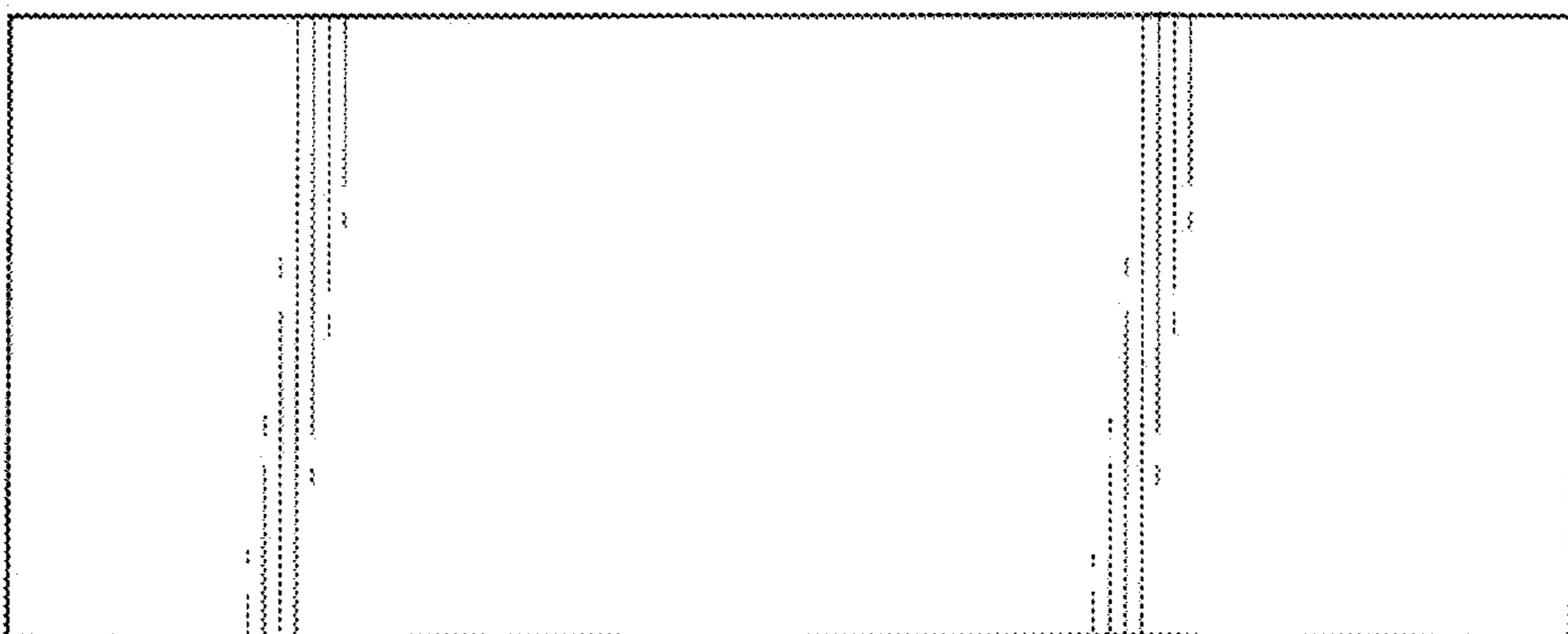


FIG. 5

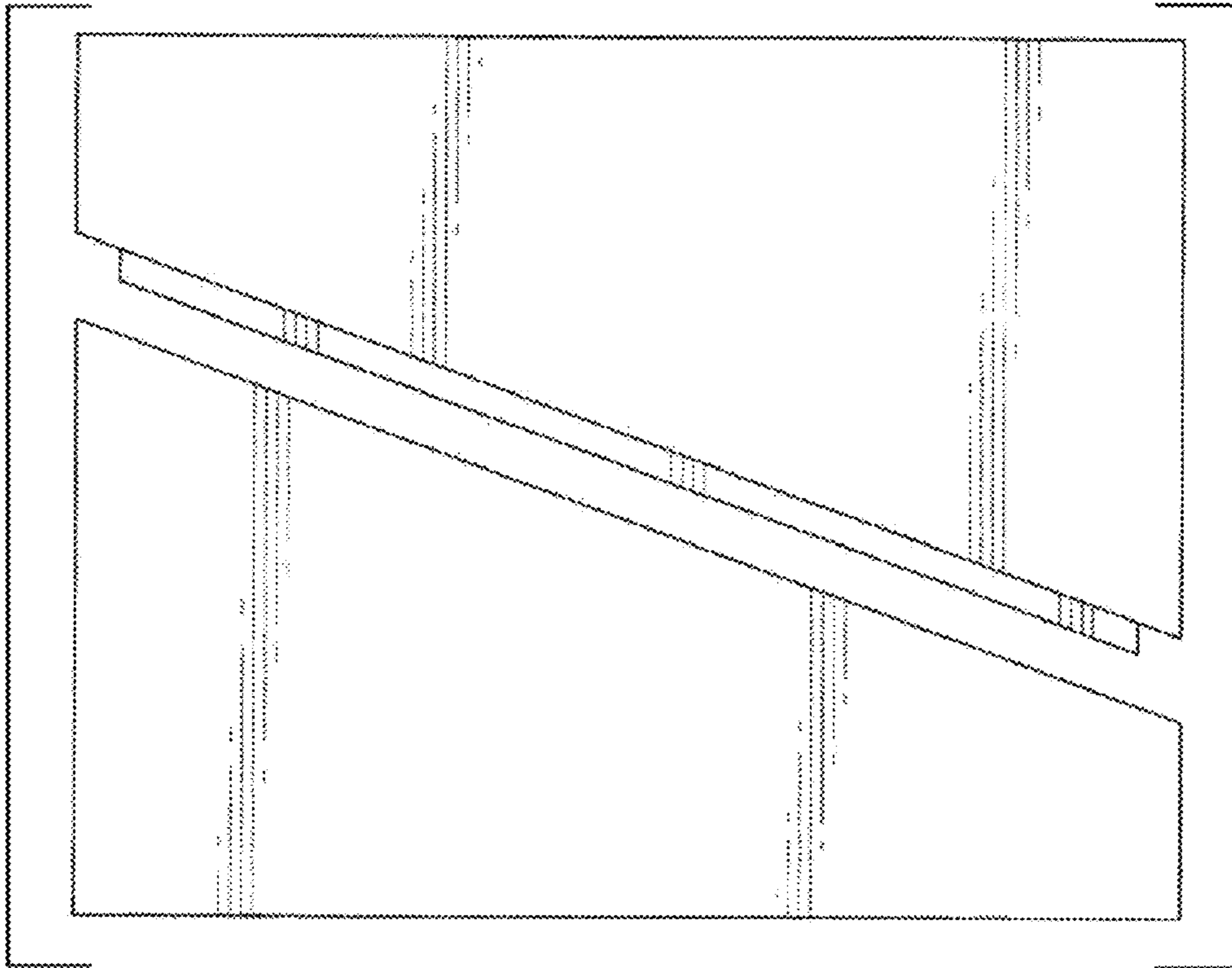


FIG. 6

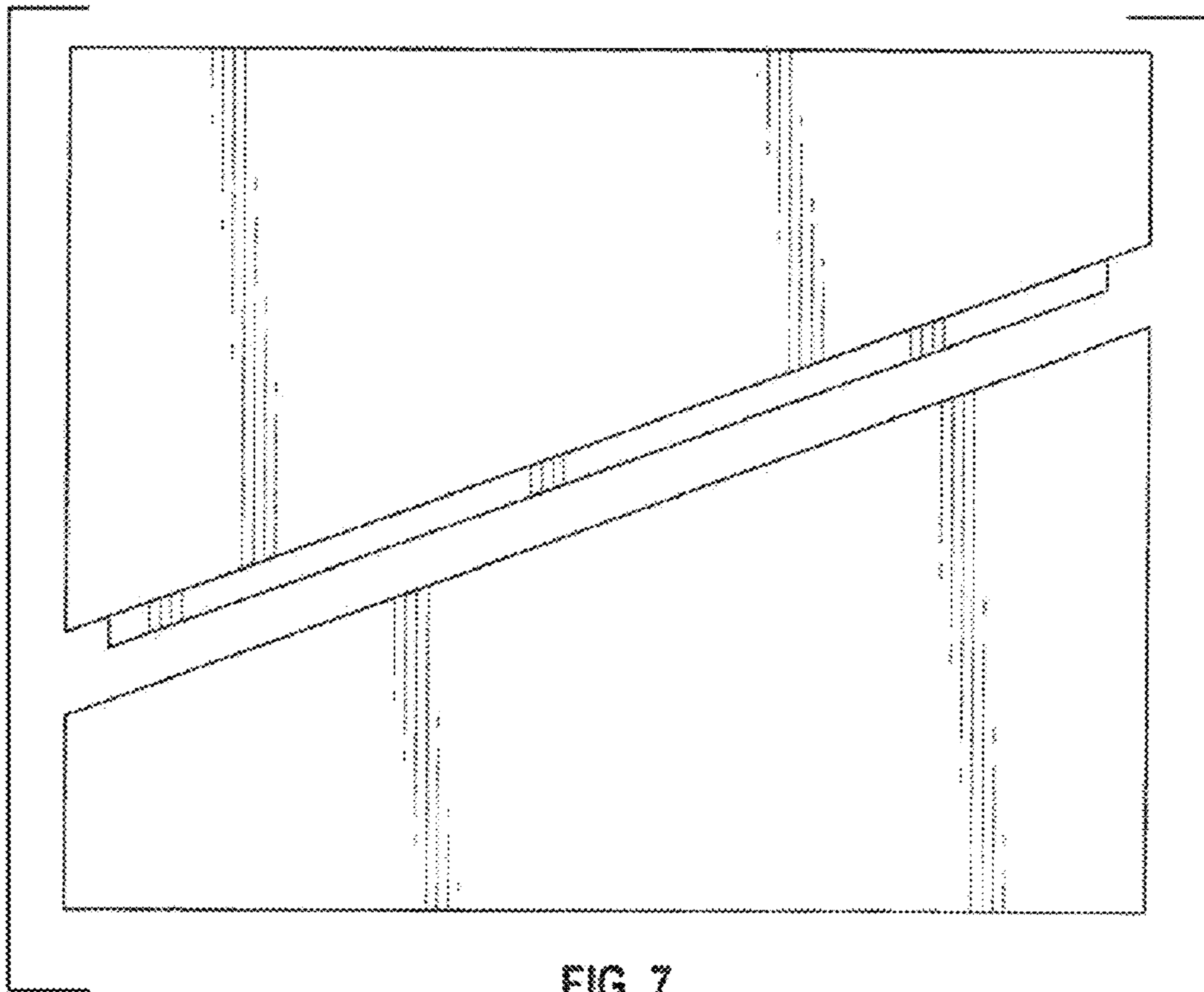


FIG. 7

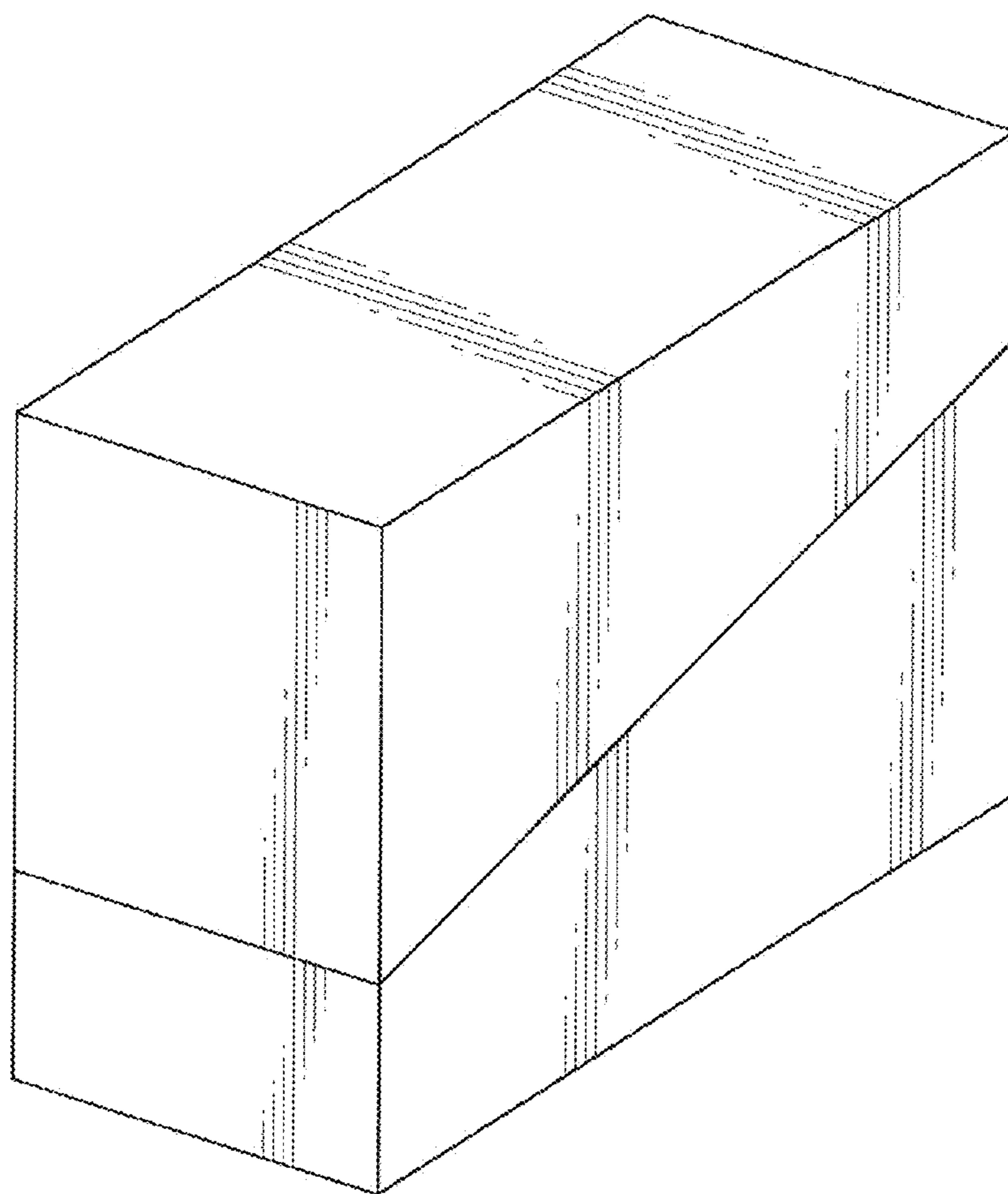


FIG. 8

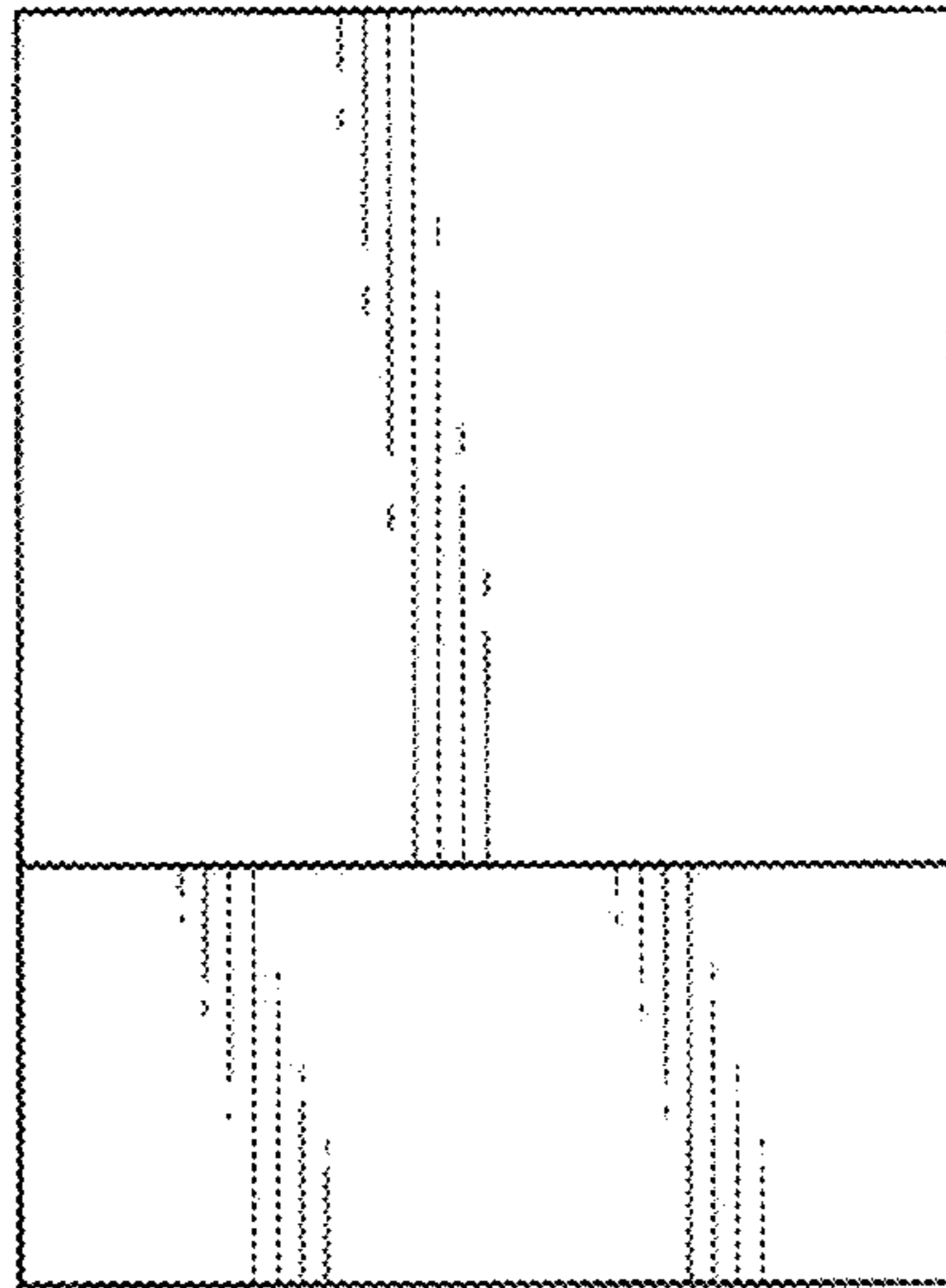


FIG. 9

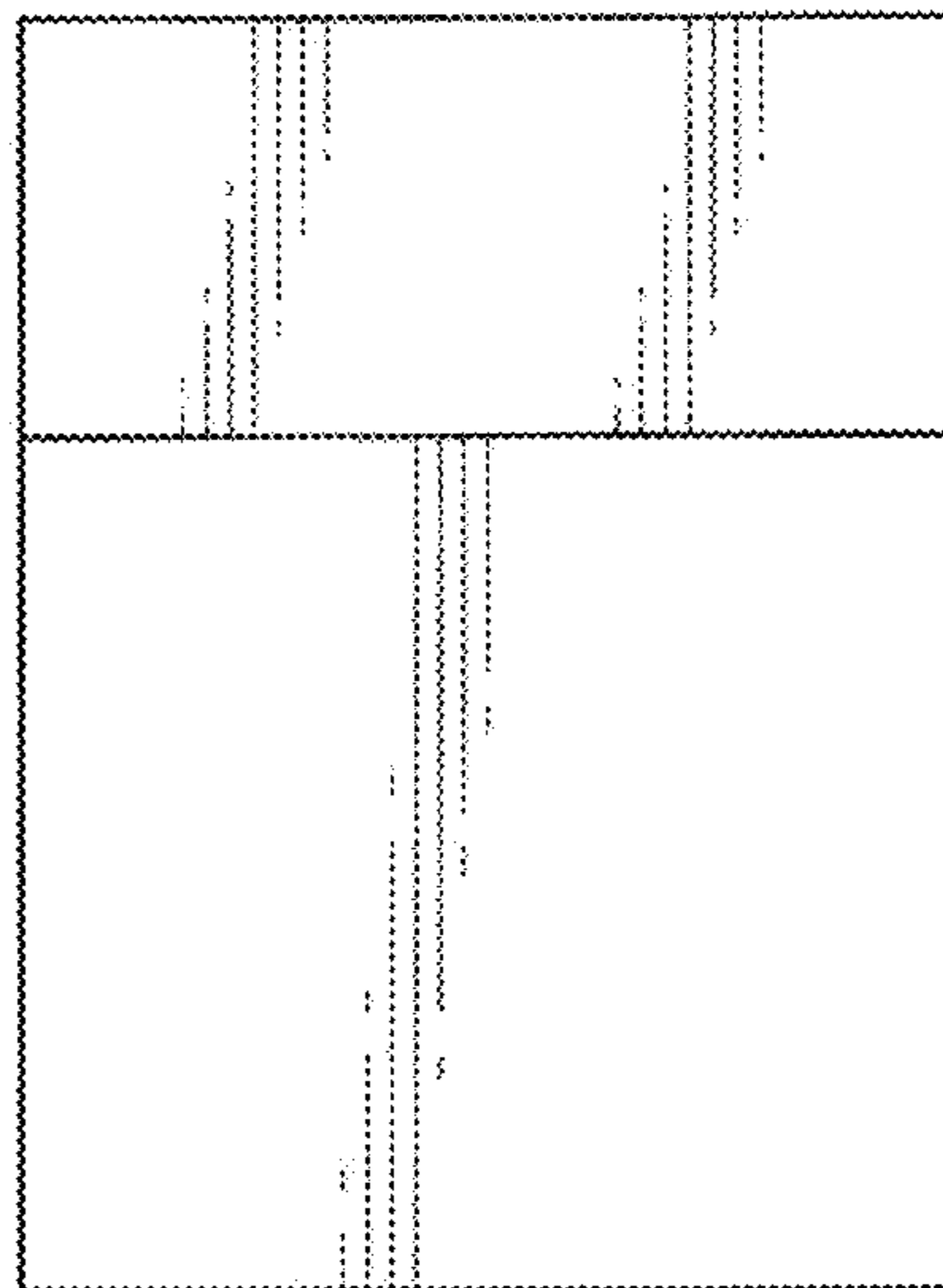


FIG. 10

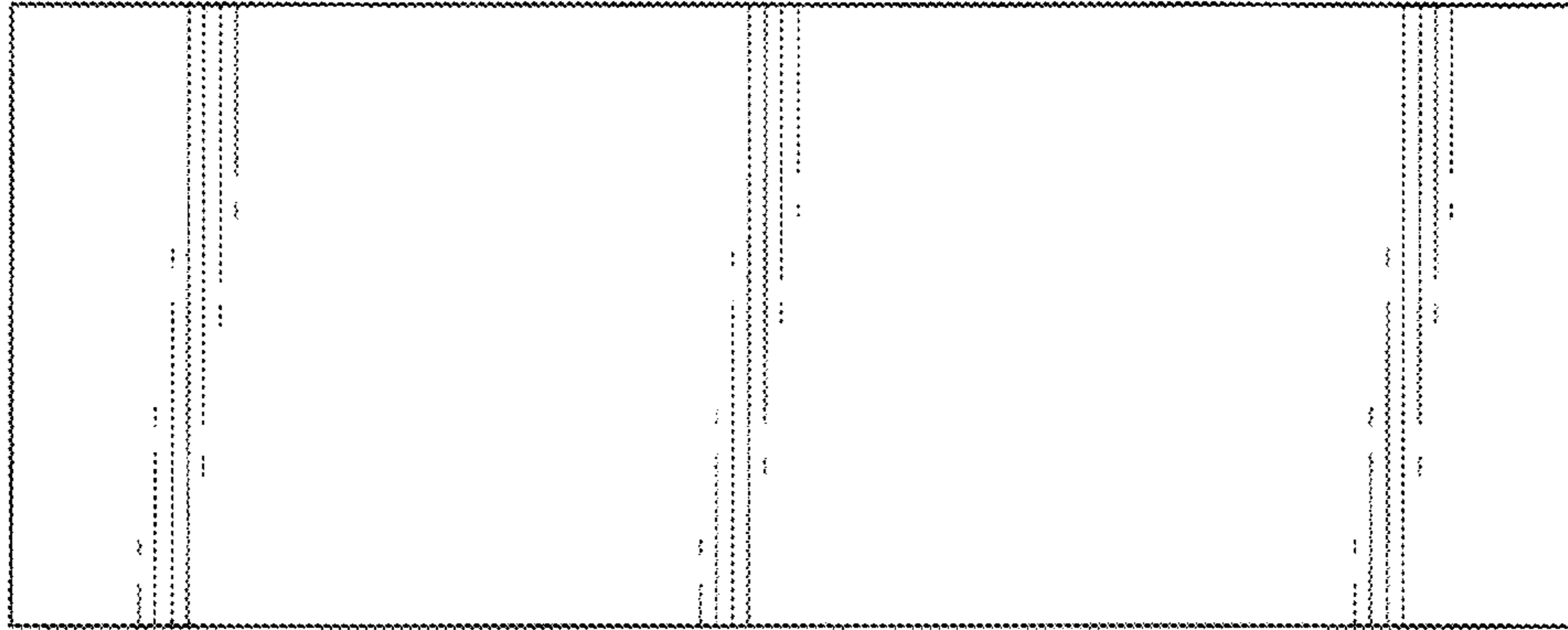


FIG. 11

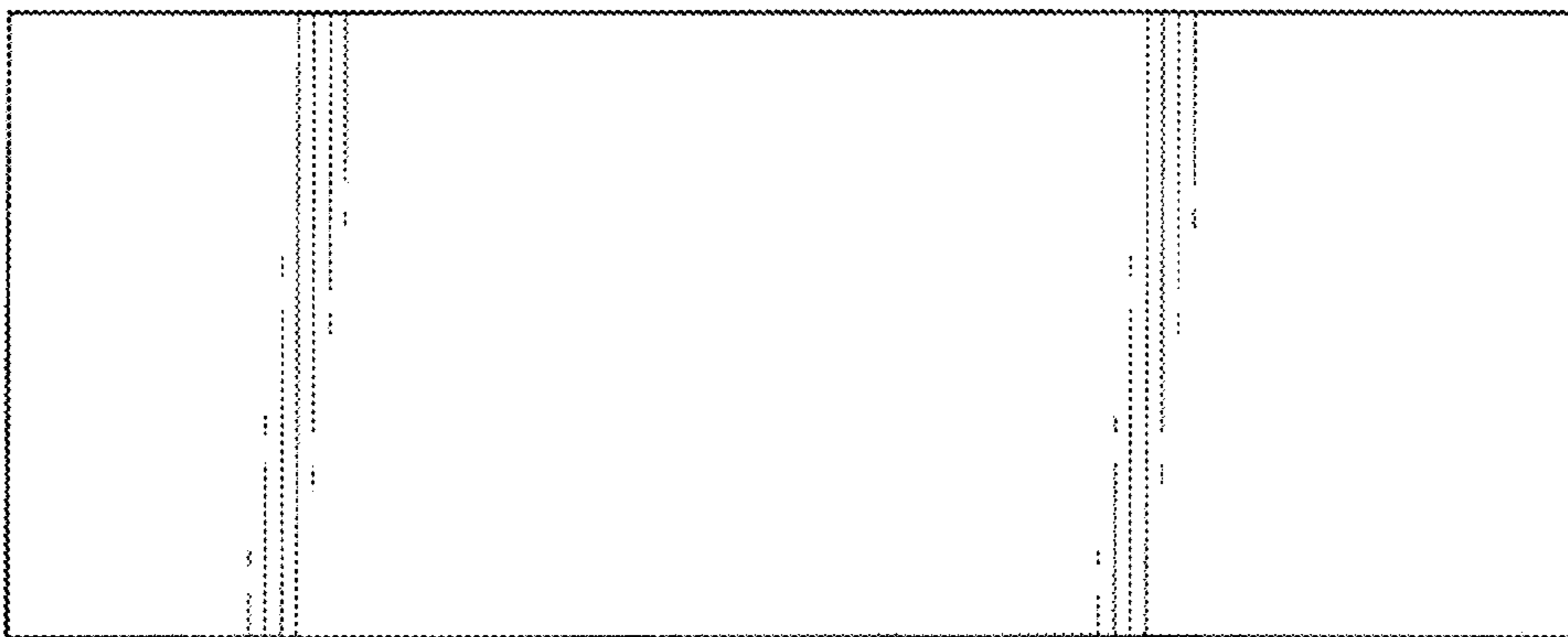


FIG. 12

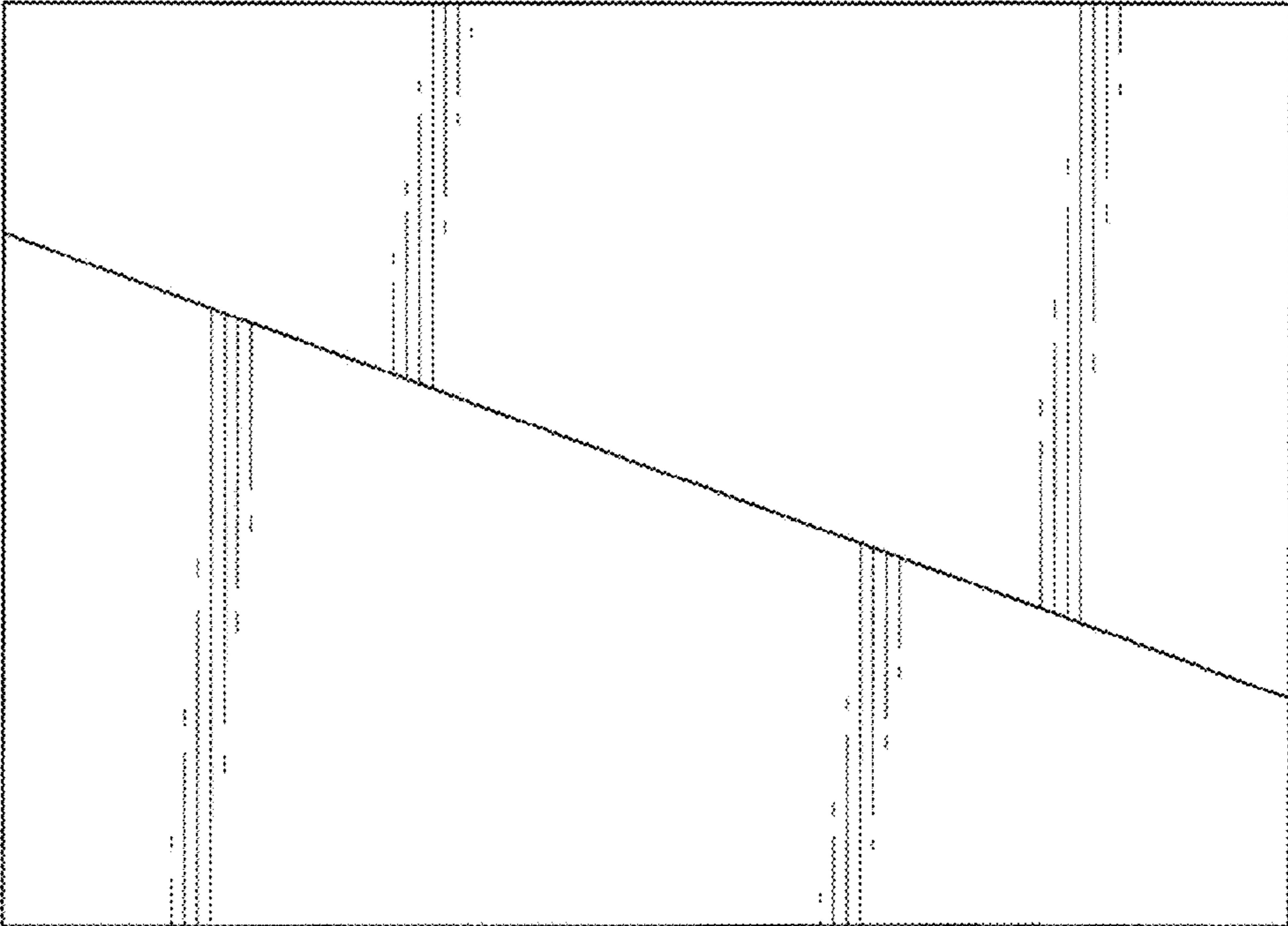


FIG. 13

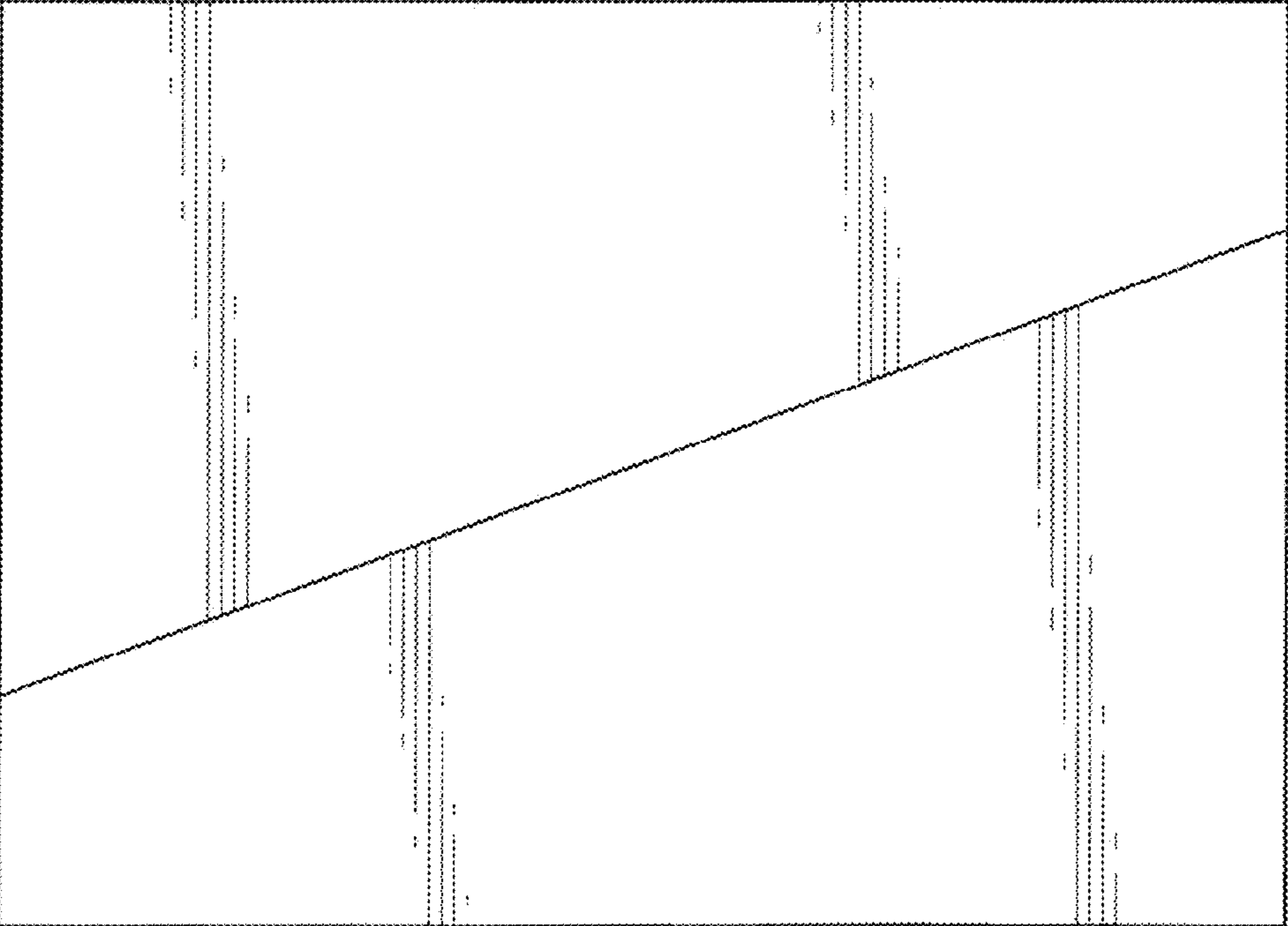


FIG. 14