



US00D721576S

(12) **United States Design Patent**
De Pietri Tonelli et al.

(10) **Patent No.:** **US D721,576 S**
(45) **Date of Patent:** **** Jan. 27, 2015**

(54) **PACKAGING CONTAINER**

(71) Applicant: **Tetra Laval Holdings & Finance S.A.**,
Pully (CH)

(72) Inventors: **Roberto De Pietri Tonelli**, Colombaro
di Formigine (IT); **Marcello Barbieri**,
Modena (IT); **Marco Marchetti**, Carpi
(IT); **Davide Morciano**, Modena (IT);
Stefano Costa, Casalmaggiore (IT)

(73) Assignee: **Tetra Laval Holdings & Finance S.A.**,
Pully (CH)

(**) Term: **14 Years**

(21) Appl. No.: **29/476,305**

(22) Filed: **Dec. 12, 2013**

(30) **Foreign Application Priority Data**

Jul. 26, 2013 (EM) 002282137

(51) **LOC (10) Cl.** **09-03**

(52) **U.S. Cl.**
USPC **D9/431**

(58) **Field of Classification Search**

CPC B65D 5/00; B65D 5/0015; B65D 5/0045;
B65D 5/18; B65D 5/40; B65D 5/2033;
B65D 1/22; B65D 1/225; B65D 1/24; B65D
1/34; B65D 1/38

USPC D9/414-433, 444-445, 456, 711, 715,
D9/718, 748; D7/601, 602, 538, 540,
D7/550.1; D3/203.5, 202, 207, 210;
D4/116

See application file for complete search history.

(56) **References Cited**

U.S. PATENT DOCUMENTS

D182,383 S * 3/1958 Samsing D9/414
5,938,107 A * 8/1999 Samsing 229/109
D460,355 S * 7/2002 Lenz et al. D9/431

D521,373 S * 5/2006 Stanton D9/430
7,523,853 B2 * 4/2009 Kortsmitt et al. 229/108
D624,404 S * 9/2010 Darbonne D9/431
D635,018 S * 3/2011 Wallace et al. D9/433
D668,539 S * 10/2012 Barbieri et al. D9/431
D677,565 S * 3/2013 Barbieri et al. D9/431
D691,882 S * 10/2013 Barbieri et al. D9/430
D702,117 S * 4/2014 Dagnino D9/417
2011/0192118 A1 * 8/2011 Kaneko 53/458

* cited by examiner

Primary Examiner — Susan Bennett Hattan

Assistant Examiner — Vy Koenig

(74) *Attorney, Agent, or Firm* — Buchanan Ingersoll &
Rooney P.C.

(57) **CLAIM**

The ornamental design for a packaging container, as shown
and described.

DESCRIPTION

FIG. 1 is a front, left perspective view of a packaging con-
tainer showing a first embodiment of our new design.

FIG. 2 is a left side elevational view thereof, the other side
being a mirror image.

FIG. 3 is a front elevational view thereof.

FIG. 4 is a top plan view thereof.

FIG. 5 is a front, left perspective view of a packaging con-
tainer showing a second embodiment of our new design.

FIG. 6 is a left side elevational view thereof, the other side
being a mirror image.

FIG. 7 is a front elevational view thereof.

FIG. 8 is a top plan view thereof.

FIG. 9 is a front, left perspective view of a packaging con-
tainer showing a third embodiment of our new design.

FIG. 10 is a left side elevational view thereof, the other side
being a mirror image.

FIG. 11 is a front elevational view thereof; and,

FIG. 12 is a top plan view thereof.

The broken lines shown in the drawings depict environmental
features that form no part of the claimed design.

1 Claim, 12 Drawing Sheets

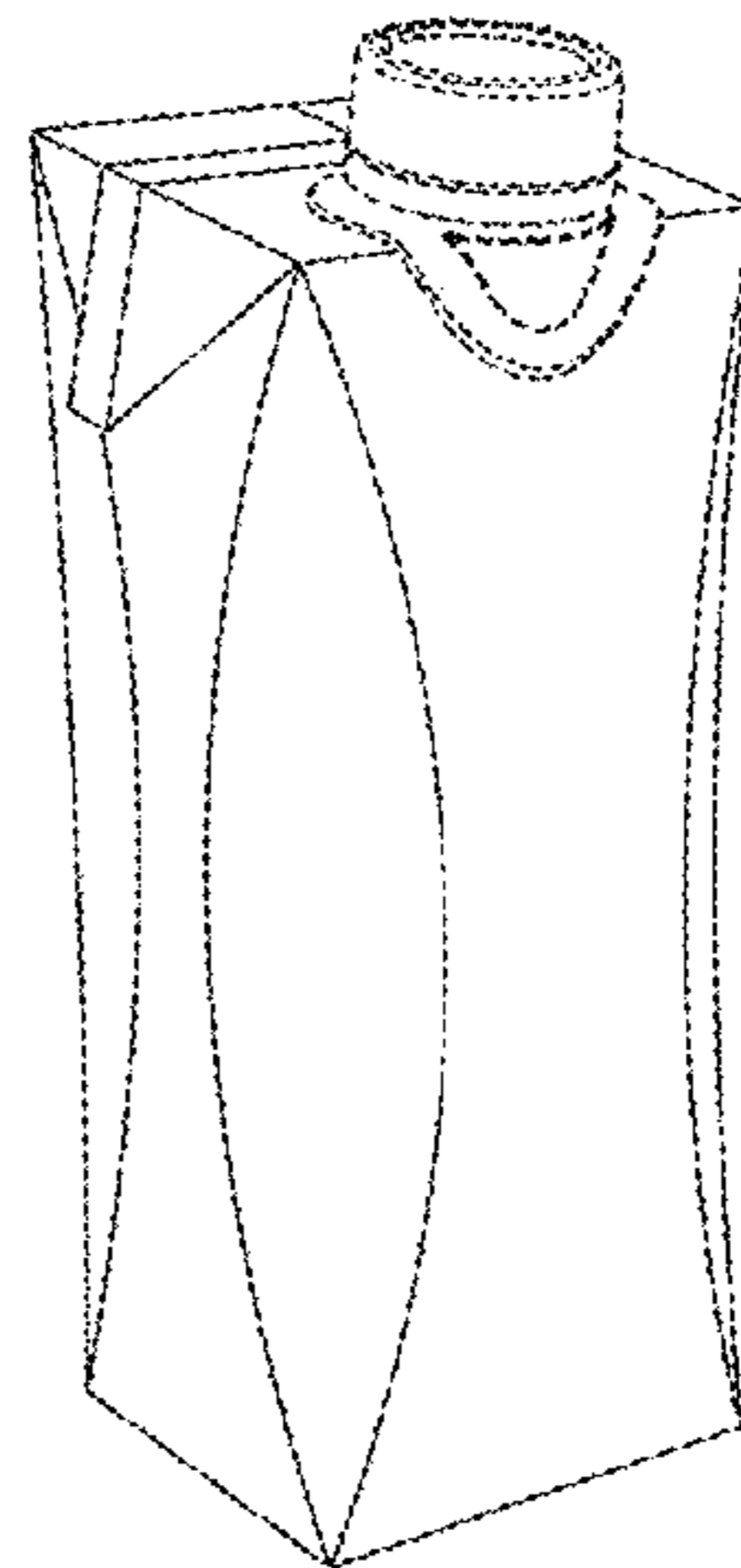
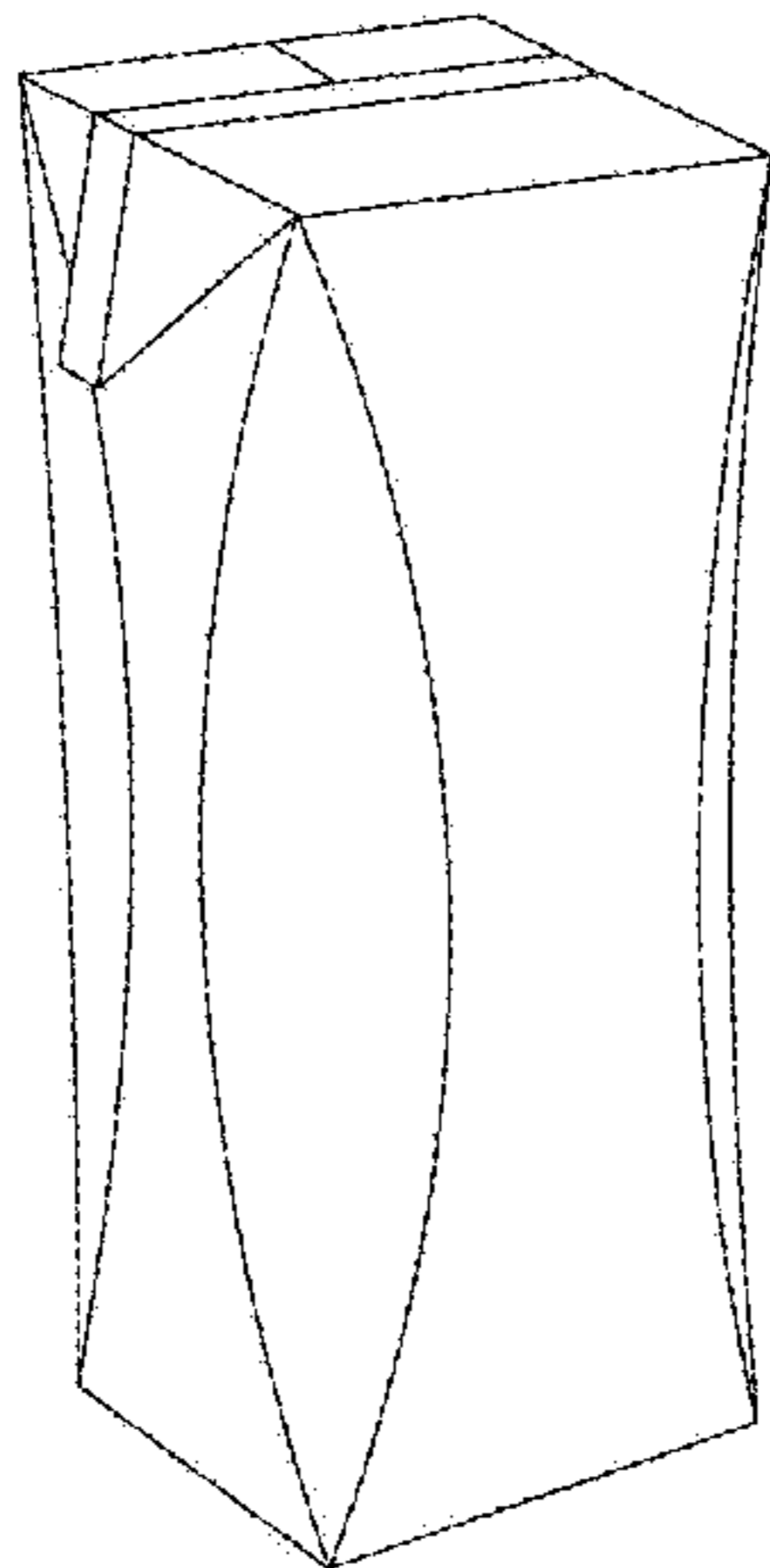


FIG. 1

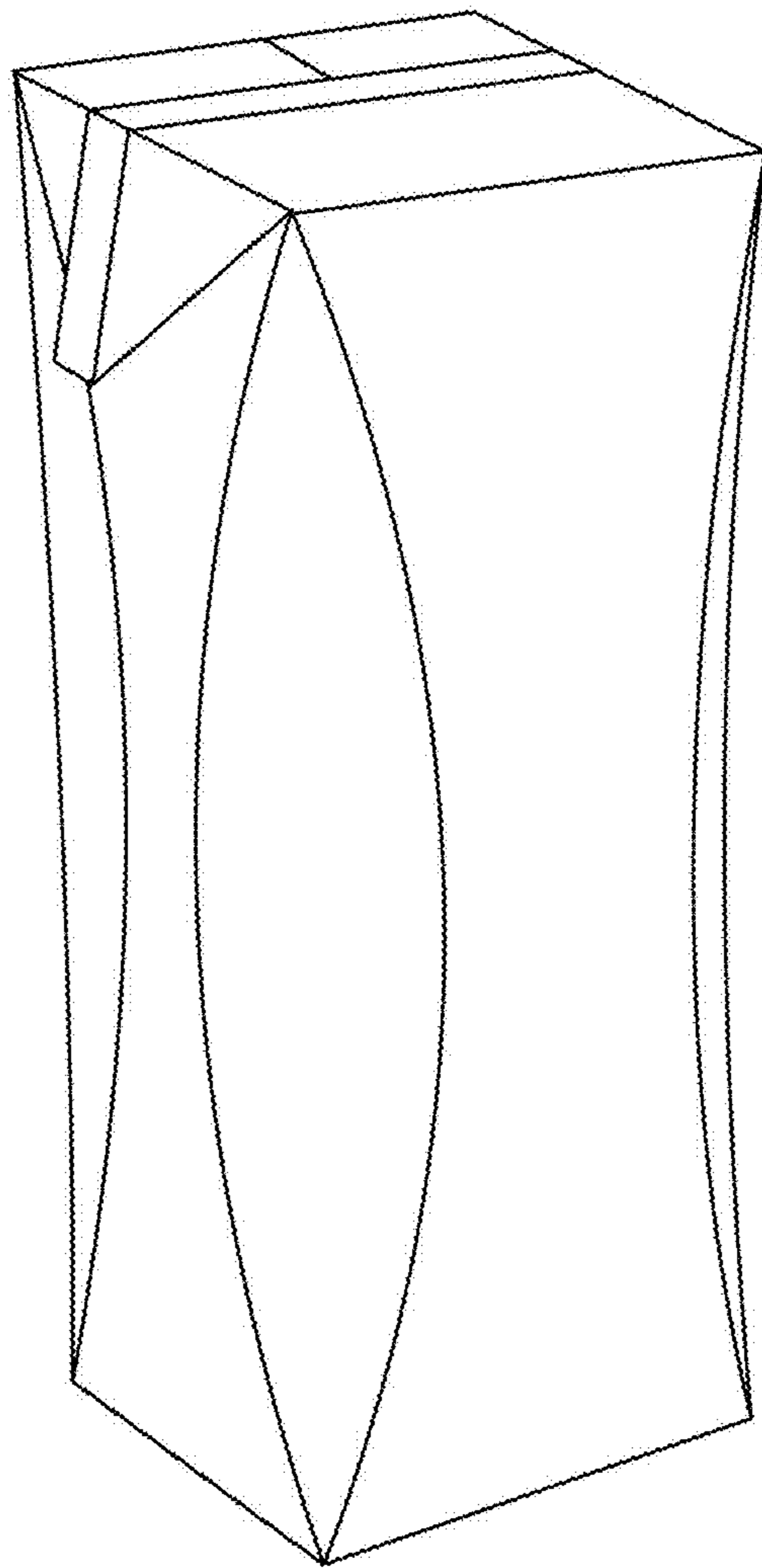


FIG. 2

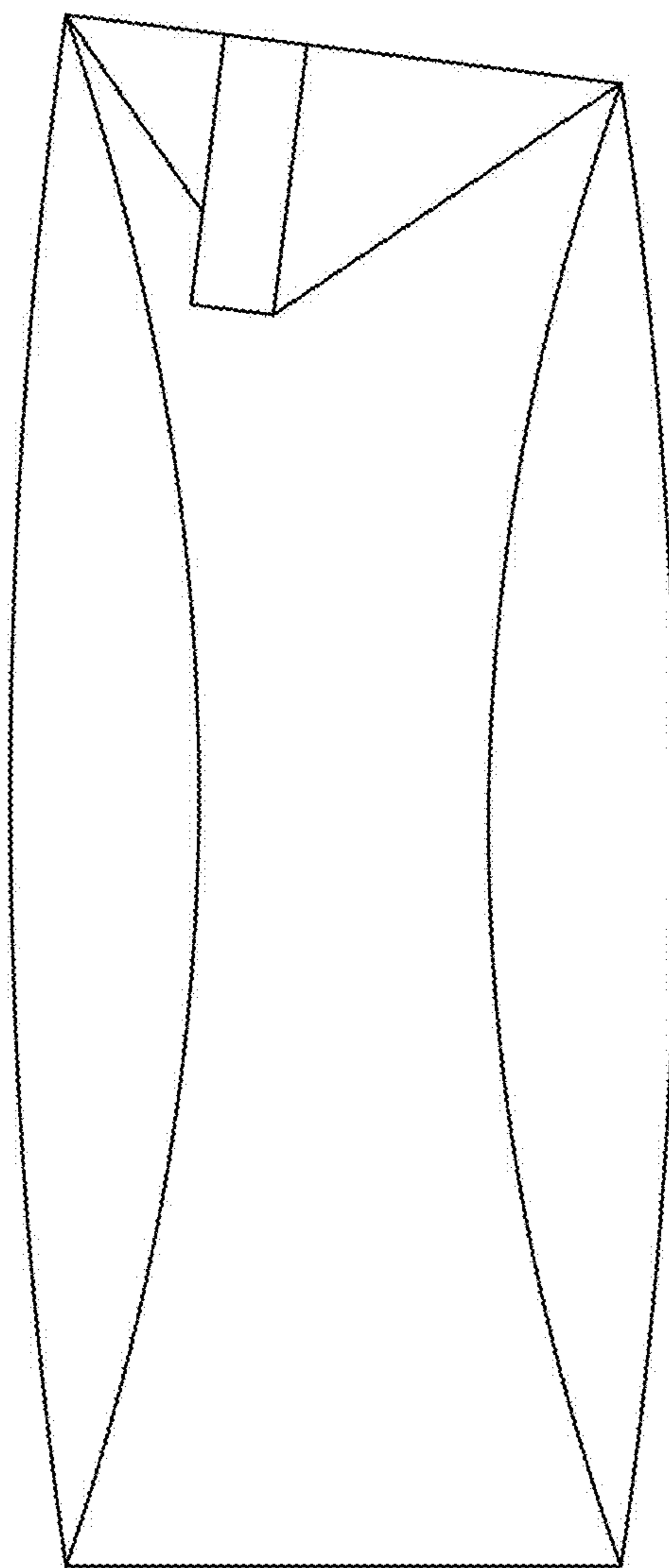


FIG. 3

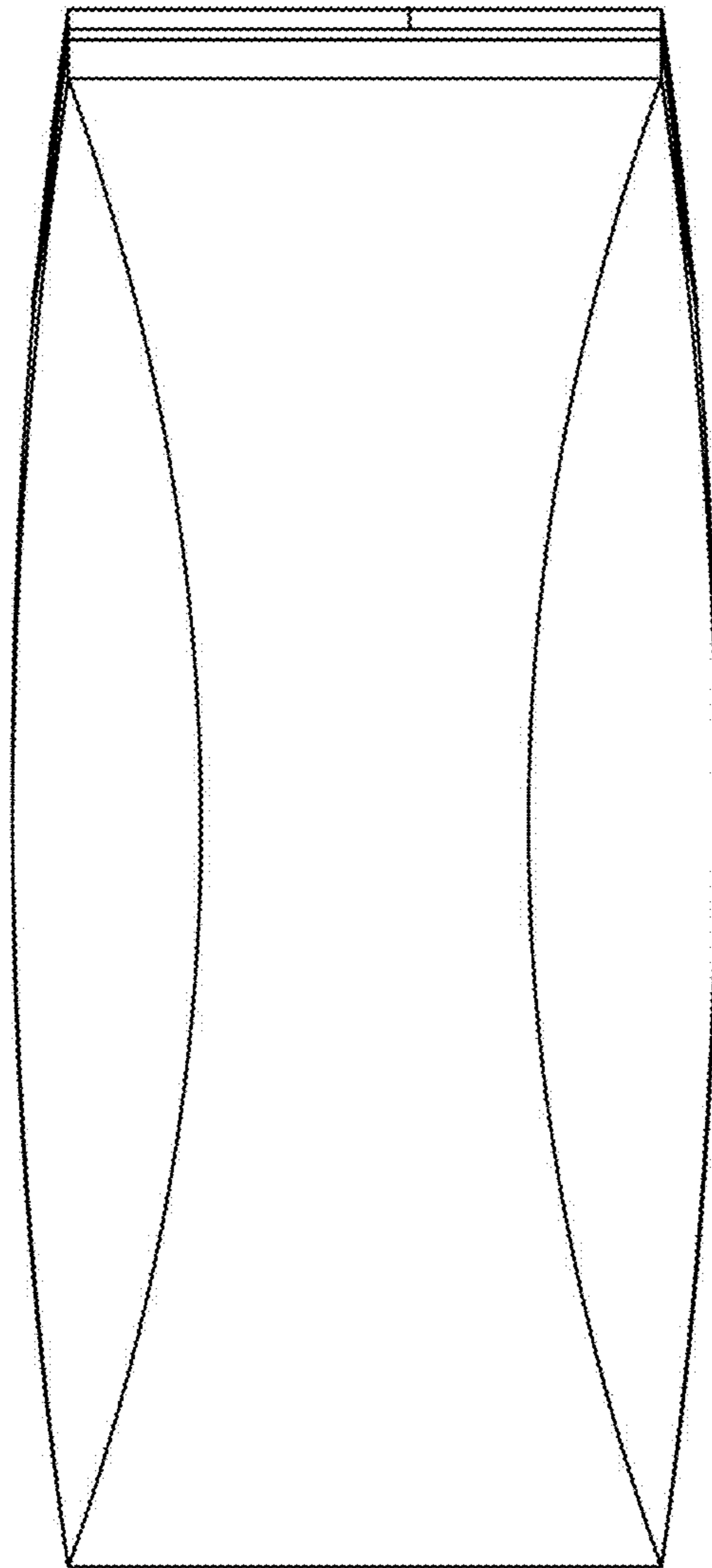


FIG. 4

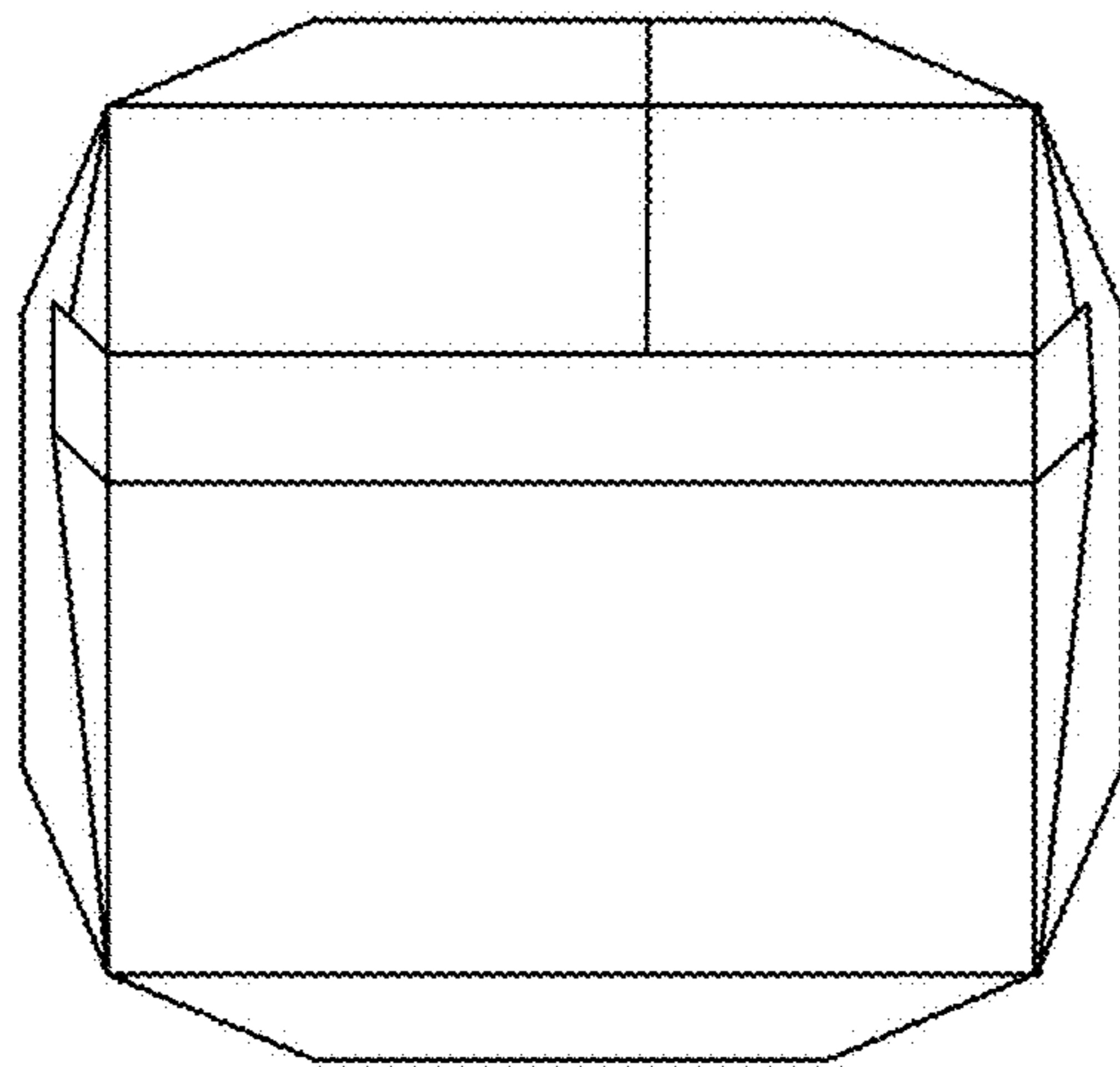


FIG. 5

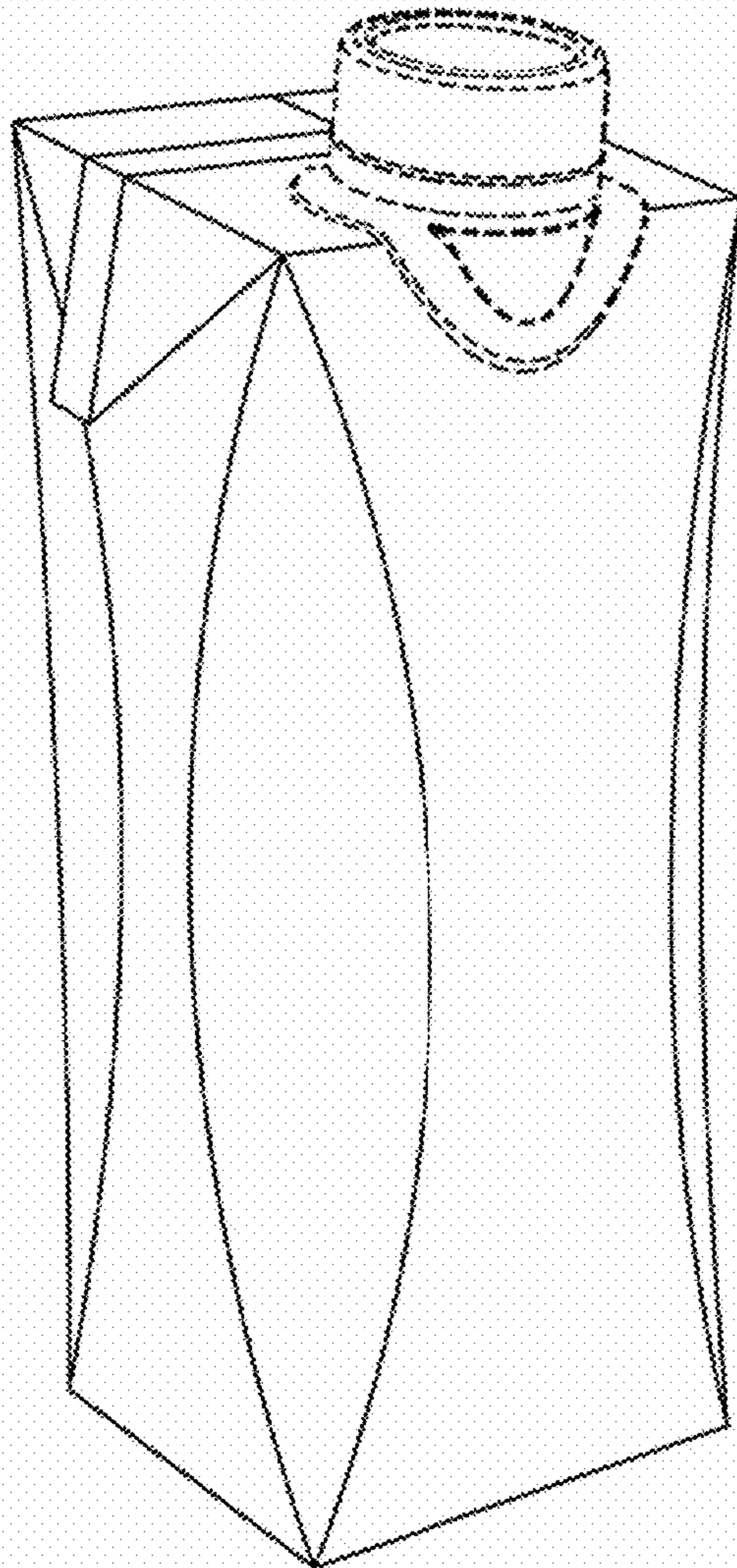


FIG. 6

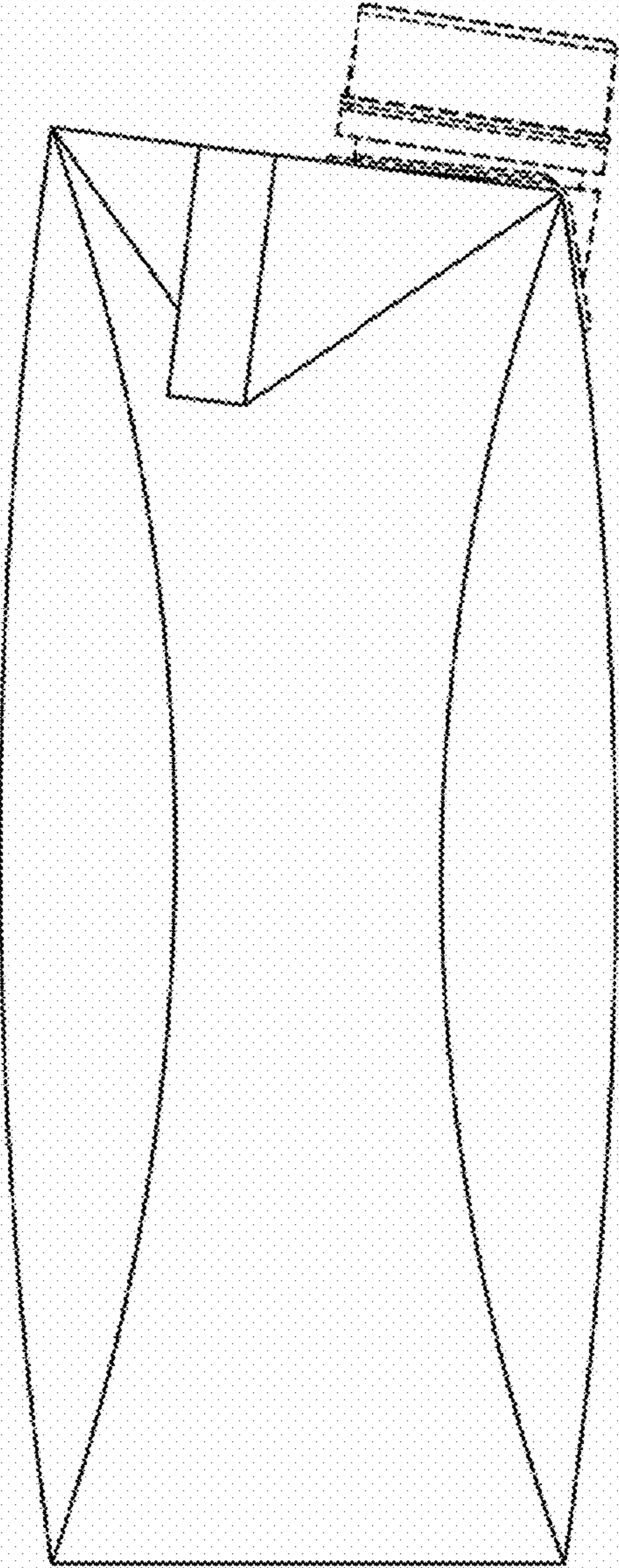


FIG. 7

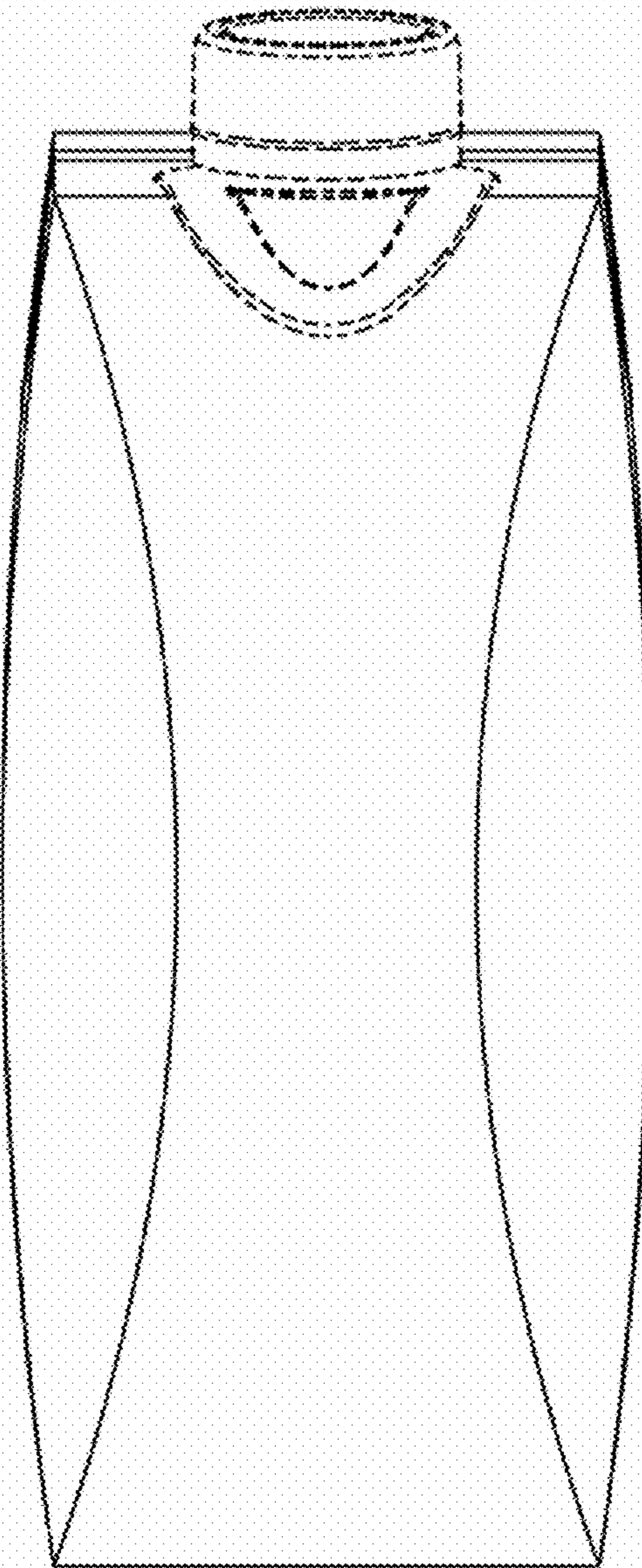


FIG. 8

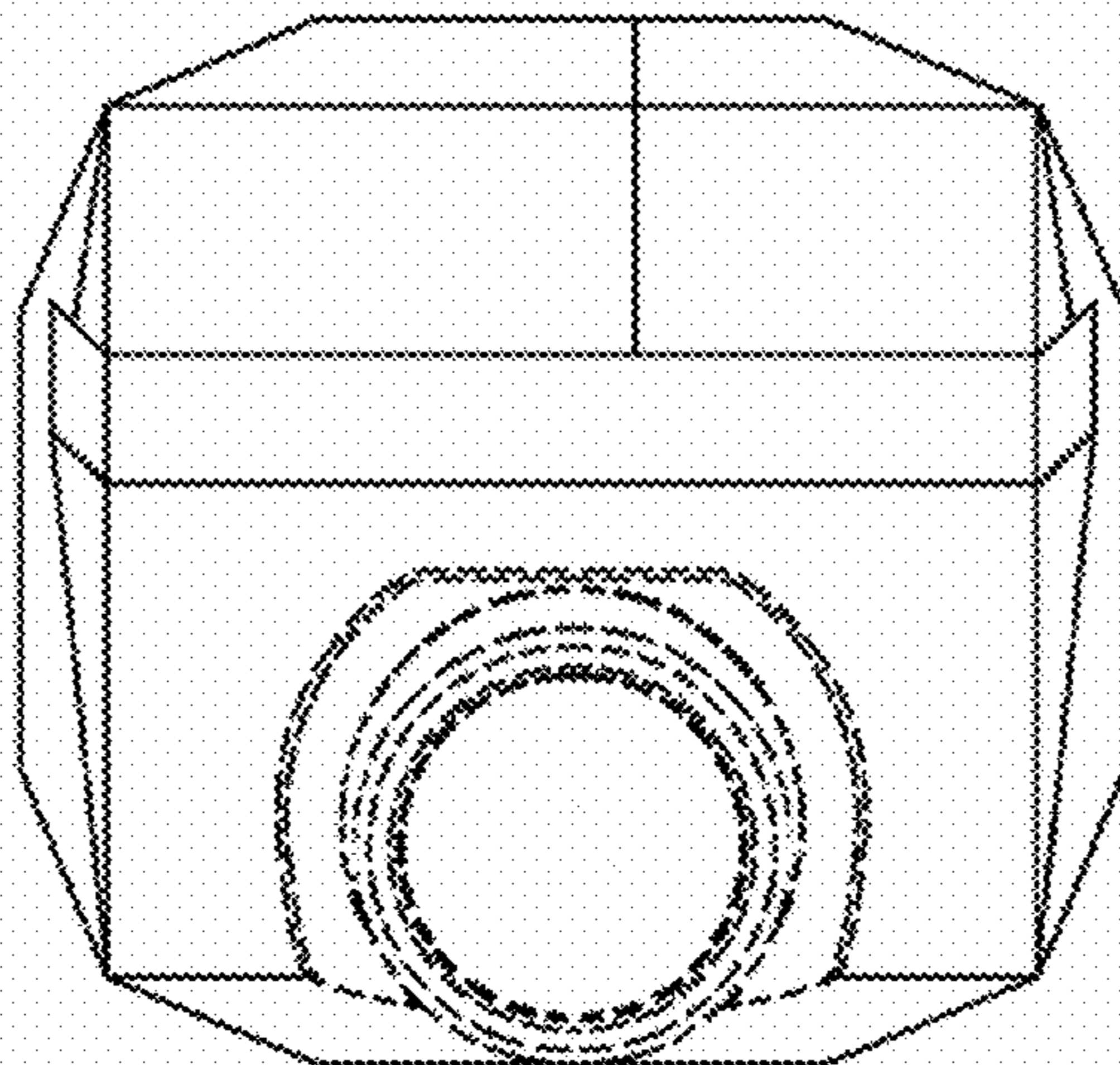


FIG. 9

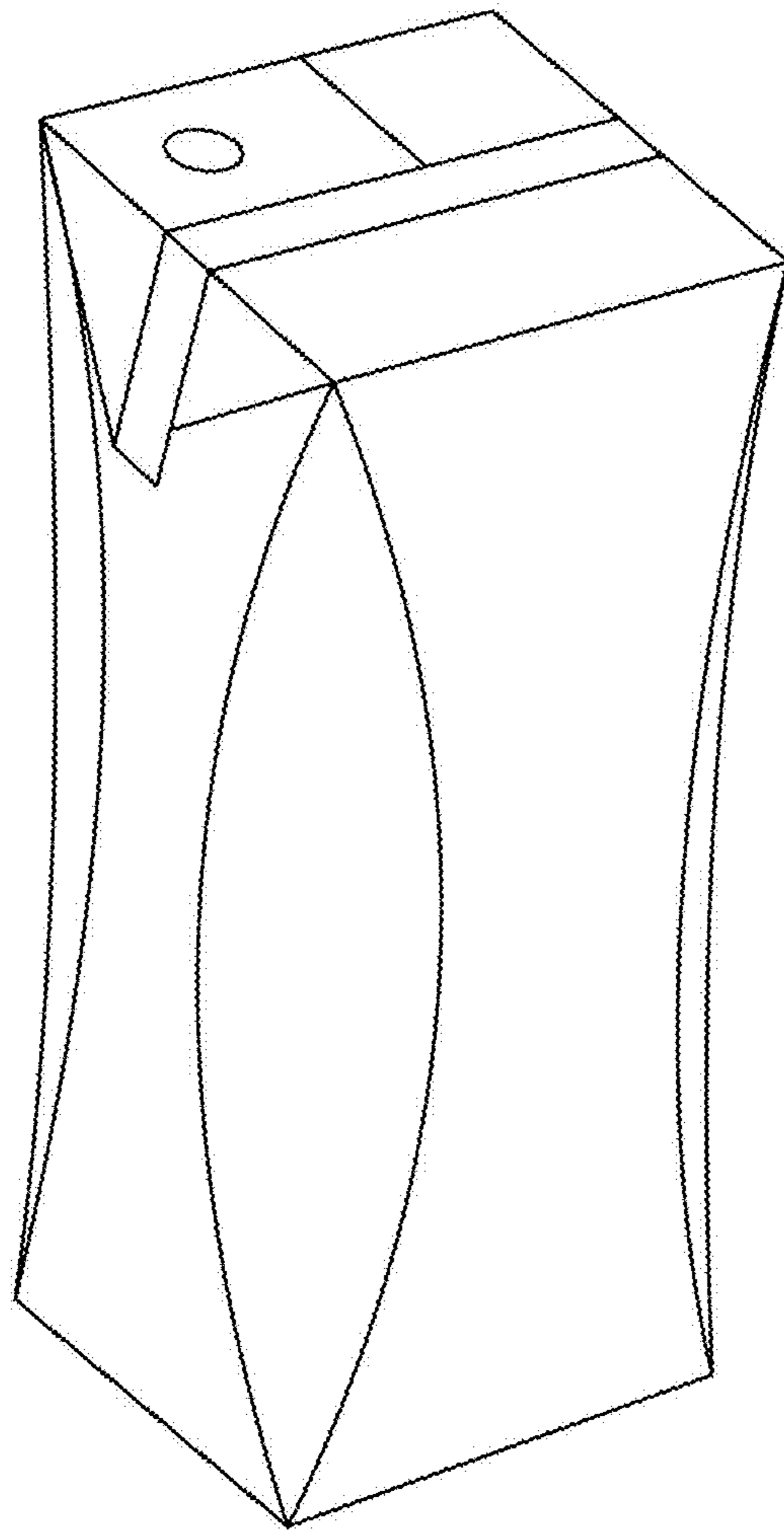


FIG. 10

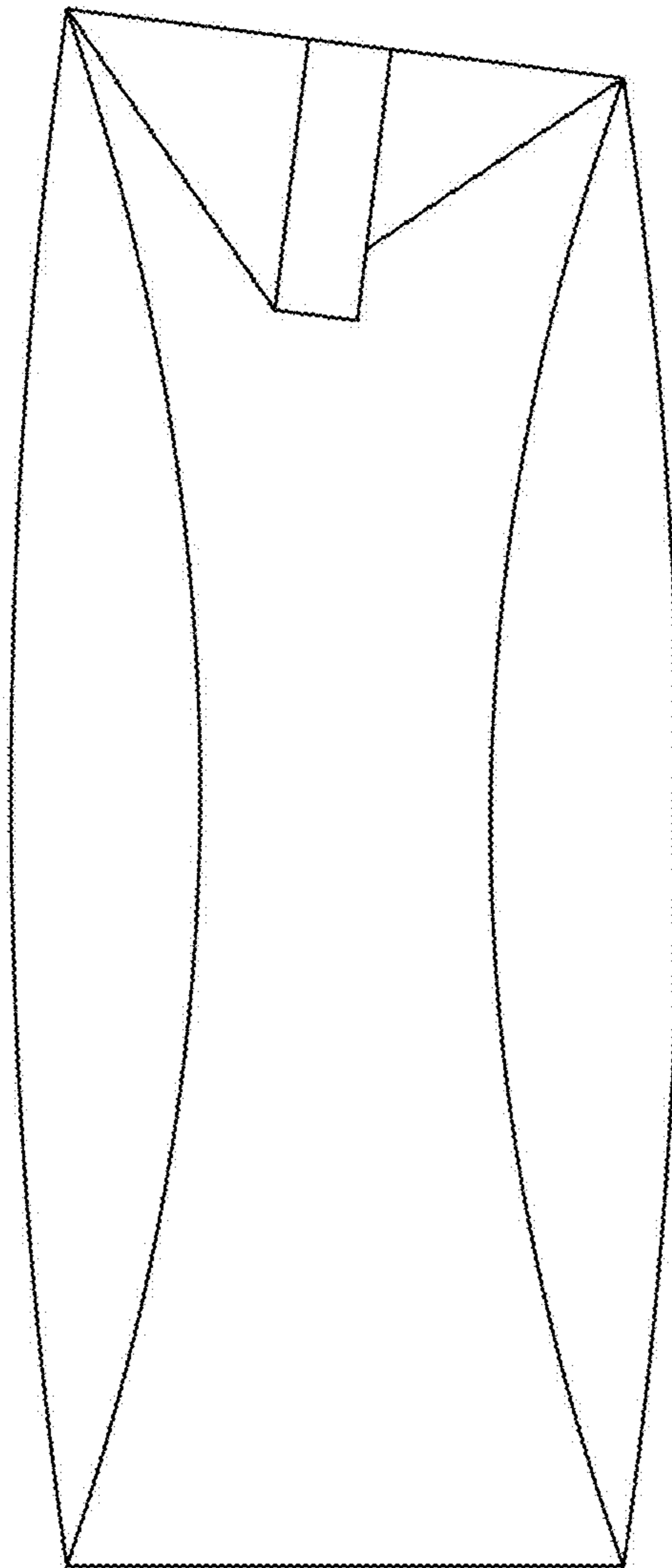


FIG. 11

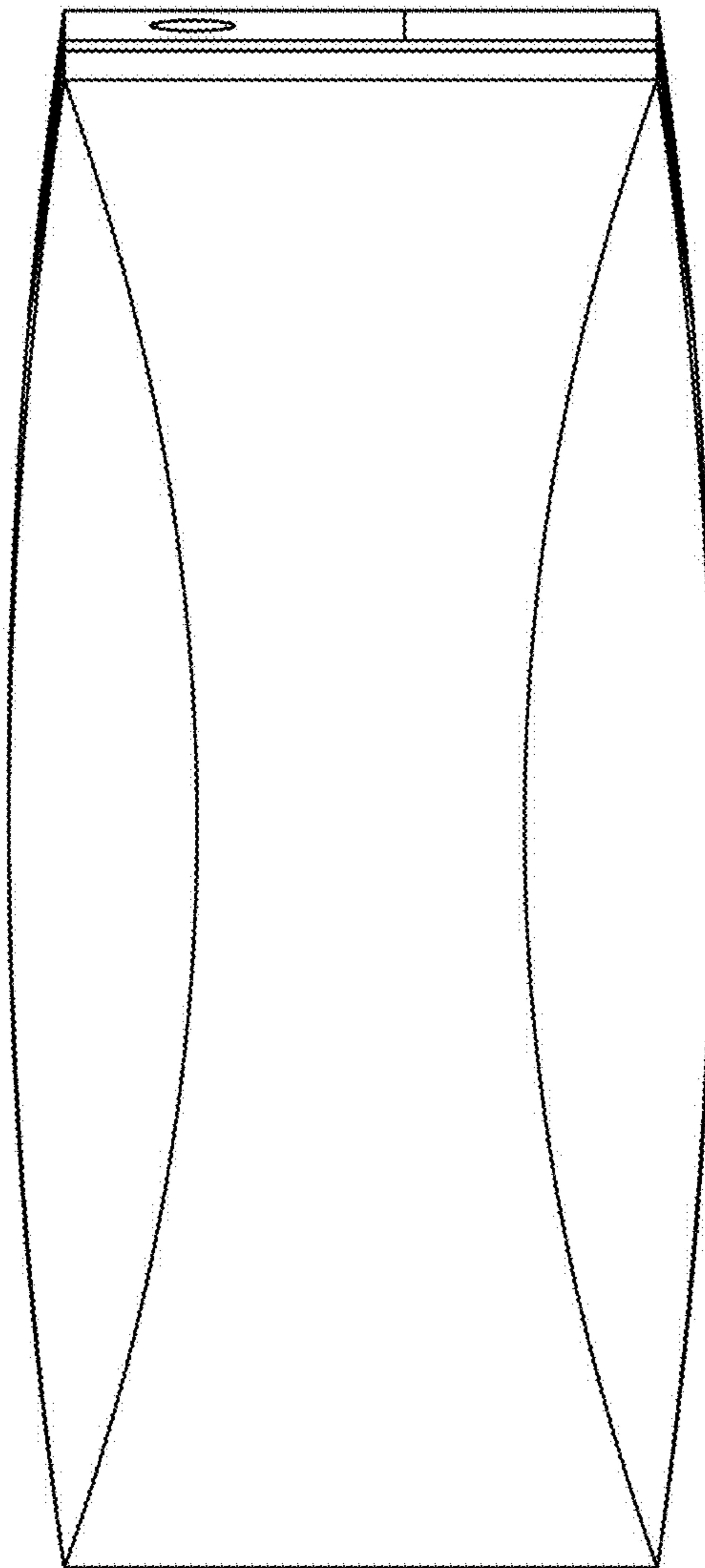


FIG. 12

