



US00D721575S

(12) **United States Design Patent**  
**Paboojian**

(10) **Patent No.:** **US D721,575 S**  
(45) **Date of Patent:** **\*\* Jan. 27, 2015**

(54) **CARTON**

(71) Applicant: **Novartis AG**, Basel (CH)

(72) Inventor: **Stephen Paboojian**, Basel (CH)

(73) Assignee: **Novartis AG**, Basel (CH)

(\*\*) Term: **14 Years**

(21) Appl. No.: **29/446,352**

(22) Filed: **Mar. 20, 2013**

(30) **Foreign Application Priority Data**

Sep. 8, 2012 (GB) ..... 4026249

(51) **LOC (10) Cl.** ..... **09-03**

(52) **U.S. Cl.**  
USPC ..... **D9/423**

(58) **Field of Classification Search**  
USPC ..... D9/415, 420-424, 432, 433, 501, 682,  
D9/715, 719, 904; 229/120.02, 103.2, 104  
See application file for complete search history.

(56) **References Cited**

**U.S. PATENT DOCUMENTS**

D345,101 S \* 3/1994 Abrams ..... D9/423  
7,093,595 B2 \* 8/2006 Nesbitt ..... 128/203.15  
D580,754 S \* 11/2008 An ..... D9/433  
D587,998 S \* 3/2009 Kaisanlahti et al. .... D9/433

D606,855 S \* 12/2009 Jo et al. .... D9/423  
D606,857 S \* 12/2009 Stewart ..... D9/432  
D629,296 S \* 12/2010 De Muynck ..... D9/433  
D668,949 S \* 10/2012 Hipperson et al. .... D9/423  
8,453,919 B2 \* 6/2013 Eckermann et al. .... 229/117.13  
D685,654 S \* 7/2013 Akana et al. .... D9/737  
D687,295 S \* 8/2013 Park ..... D9/420  
2007/0199979 A1 \* 8/2007 Holley ..... 229/103.2

\* cited by examiner

*Primary Examiner* — Thomas Johannes

*Assistant Examiner* — Keith Frank

(74) *Attorney, Agent, or Firm* — Daniel Woods

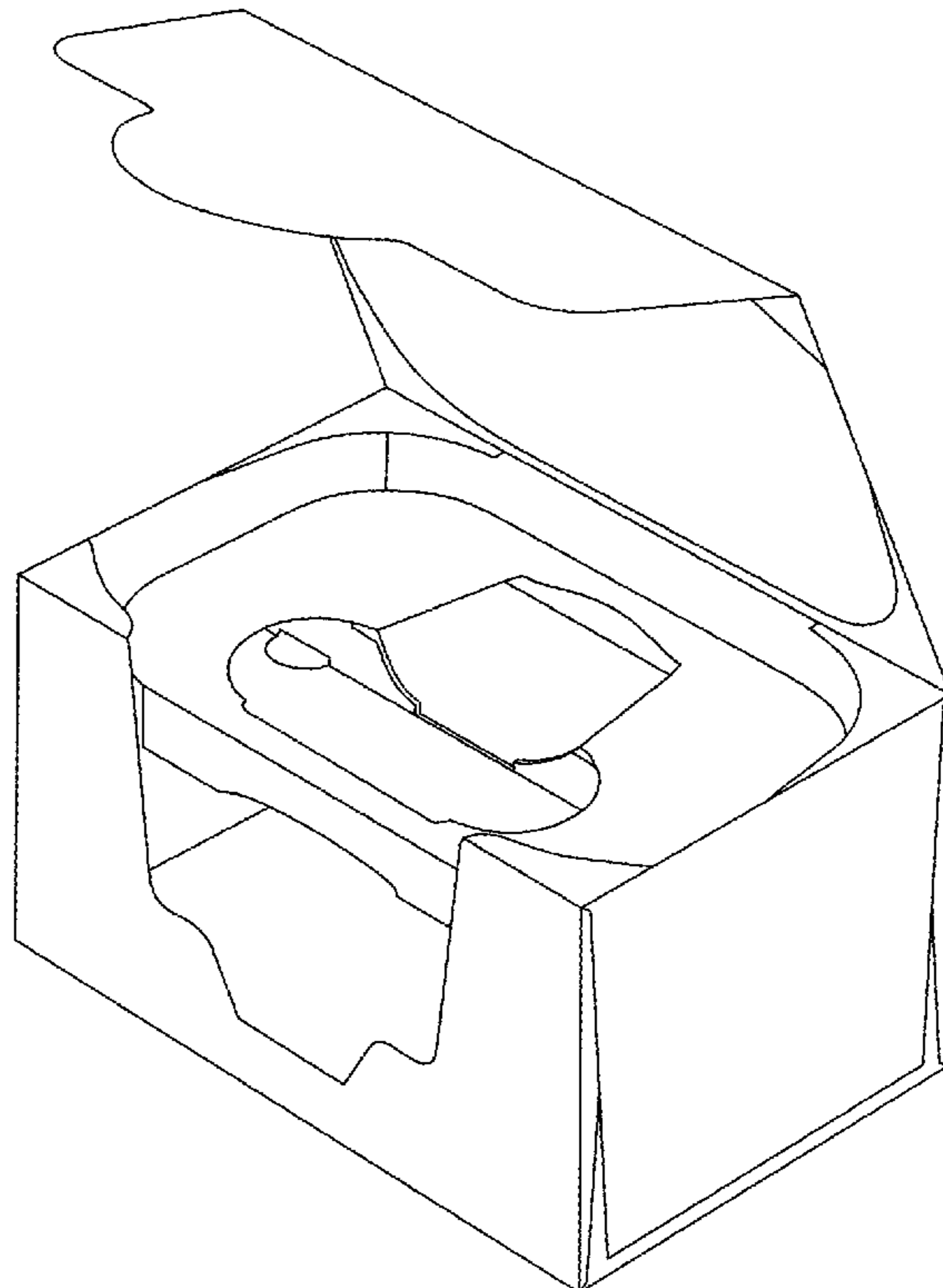
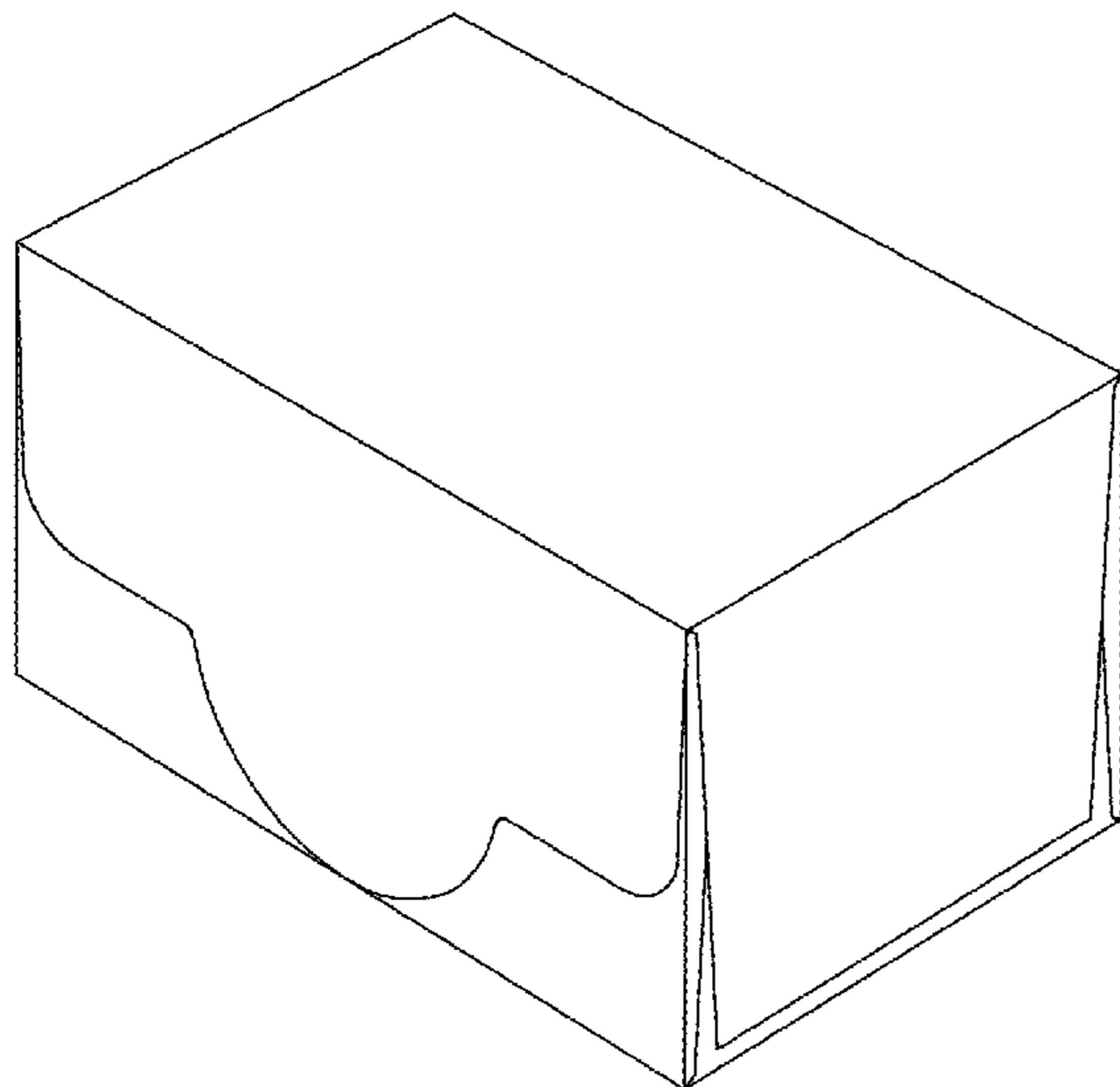
(57) **CLAIM**

The ornamental design of a carton, as shown and described.

**DESCRIPTION**

FIG. 1 is a front perspective view from the top and right side of a carton showing the design;  
FIG. 2 is a front view thereof;  
FIG. 3 is a back view thereof;  
FIG. 4 is a top view thereof;  
FIG. 5 is a bottom view thereof;  
FIG. 6 is a left-side view thereof;  
FIG. 7 is a right-side view thereof; and,  
FIG. 8 is a front perspective view thereof from top and right side in an open position.

**1 Claim, 5 Drawing Sheets**



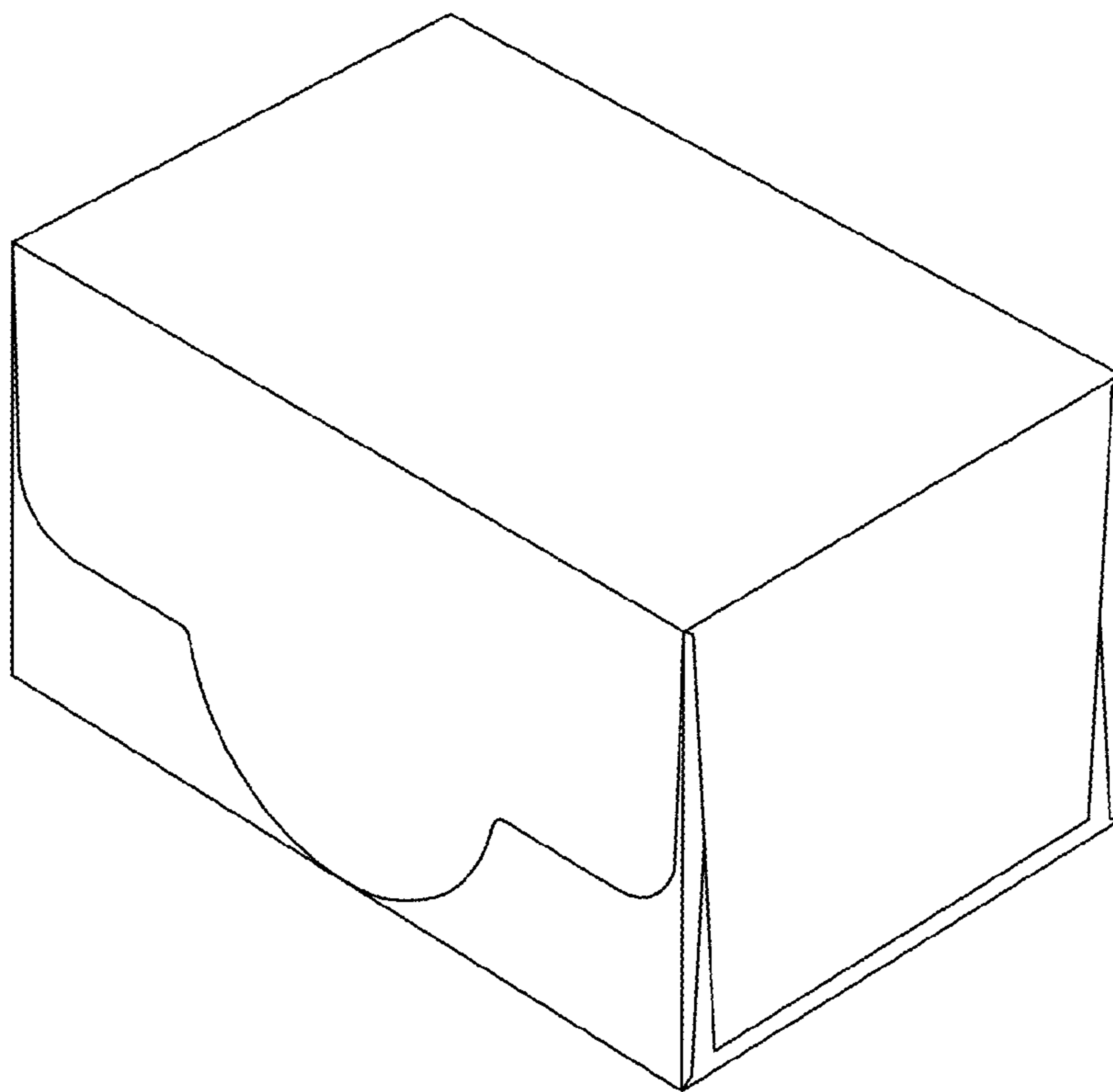


FIG. 1

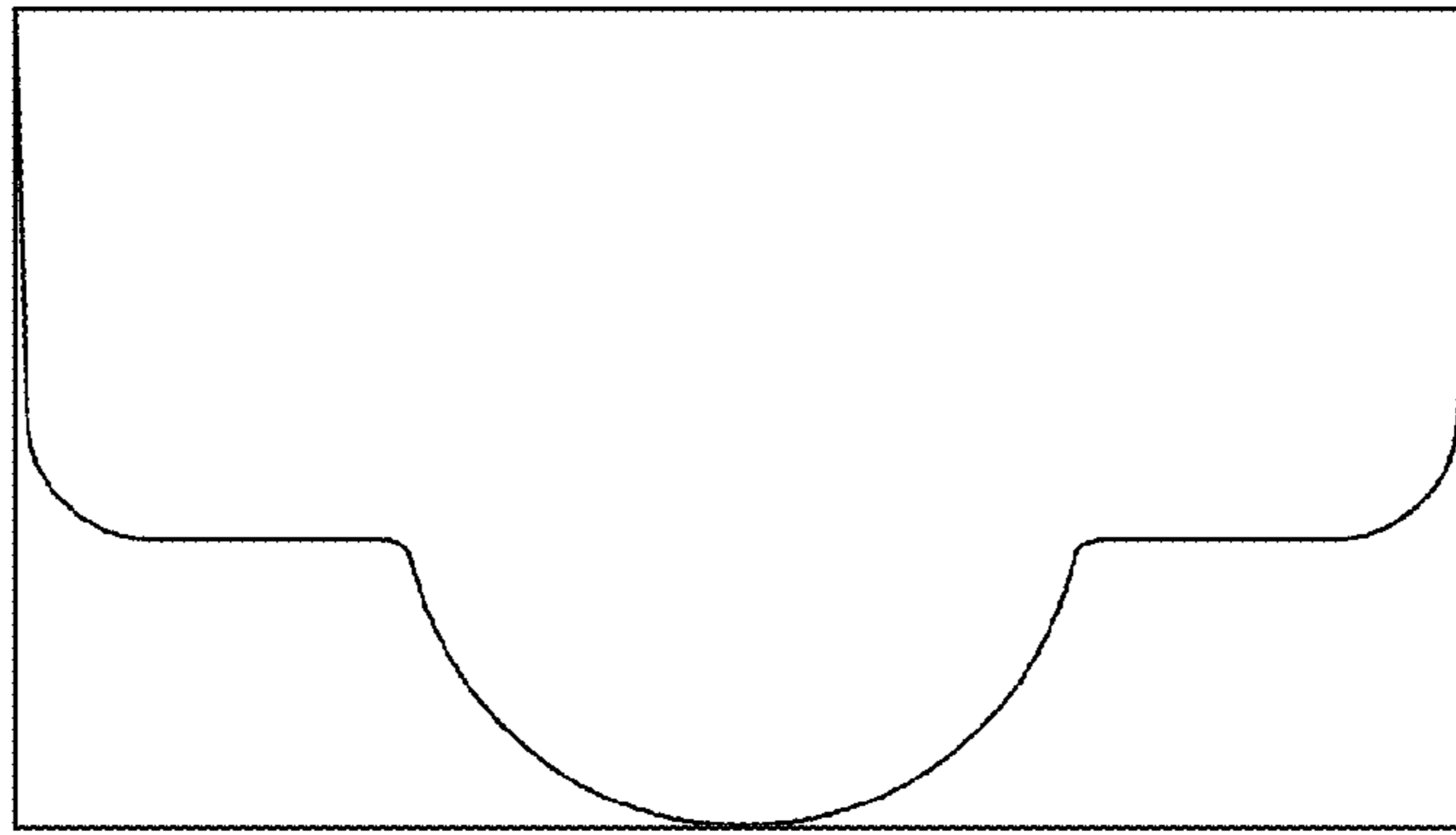


FIG. 2

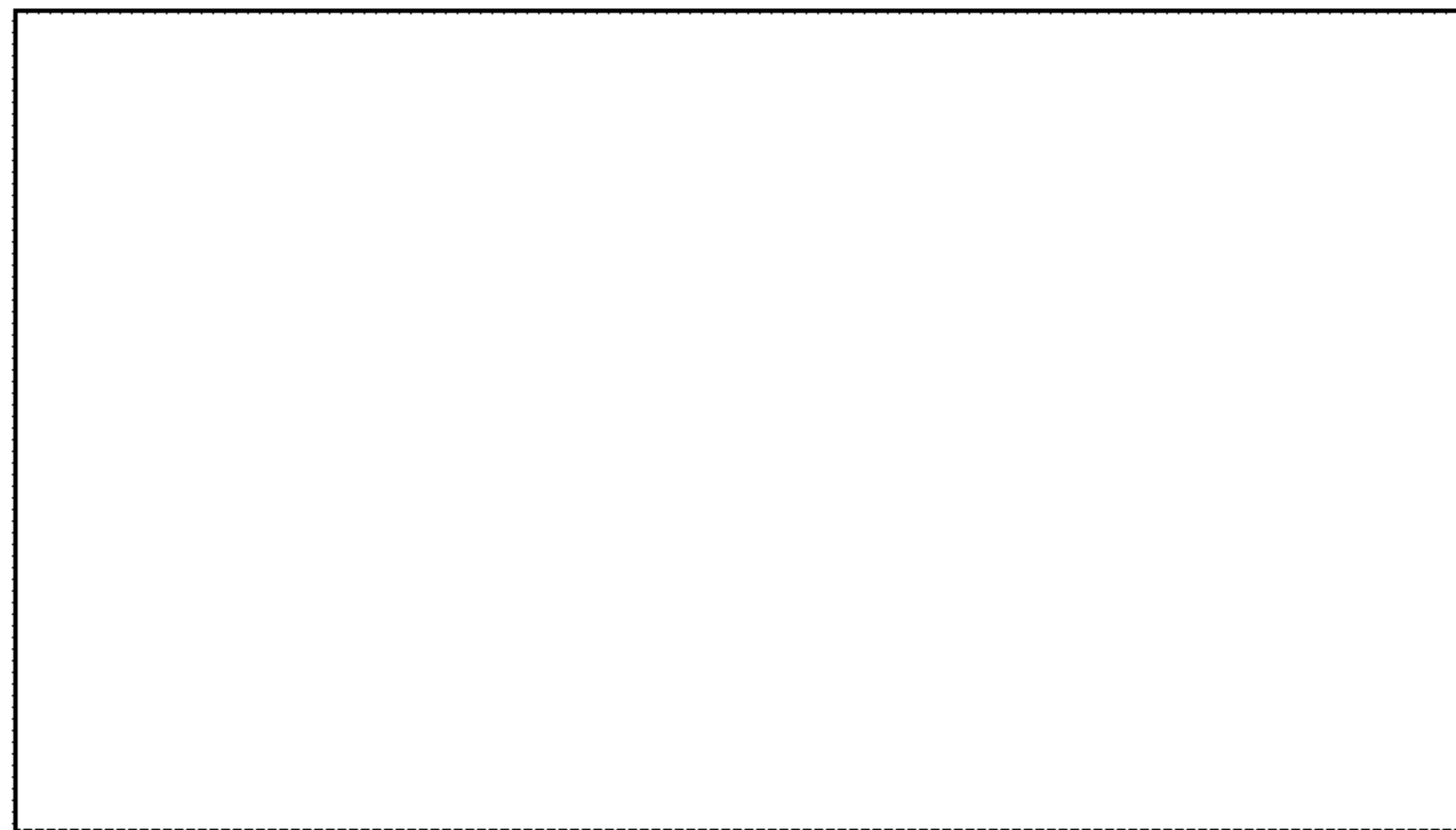
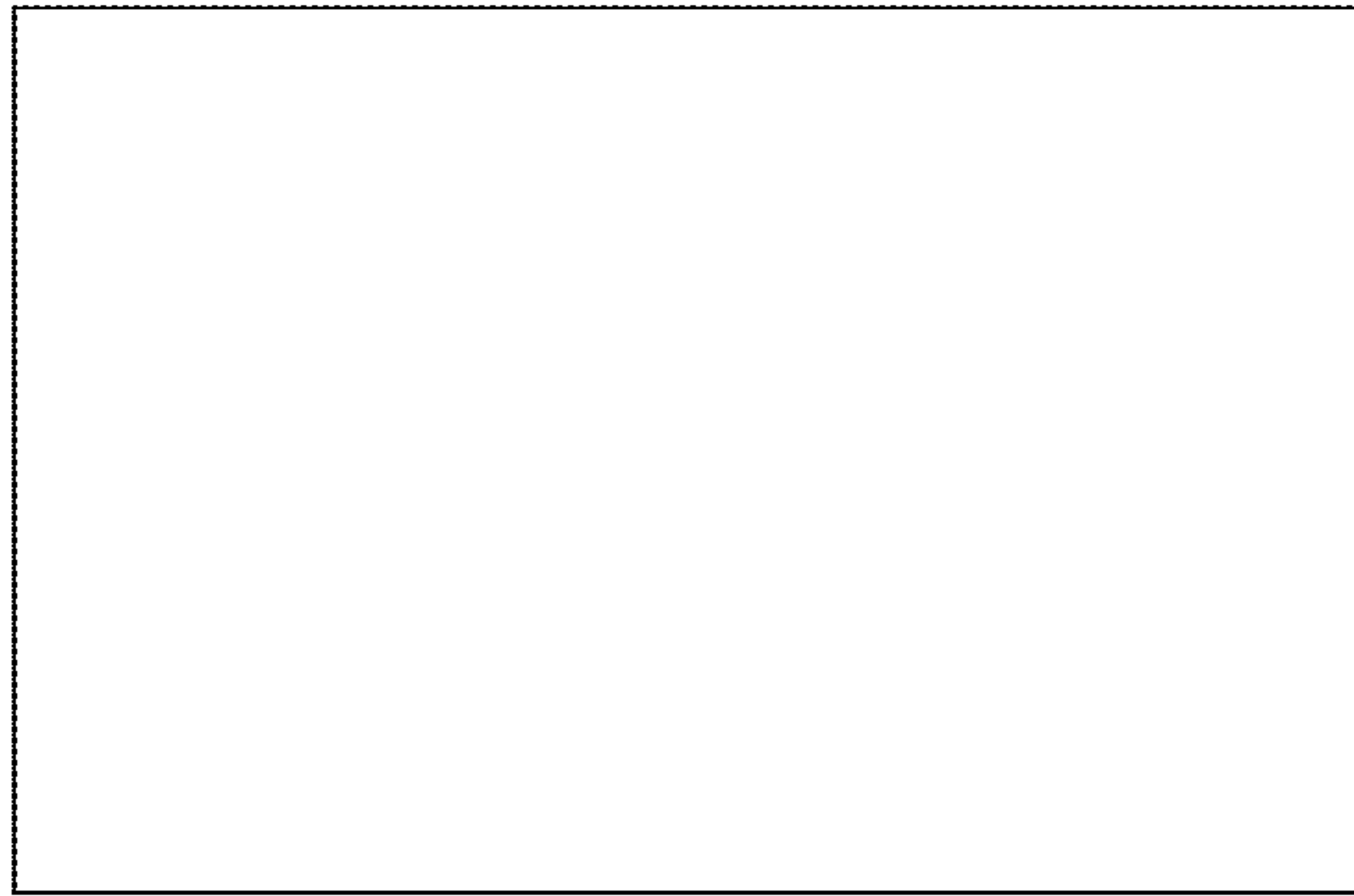


FIG. 3



**FIG. 4**



**FIG. 5**

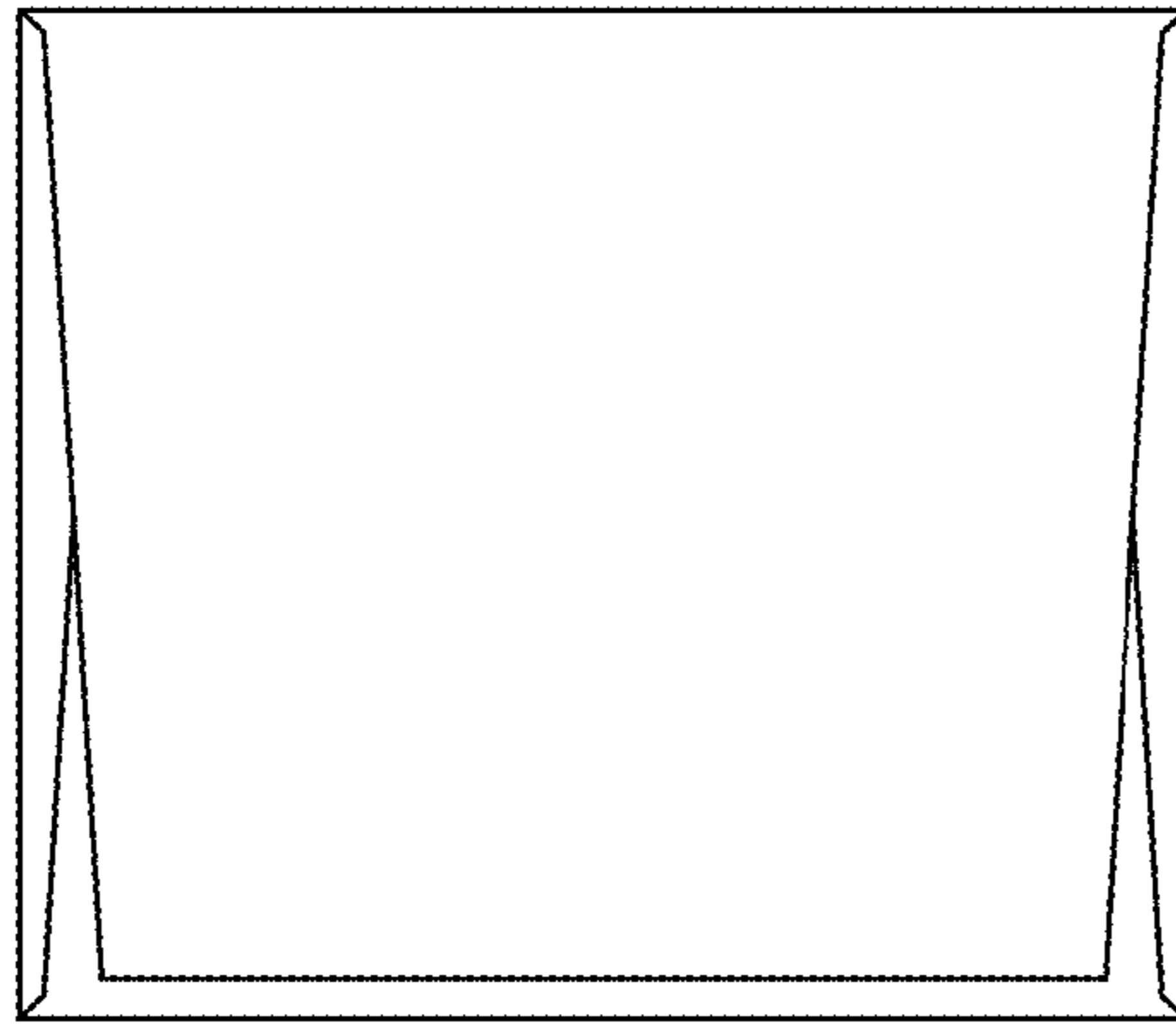


FIG. 6

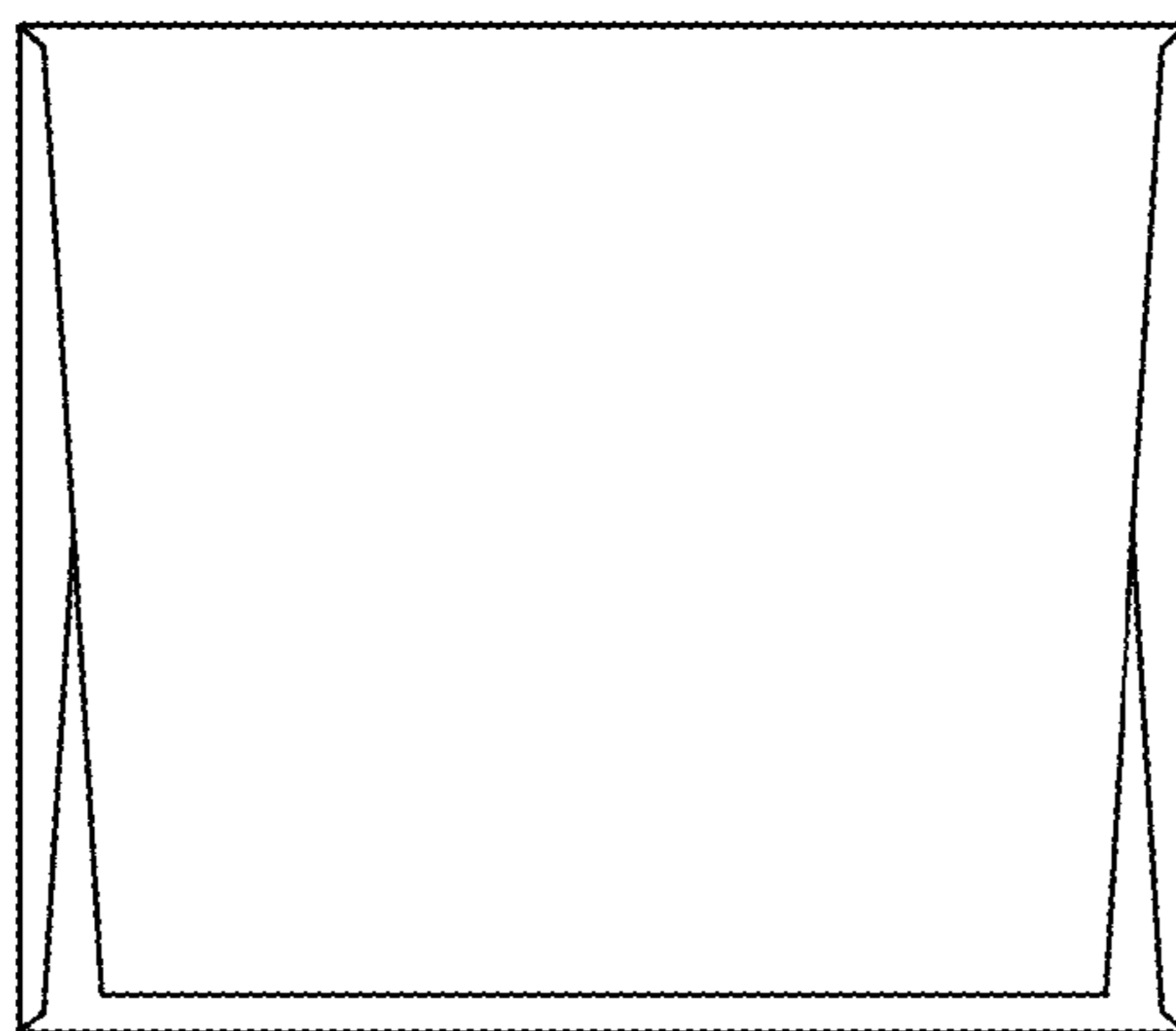


FIG. 7

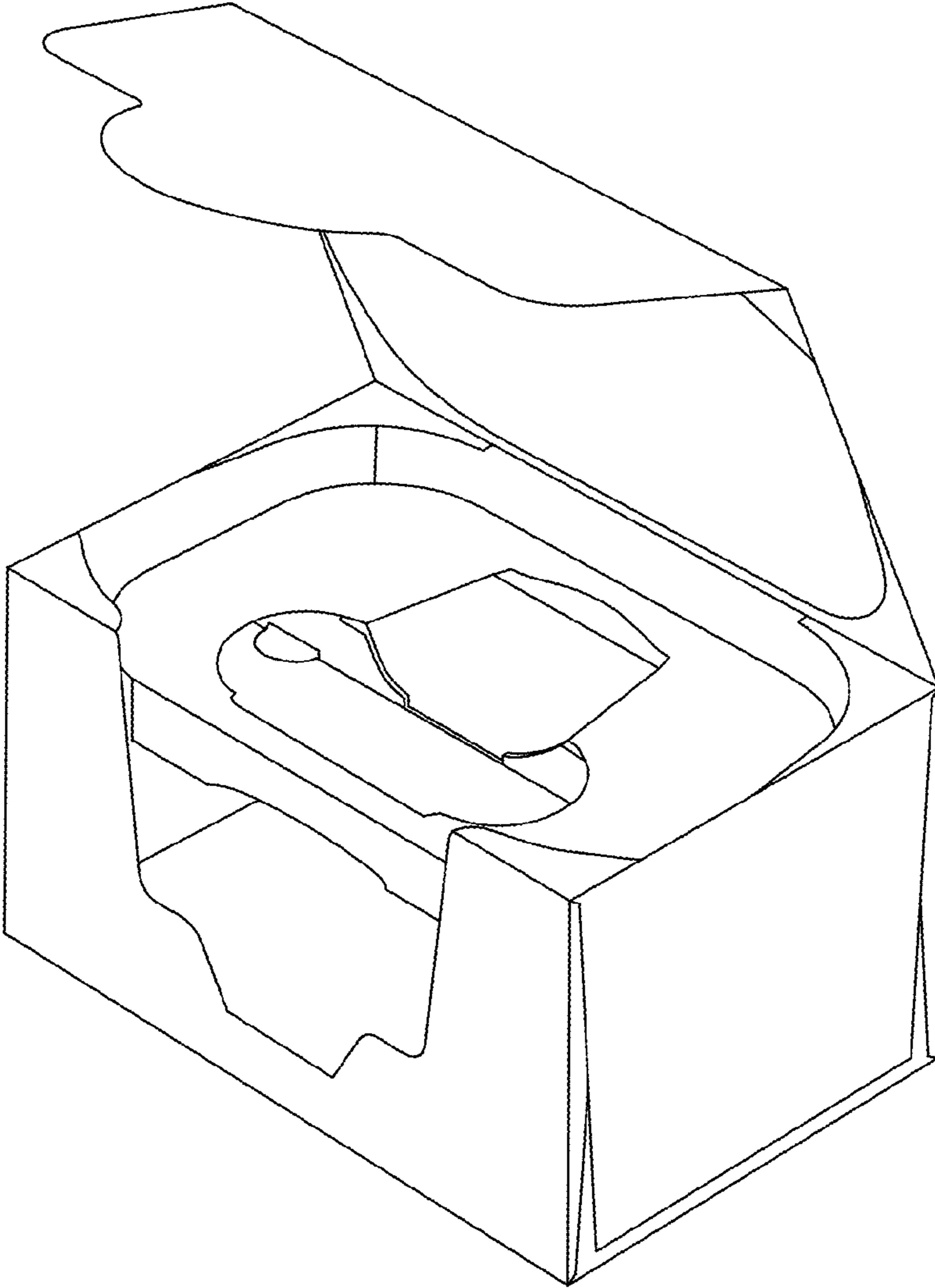


FIG.8