



US00D721574S

(12) **United States Design Patent**  
**Doughty**

(10) **Patent No.:** **US D721,574 S**  
(45) **Date of Patent:** **\*\* Jan. 27, 2015**

- (54) **TILT WINDOW OPENING AID**
- (71) Applicant: **Patrick M. Doughty**, Scarsdale, NY (US)
- (72) Inventor: **Patrick M. Doughty**, Scarsdale, NY (US)
- (\*\*) Term: **14 Years**
- (21) Appl. No.: **29/472,408**
- (22) Filed: **Nov. 12, 2013**

**Related U.S. Application Data**

- (63) Continuation of application No. 13/277,581, filed on Oct. 20, 2011, now abandoned.
- (51) **LOC (10) Cl.** ..... **08-09**
- (52) **U.S. Cl.**  
USPC ..... **D8/400**
- (58) **Field of Classification Search**  
CPC . E05F 5/06; E05Y 2900/531; E05Y 2201/21; E05C 17/203; E05C 17/36  
USPC ..... D8/395, 400-404, 499, 391, 393, 388, D8/360, 376, 356; D9/434, 456, 614, 623, D9/628, 640, 673; 160/181; 248/200.1, 248/354.1, 354.3; 211/105; 16/71, 72, 74, 16/85, 86 R; 292/343, 342, 288  
See application file for complete search history.

**References Cited**

**U.S. PATENT DOCUMENTS**

856,316 A	6/1907	Thurston	
1,548,053 A	8/1925	Mead	
2,974,806 A	3/1961	Seewack	
3,920,220 A	11/1975	Elias	
D262,278 S *	12/1981	Van Santen	..... D34/31
5,056,753 A	10/1991	Lunau et al.	
5,330,061 A	7/1994	Geltz	
5,345,624 A	9/1994	Brown, III	

5,758,854 A *	6/1998	Shih	..... 248/354.3
D402,537 S *	12/1998	Lorenzana	..... D8/355
D425,402 S *	5/2000	Welborn et al.	..... D8/354
6,694,543 B2	2/2004	Moore	
6,938,302 B2 *	9/2005	Lin	..... 16/72
7,165,361 B2 *	1/2007	Vanagan	..... 52/126.6
D549,085 S *	8/2007	Mevisen et al.	..... D8/376
D644,094 S *	8/2011	Togami	..... D8/391
D663,306 S *	7/2012	Barbieri	..... D14/452
2002/0139910 A1 *	10/2002	Shih	..... 248/200.1
2006/0207057 A1 *	9/2006	Migli	..... 16/85

\* cited by examiner

*Primary Examiner* — Barbara Fox

*Assistant Examiner* — Chelsea Sealey

(74) *Attorney, Agent, or Firm* — Robert C. Montgomery; Montgomery Patent & Design

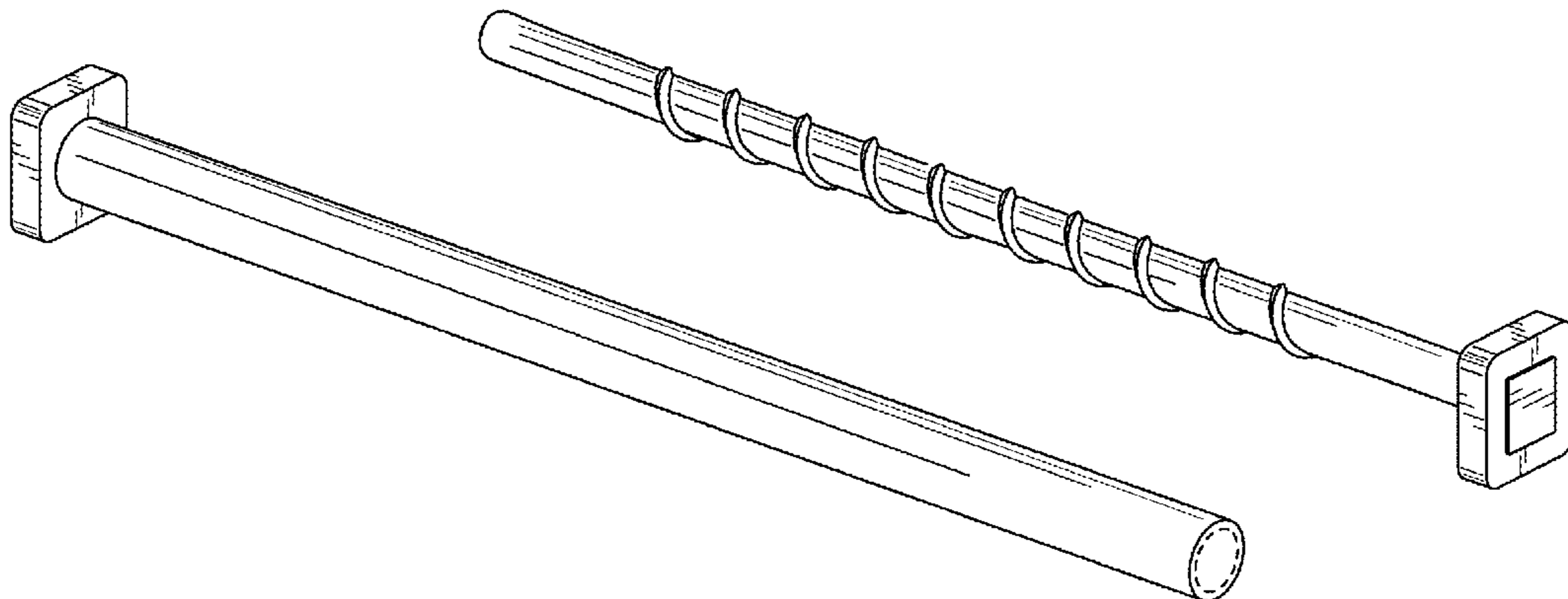
(57) **CLAIM**

The ornamental design for a tilt window opening aid, as shown and described.

**DESCRIPTION**

FIG. 1 is an isometric top view of a tilt window opening aid showing an inserting portion and a receiving portion in juxtaposition, wherein the broken lines represent bounds of the design and form no part of the design;  
 FIG. 2 is an isometric bottom view of FIG. 1;  
 FIG. 3 is a front view FIG. 1;  
 FIG. 4 is a rear view FIG. 1;  
 FIG. 5 is an enlarged left-hand side view of FIG. 1;  
 FIG. 6 is an enlarged right-hand side view of FIG. 1;  
 FIG. 7 is a top view of FIG. 1;  
 FIG. 8 is a bottom view of FIG. 1; and,  
 FIG. 9 is a perspective view of the tilt window opening aid showing the receiving portion receiving the inserting portion for illustration.  
 The broken lines shown in the drawings illustrate the bounds of the design and form no part of the claimed design.

**1 Claim, 9 Drawing Sheets**



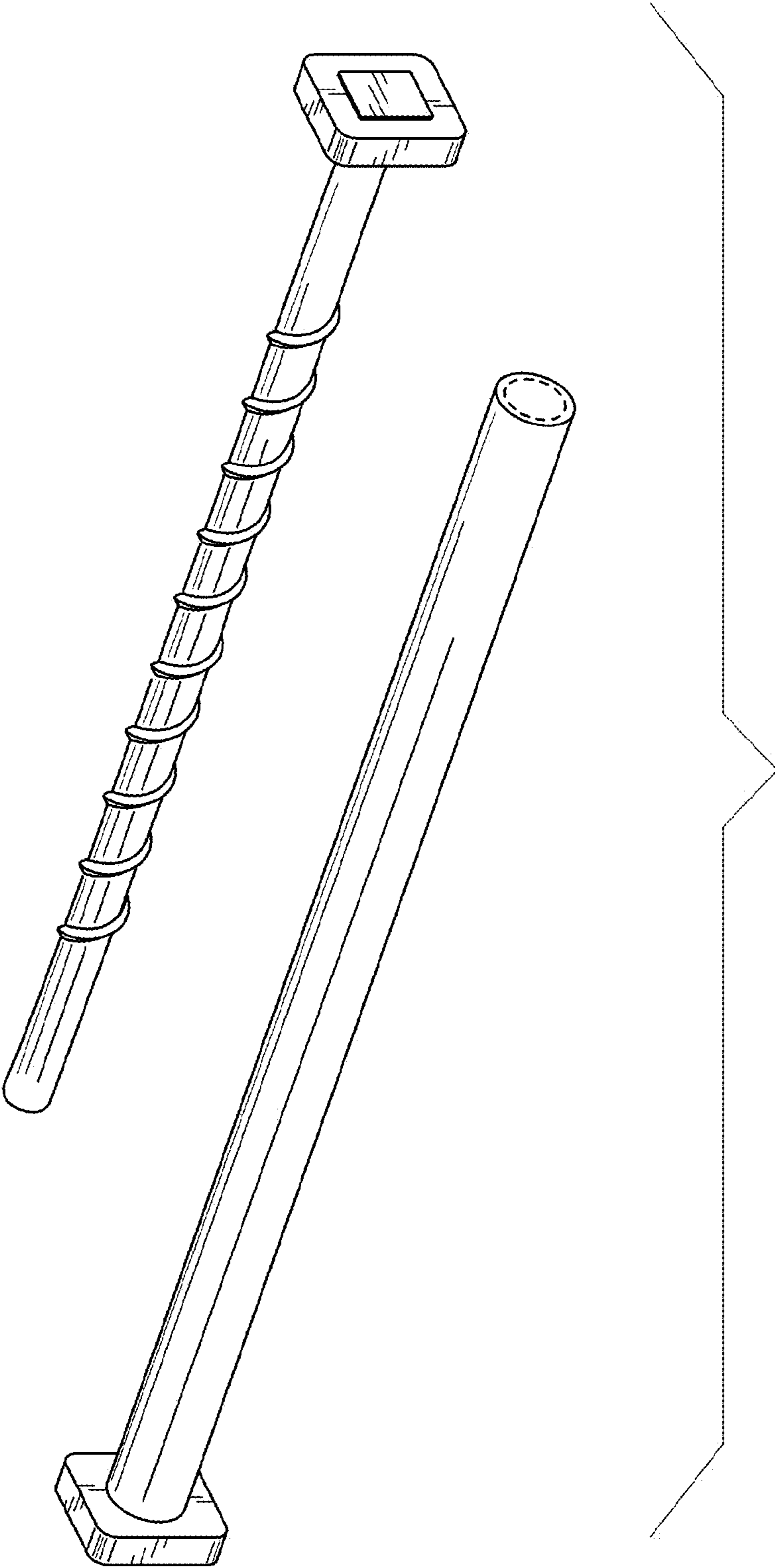


Fig. 1

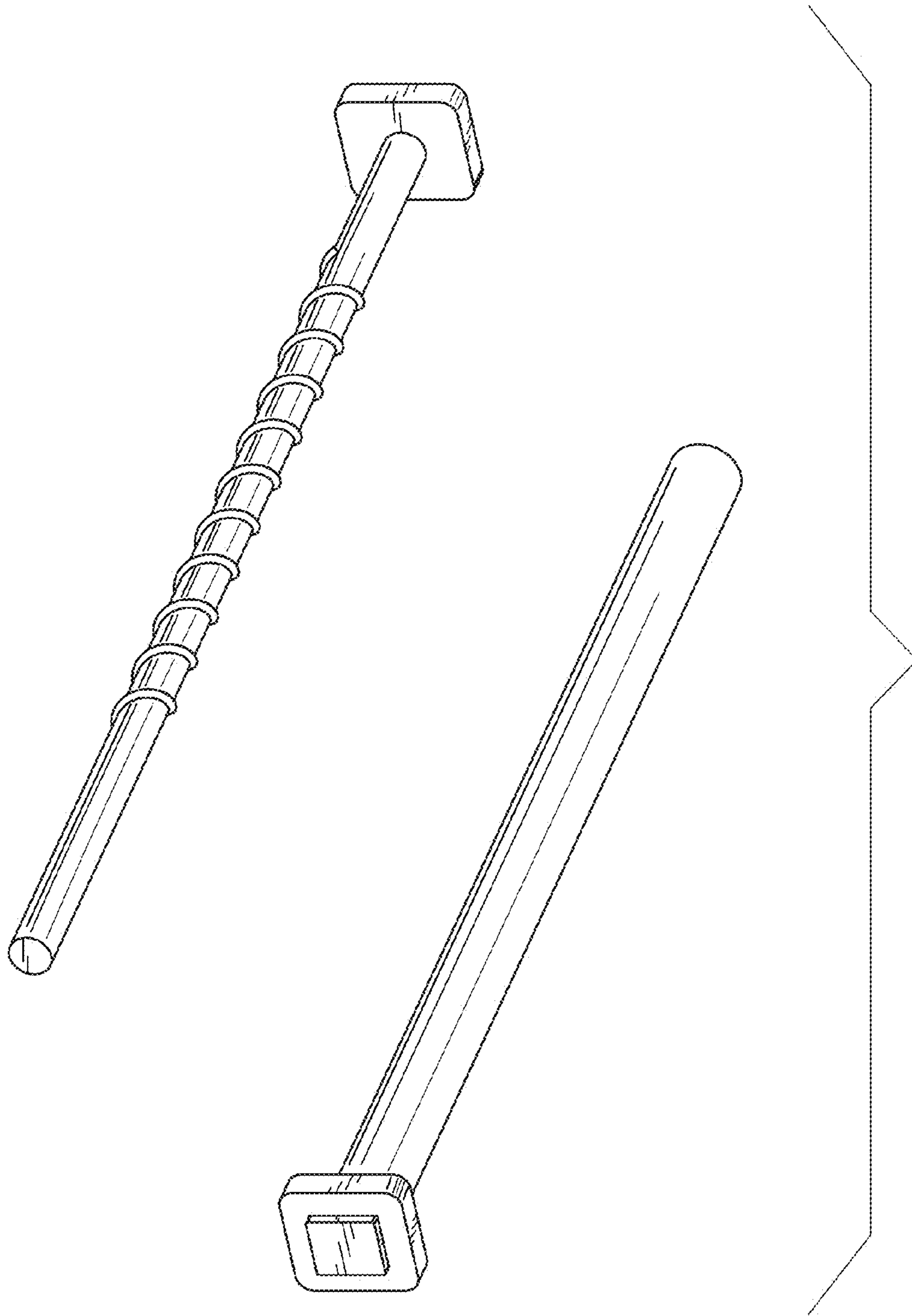


Fig. 2

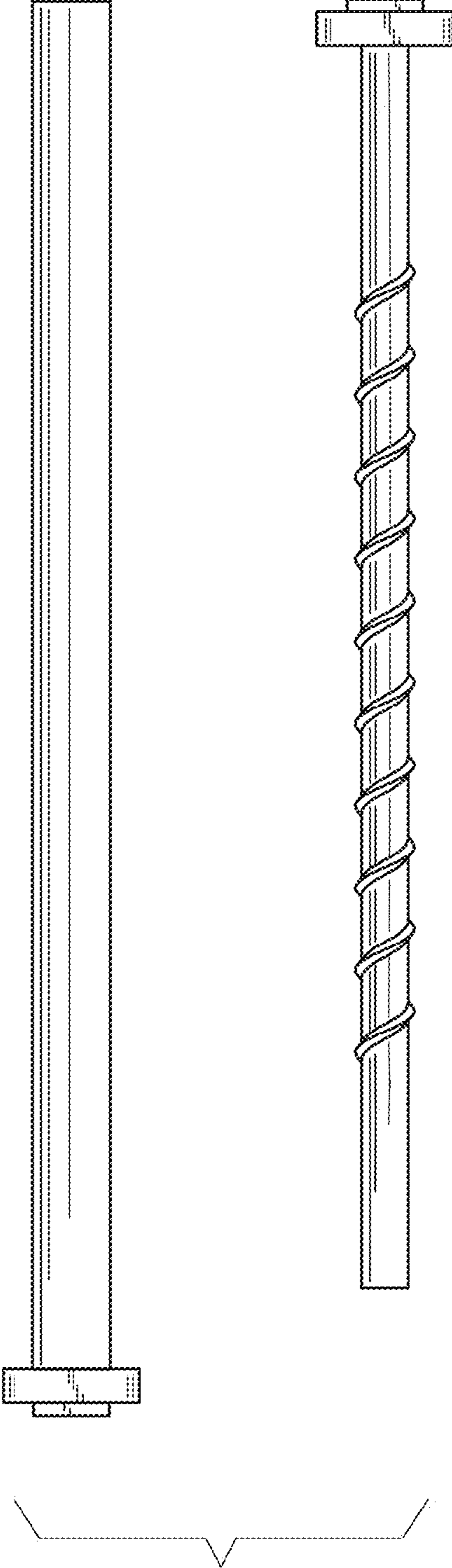


Fig. 3

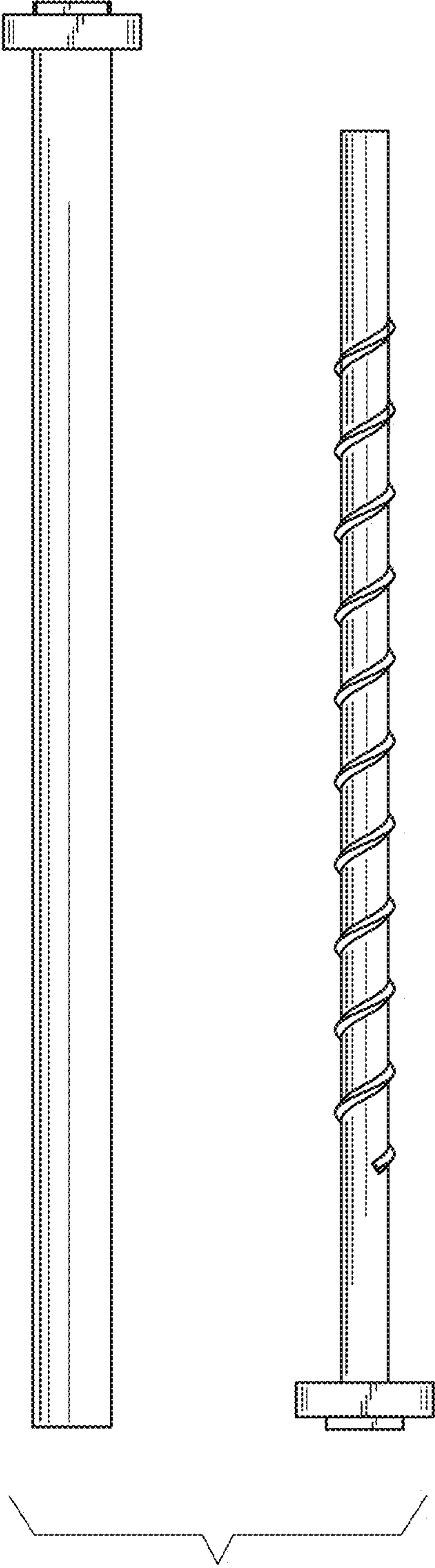


Fig. 4

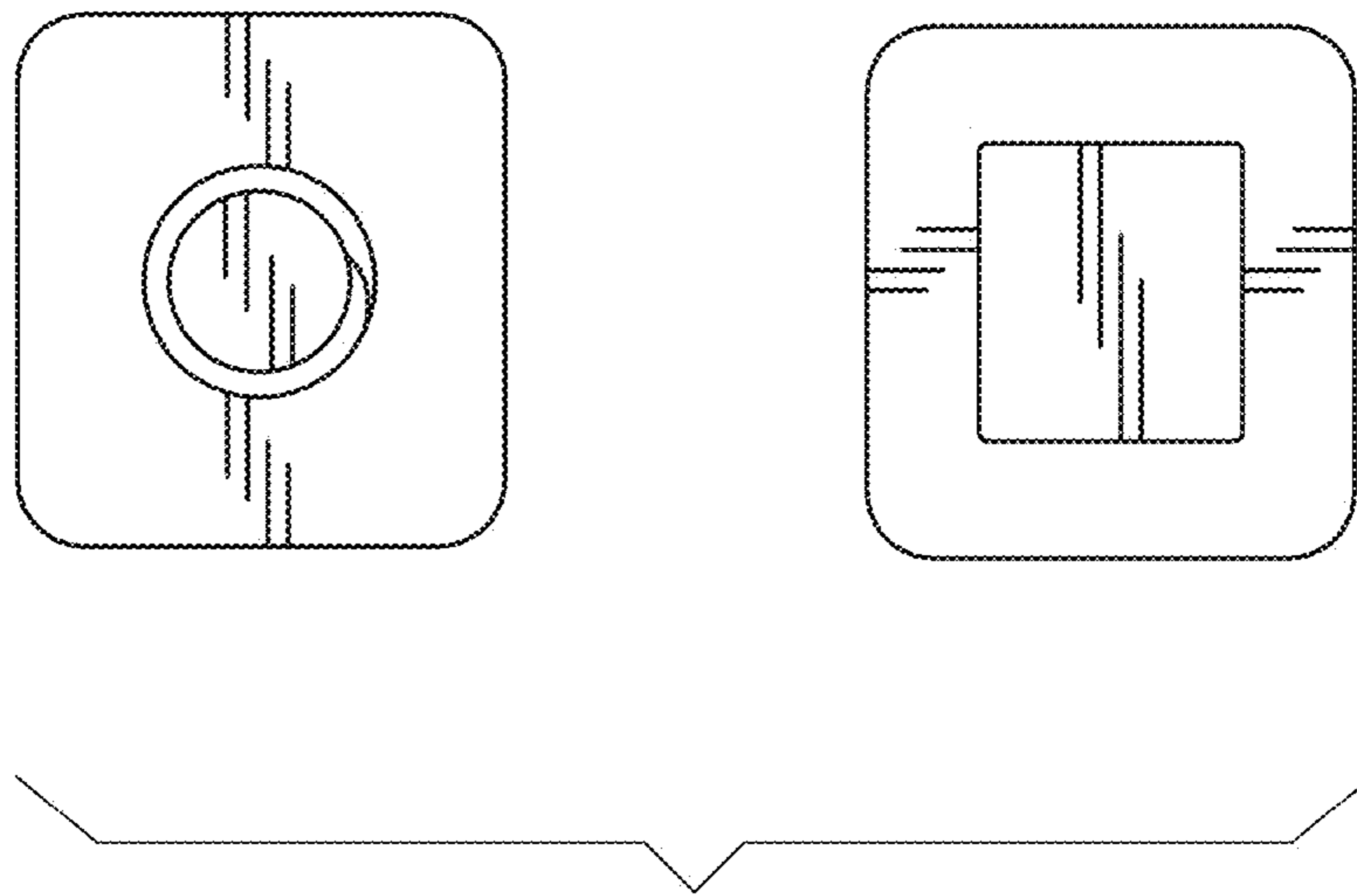


Fig. 5

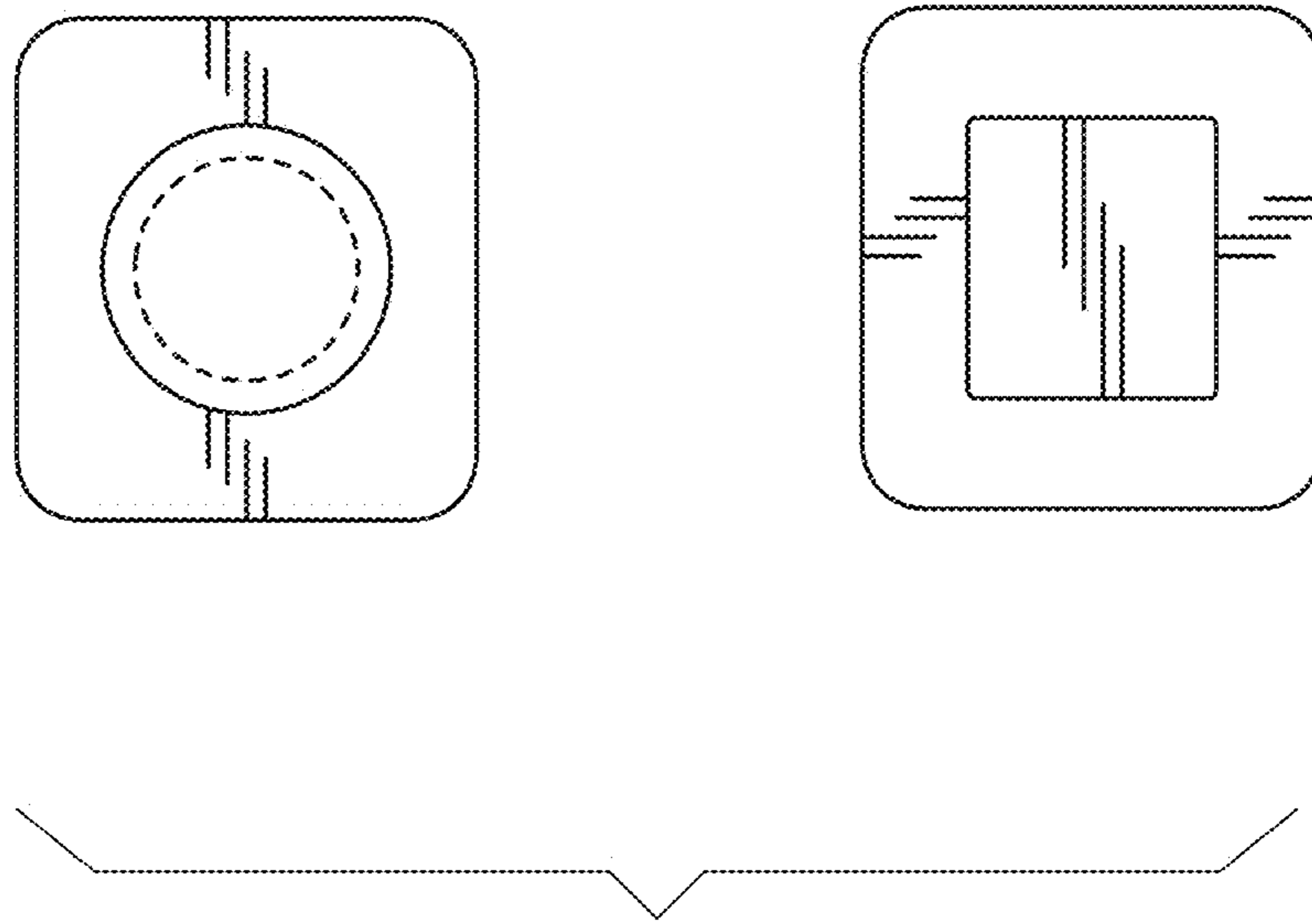


Fig. 6

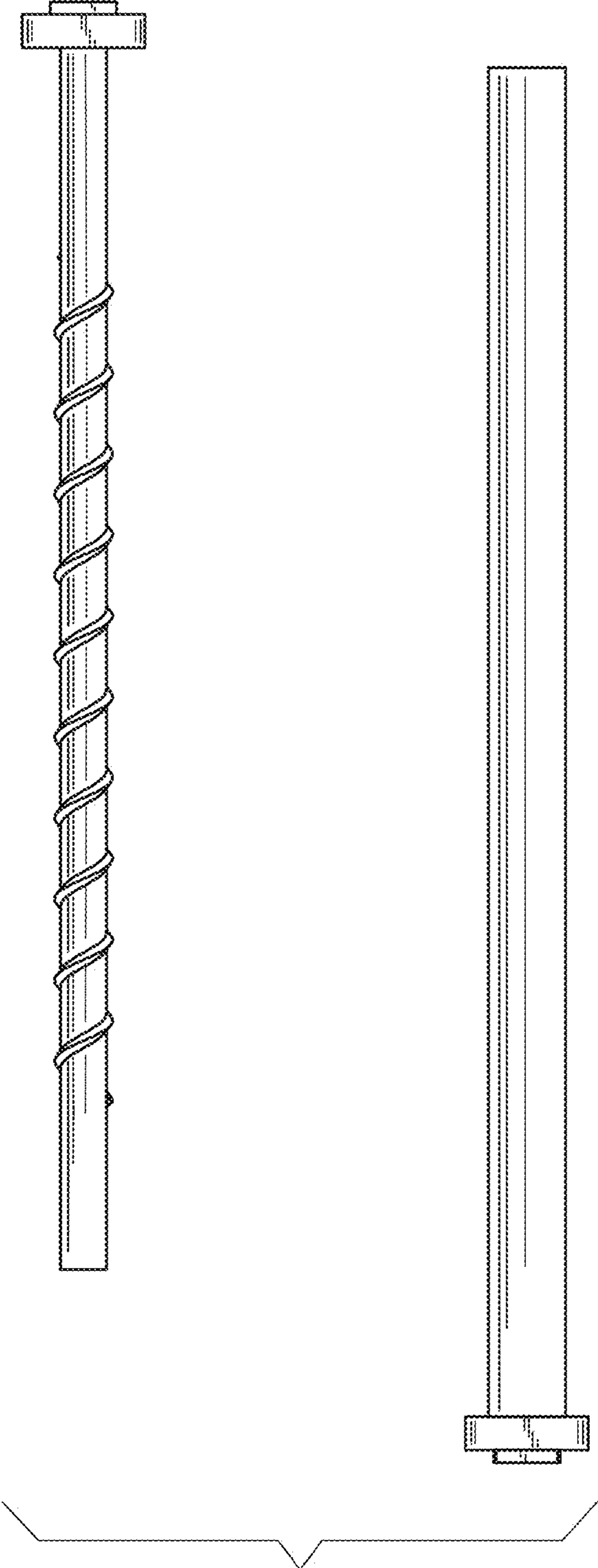


Fig. 7



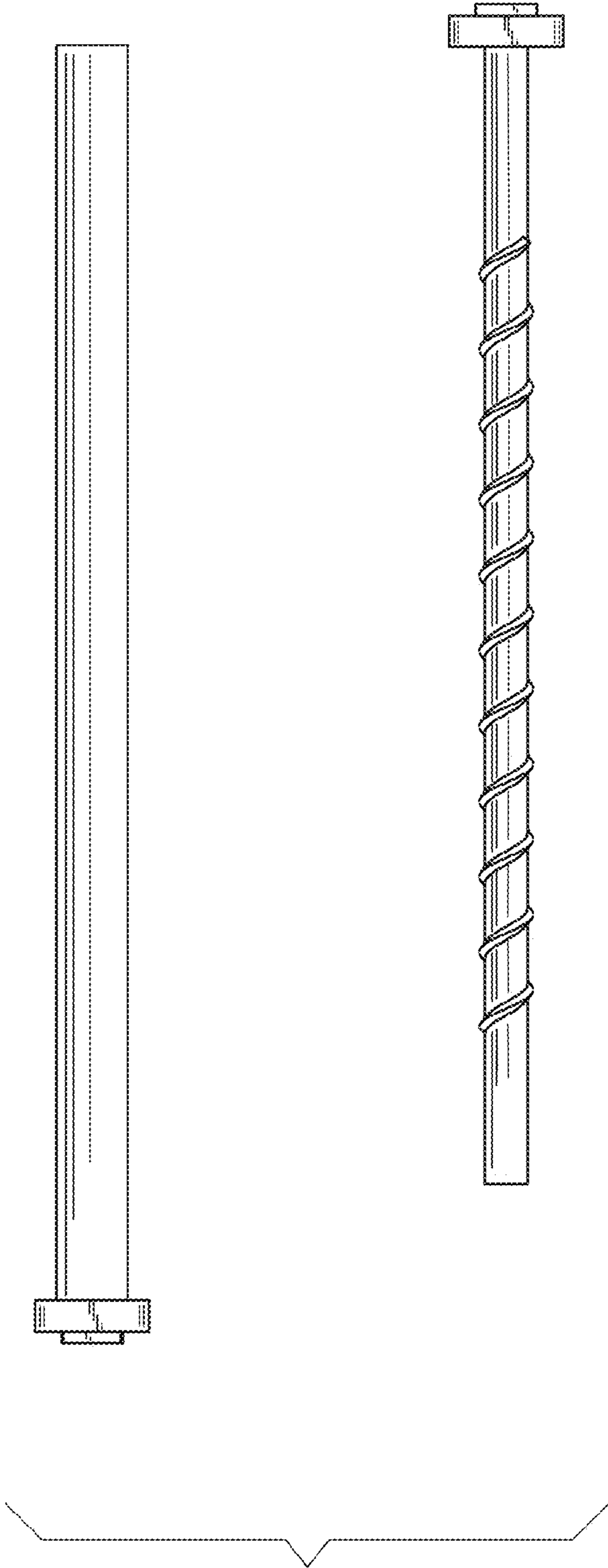


Fig. 8

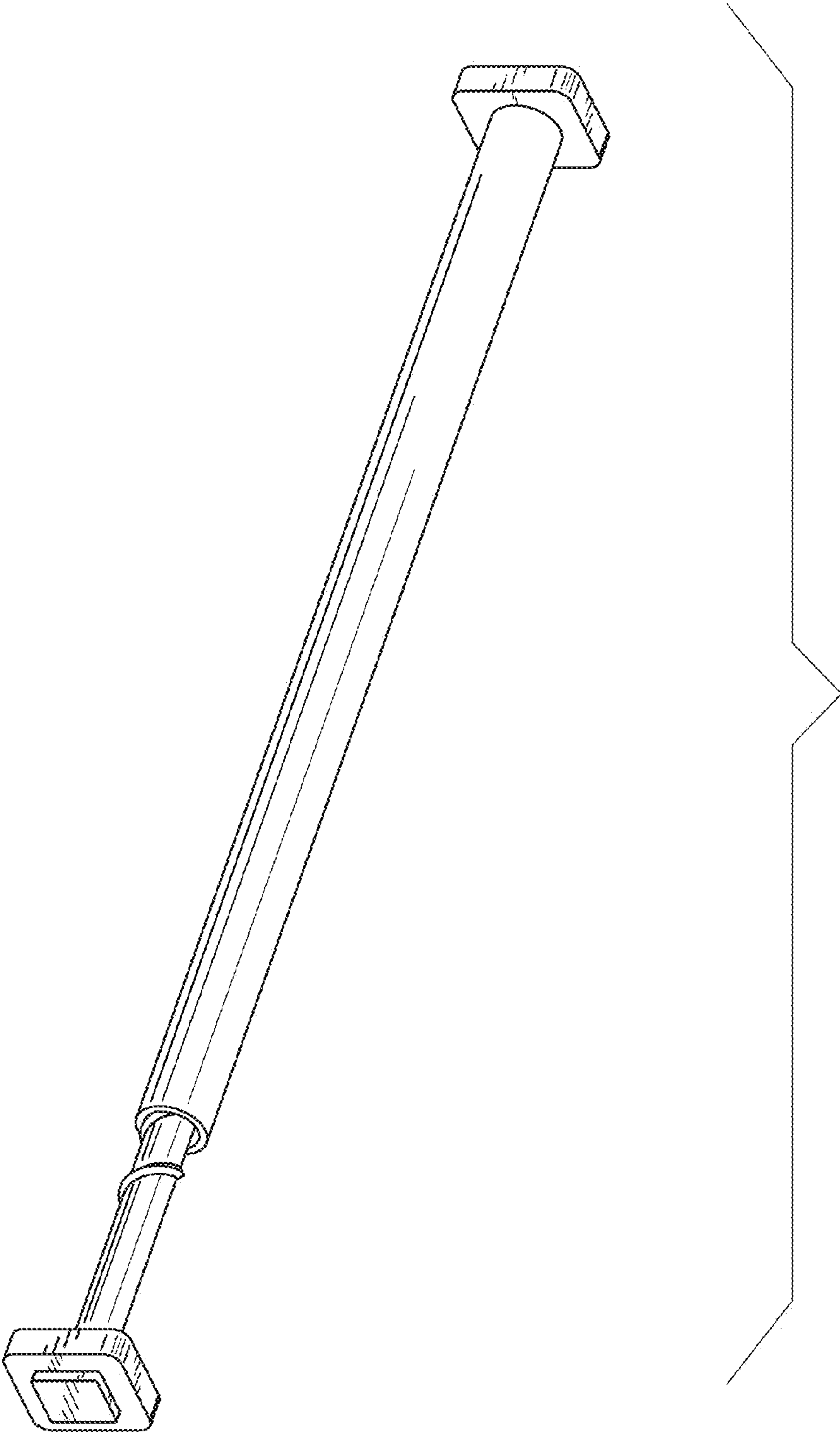


Fig. 9