



US00D721571S

(12) **United States Design Patent**
Roberts et al.

(10) **Patent No.:** **US D721,571 S**
(45) **Date of Patent:** **** Jan. 27, 2015**

(54) **SNAP HOOK INTERFACE FOR A FIREARM**

- (71) Applicant: **Magpul Industries Corporation**, Erie, CO (US)
- (72) Inventors: **Tim Roberts**, Erie, CO (US); **Michael T. Mayberry**, Denver, CO (US)
- (73) Assignee: **Magpul Industries Corporation**, Erie, CO (US)
- (**) Term: **14 Years**

- (21) Appl. No.: **29/477,461**
- (22) Filed: **Dec. 23, 2013**
- (51) **LOC (10) Cl.** **08-05**
- (52) **U.S. Cl.**
USPC **D8/367; D22/108**
- (58) **Field of Classification Search**
USPC D8/367, 354, 349, 373, 372; D6/323; 248/301-304, 339; D22/108; 42/85; 206/315.3; 24/369, 2.5; 224/150, 627, 224/645; 192/69.9
See application file for complete search history.

(56) **References Cited**

U.S. PATENT DOCUMENTS

2,723,430	A	11/1955	Paillard	
3,882,576	A *	5/1975	Kanno	24/658
D429,791	S *	8/2000	Bullock	D22/111
6,305,535	B1	10/2001	Fair	
6,598,330	B2	7/2003	Garrett et al.	
D508,726	S	8/2005	Storch	
D612,895	S *	3/2010	Stein	D21/573
D636,835	S *	4/2011	Fitzpatrick et al.	D22/108
D636,836	S	4/2011	Fitzpatrick et al.	
D639,890	S *	6/2011	Troy, Jr.	D22/108
D669,150	S	10/2012	Mayberry et al.	
D698,405	S *	1/2014	Kline	D22/108
D706,378	S *	6/2014	Fitzpatrick et al.	D22/108
2009/0140019	A1	6/2009	Martinich	
2010/0287808	A1	11/2010	King	
2013/0305582	A1 *	11/2013	Mayberry et al.	42/85

OTHER PUBLICATIONS

Bravo Company USA Sling-Swivel-Mounts, Online Catalog (2010), <http://www.bravocompanyusa.com/Sling-Swivel-Mounts-s/63.htm>.
Wilson Combat Picatinny Rail Sling Mounts, Online Catalog (2010), http://www.wilsoncombat.com/r_pr_slingmounts.asp.

* cited by examiner

Primary Examiner — Cynthia Underwood

(74) *Attorney, Agent, or Firm* — Swanson & Bratschun, L.L.C.

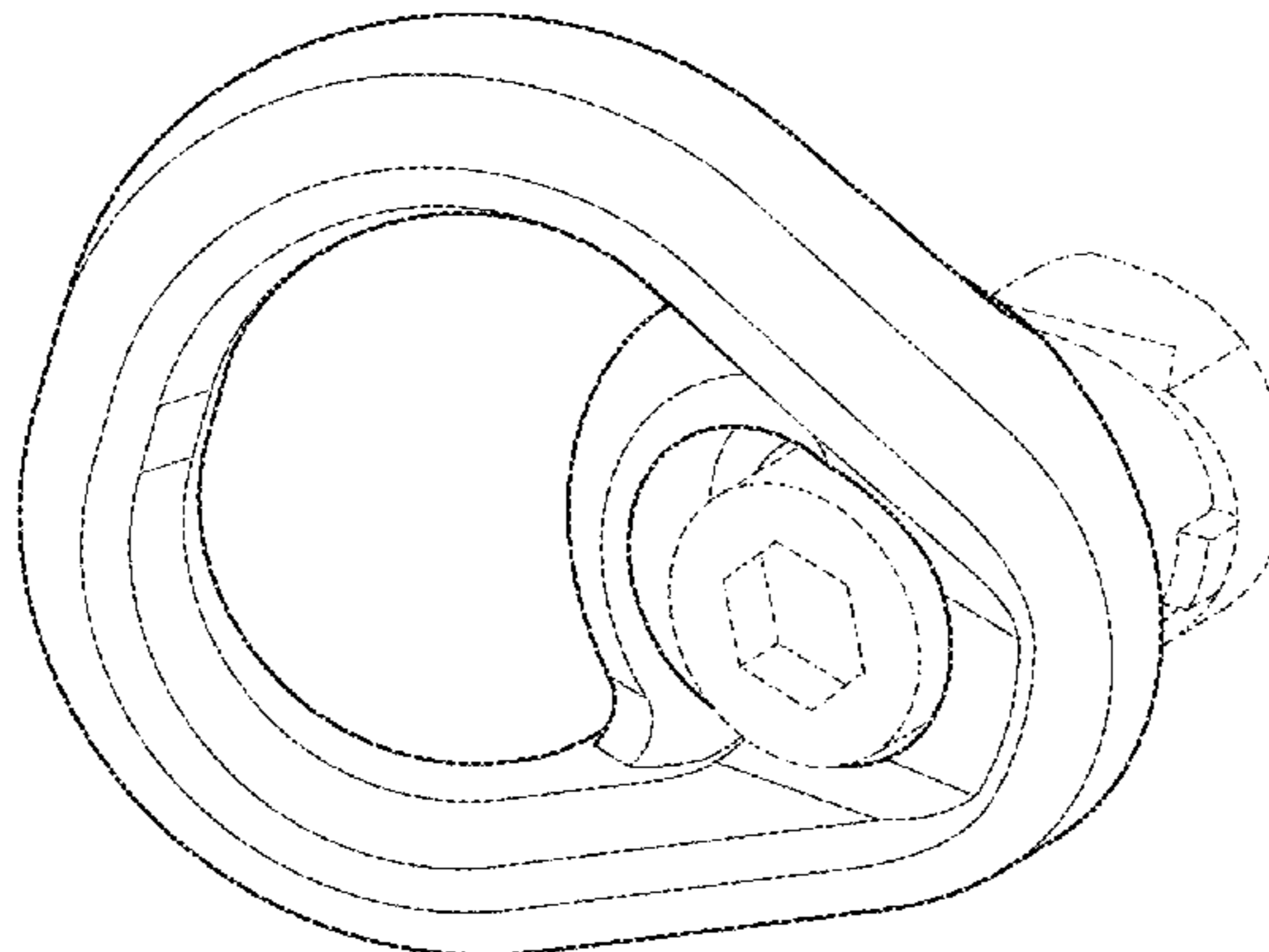
(57) **CLAIM**

The ornamental design for a snap hook interface for a firearm, as shown and described.

DESCRIPTION

FIG. 1 is a front, top, left perspective view of the snap hook interface for a firearm of the present invention shown on a firearm stock at a reduced scale;
 FIG. 2 is a front, top, left perspective view of the snap hook interface for a firearm of FIG. 1;
 FIG. 3 is a left side elevation view of the snap hook interface for a firearm of FIG. 1, the right side being a mirror image thereof;
 FIG. 4 is a bottom plan view of the snap hook interface for a firearm of FIG. 1;
 FIG. 5 is top plan view of the snap hook interface for a firearm of FIG. 1;
 FIG. 6 is a front elevation view of the snap hook interface for a firearm of FIG. 1; and,
 FIG. 7 is a rear elevation view of the snap hook interface for a firearm of FIG. 1.
 The broken lines showing portions of the design in all figures are included for the purpose of illustrating environment and unclaimed features and form no part of the claimed design. The alternating long and short segment broken line in FIG. 4 is a boundary line showing the bounds of the claimed design.

1 Claim, 4 Drawing Sheets



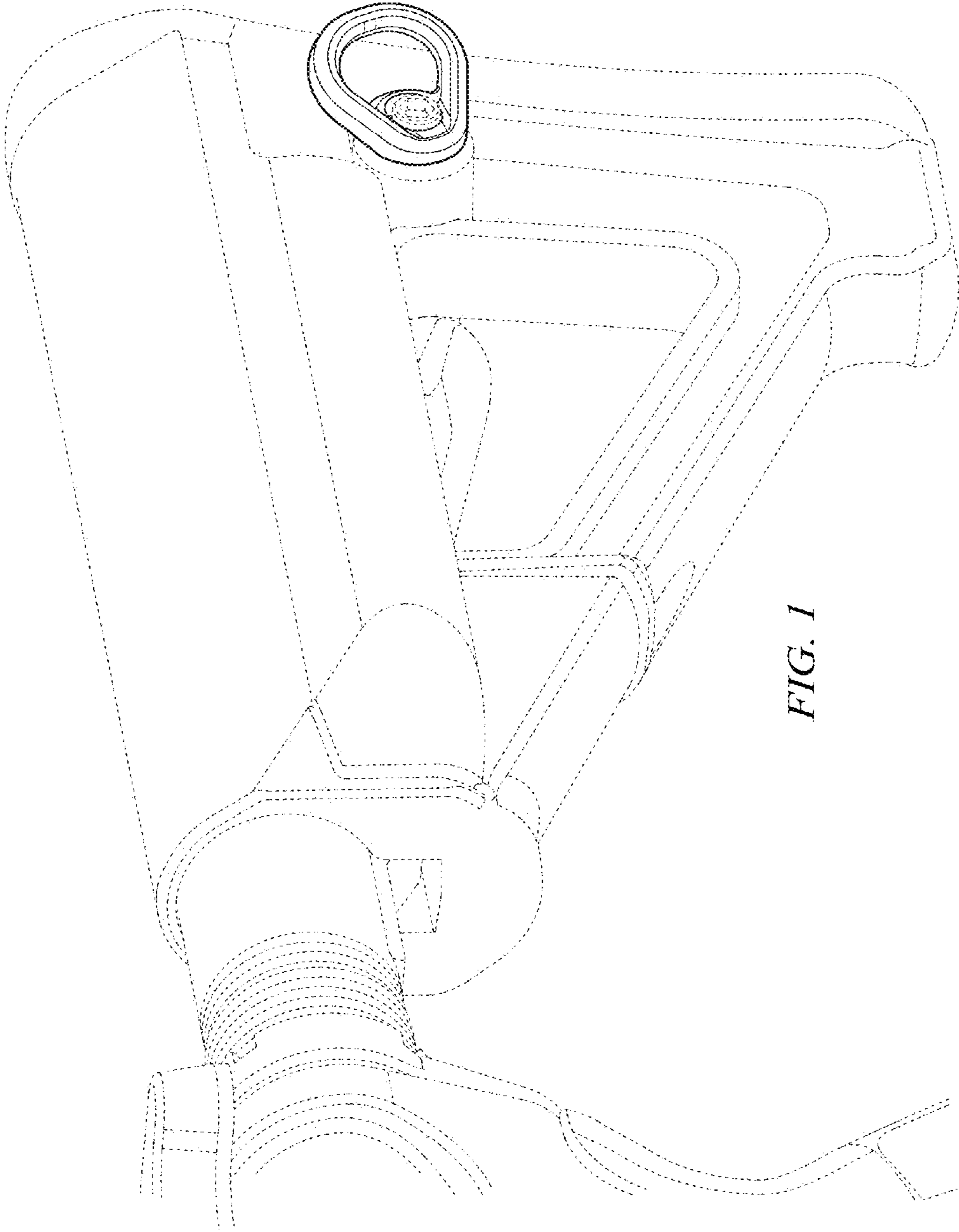


FIG. 1

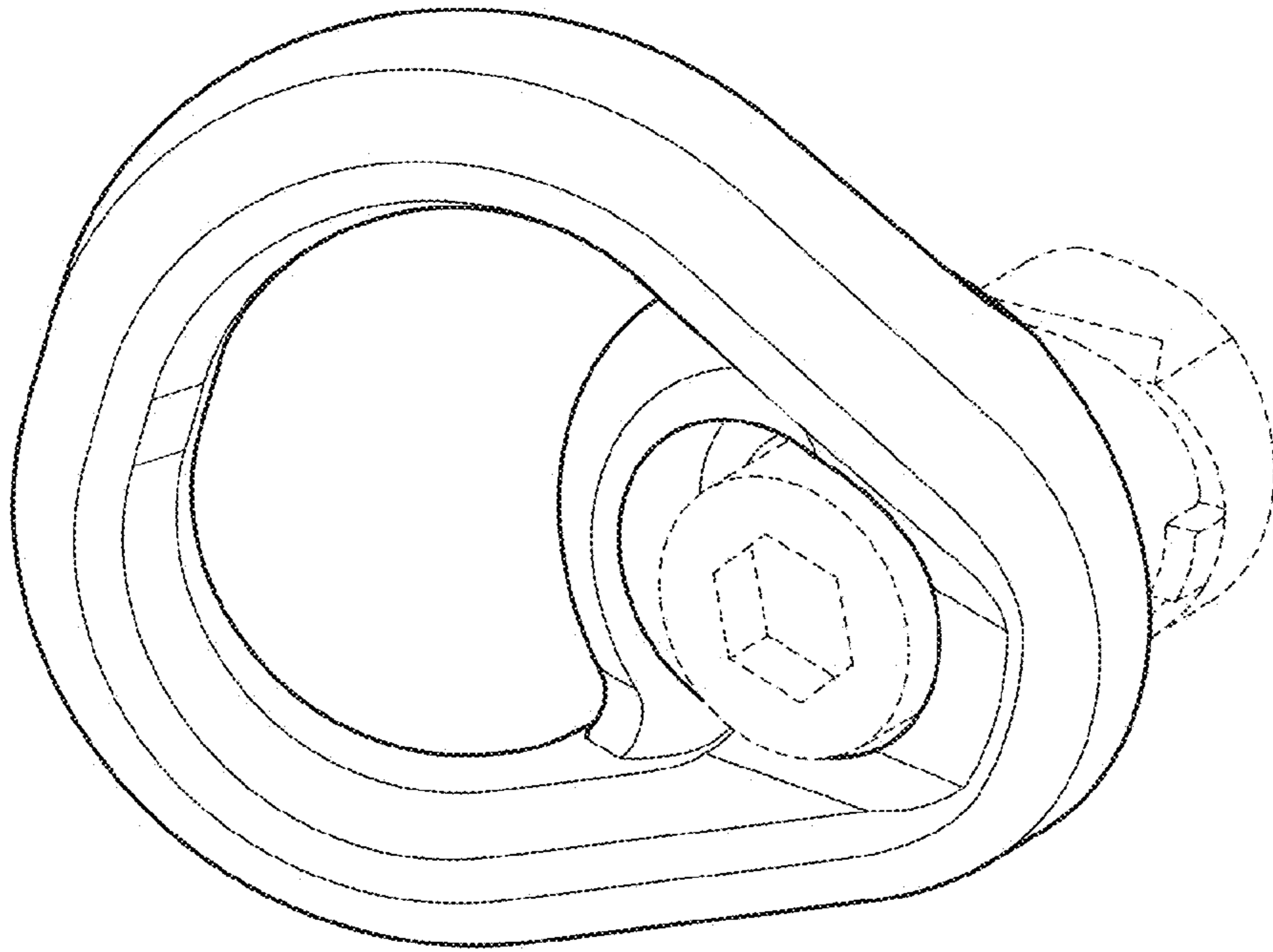


FIG. 2

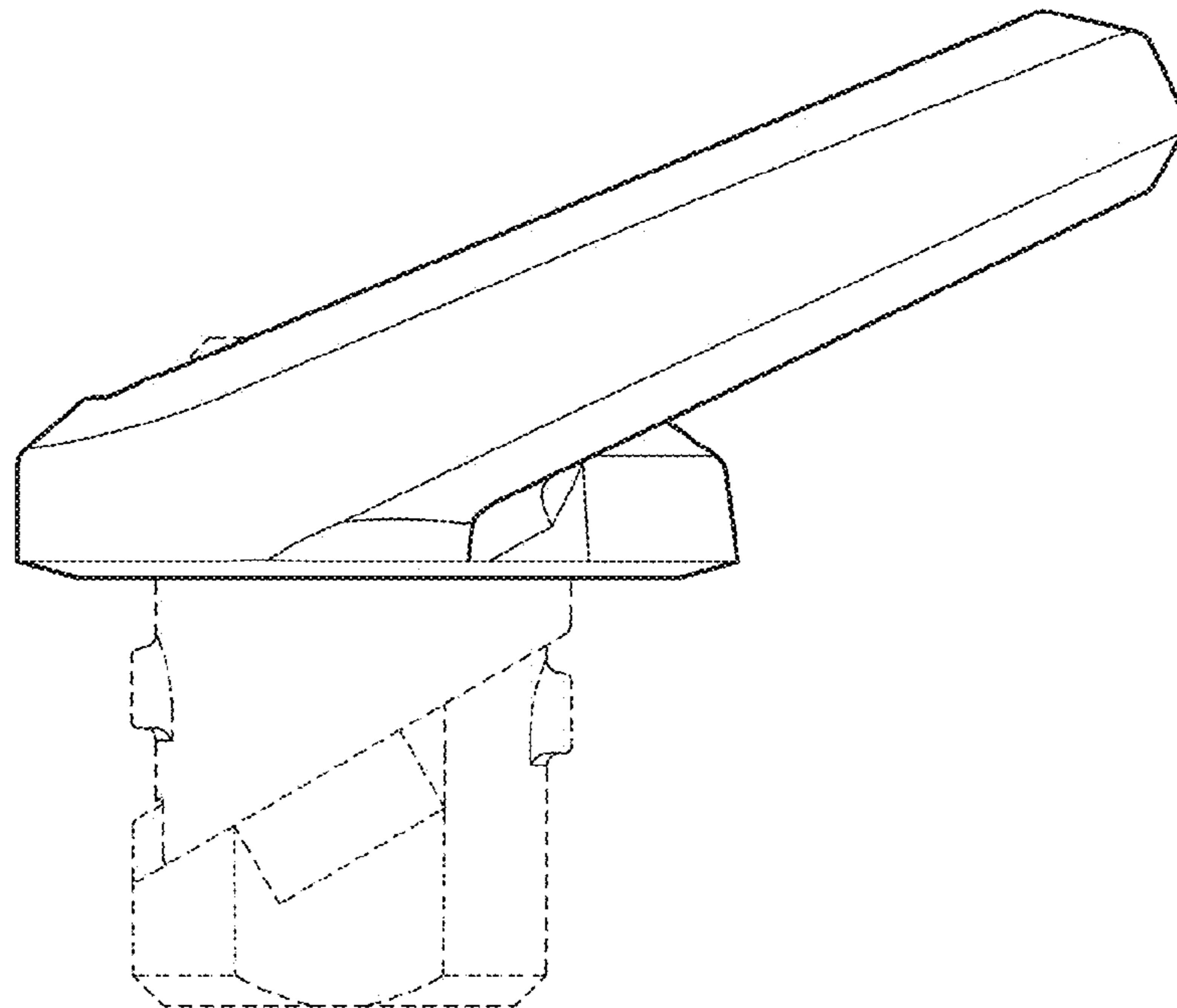


FIG. 3

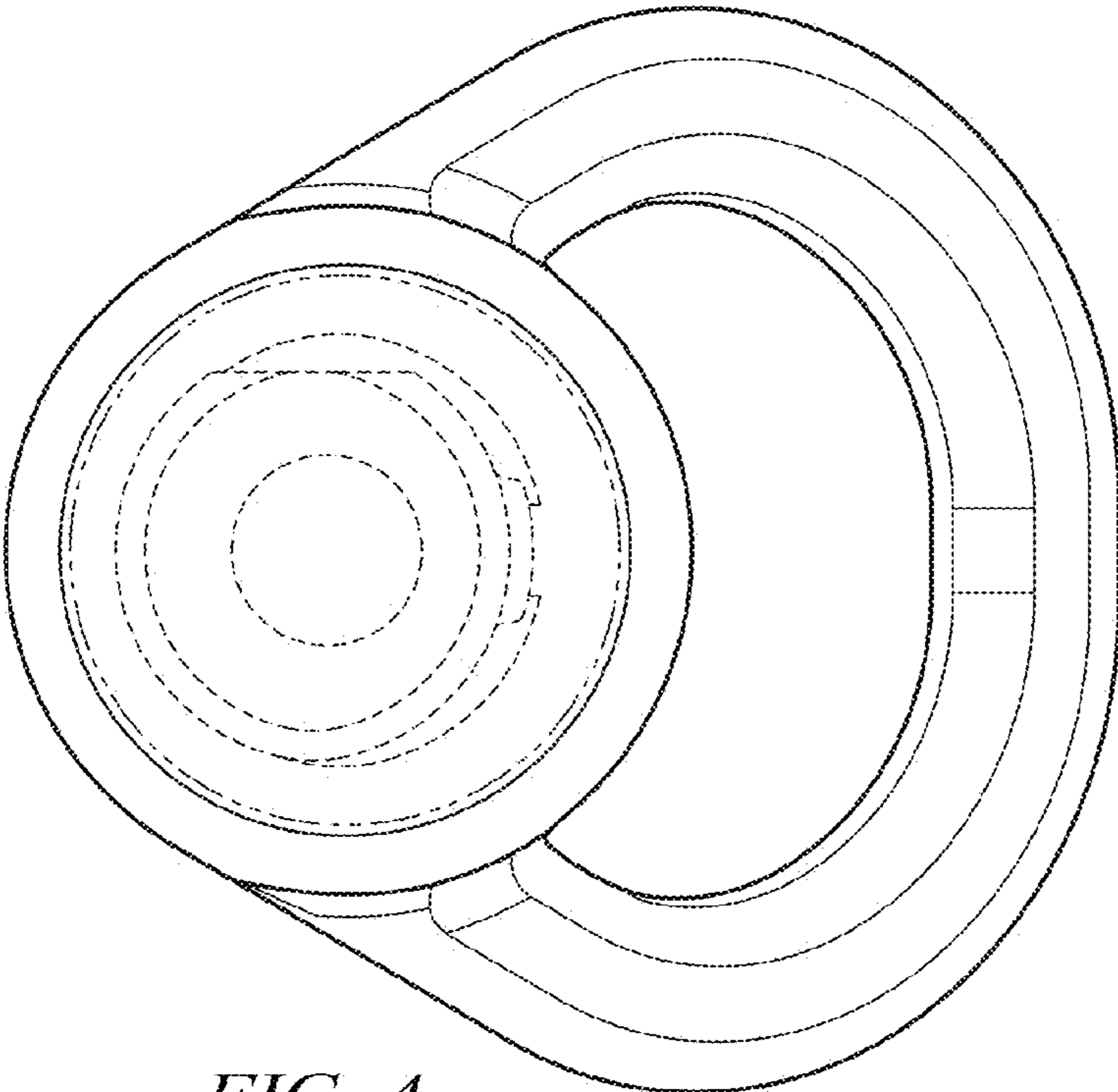


FIG. 4

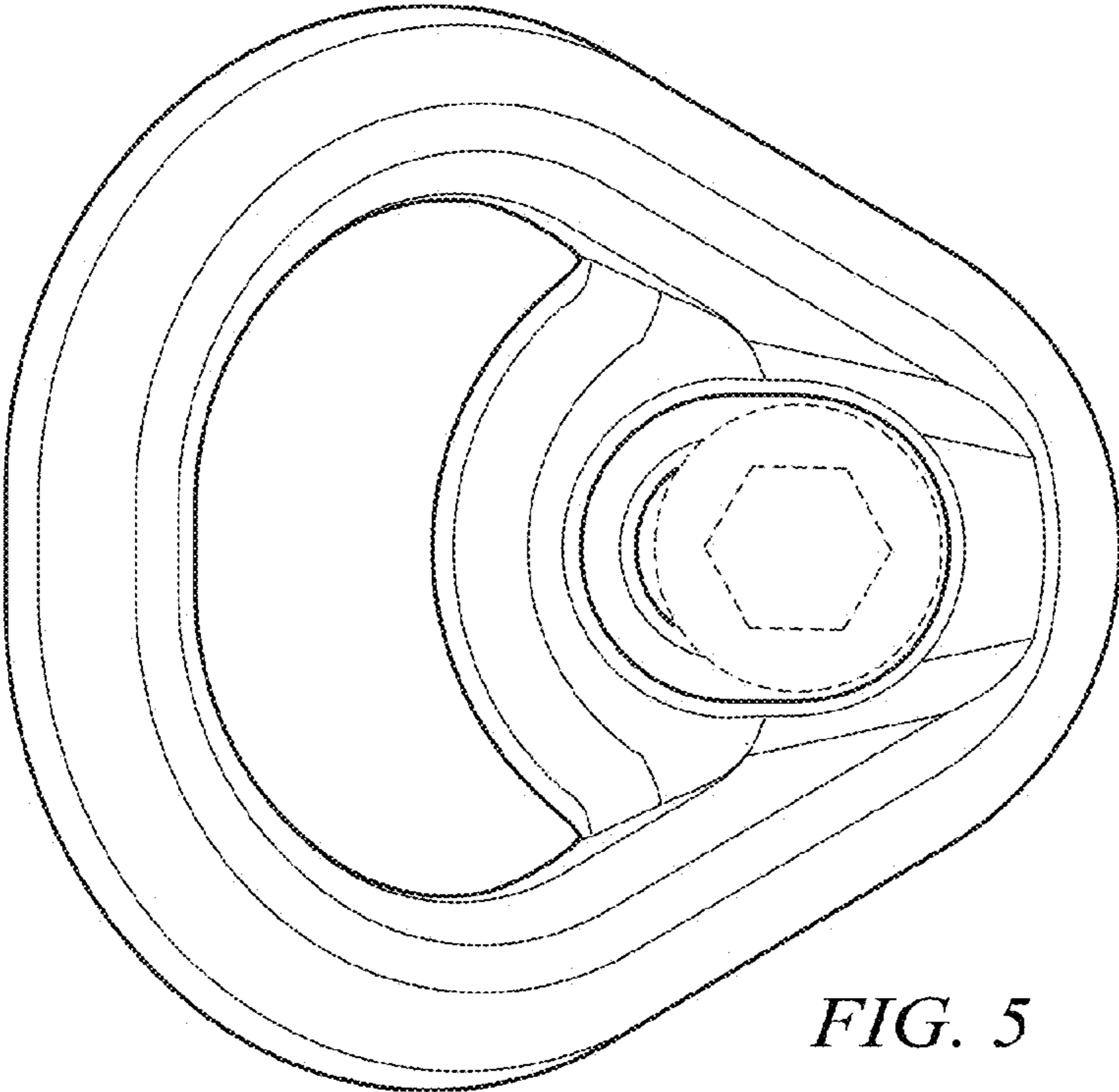


FIG. 5

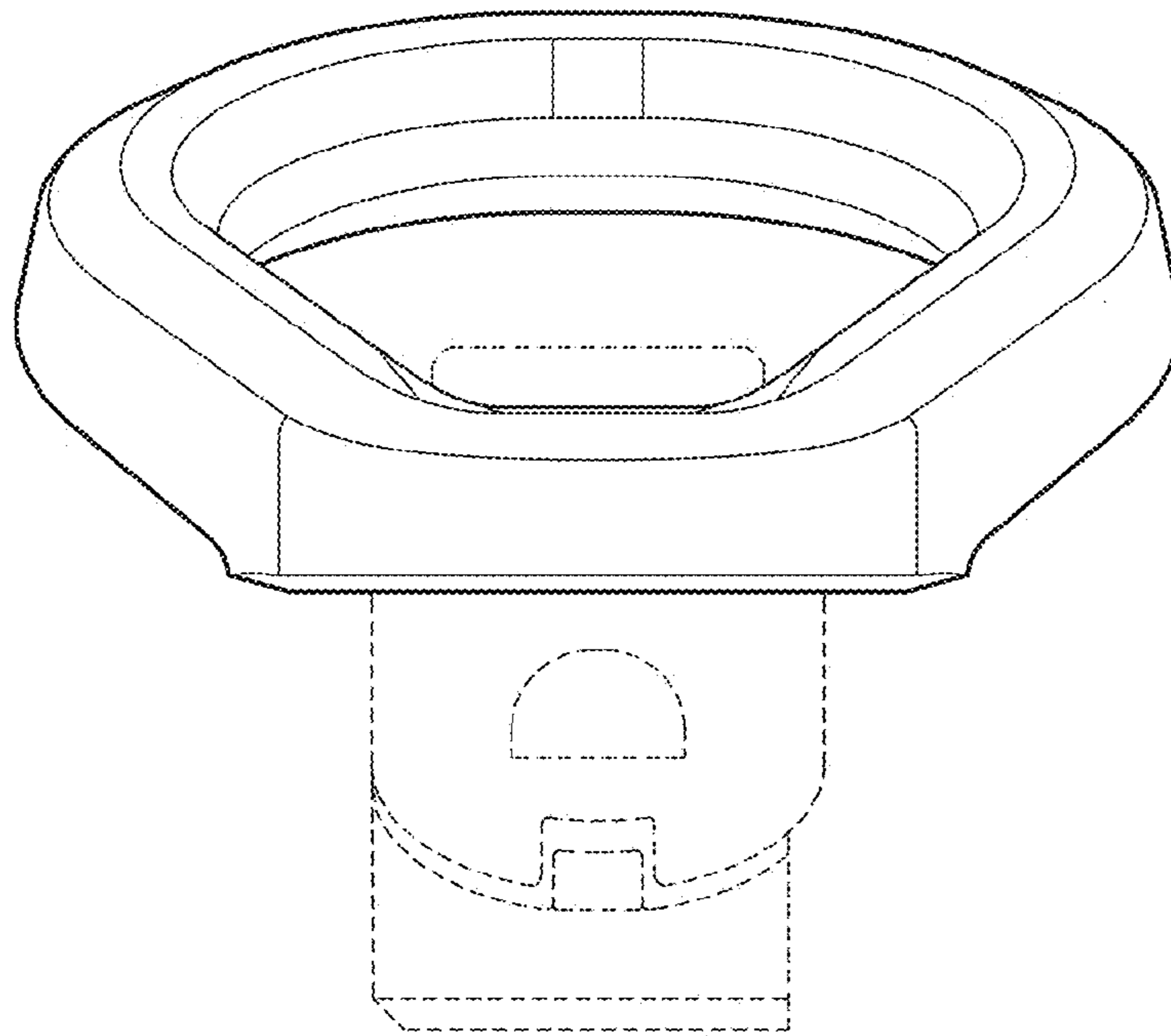


FIG. 6

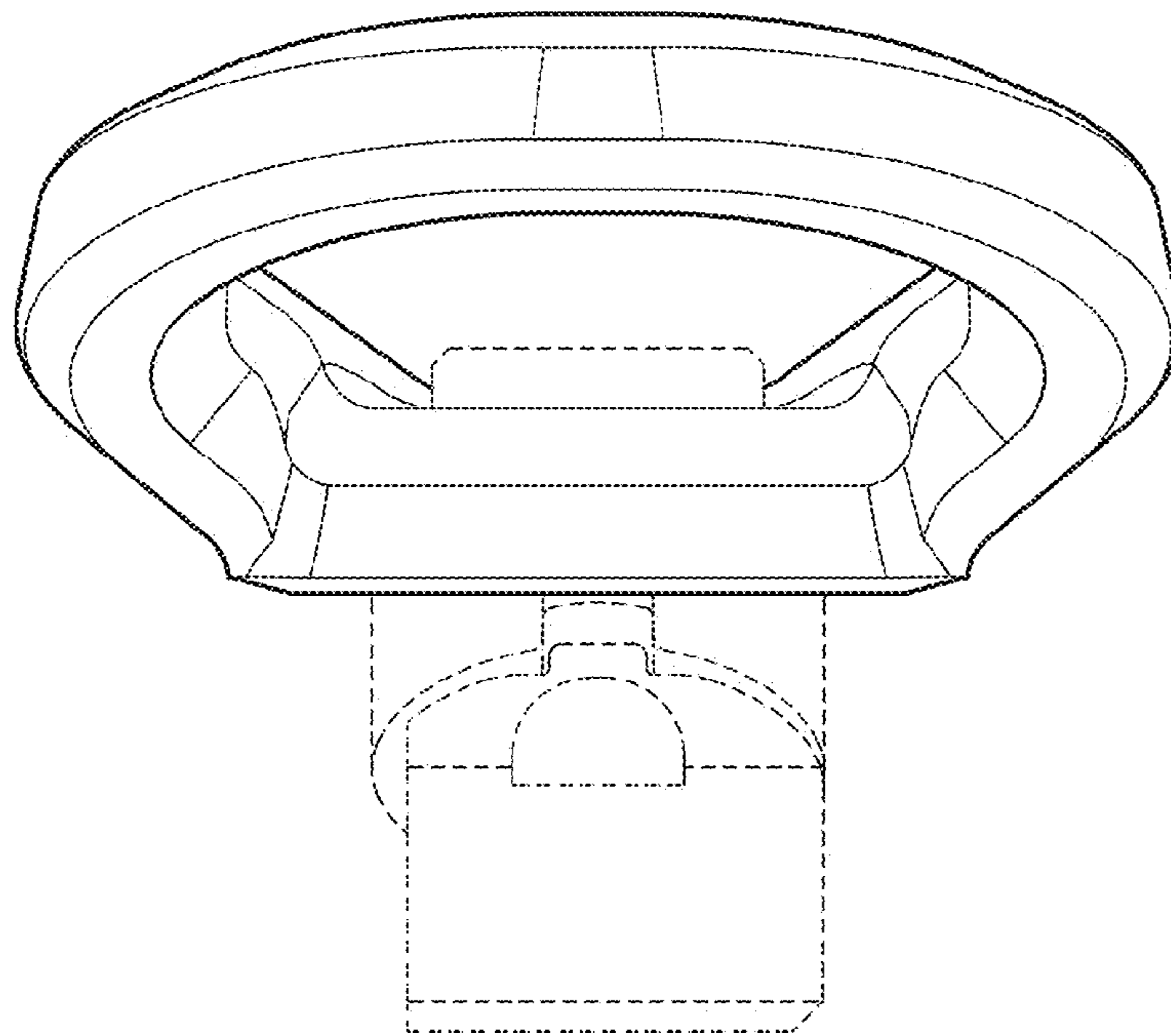


FIG. 7