



US00D721570S

(12) **United States Design Patent**
Caughron et al.

(10) **Patent No.:** **US D721,570 S**
(45) **Date of Patent:** **** Jan. 27, 2015**

(54) **CURTAIN HOOK CLOSURE**

(71) Applicants: **Jennifer H Caughron**, Batesville, AR (US); **Joel W Deaton**, Batesville, AR (US)

(72) Inventors: **Jennifer H Caughron**, Batesville, AR (US); **Joel W Deaton**, Batesville, AR (US)

(**) Term: **14 Years**

(21) Appl. No.: **29/469,191**

(22) Filed: **Oct. 8, 2013**

(51) **LOC (10) Cl.** **08-05**

(52) **U.S. Cl.**
USPC **D8/367**

(58) **Field of Classification Search**
USPC D8/367, 354, 349, 373, 372, 323;
D6/323; 248/301-304, 339
See application file for complete search history.

(56) **References Cited**

U.S. PATENT DOCUMENTS

4,648,765	A *	3/1987	Kovaleski et al.	410/110
D411,099	S *	6/1999	Smith	D8/367
D440,374	S *	4/2001	Basile, II	D34/35
D446,444	S *	8/2001	Sterling et al.	D8/367
D468,192	S *	1/2003	Lee	D8/367
D474,105	S *	5/2003	Lee	D8/367
D644,090	S *	8/2011	Sittig	D8/367
D679,095	S *	4/2013	Williams et al.	D3/328
D700,830	S *	3/2014	Brockman	D8/367

* cited by examiner

Primary Examiner — Cynthia Underwood

(74) *Attorney, Agent, or Firm* — Joe D. Calhoun

(57) **CLAIM**

We claim the ornamental design of a curtain hook closure, as shown and described.

DESCRIPTION

FIG. 1 is a perspective view of a first embodiment of a curtain hook closure, shown in use positioned around a representative sample of a curtain hook.

FIG. 2 is a right side elevation view of the curtain hook closure of FIG. 1; the left side elevation view being a mirror image of the left side elevation view.

FIG. 3 is a front elevation view of the curtain hook closure of FIG. 1, with the faceplate of the sample curtain hook removed.

FIG. 4 is a rear elevation view of the curtain hook closure of FIG. 1.

FIG. 5 is a top plan view of the curtain hook closure of FIG. 1.

FIG. 6 is a bottom plan view of the curtain hook closure of FIG. 1.

FIG. 7 is a perspective view of a second embodiment of the curtain hook closure, shown in use positioned around a representative sample of a curtain hook.

FIG. 8 is a right side elevation view of the curtain hook closure of FIG. 7; the left side elevation view being a mirror image of the left side elevation view.

FIG. 9 is a front elevation view of the curtain hook closure of FIG. 7, with the faceplate of the sample curtain hook removed.

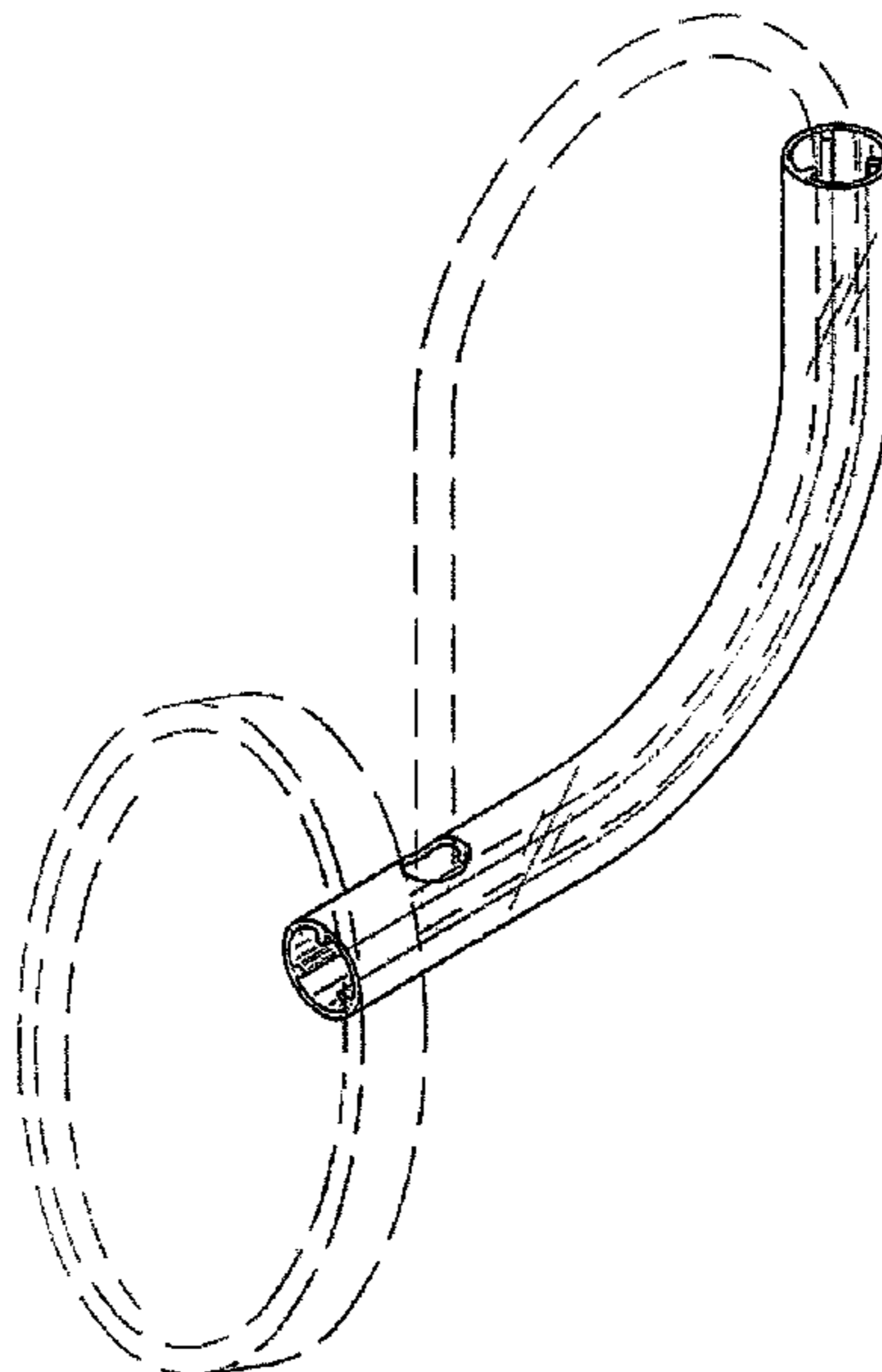
FIG. 10 is a rear elevation view of the curtain hook closure of FIG. 7.

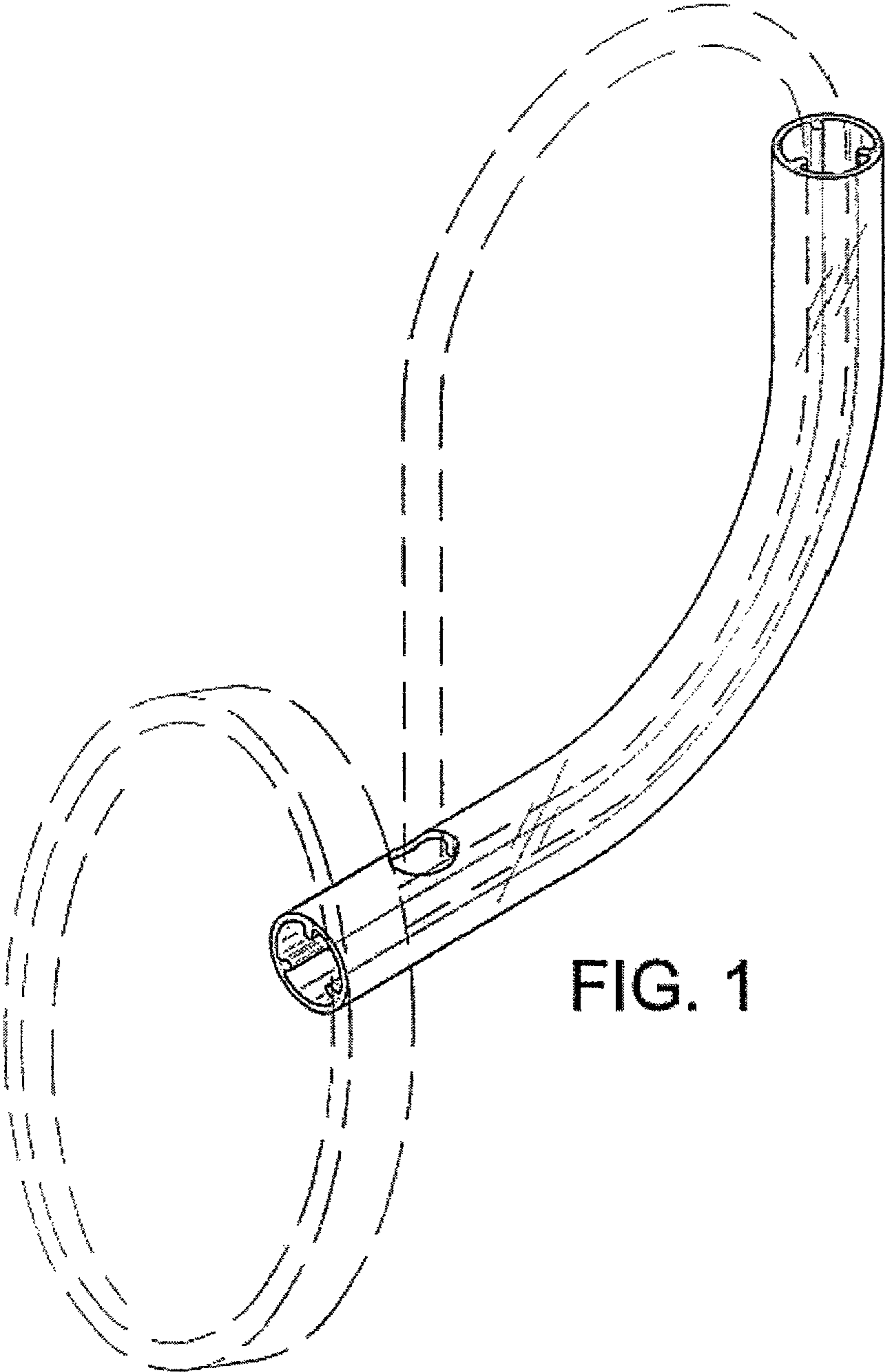
FIG. 11 is a top plan view of the curtain hook closure of FIG. 7; and,

FIG. 12 is a bottom plan view of the curtain hook closure of FIG. 7.

The broken lines are included for illustrative purposes only and form no part of the claim.

1 Claim, 8 Drawing Sheets





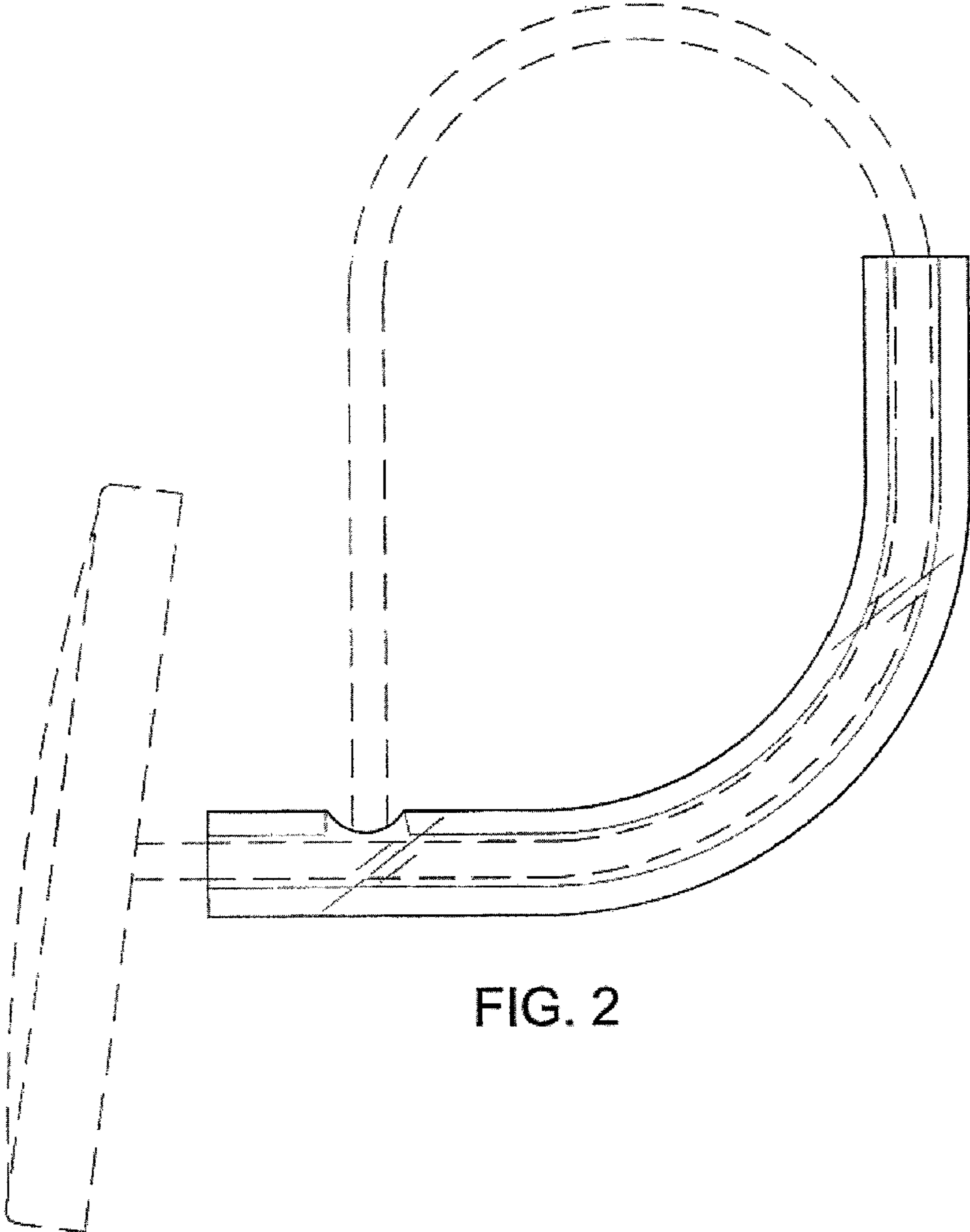


FIG. 2

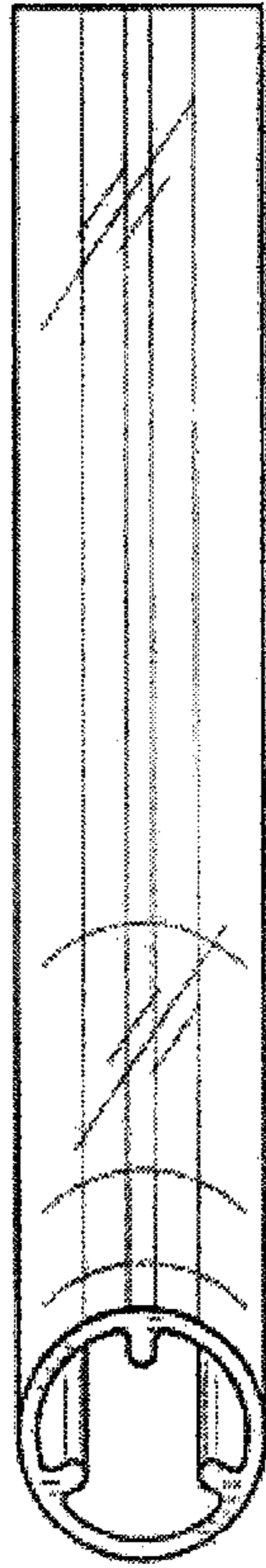


FIG. 3

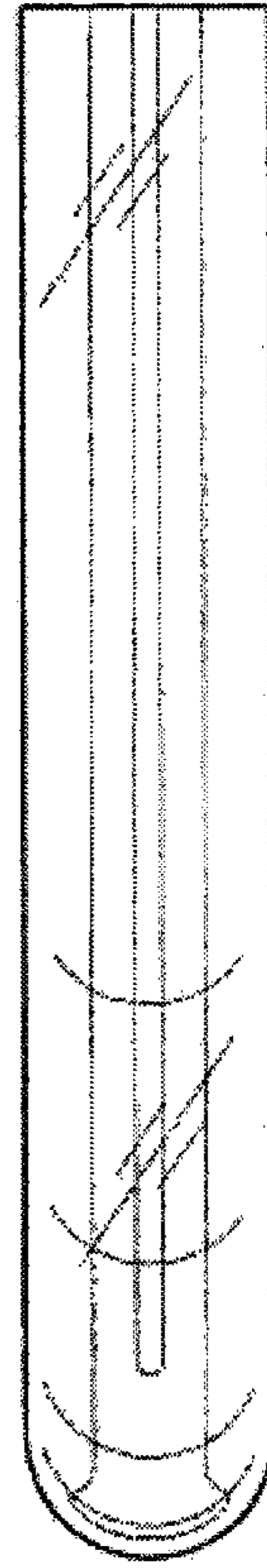


FIG. 4

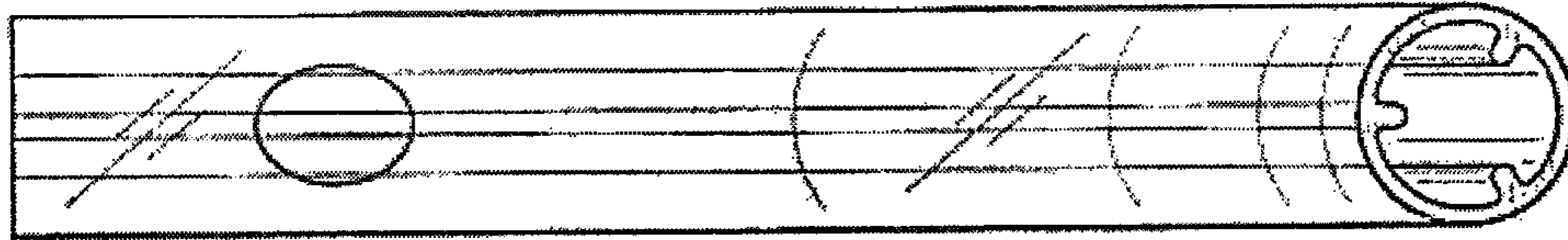


FIG. 5

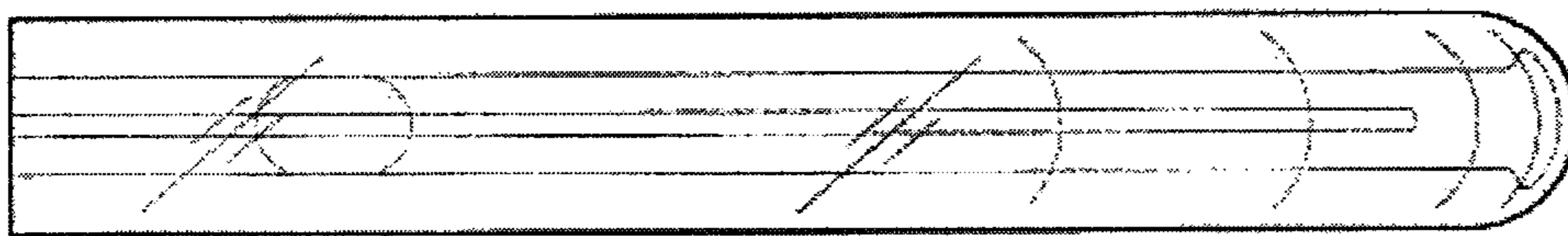


FIG. 6

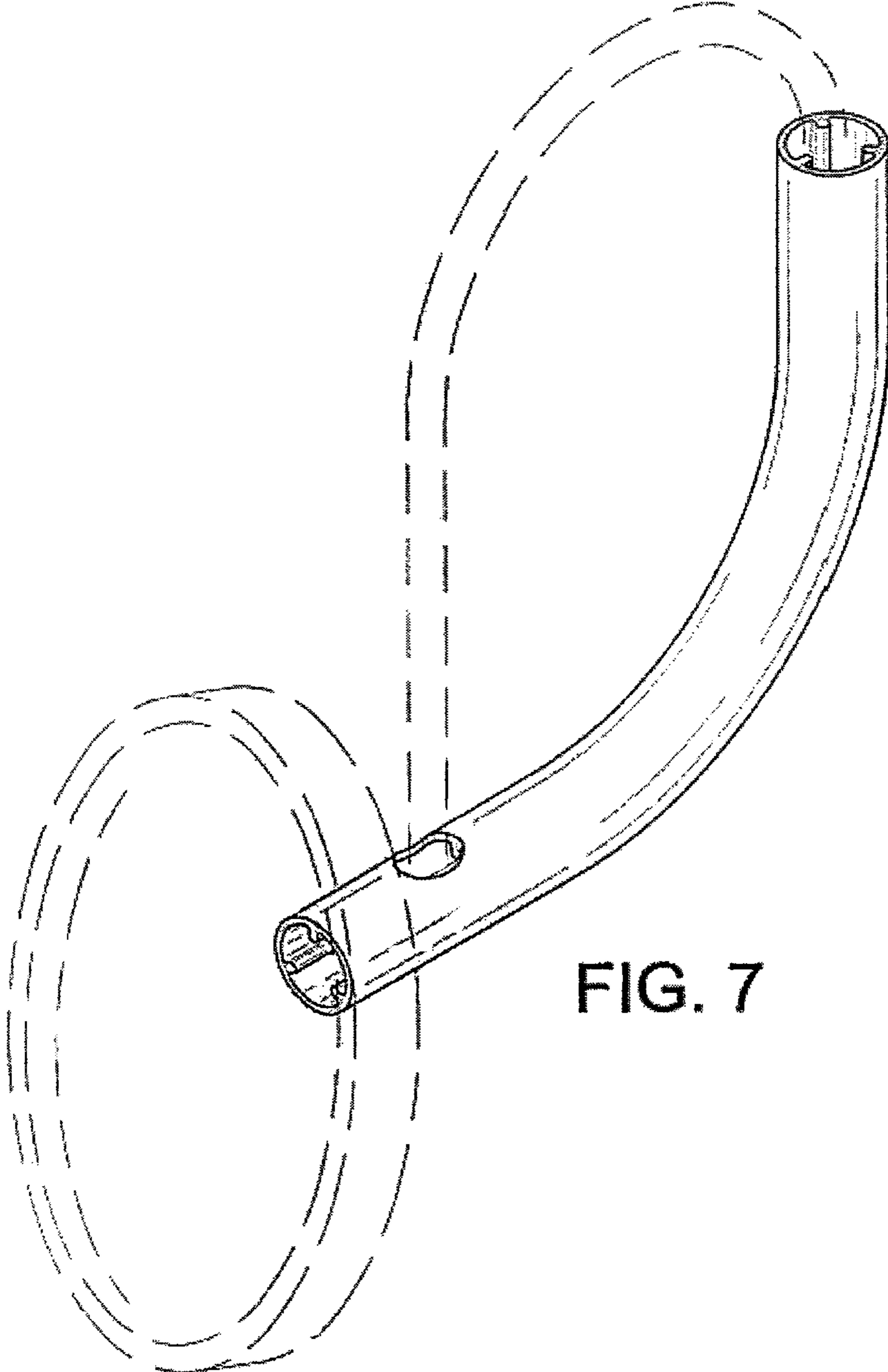


FIG. 7

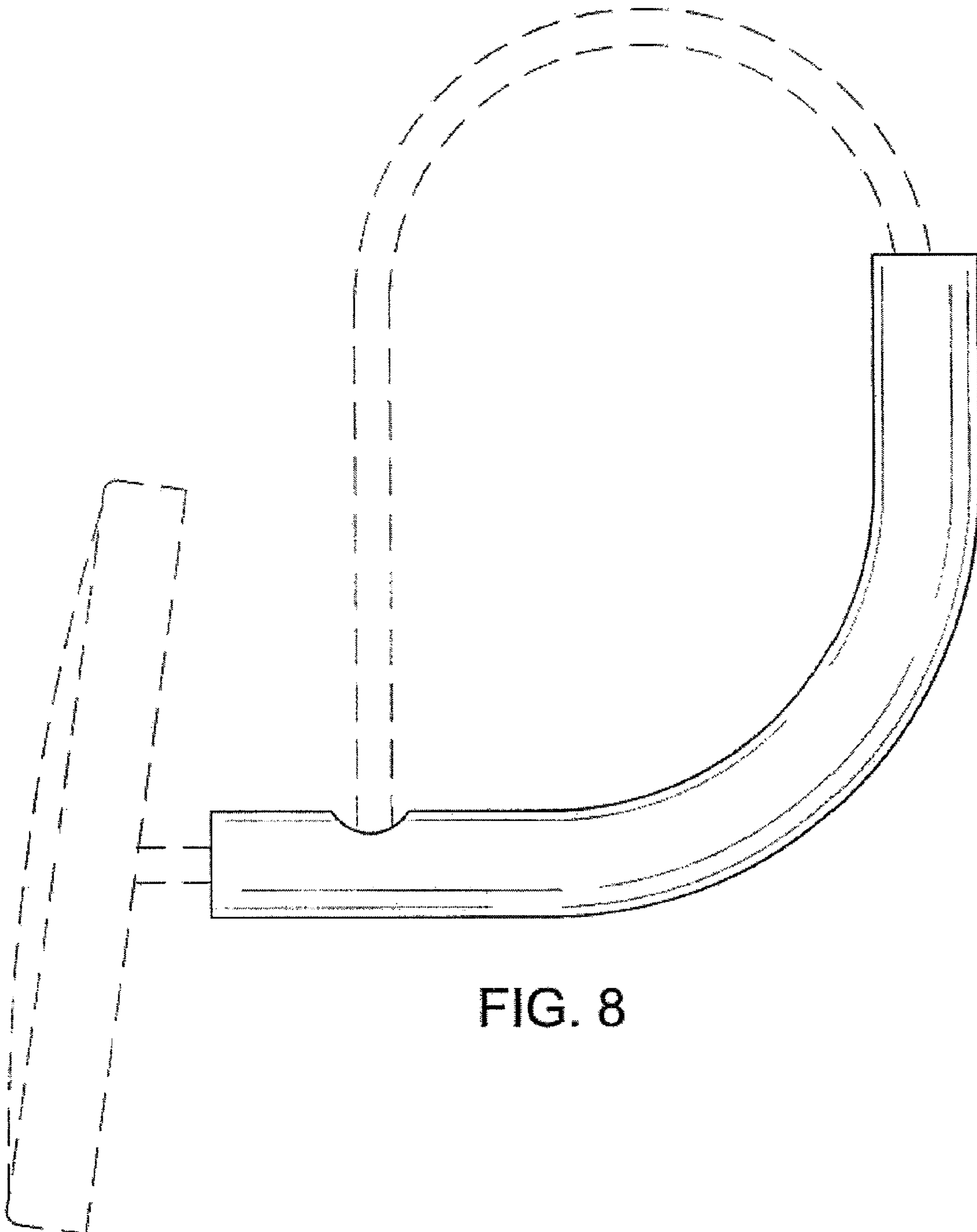


FIG. 8

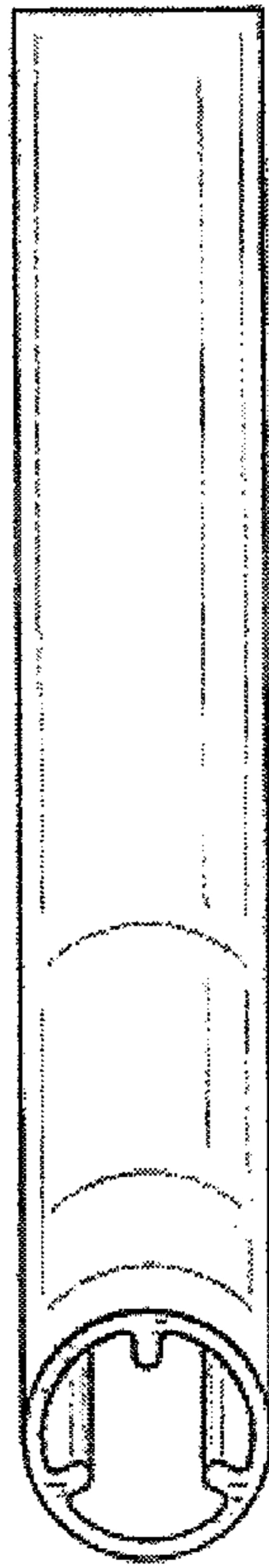


FIG. 9

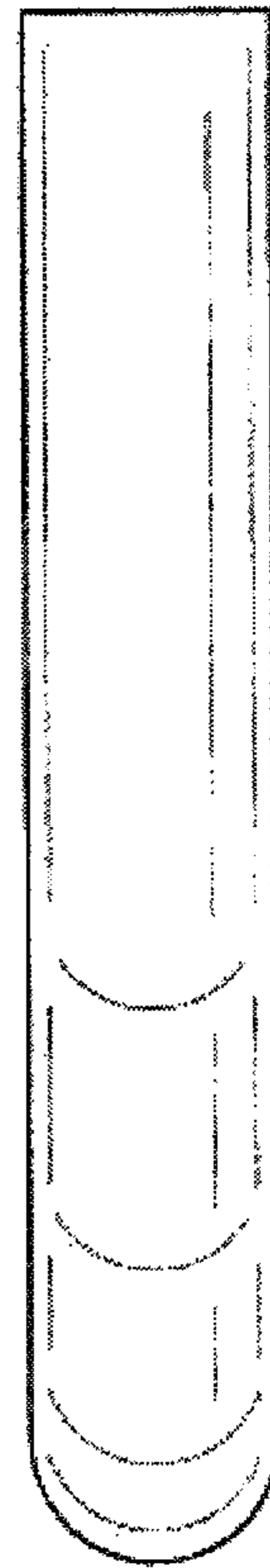


FIG. 10

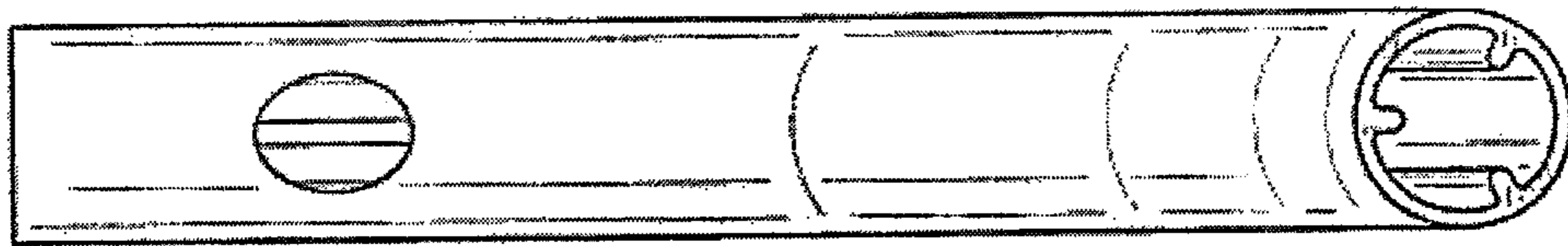


FIG. 11

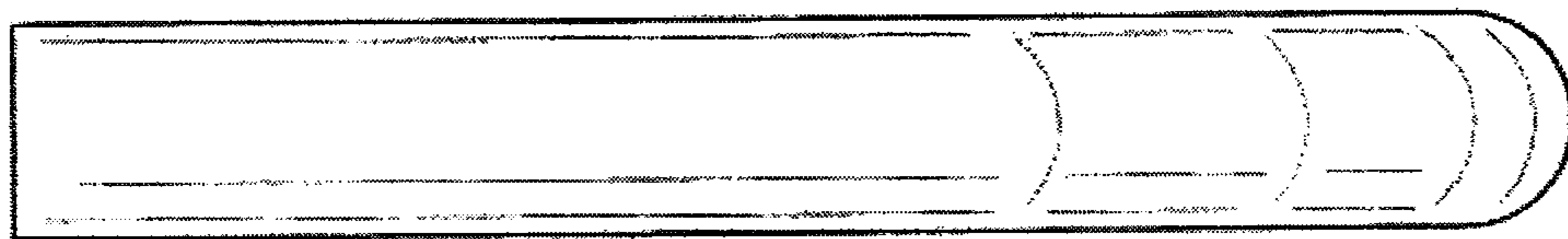


FIG. 12