



US00D721569S

(12) **United States Design Patent**
Ziegler

(10) **Patent No.:** **US D721,569 S**
(45) **Date of Patent:** **** Jan. 27, 2015**

(54) **SAFETY LOCK**

(71) Applicant: **Elbee Pty Ltd.**, Bondi Junction (AU)

(72) Inventor: **Carolyn Ziegler**, Bellevue Hill (AU)

(73) Assignee: **Elbee Pty Ltd.**, Bondi Junction (AU)

(**) Term: **14 Years**

(21) Appl. No.: **29/477,532**

(22) Filed: **Dec. 23, 2013**

(51) **LOC (10) Cl.** **08-07**

(52) **U.S. Cl.**
USPC **D8/339; D8/331**

(58) **Field of Classification Search**

USPC D8/330, 331, 339, 341, 343, 349, 400;
70/20, 52, 57, 141, 224, 416, 465,
70/DIG. 80; 292/2, 32, 327, 335

See application file for complete search history.

(56) **References Cited**

U.S. PATENT DOCUMENTS

D329,370	S	*	9/1992	Manning	D8/331
D380,136	S	*	6/1997	Denzer, Jr.	D8/341
D454,050	S	*	3/2002	Kelly et al.	D8/331
D484,389	S	*	12/2003	Evans	D8/331
7,434,614	B2	*	10/2008	Nelson et al.	166/77.52
D601,403	S	*	10/2009	Cosby et al.	D8/331
D605,493	S	*	12/2009	Tejszerski	D8/331
8,347,974	B2	*	1/2013	Calvert et al.	172/272
8,596,100	B1	*	12/2013	Crispell	70/63

OTHER PUBLICATIONS

“Adhesive Mount Magnetic Drawer Door Lock”, http://www.fishpond.com.au/Baby/Kidco-Adhesive-Mount-Magnetic-Drawer-Door-Locks-4-Locks/0786441933649?utm_source=googleps

&utm_medium=ps&utm_campaign=AU&gclid=CJPF0pzvqbsCFcFdpQodl3oAKQ, Accessed and printed on Dec. 12, 2013.
“Magnetic Cupboard Lock”, http://www.fishpond.com.au/Homeware/Magnetic-Cupboard-Lock-2-Pack/3220660164608?utm_source=googleps&utm_medium=ps&utm_campaign=AU&gclid=CLjcv4PvqbsCFaVepgodqREAgg, Accessed and printed on Dec. 12, 2013.

* cited by examiner

Primary Examiner — Prabhakar Deshmukh

(74) *Attorney, Agent, or Firm* — Wolf, Greenfield & Sacks, P.C.

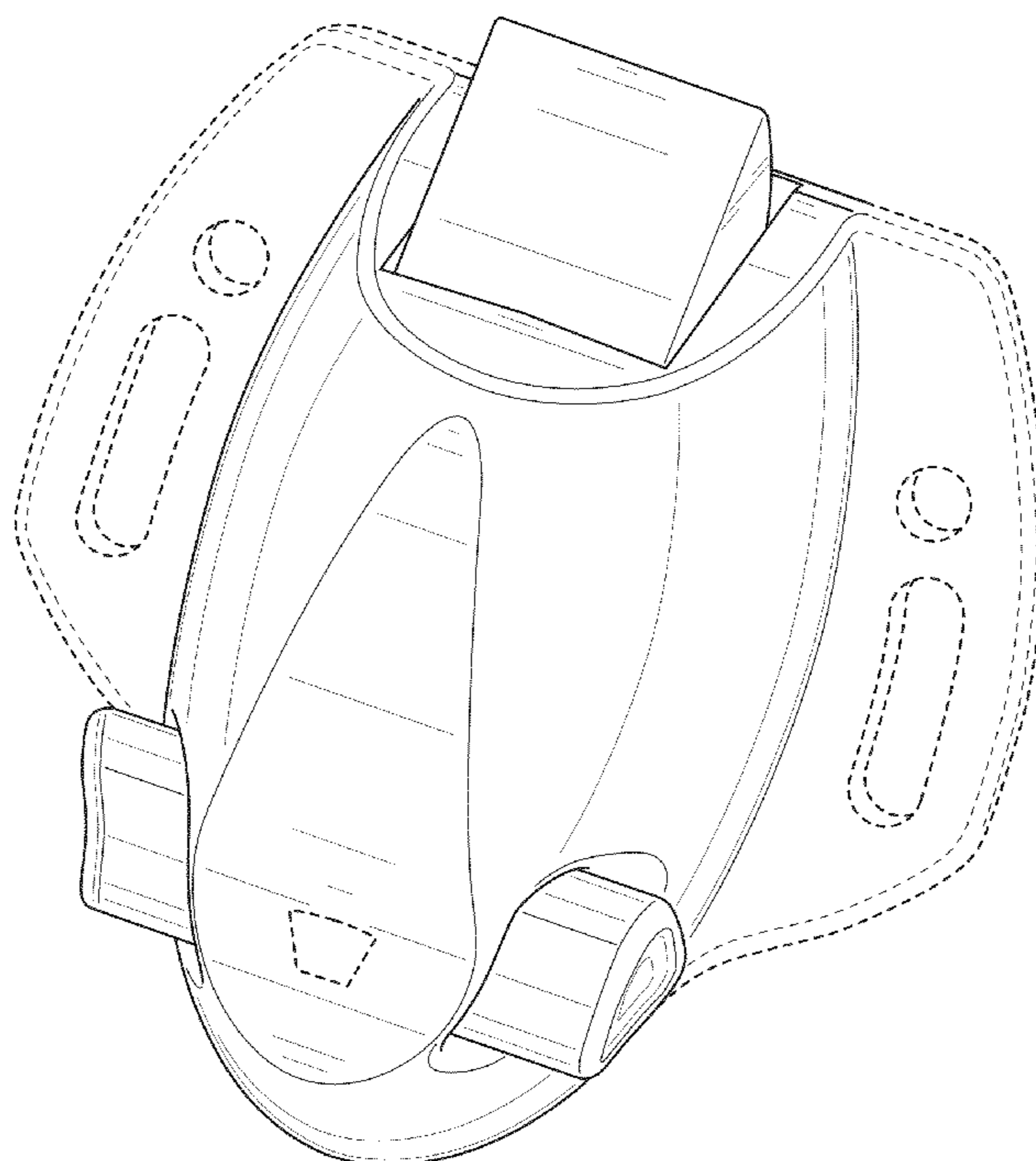
(57) **CLAIM**

The ornamental design for a safety lock, as shown and described.

DESCRIPTION

FIG. 1 is a top, front and right side perspective view of a safety lock showing my new design;
FIG. 2 is a front elevational view thereof;
FIG. 3 is a rear elevational view thereof;
FIG. 4 is a left side elevational view thereof, the right side being a mirror image;
FIG. 5 is a top plan view thereof; and,
FIG. 6 is a bottom plan view thereof.
The broken lines illustrate portions of the safety lock that form no part of the claimed design.

1 Claim, 6 Drawing Sheets



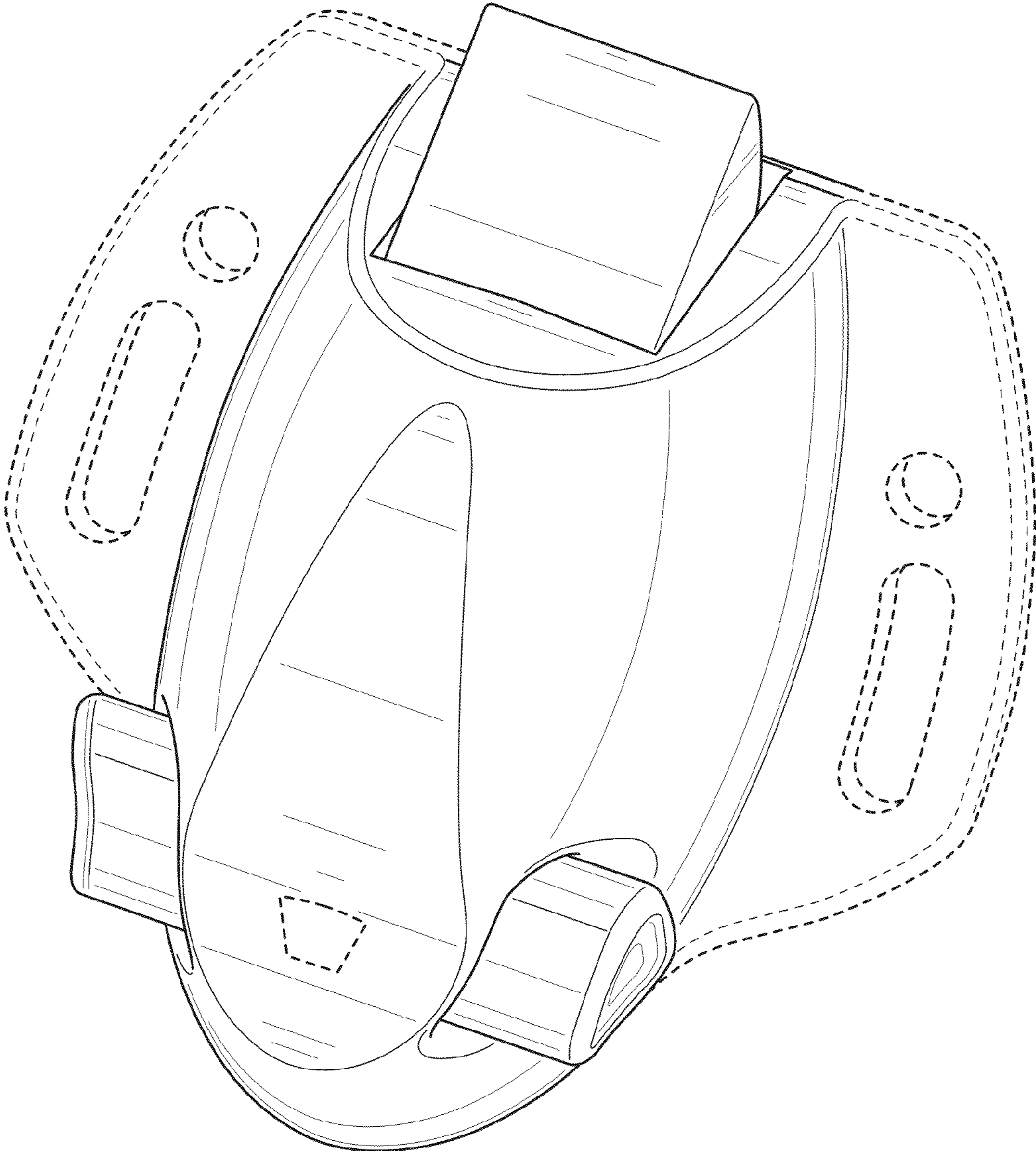


FIG. 1

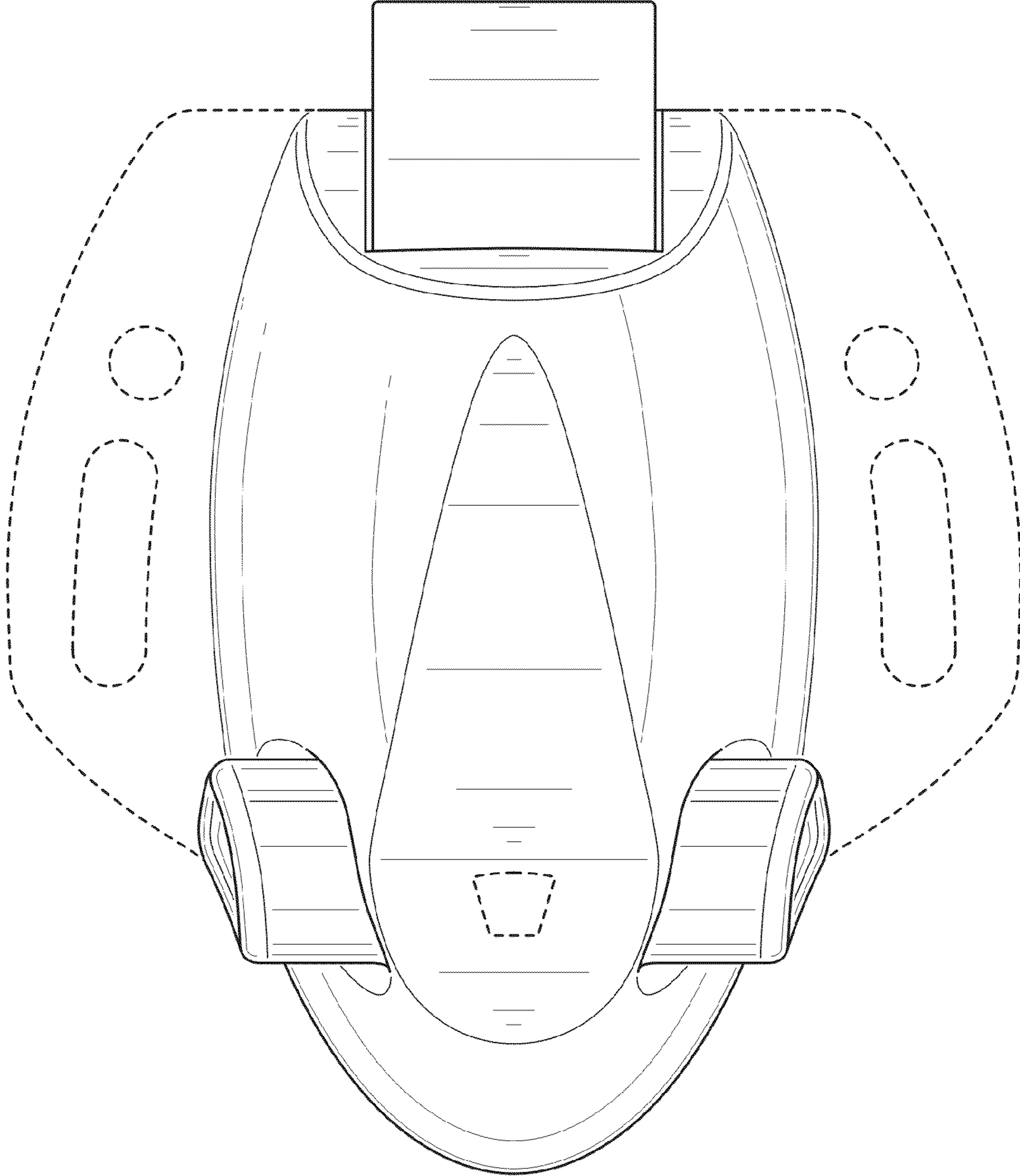


FIG. 2

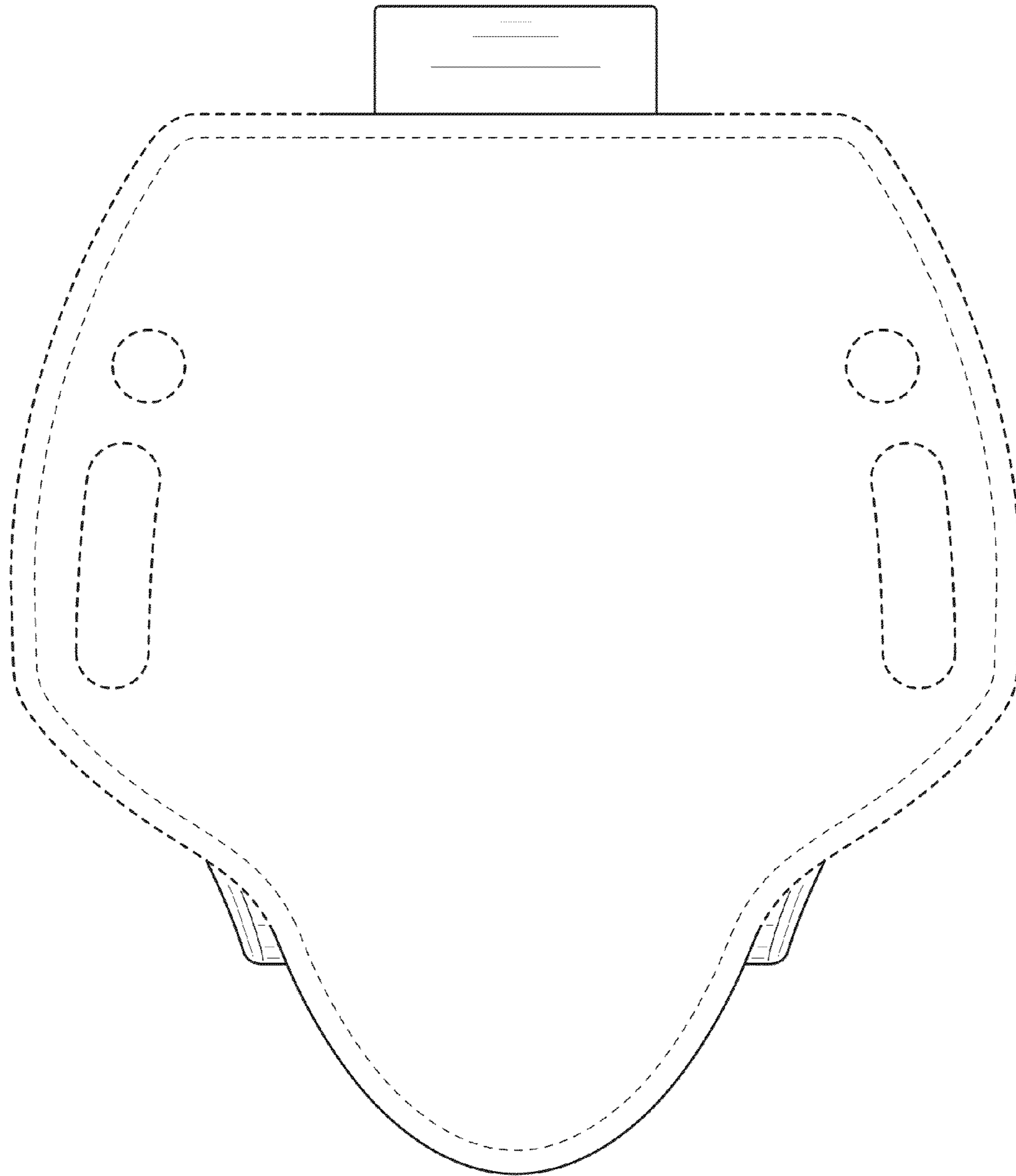


FIG. 3

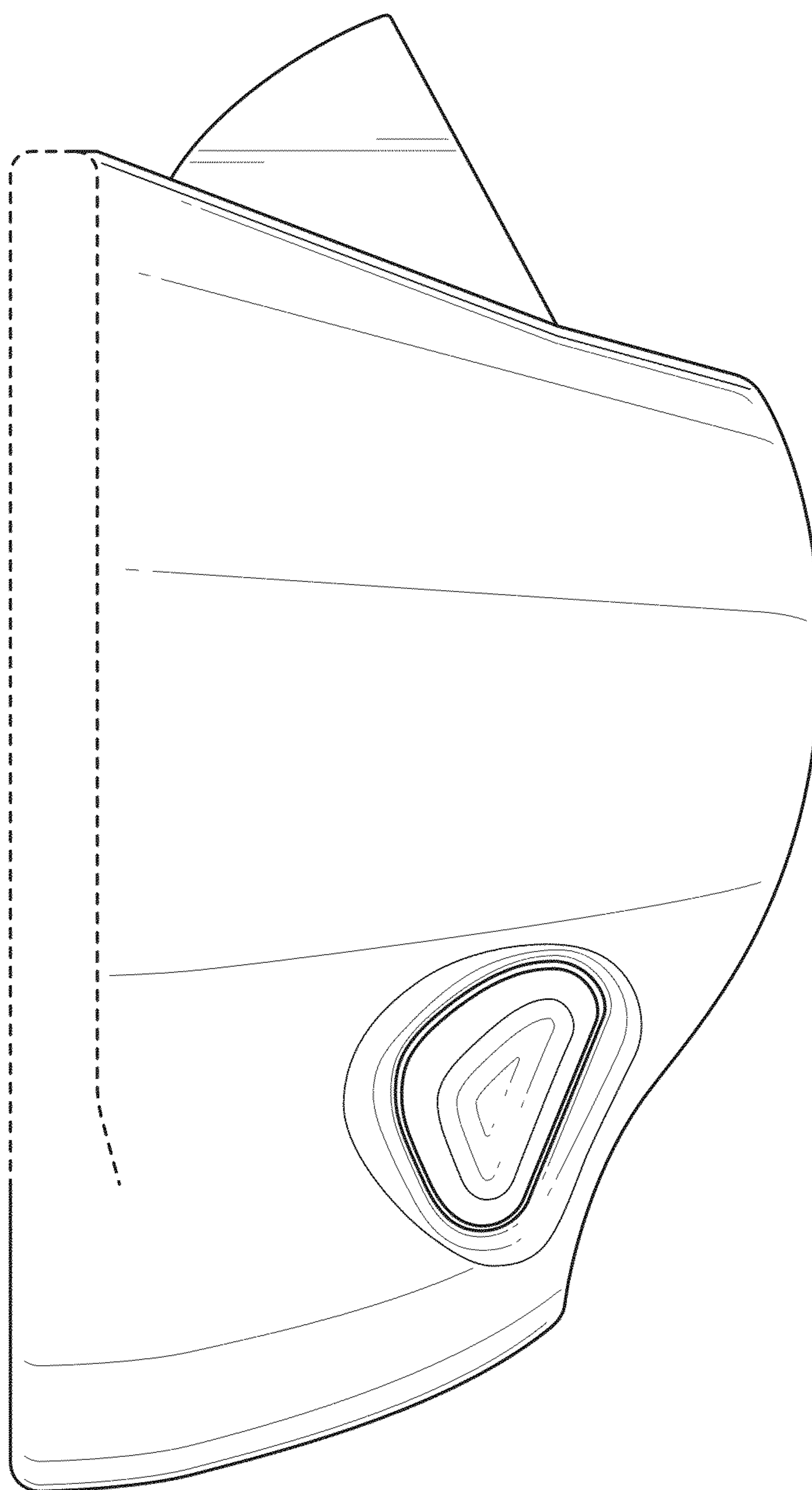


FIG. 4

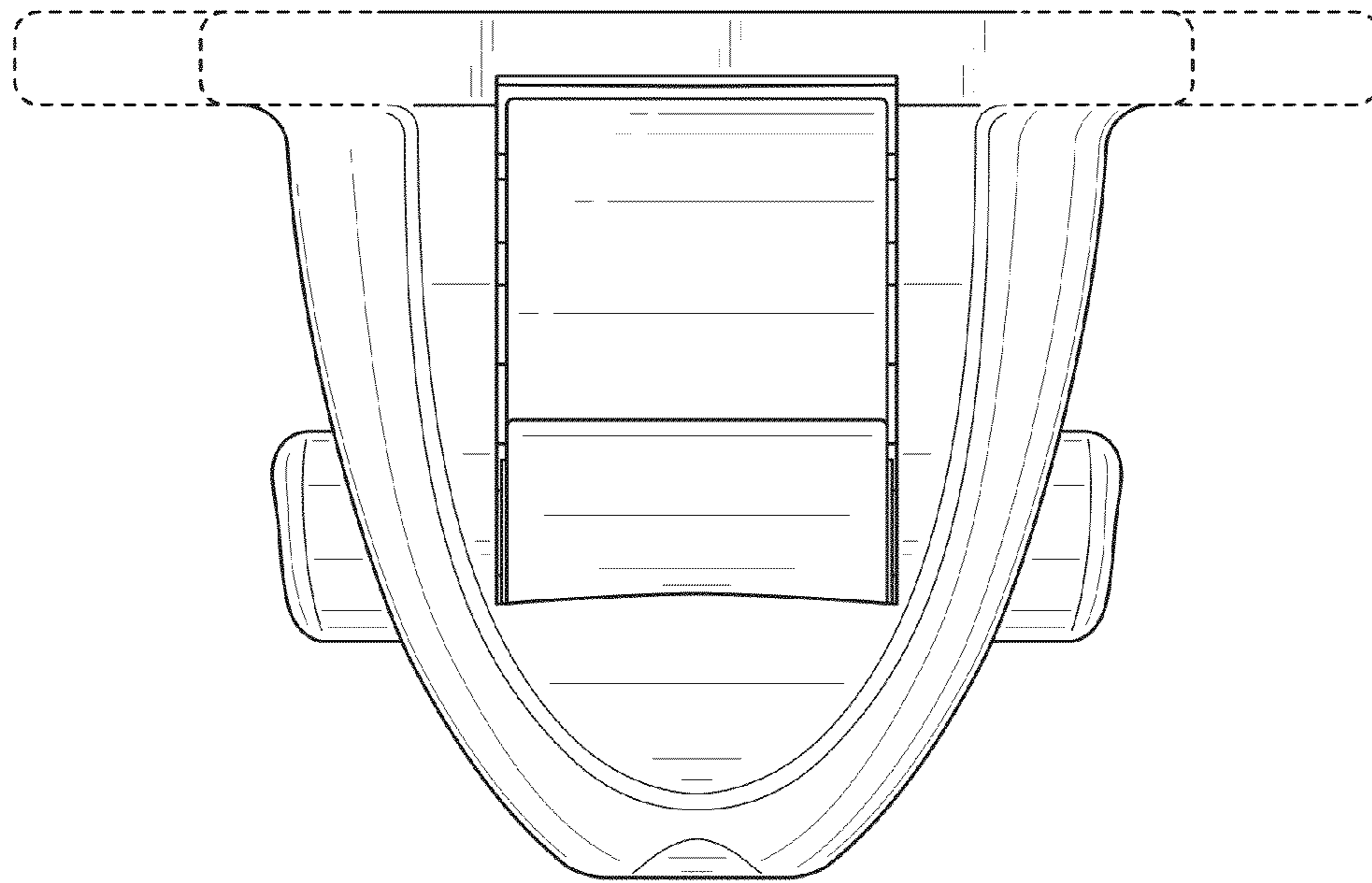


FIG. 5

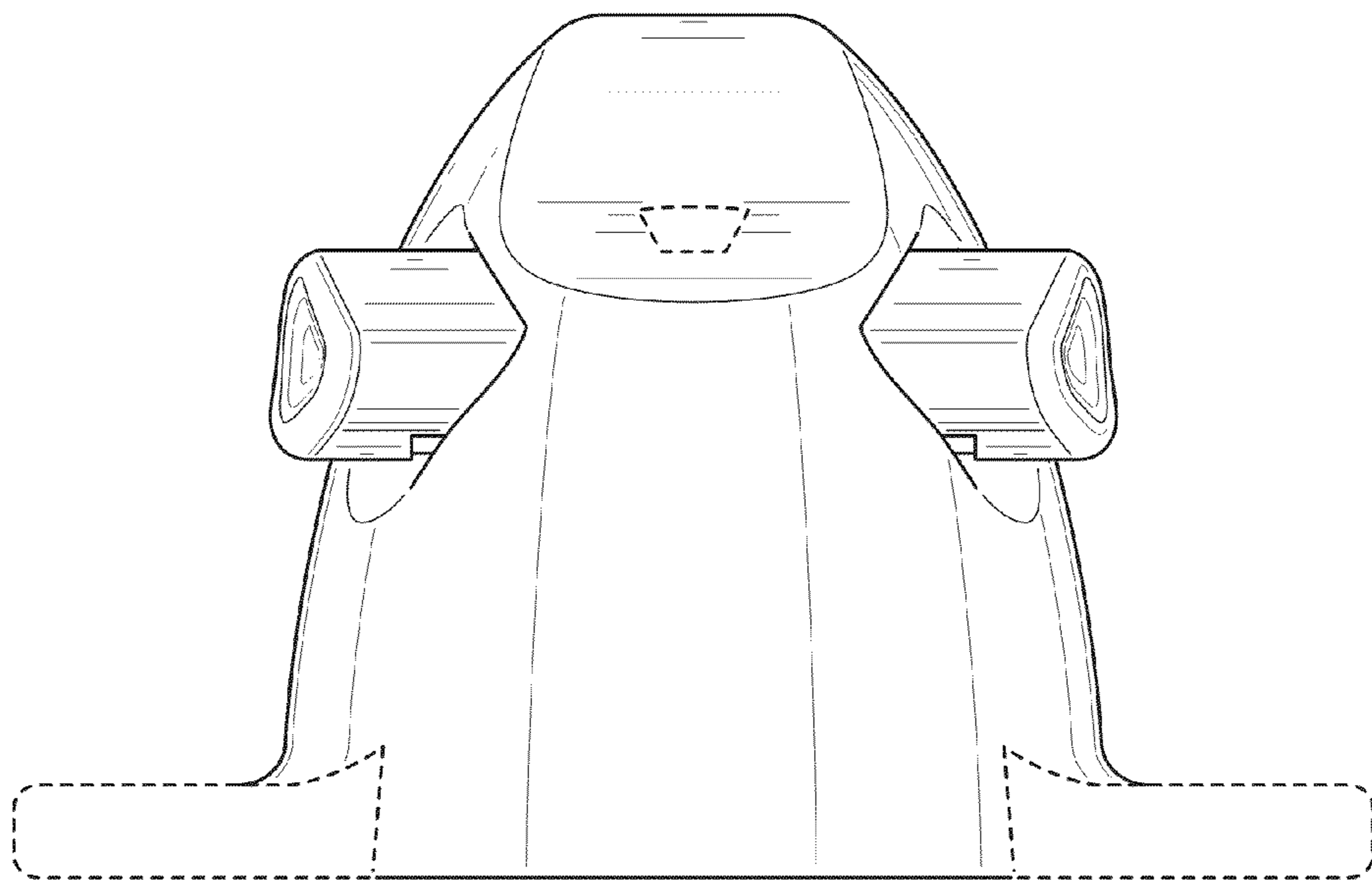


FIG. 6