



US00D721568S

(12) **United States Design Patent**  
**Cantwell et al.**

(10) **Patent No.:** **US D721,568 S**

(45) **Date of Patent:** **\*\* Jan. 27, 2015**

(54) **LATCHING MECHANISM FOR AN ANIMAL ENCLOSURE**

(71) Applicant: **Mid-West Metal Products Co., Inc.**,  
Muncie, IN (US)

(72) Inventors: **Brad Cantwell**, Muncie, IN (US); **Stew Kerr**, Muncie, IN (US); **Michael E. Greene**, Muncie, IN (US); **Terrance L. Jones**, Muncie, IN (US)

(73) Assignee: **Mid-West Metal Products Co., Inc.**,  
Muncie, IN (US)

(\*\*) Term: **14 Years**

(21) Appl. No.: **29/456,997**

(22) Filed: **Jun. 6, 2013**

(51) **LOC (10) Cl.** ..... **08-07**

(52) **U.S. Cl.**  
USPC ..... **D8/331**; D30/119

(58) **Field of Classification Search**  
USPC ..... D30/108-109, 112-117, 119; D8/331,  
D8/339, 394-395; 119/452-453, 459, 467,  
119/473-475, 481, 484-485, 501, 537, 700,  
119/702-704, 706-707, 843, 847, 461-462,  
119/480, 482, 498; 292/74, 101, 106, 120,  
292/128, 145, 150, 175, 277, 302  
See application file for complete search history.

(56) **References Cited**

**U.S. PATENT DOCUMENTS**

230,795 A \* 8/1880 Maxheimer ..... 119/459  
D28,052 S \* 12/1897 Bonshire ..... D8/394

1,469,595 A \* 10/1923 Hick ..... D8/394  
1,825,504 A \* 9/1931 Carr ..... 119/481  
D218,874 S \* 9/1970 Whittaker ..... D8/395  
3,556,058 A \* 1/1971 Smiler ..... 119/474  
D230,707 S \* 3/1974 McGowan ..... D8/395  
D235,125 S \* 5/1975 Schlachter ..... D8/395  
5,373,810 A \* 12/1994 Martin ..... 119/459  
D384,443 S \* 9/1997 Olfert ..... D30/119  
6,230,655 B1 \* 5/2001 Cohen et al. .... 119/452  
6,681,720 B1 \* 1/2004 Skurdalsvold et al. .... 119/474  
D493,689 S \* 8/2004 Vito ..... D8/331  
6,883,463 B2 \* 4/2005 Link ..... 119/474  
7,918,188 B1 \* 4/2011 Harper ..... 119/481  
8,210,127 B2 \* 7/2012 Kaneda et al. .... 119/481  
D690,474 S \* 9/2013 Cantwell et al. .... D30/119  
D695,588 S \* 12/2013 Cantwell et al. .... D8/331

\* cited by examiner

*Primary Examiner* — Cathy A MacCormac

(74) *Attorney, Agent, or Firm* — Taft Stettinius & Hollister,  
LLP; Stephen F. Rost

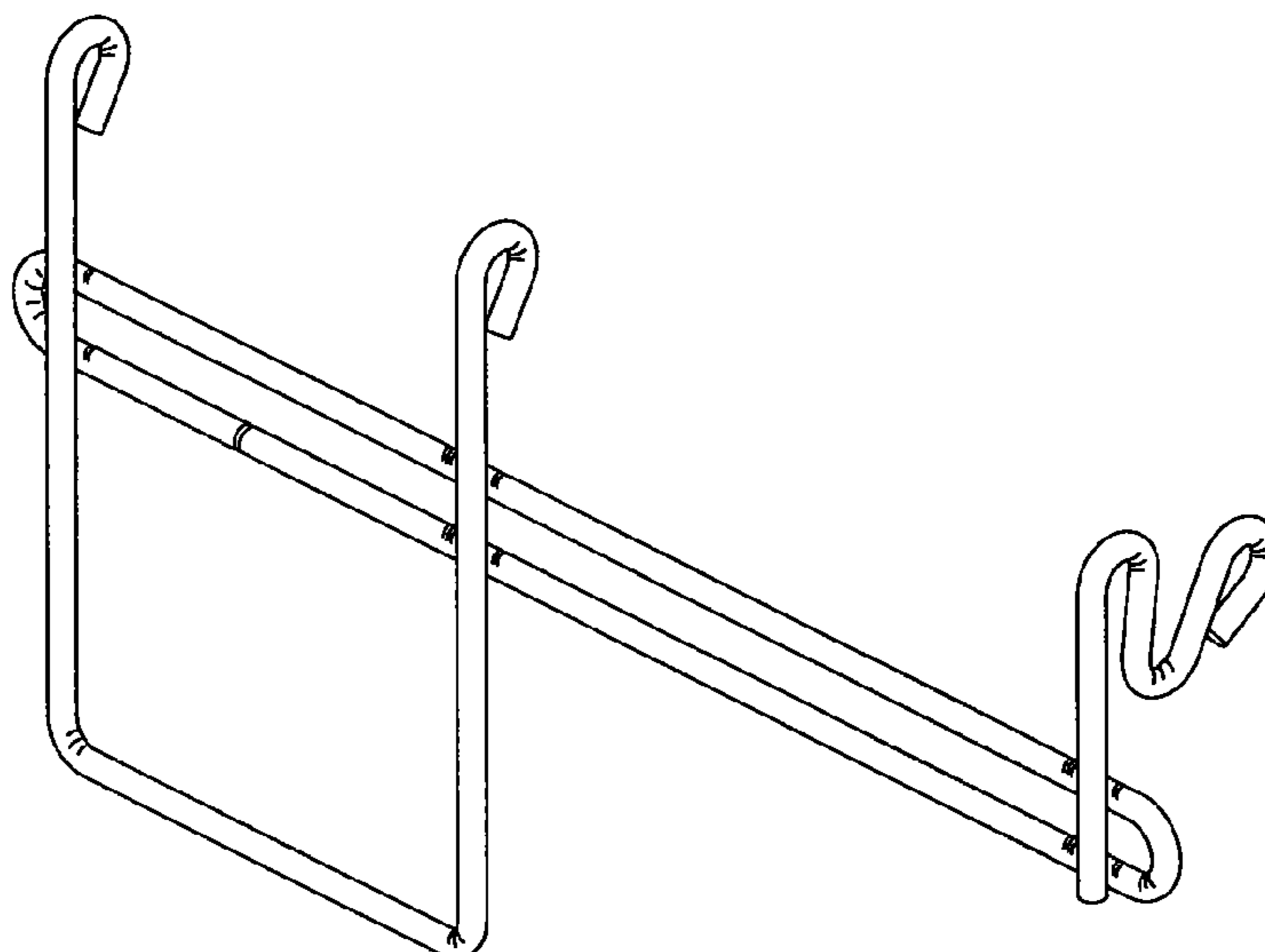
(57) **CLAIM**

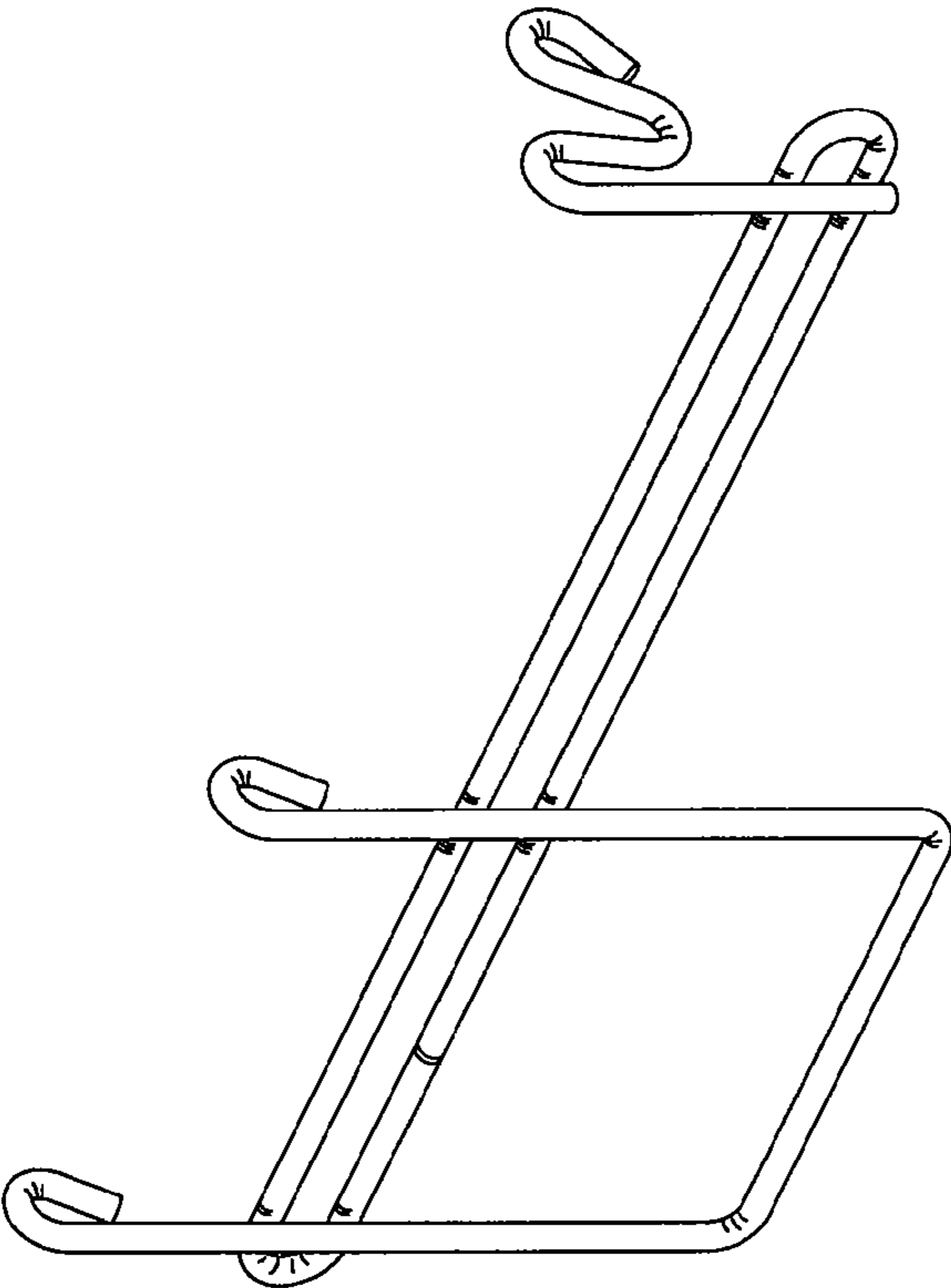
The ornamental design for a latching mechanism for an animal enclosure, as shown and described.

**DESCRIPTION**

FIG. 1 is a perspective view of a latching mechanism for an animal enclosure that illustrates the novel design;  
FIG. 2 is a front view thereof;  
FIG. 3 is a top view thereof;  
FIG. 4 is a bottom view thereof;  
FIG. 5 is a left side view thereof;  
FIG. 6 is a right side view thereof; and,  
FIG. 7 is a back view thereof.

**1 Claim, 7 Drawing Sheets**





**FIGURE 1**

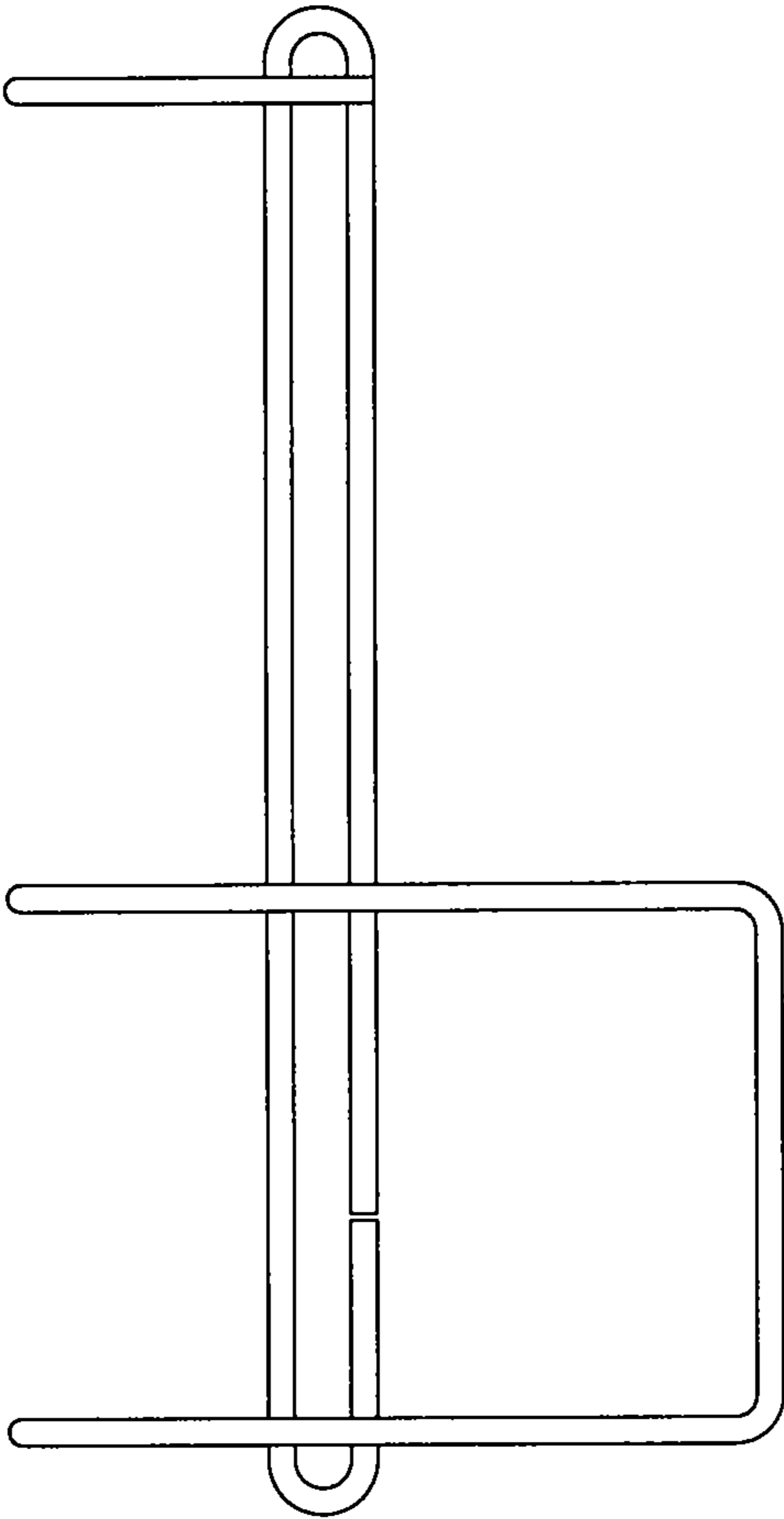


FIGURE 2

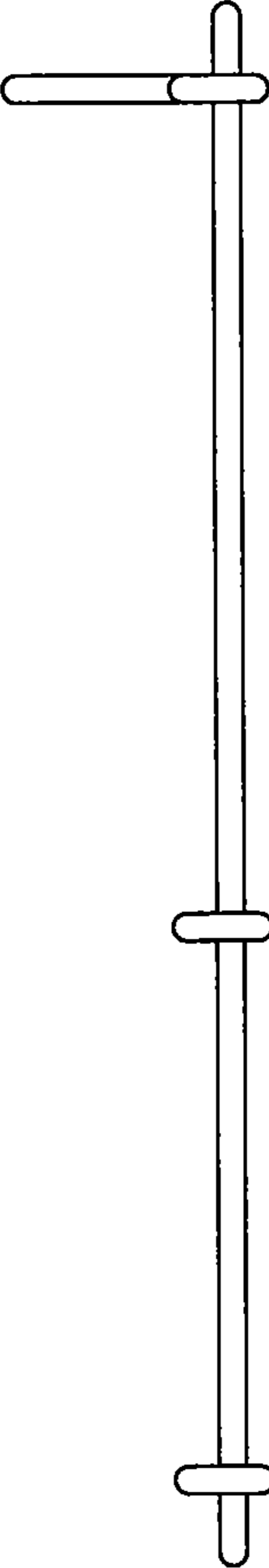
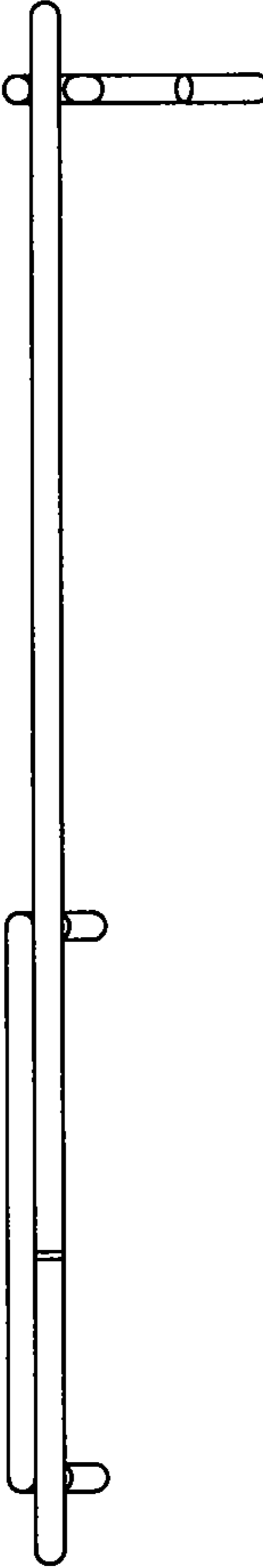
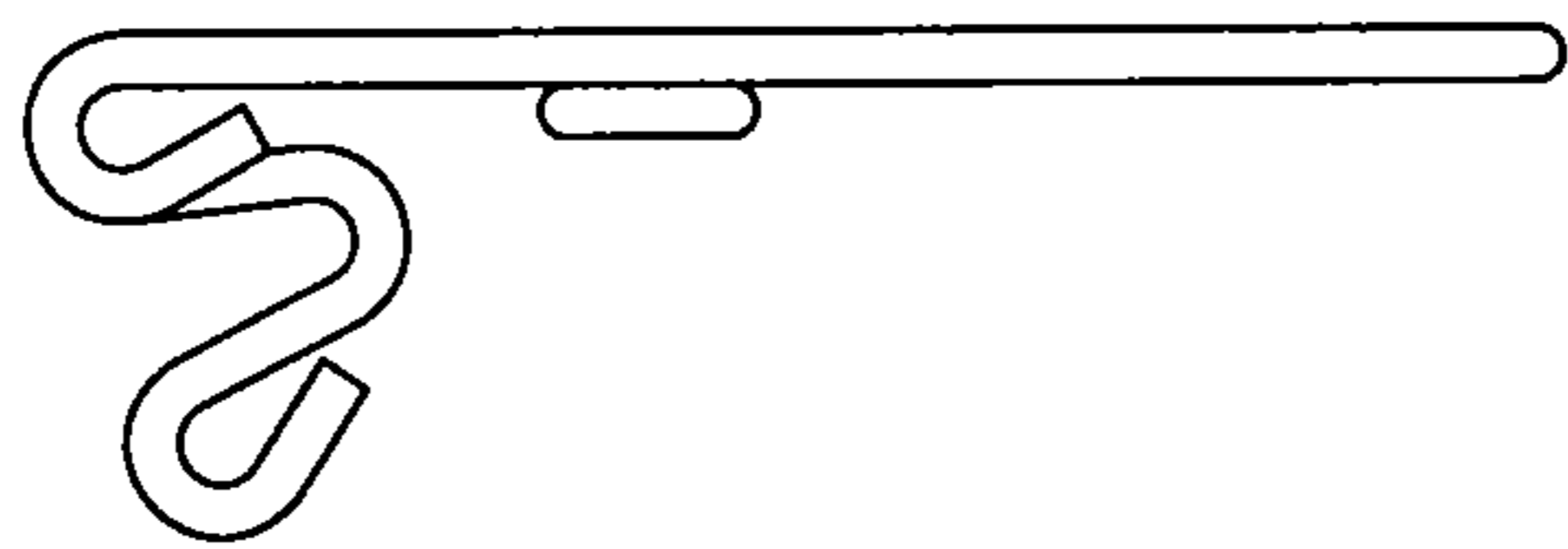


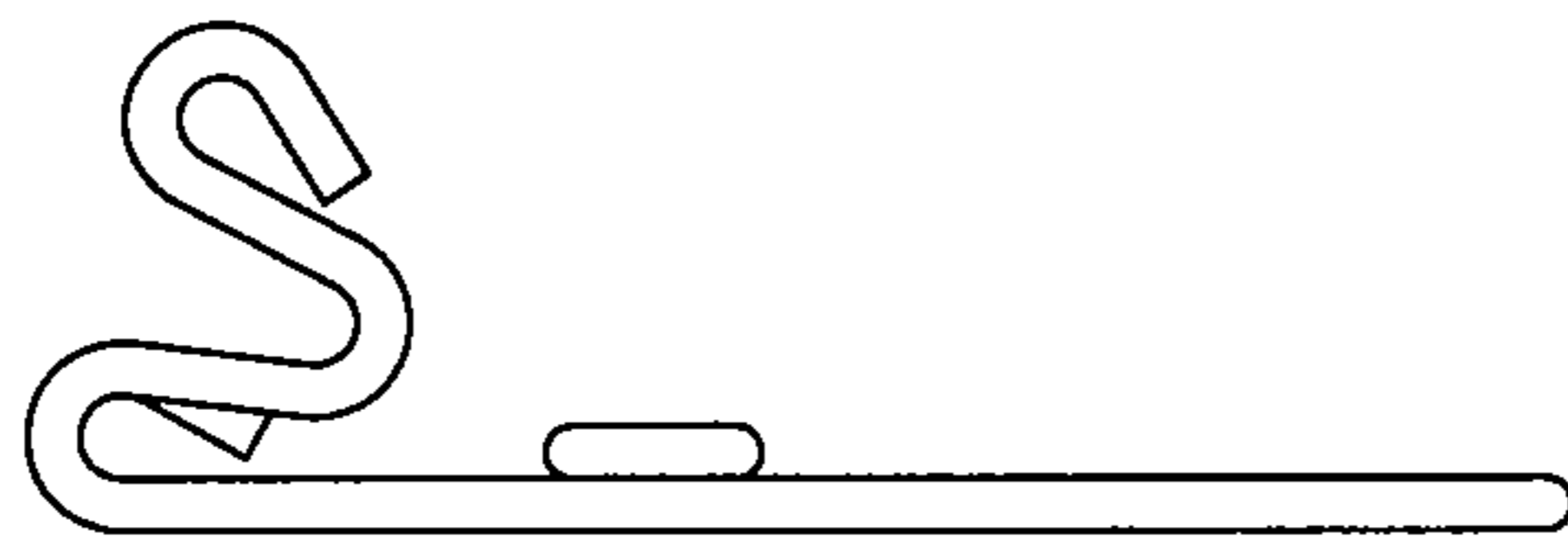
FIGURE 3



**FIGURE 4**



**FIGURE 5**



**FIGURE 6**

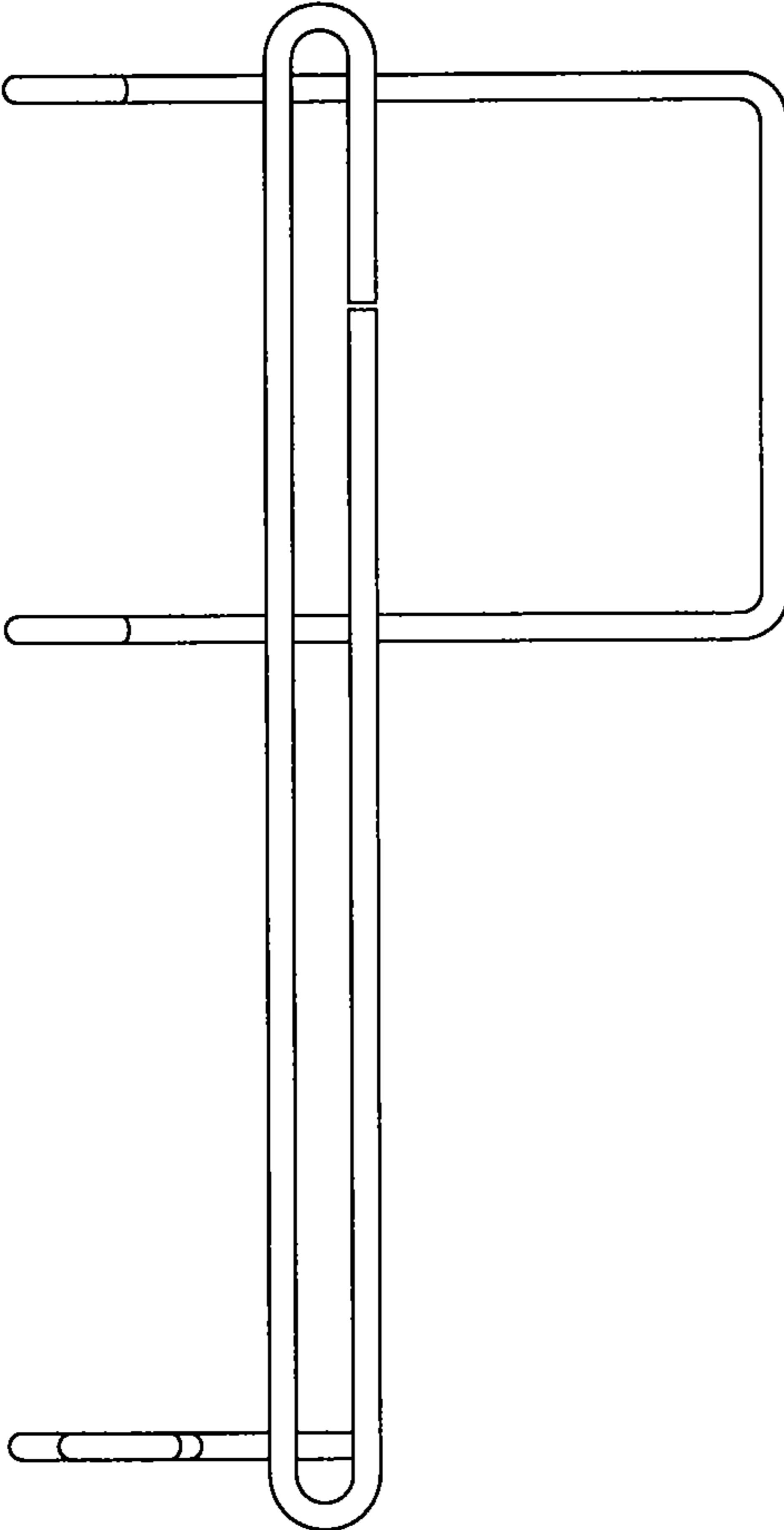


FIGURE 7