



US00D721566S

(12) **United States Design Patent**  
**Lin**

(10) **Patent No.:** **US D721,566 S**  
(45) **Date of Patent:** **\*\* Jan. 27, 2015**

(54) **TOOL HANDLE**

(71) Applicant: **Cheng Chuan Lin**, Xiamen (CN)

(72) Inventor: **Cheng Chuan Lin**, Xiamen (CN)

(\*\*) Term: **14 Years**

(21) Appl. No.: **29/435,332**

(22) Filed: **Oct. 23, 2012**

(30) **Foreign Application Priority Data**

Jul. 25, 2012 (CN) ..... 2012 3 0339533

(51) **LOC (10) CI.** ..... **08-05**

(52) **U.S. CI.**  
USPC ..... **D8/107**

(58) **Field of Classification Search**  
USPC ..... D8/14.1, 29.1, 29.2, 30, 51, 68, 107;  
219/227, 228, 229, 230, 238, 241, 248,  
219/497; 222/146.5

See application file for complete search history.

(56) **References Cited**

**U.S. PATENT DOCUMENTS**

D225,607 S \* 12/1972 Insolio ..... D8/51  
D405,883 S \* 2/1999 Emerson et al. .... D24/133  
D406,996 S \* 3/1999 Matthes ..... D8/50

D469,670 S \* 2/2003 Belanger ..... D8/30  
D526,550 S \* 8/2006 Aglassinger ..... D8/68  
D581,052 S \* 11/2008 Root et al. .... D24/138  
D681,419 S \* 5/2013 Patterson et al. .... D8/107  
2003/0150875 A1 \* 8/2003 Belanger ..... 222/146.5  
2008/0179309 A1 \* 7/2008 Markovsky et al. .... 219/229

\* cited by examiner

*Primary Examiner* — Stella Reid

*Assistant Examiner* — Khawaja Anwar

(74) *Attorney, Agent, or Firm* — Rabin & Berdo, P.C.

(57) **CLAIM**

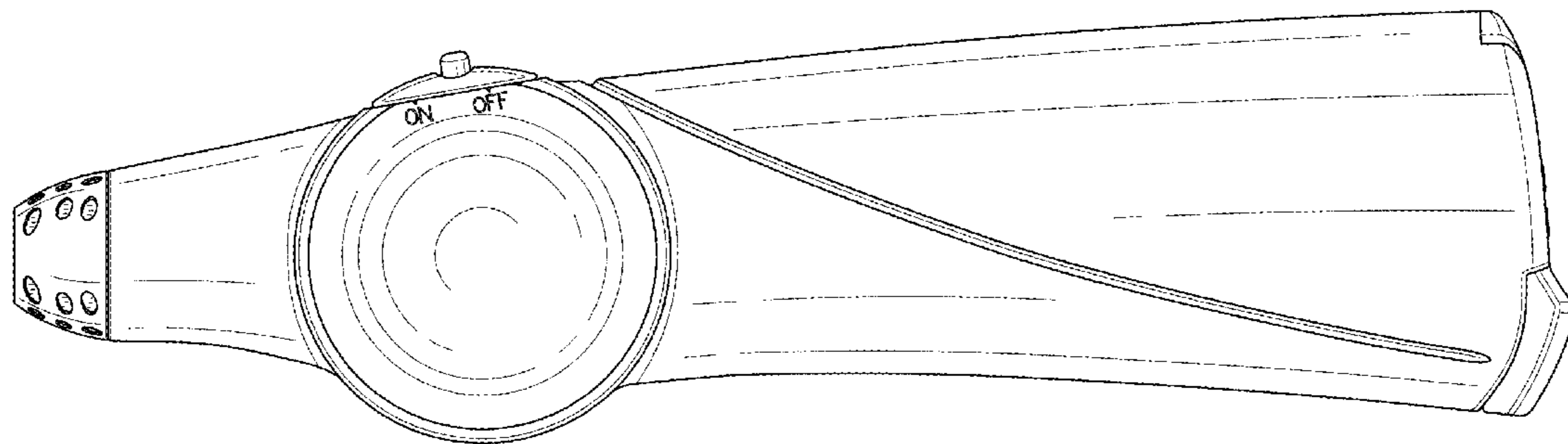
The ornamental design for a tool handle, as shown and described.

**DESCRIPTION**

FIG. 1 is a front view of a tool handle showing my new design;  
FIG. 2 is a rear view thereof;  
FIG. 3 is a left plan view thereof;  
FIG. 4 is the right view thereof;  
FIG. 5 is a top side view thereof;  
FIG. 6 is a bottom side view thereof; and,  
FIG. 7 is perspective view thereof.

The broken lines in the drawings are included to show unclaimed subject matter only and form no part of the claimed design.

**1 Claim, 4 Drawing Sheets**



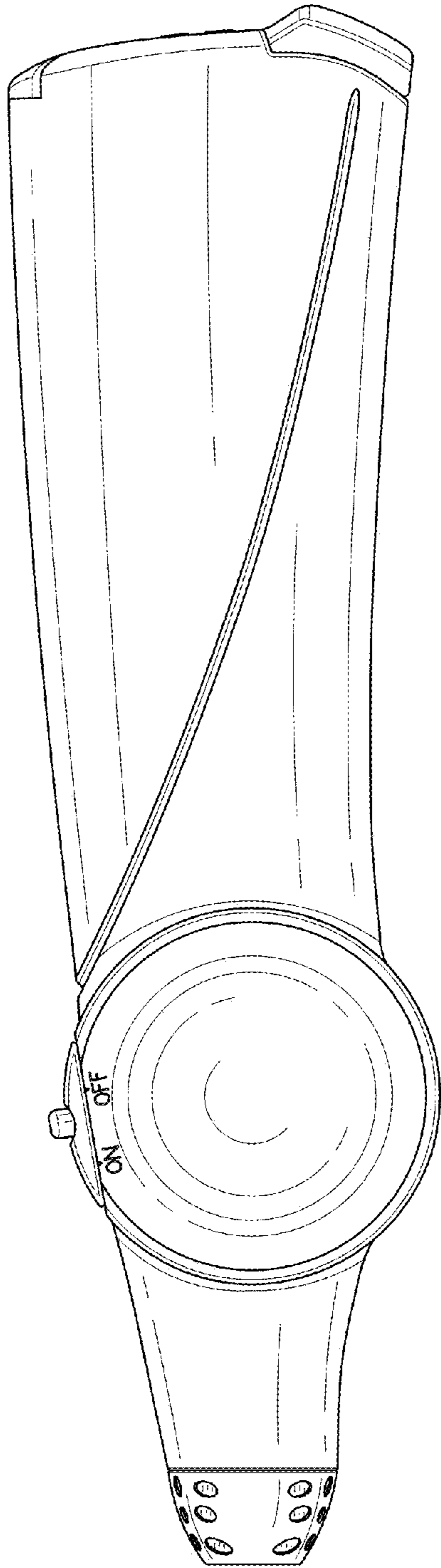


FIG. 1

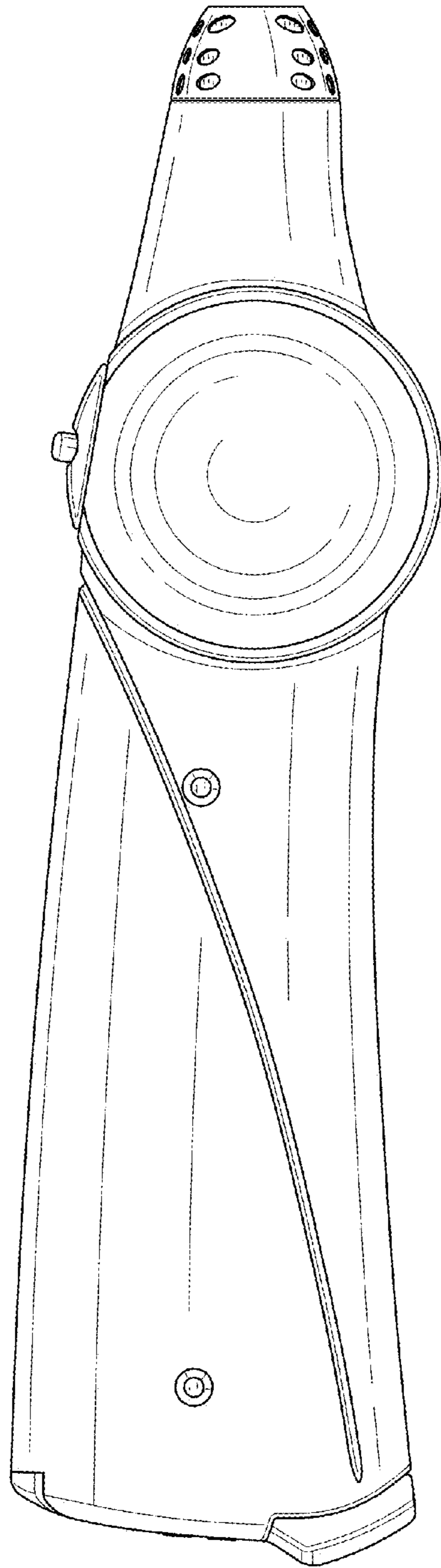


FIG. 2

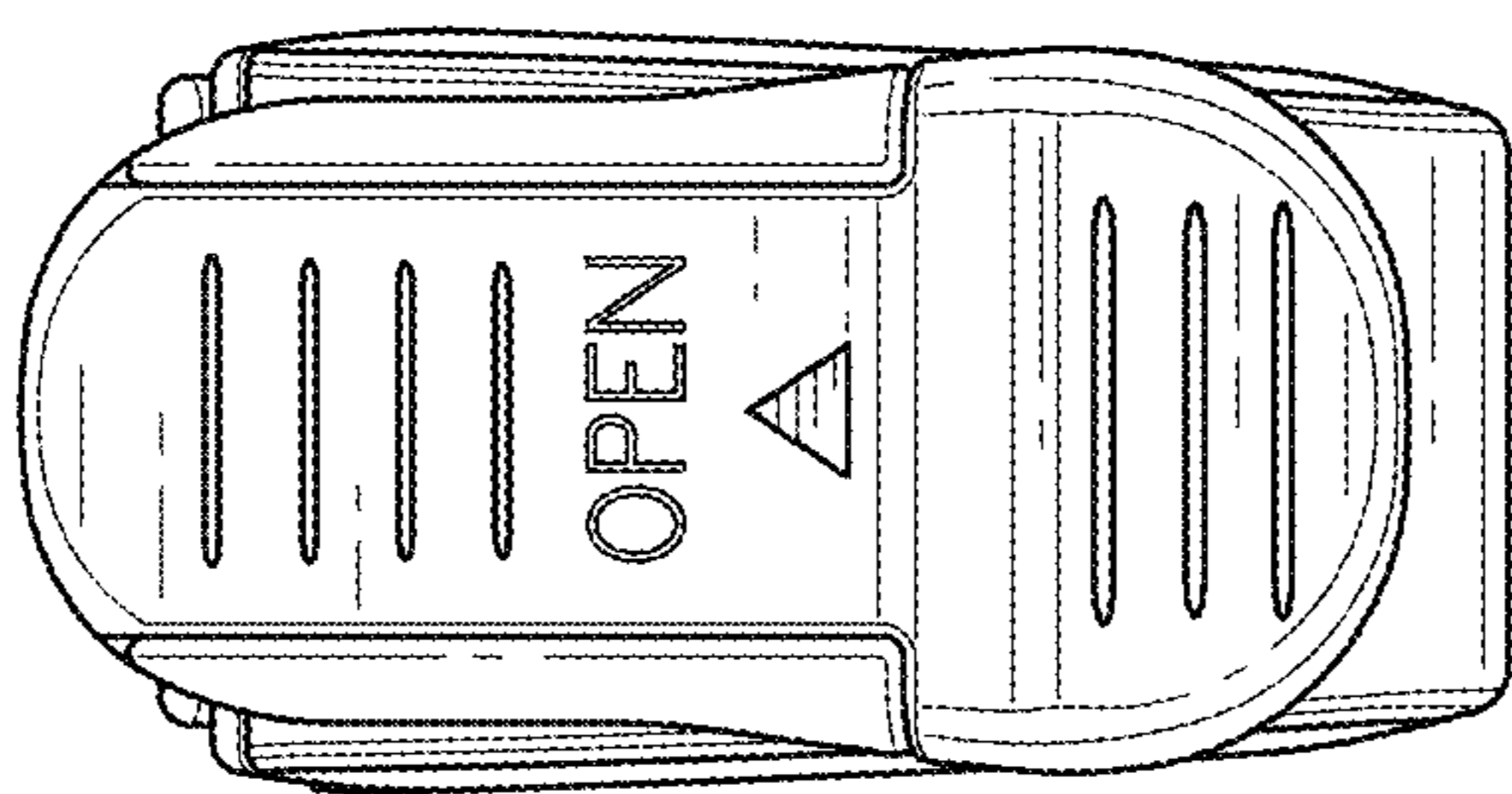


FIG. 4

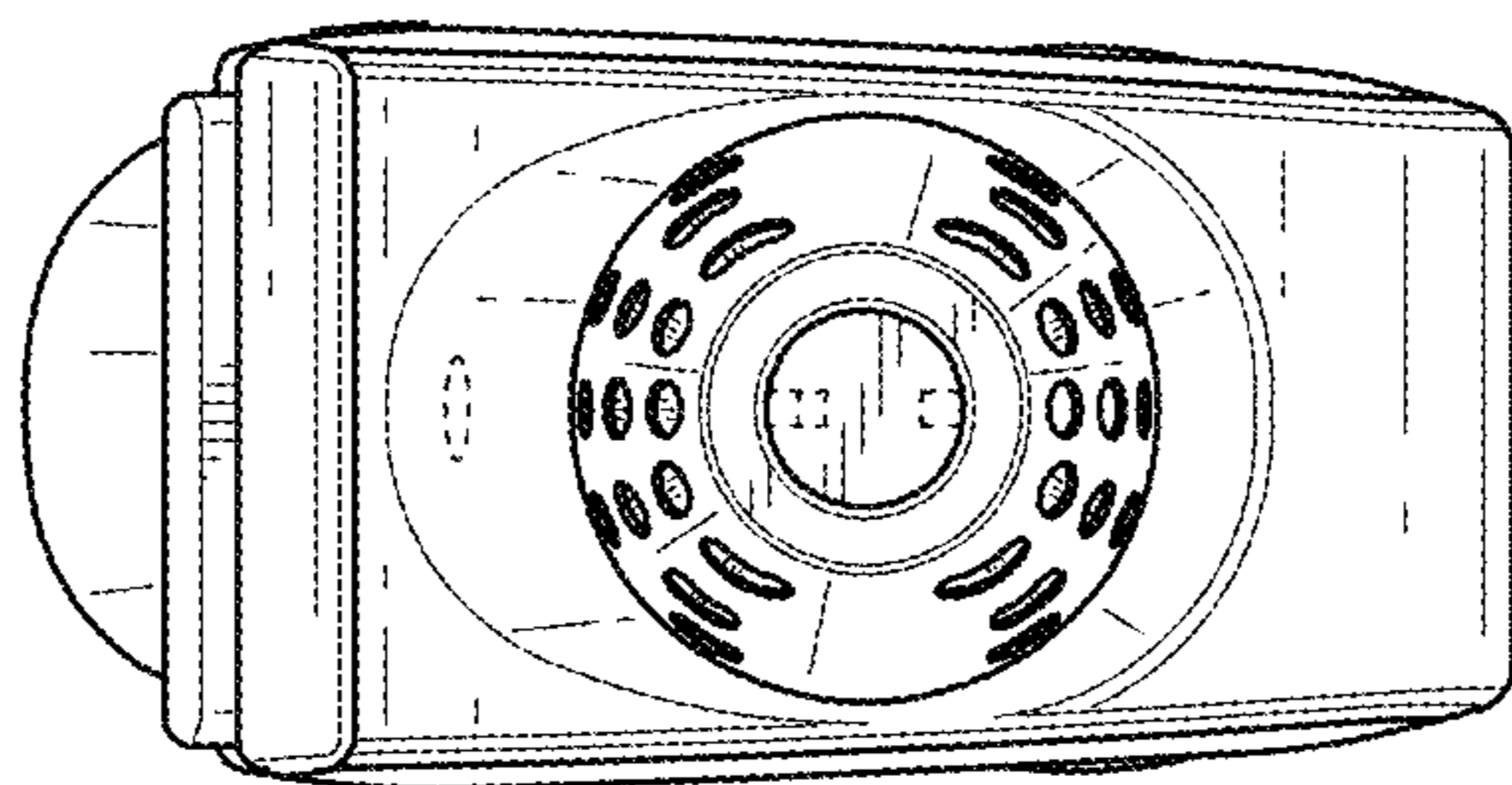


FIG. 3

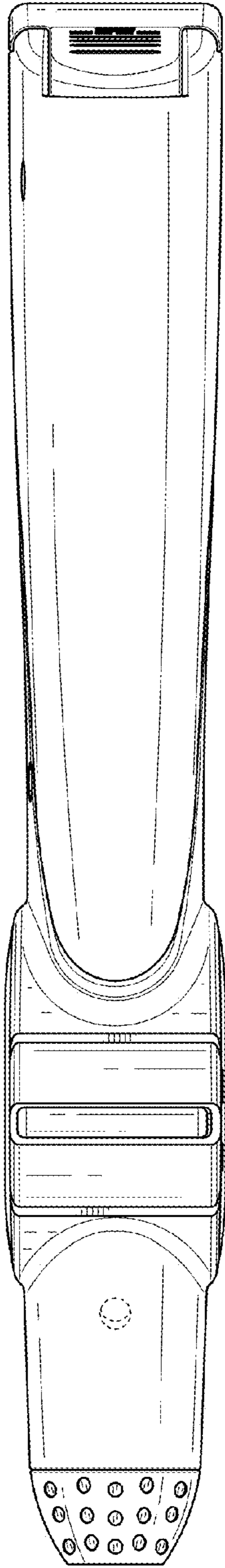


FIG. 5

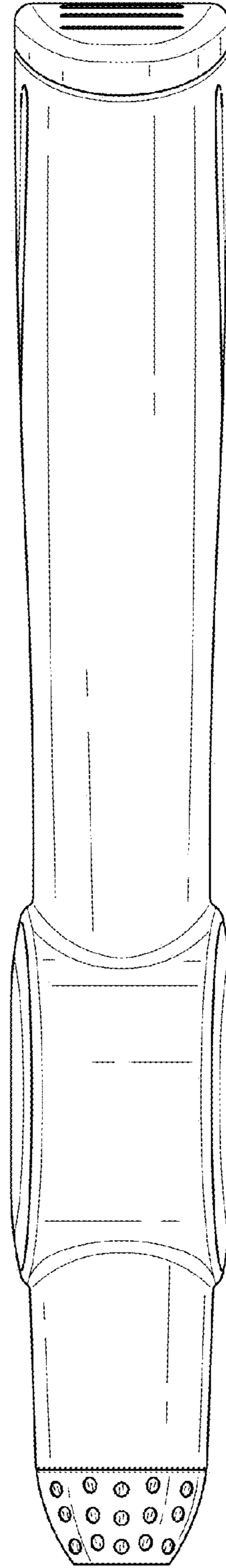


FIG. 6

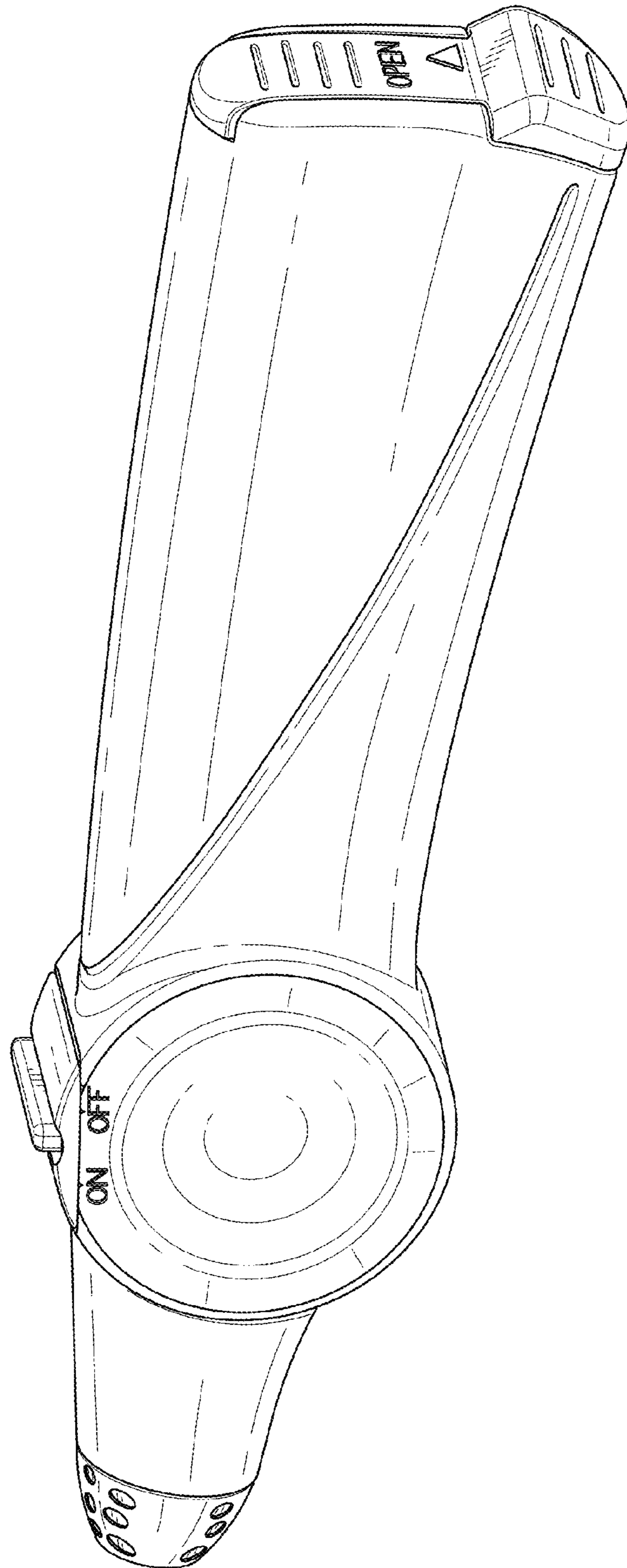


FIG. 7