



US00D721563S

(12) **United States Design Patent**
Zagula

(10) **Patent No.:** **US D721,563 S**
(45) **Date of Patent:** **** Jan. 27, 2015**

(54) **SEMI-CON SCORING TOOL**

(75) Inventor: **Tadeusz Zagula**, Newington, CT (US)

(73) Assignee: **Ripley Tools, LLC**, Cromwell, CT (US)

(**) Term: **14 Years**

(21) Appl. No.: **29/422,100**

(22) Filed: **May 16, 2012**

(51) **LOC (10) Cl.** **08-03**

(52) **U.S. Cl.**
USPC **D8/98**

(58) **Field of Classification Search**
USPC D8/14, 49, 51, 98; 30/90.1, 90.3, 90.4,
30/90.6-90.9; 81/9.4, 9.41-9.44; 83/861
See application file for complete search history.

(56) **References Cited**

U.S. PATENT DOCUMENTS

3,722,092	A *	3/1973	Lukas	30/90.9
4,945,788	A *	8/1990	Matthews	81/9.4
5,979,286	A *	11/1999	Burth	83/861
D477,521	S *	7/2003	Tarpill et al.	D8/98
6,615,493	B2 *	9/2003	Shevela	30/90.1
6,895,671	B1 *	5/2005	Belew et al.	30/90.4
D649,847	S	12/2011	Zagula		
2009/0013535	A1 *	1/2009	Derancourt	30/90.6
2013/0042483	A1 *	2/2013	Ducret	30/90.7

OTHER PUBLICATIONS

Speed Systems Catalog, Speed Systems, Inc., web page "<http://www.spdsystems.com/Content/Docs/SpeedSystemsCatalog.pdf>", Jul. 16, 2011.

Intercable Catalog, Intercable, web page "<http://2.imimg.com/data2/LD/CJ/MY-1884775/cable-strippers-cable-cutters-and-scissors.pdf>", Jan. 9, 2008.

* cited by examiner

Primary Examiner — Susan Krakower

Assistant Examiner — Roselynn Cody

(74) *Attorney, Agent, or Firm* — DeLio, Peterson & Curcio LLC; Thomas E. Ciesco

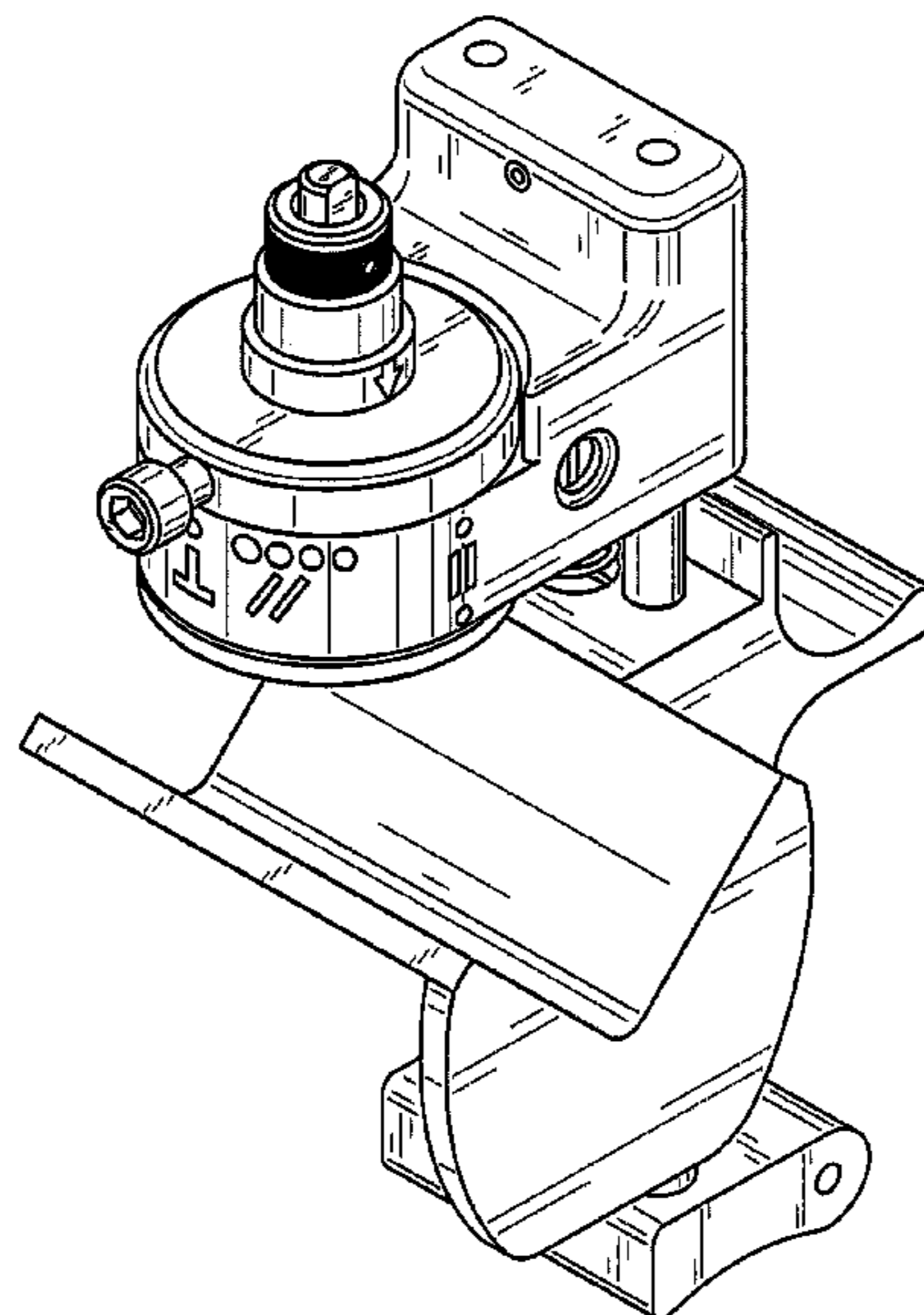
(57) **CLAIM**

I claim the ornamental design for a semi-con scoring tool, as shown and described.

DESCRIPTION

FIG. 1 is a front right top perspective view of a semi-con scoring tool design according to my invention;
 FIG. 2 is a back right top perspective view of the semi-con scoring tool design shown in FIG. 1;
 FIG. 3 is a front right bottom perspective view of the semi-con scoring tool shown in FIG. 1;
 FIG. 4 is a back right bottom perspective view of the semi-con scoring tool shown in FIG. 1;
 FIG. 5 is a front elevational view of the semi-con scoring tool shown in FIG. 1;
 FIG. 6 is a back elevational view of the semi-con scoring tool shown in FIG. 1;
 FIG. 7 is a top elevational view of the semi-con scoring tool shown in FIG. 1;
 FIG. 8 is a right elevational view of the semi-con scoring tool shown in FIG. 1;
 FIG. 9 is a left elevational view of the semi-con scoring tool shown in FIG. 1;
 FIG. 10 is a bottom elevational view of the semi-con scoring tool shown in FIG. 1;
 FIG. 11 is a back left top perspective view of the semi-con scoring tool shown in FIG. 1; and,
 FIG. 12 is a front left top perspective view of the semi-con scoring tool shown in FIG. 1.
 The solid black surface shading in FIGS. 1-6, 8, 9, 11 and 12 indicated a feature of the semi-con scoring tool showing color contrast.

1 Claim, 12 Drawing Sheets



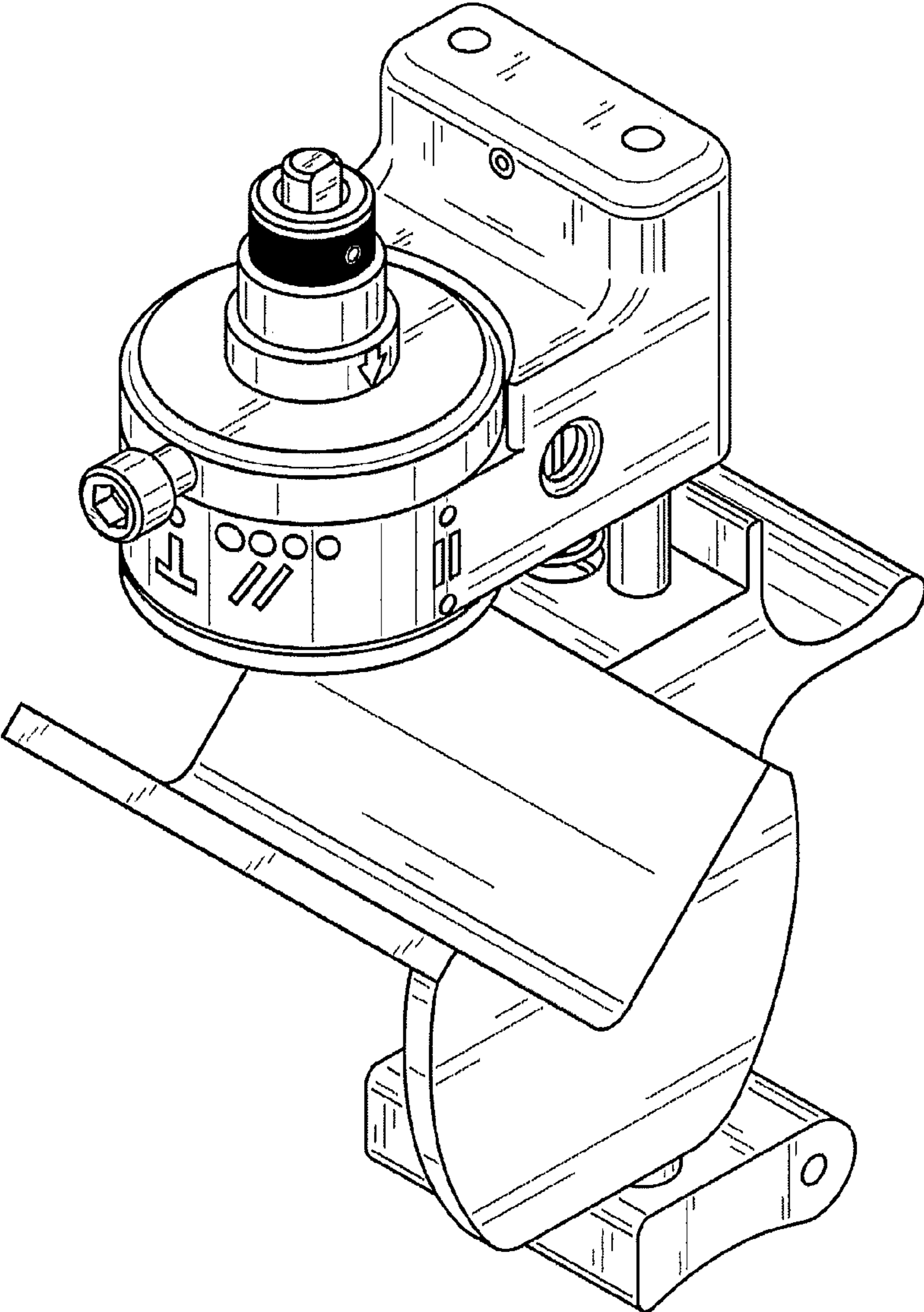


FIG. 1

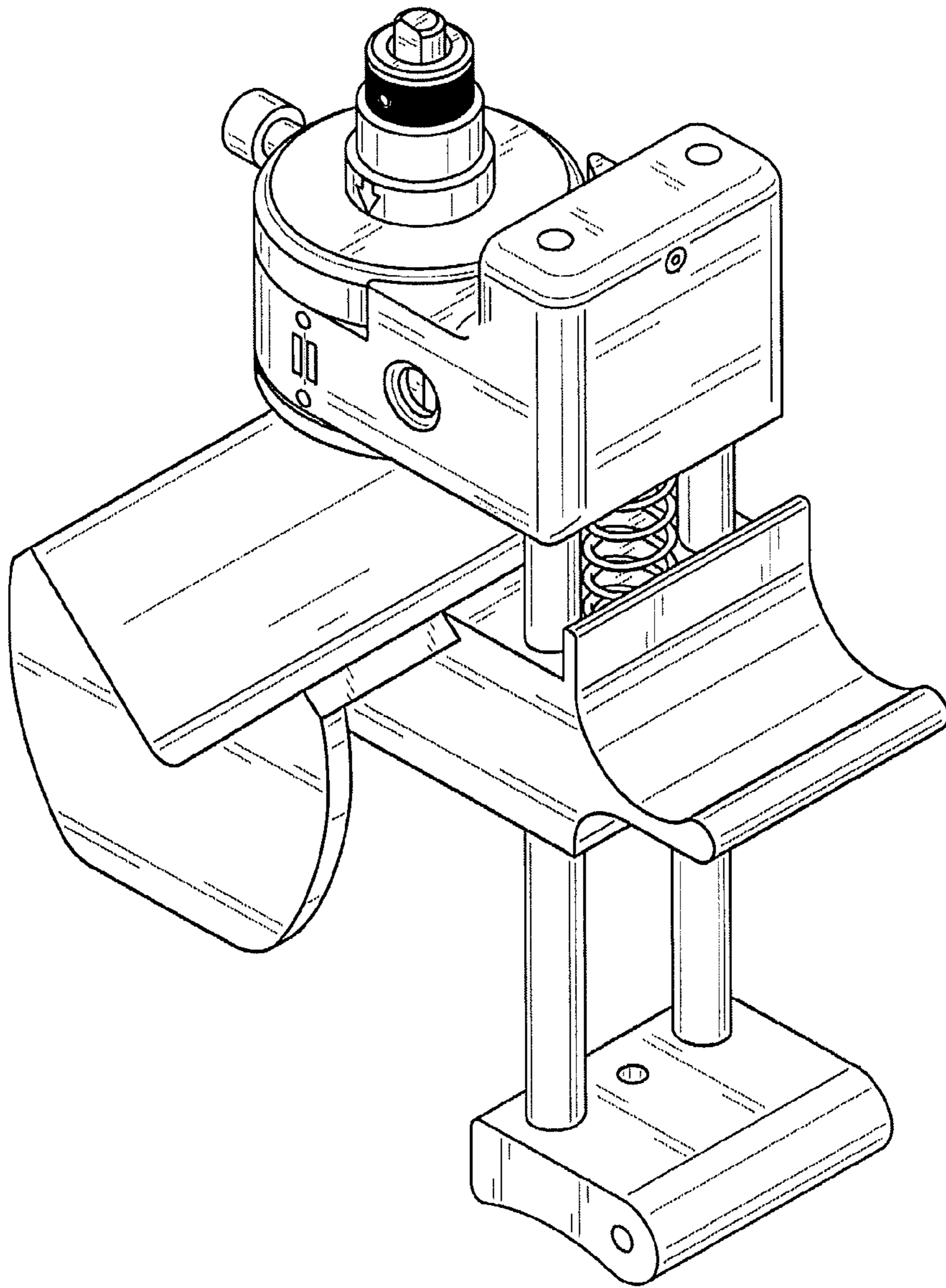


FIG. 2

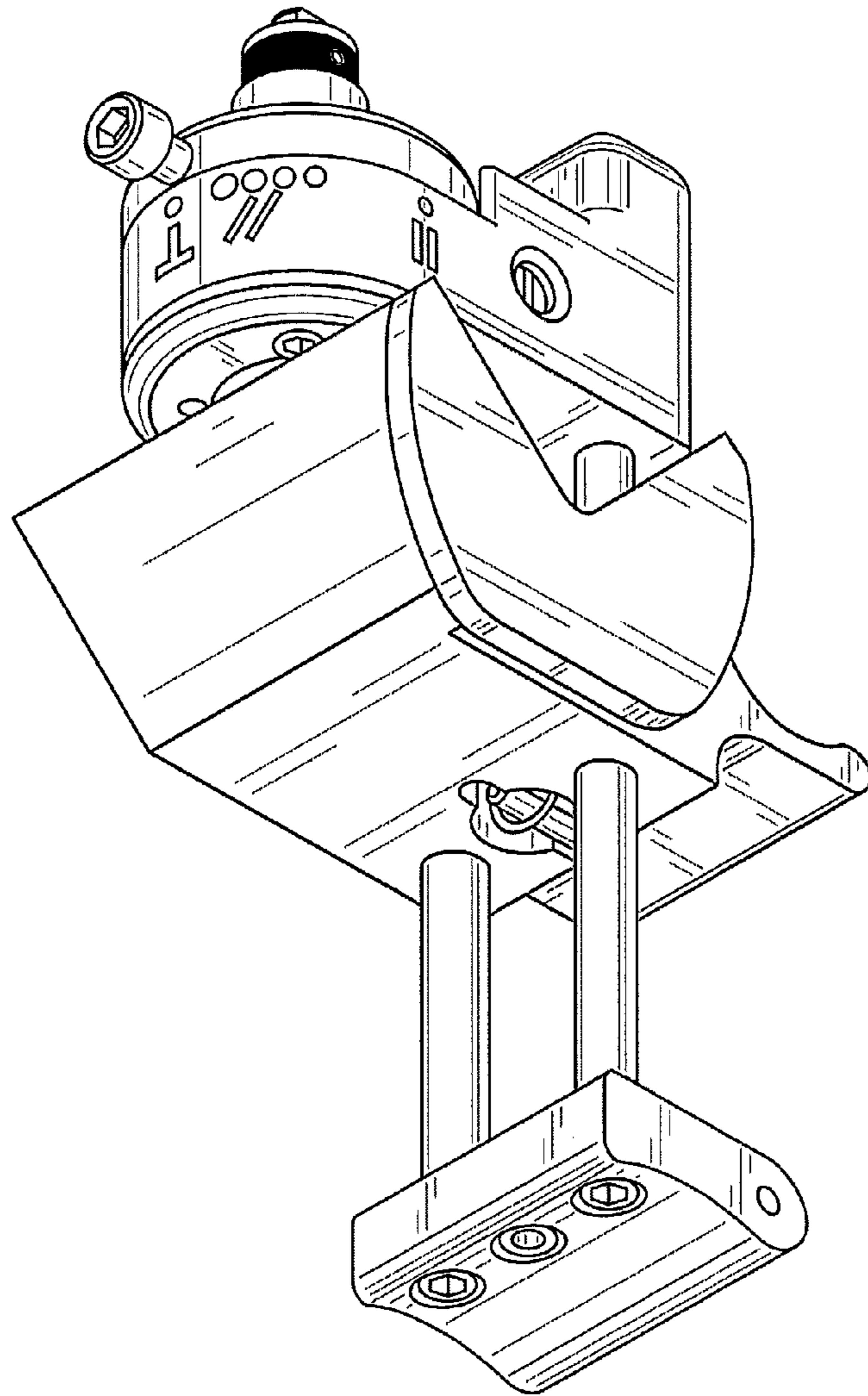


FIG. 3

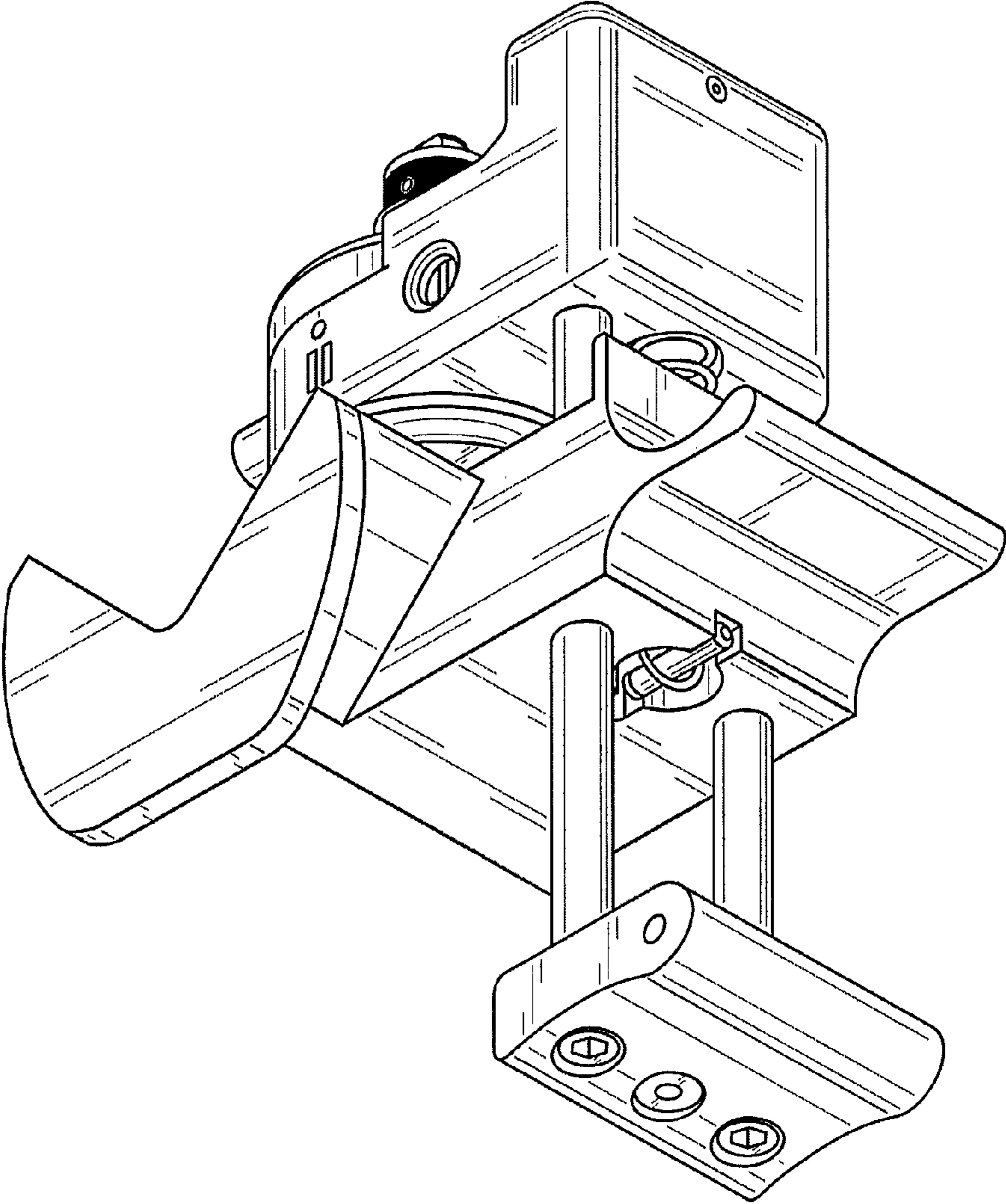


FIG. 4

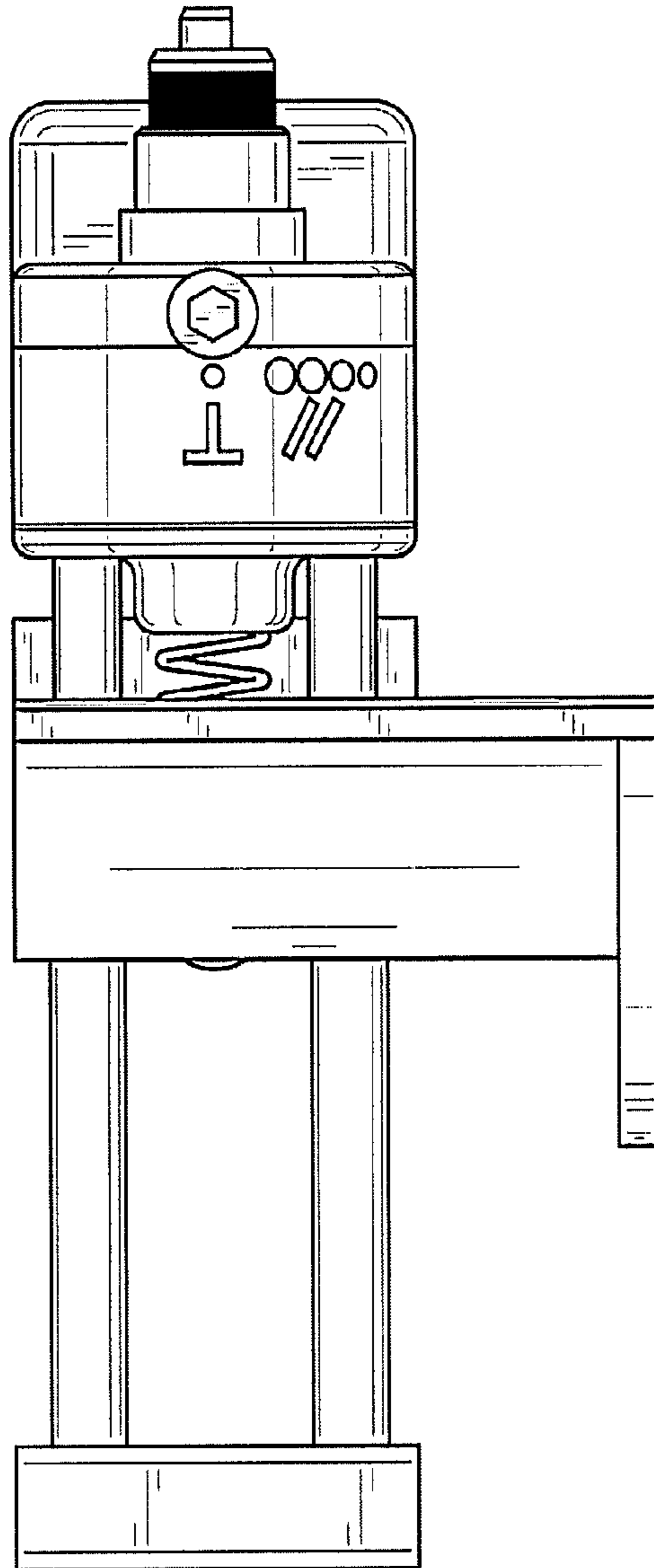


FIG. 5

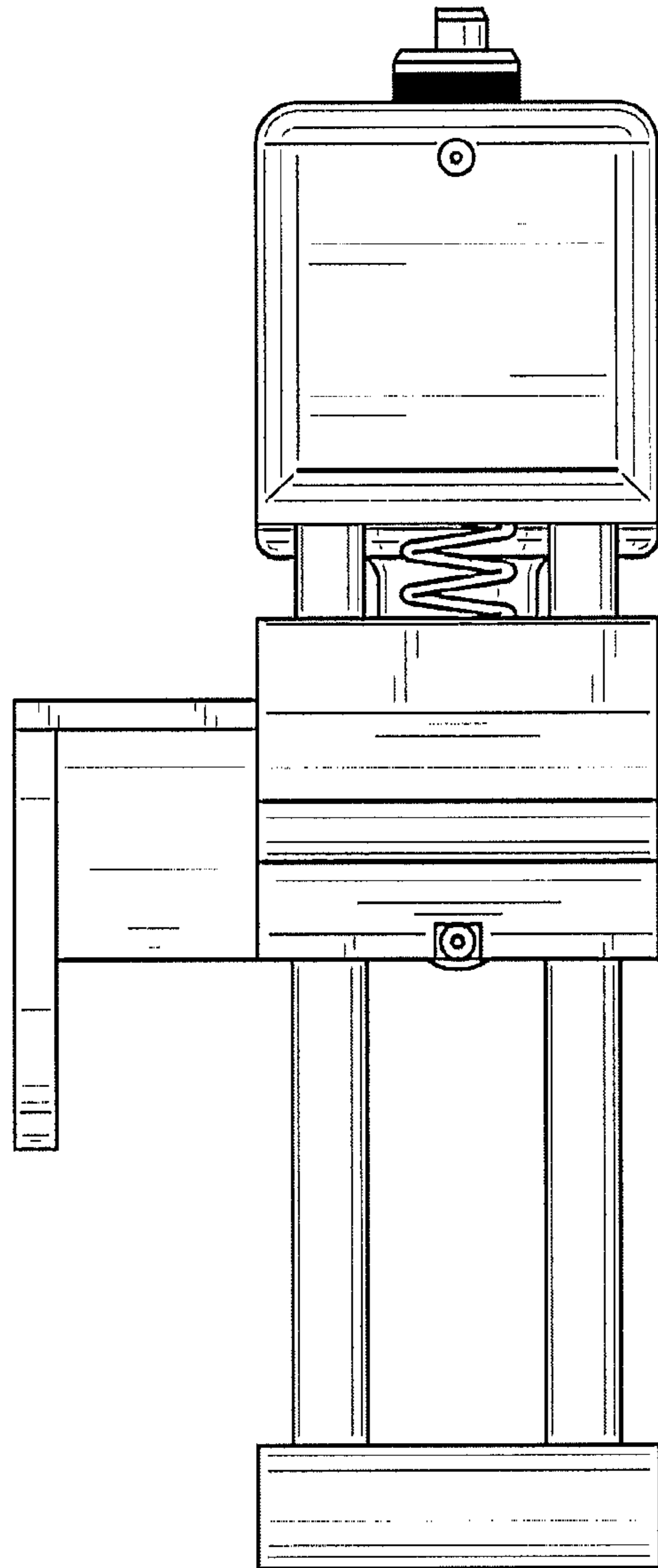


FIG. 6

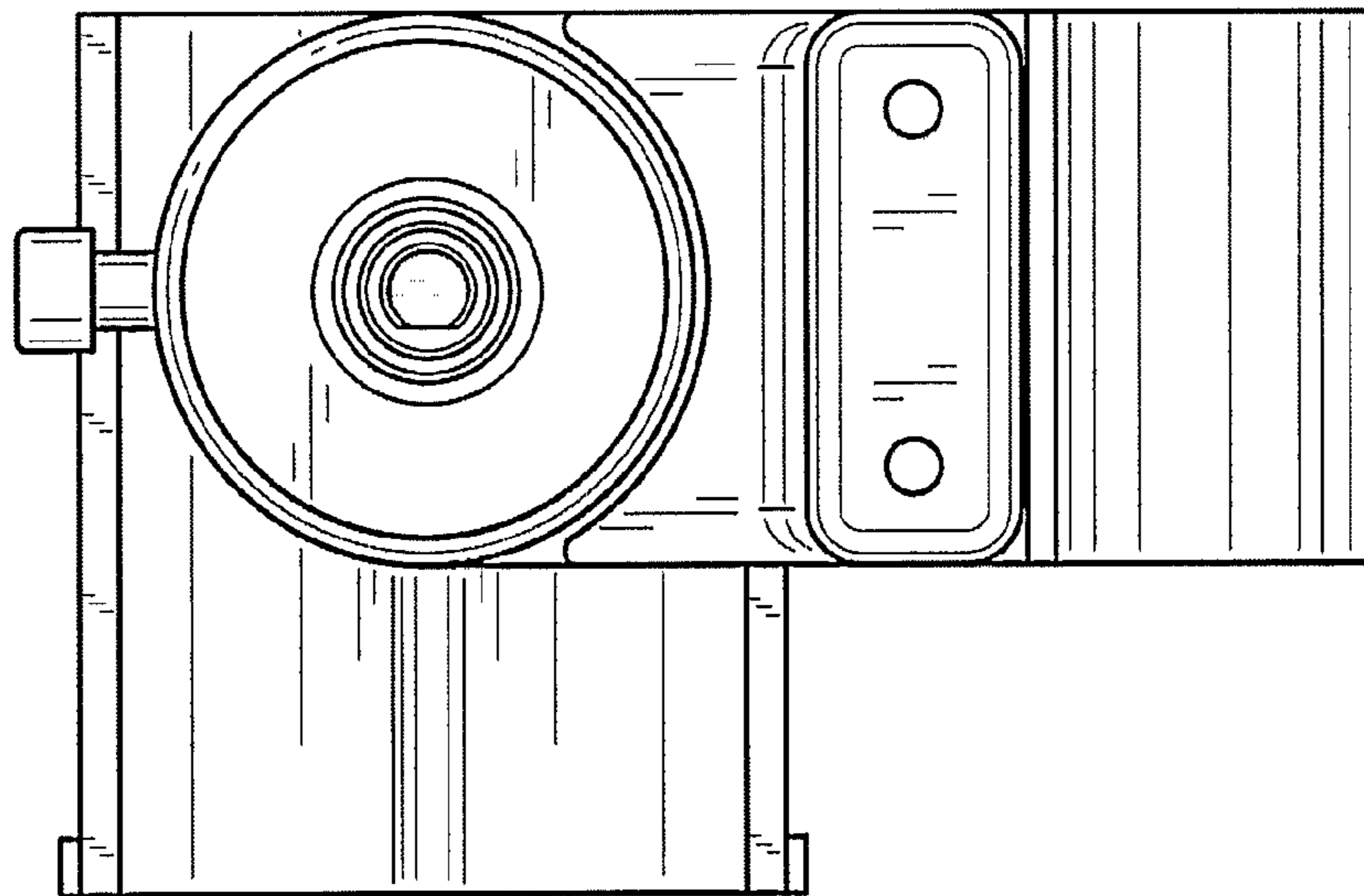


FIG. 7

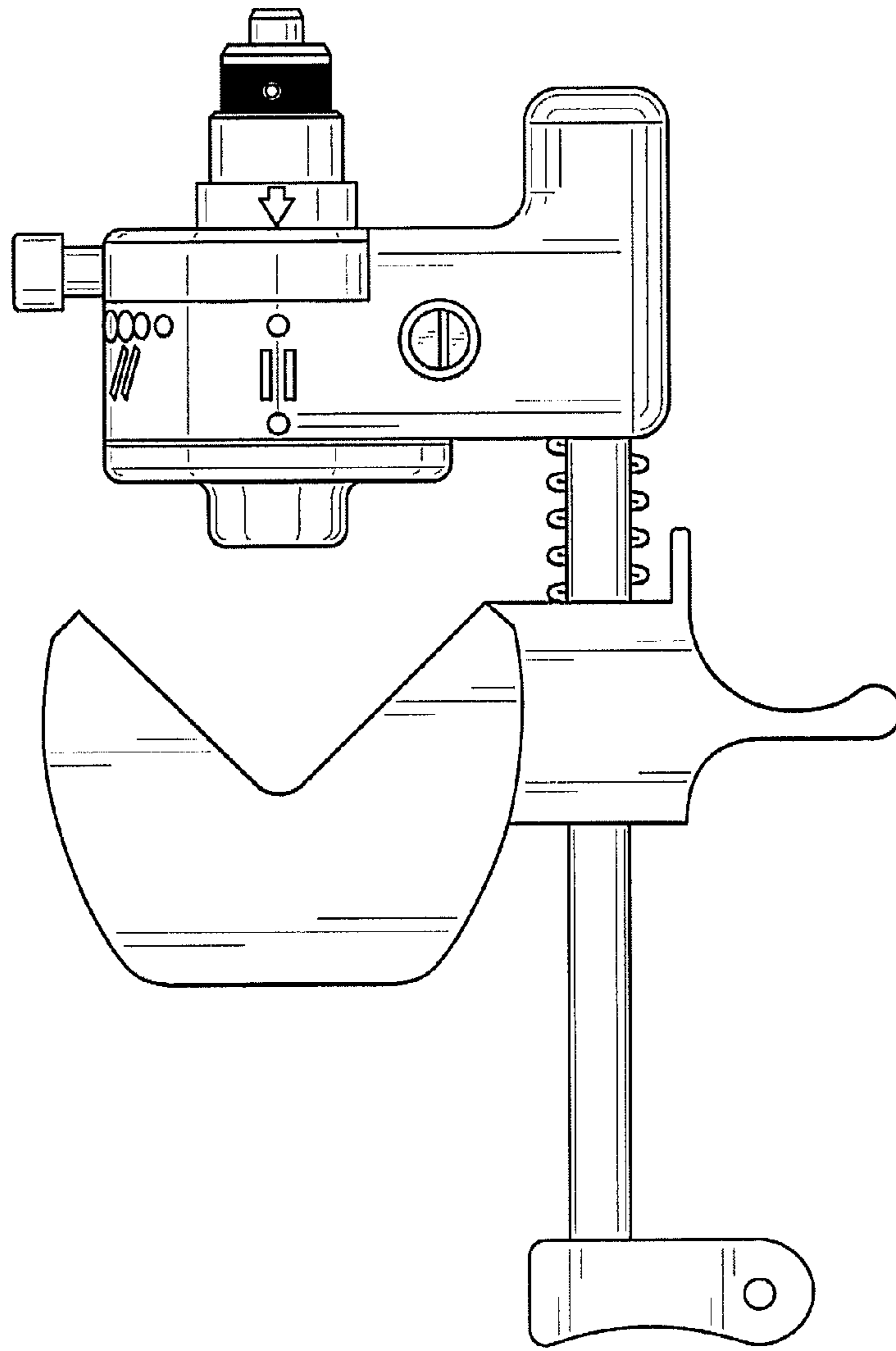


FIG. 8

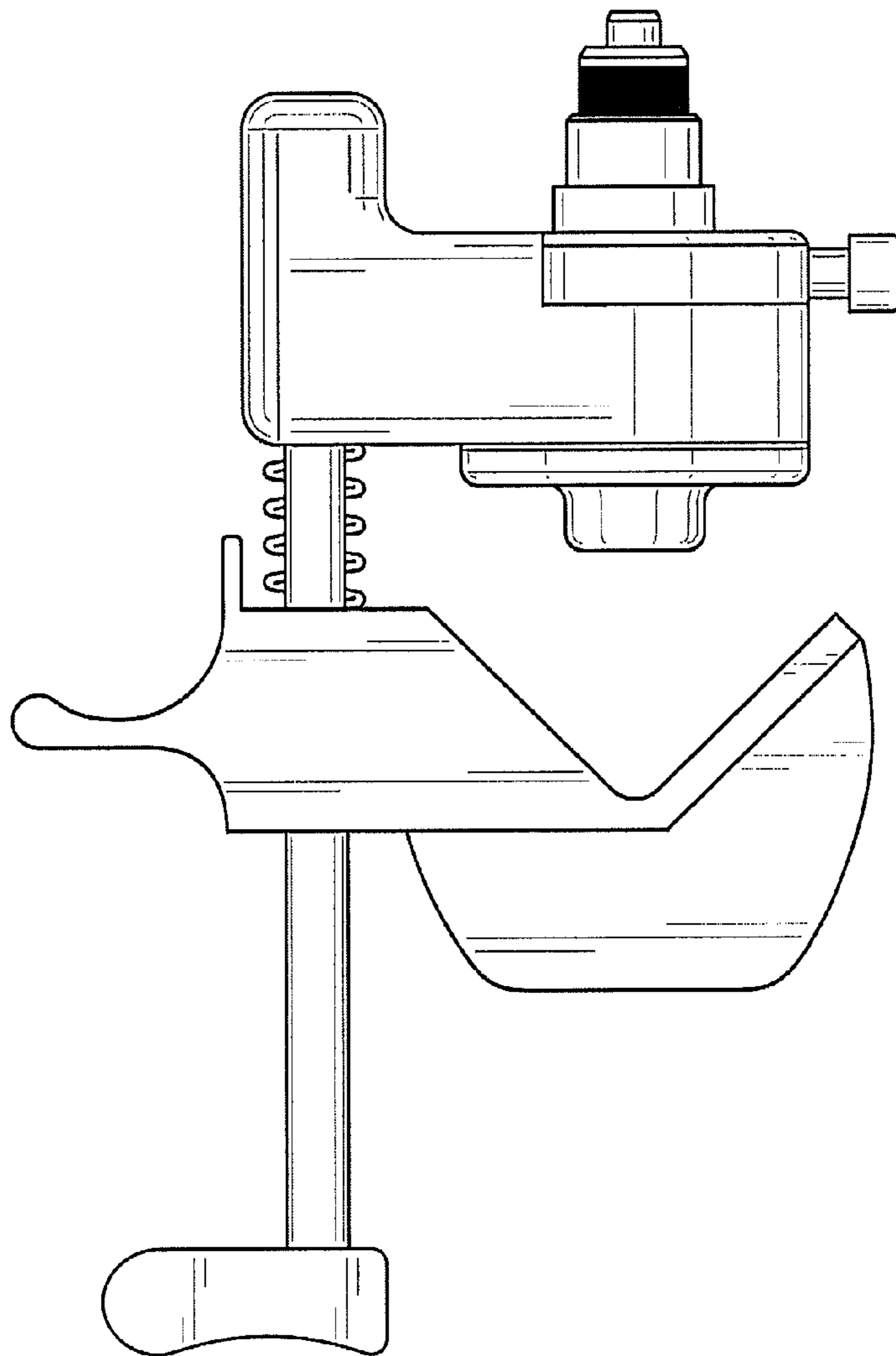


FIG. 9

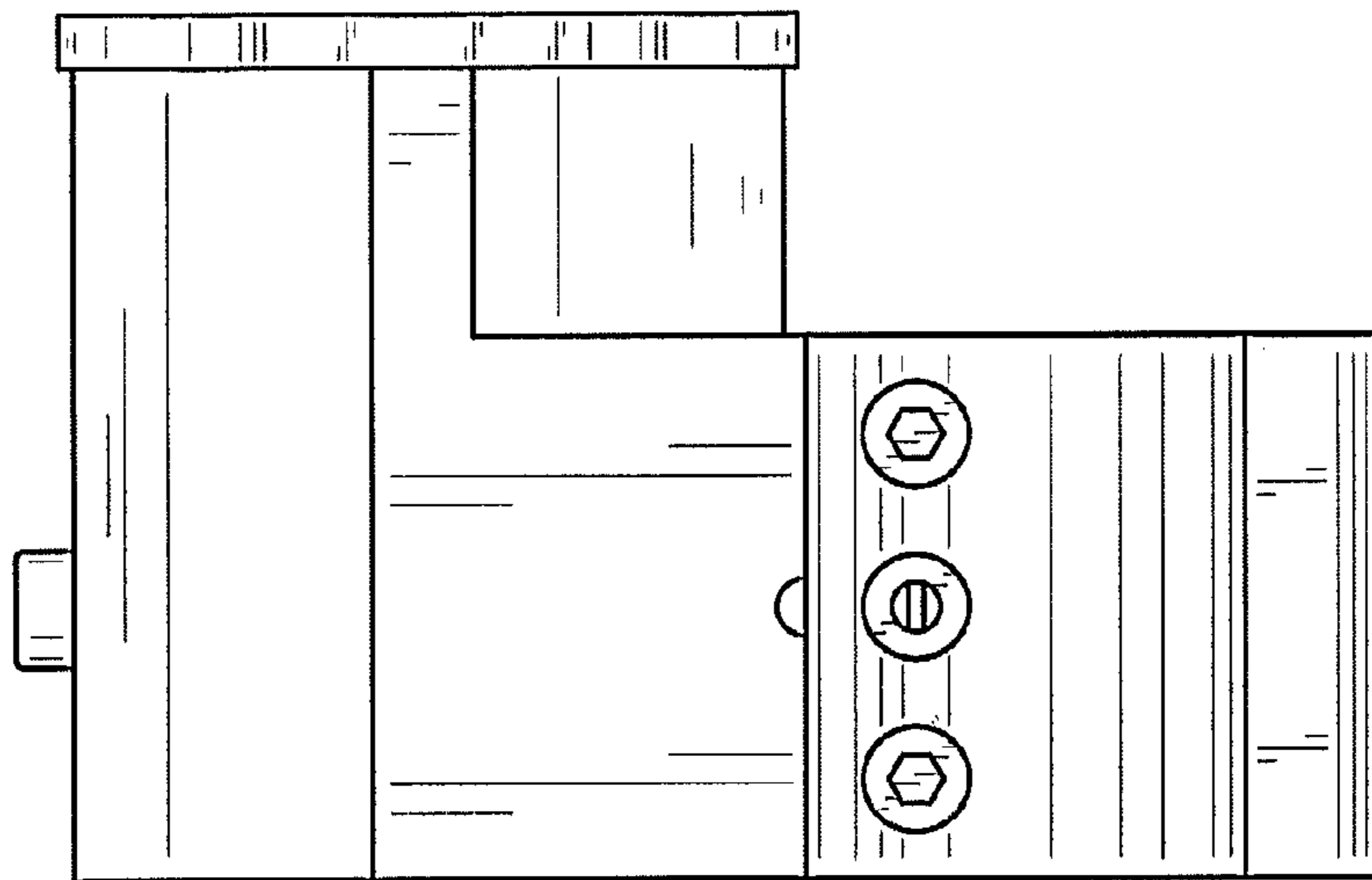


FIG. 10

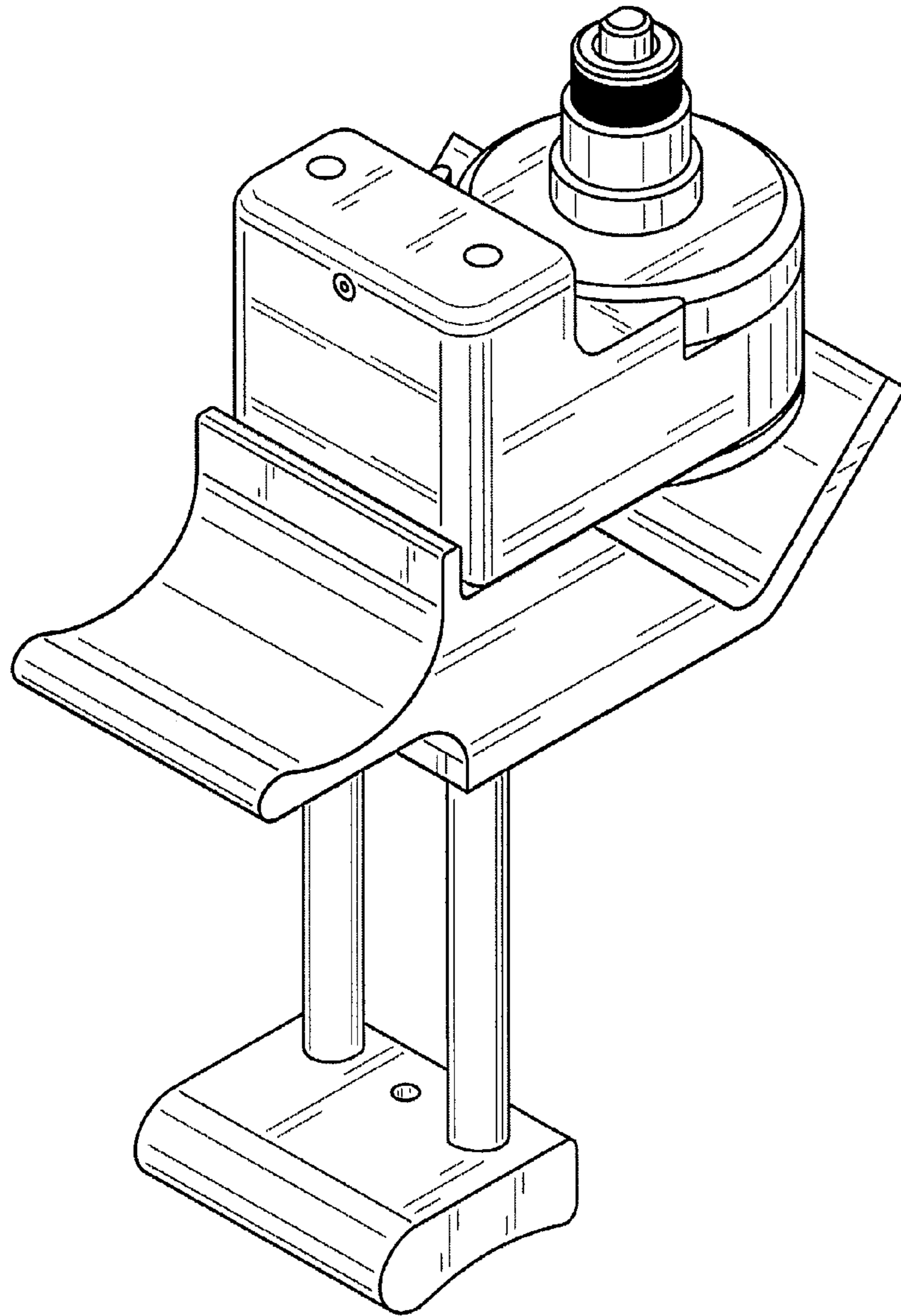


FIG. 11

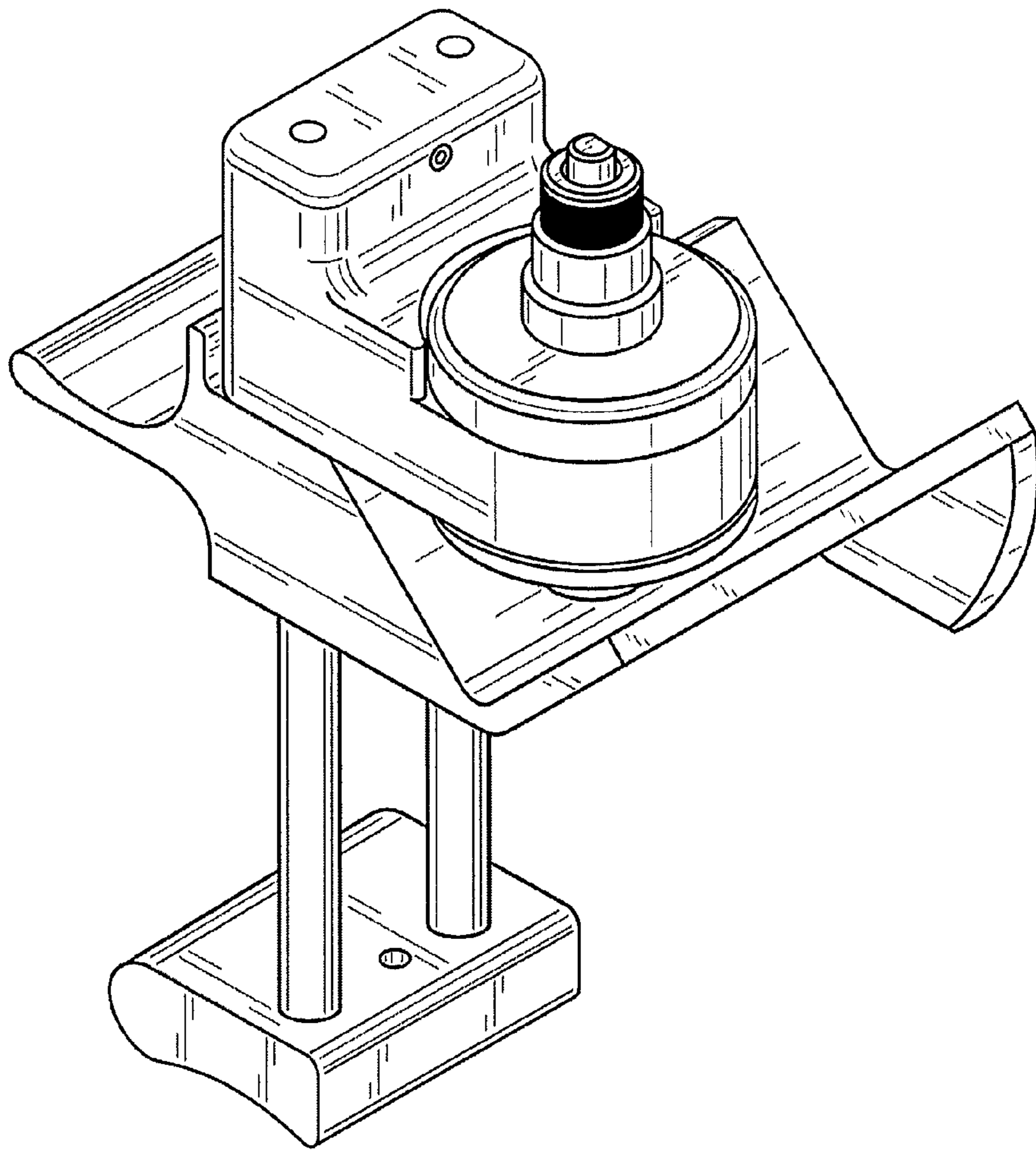


FIG. 12