



US00D721562S

(12) **United States Design Patent**  
**Battenfeld**

(10) **Patent No.:** **US D721,562 S**

(45) **Date of Patent:** **\*\* Jan. 27, 2015**

(54) **CRIMPING PLIER COMPONENT**

(56) **References Cited**

(71) Applicant: **WEZAG GmbH Werkzeugfabrik,**  
Stadtallendorf (DE)

(72) Inventor: **Kurt Battenfeld,**  
Ebsdorfergrund/Wittelsberg (DE)

(73) Assignee: **WEZAG GmbH Werkzeugfabrik,**  
Stadtallendorf (DE)

(\*\*) Term: **14 Years**

(21) Appl. No.: **29/438,945**

(22) Filed: **Dec. 5, 2012**

(30) **Foreign Application Priority Data**

Jun. 5, 2012 (EP) ..... 002052555-0006

(51) **LOC (10) Cl.** ..... **08-05**

(52) **U.S. Cl.**  
USPC ..... **D8/52**

(58) **Field of Classification Search**  
CPC . H02G 1/1202; H02G 1/1204; H02G 1/1234;  
H02G 1/1212  
USPC ..... 29/744-756; D8/4, 5, 14, 22, 23,  
D8/51-56, 58-60, 105-107; 81/300, 302,  
81/415-424, 424.5, 426, 426.5, 427,  
81/427.5; 72/409.01-409.09, 409,  
72/409.1-409.19

See application file for complete search history.

U.S. PATENT DOCUMENTS

6,293,004	B1 *	9/2001	Holliday	29/751
8,015,698	B2 *	9/2011	Sutter et al.	29/751
D649,850	S *	12/2011	Liu	D8/56
8,359,736	B2 *	1/2013	Lu	29/751
8,539,669	B2 *	9/2013	Holliday	29/751
D696,921	S *	1/2014	Sutter	D8/105
8,627,562	B2 *	1/2014	Sutter et al.	29/751

\* cited by examiner

*Primary Examiner* — Deanna L Pratt

*Assistant Examiner* — Harold Blackwell, II

(74) *Attorney, Agent, or Firm* — Thomas I Horstemeyer, LLP

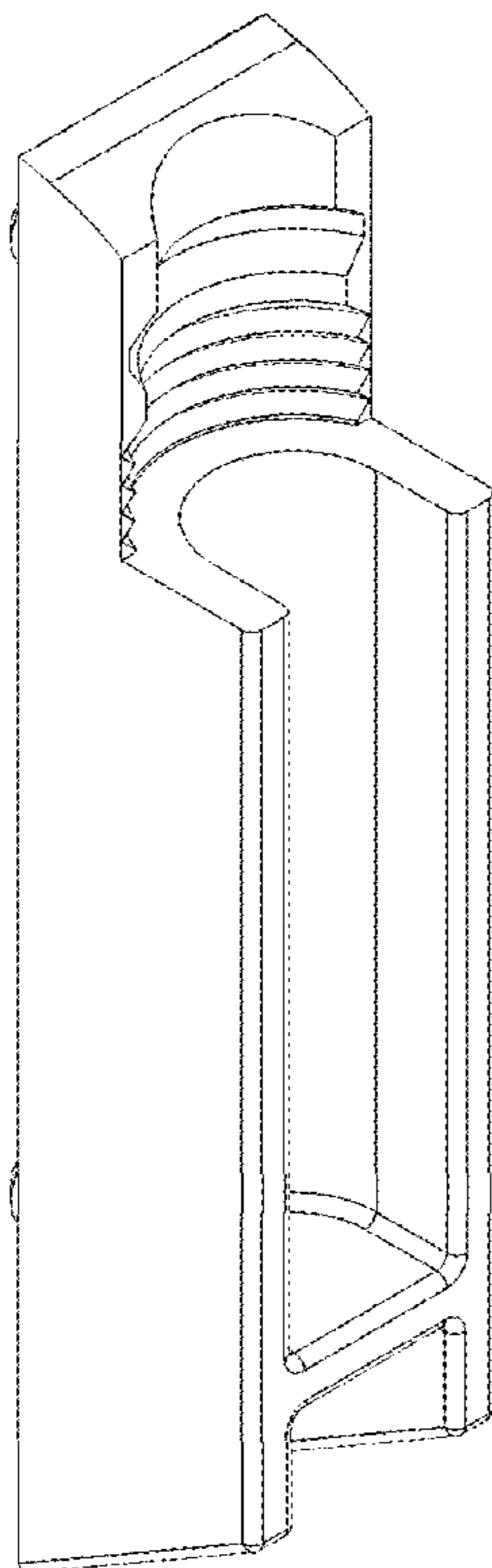
(57) **CLAIM**

The ornamental design of crimping plier component, as shown and described.

**DESCRIPTION**

FIG. 1 is a perspective view showing my new crimping plier component;  
FIG. 2 is a front side view thereof;  
FIG. 3 is a right side view thereof;  
FIG. 4 is a rear view thereof;  
FIG. 5 is a left side view thereof;  
FIG. 6 is a top view thereof; and,  
FIG. 7 is the bottom view thereof.

**1 Claim, 7 Drawing Sheets**



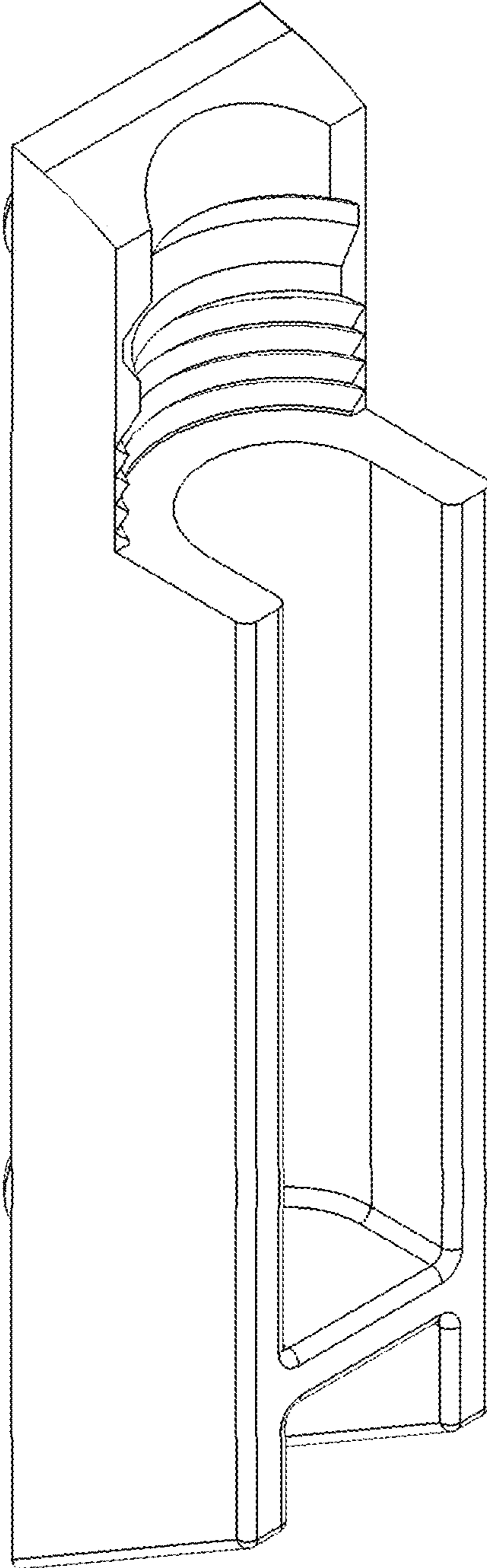


FIG. 1

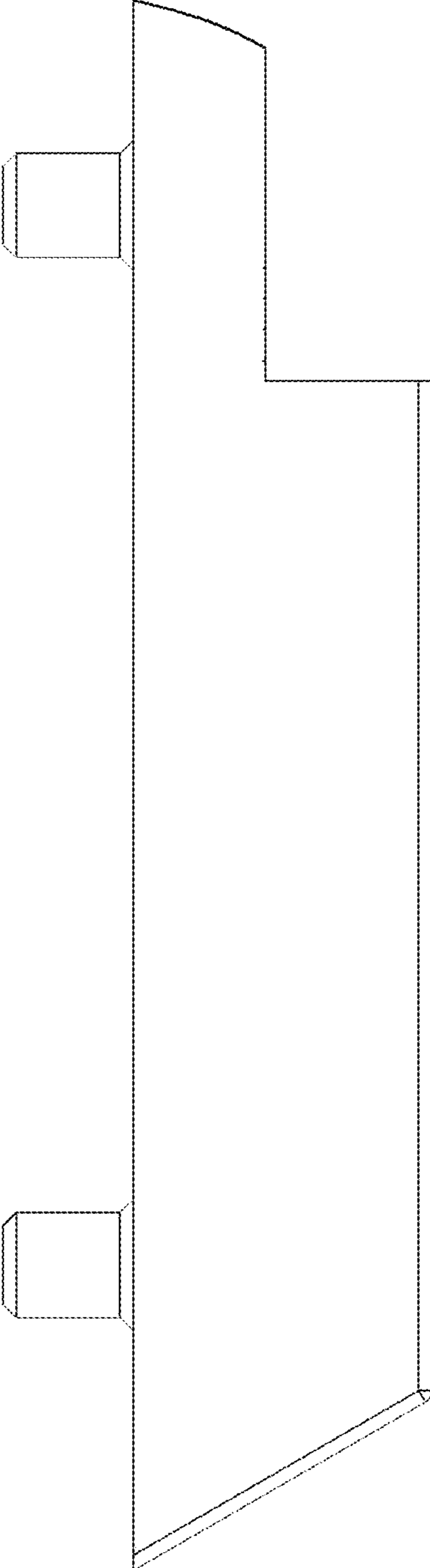


FIG. 2

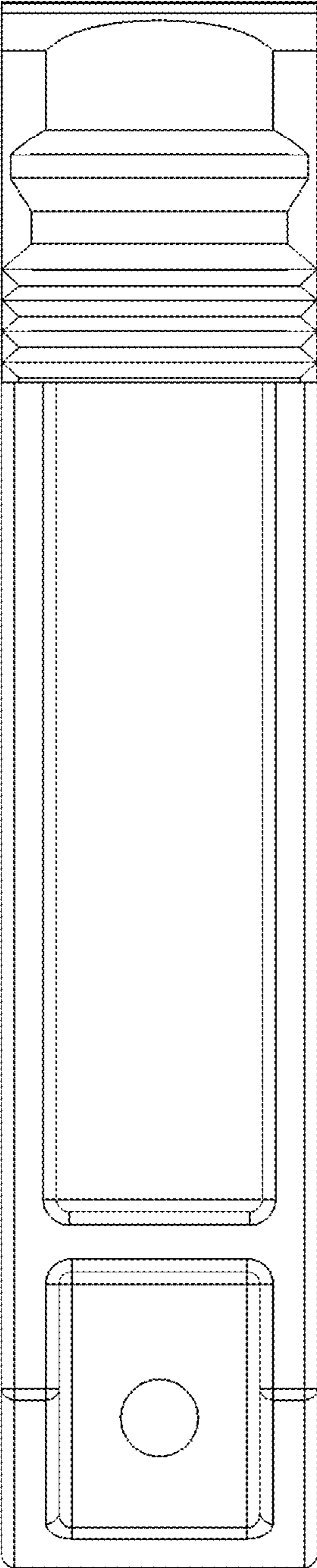


FIG. 3

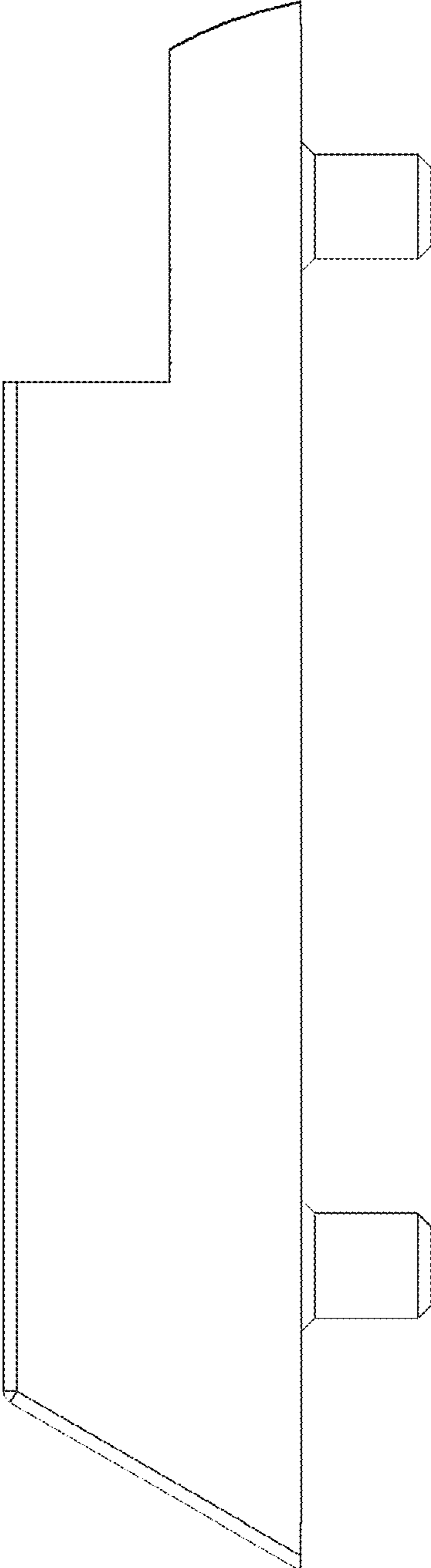


FIG. 4

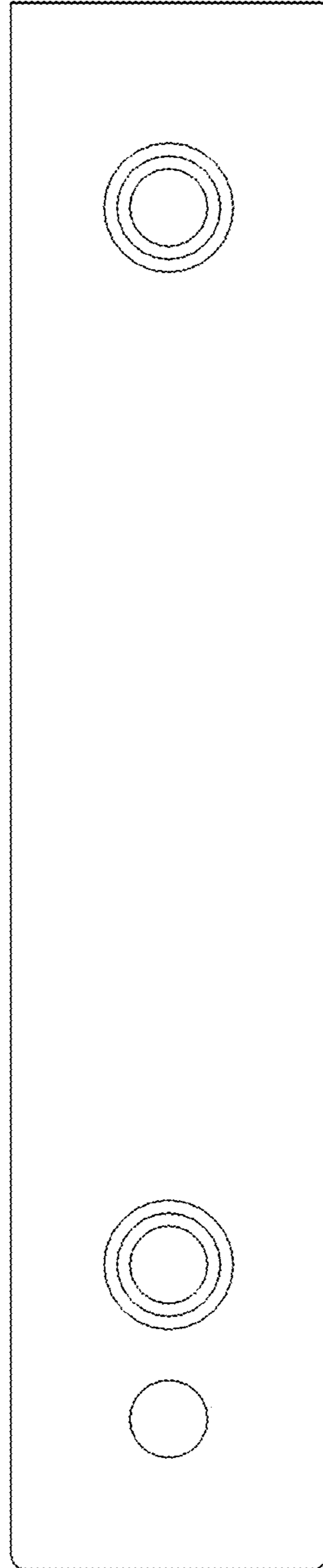


FIG. 5

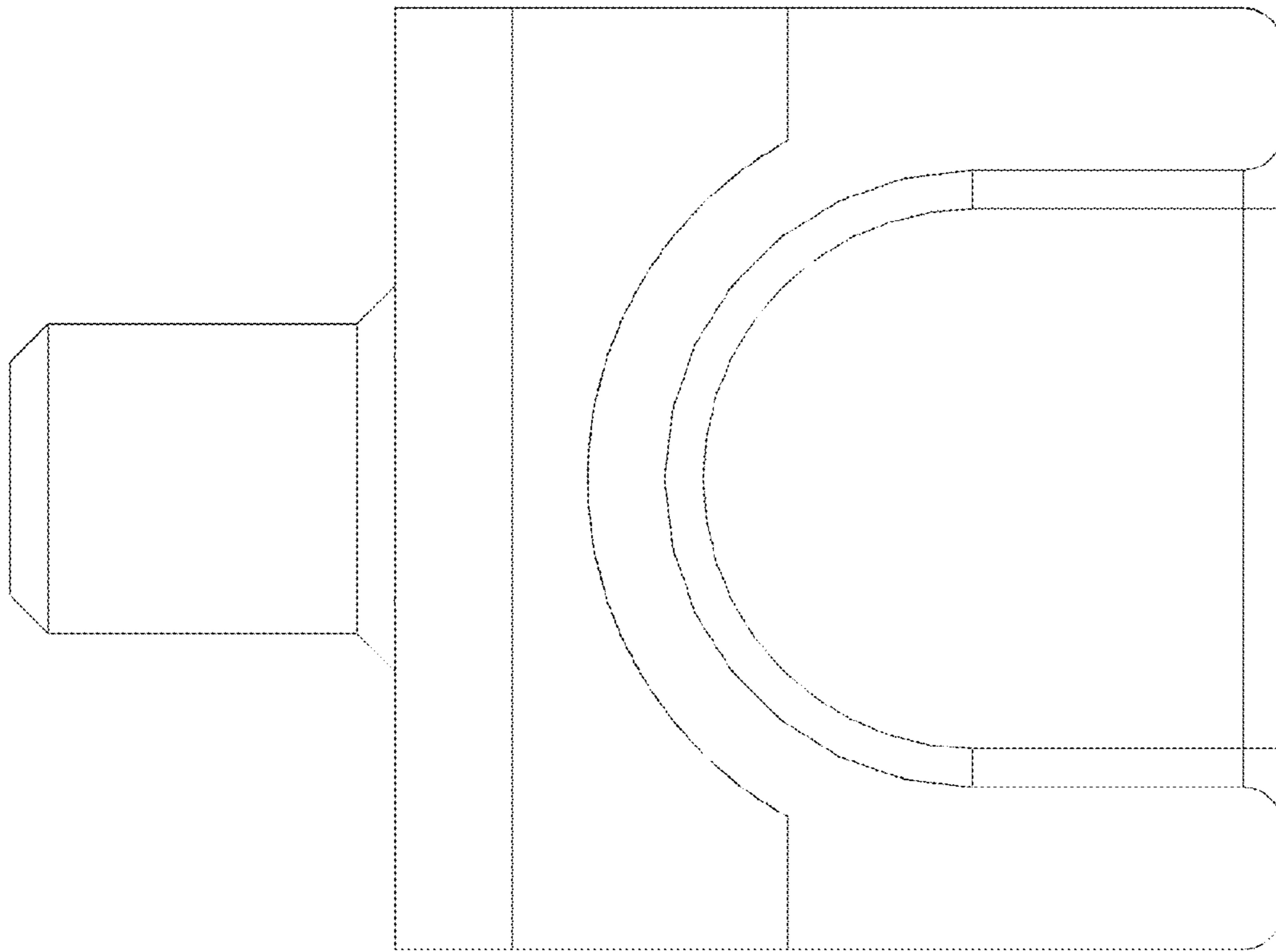


FIG. 6

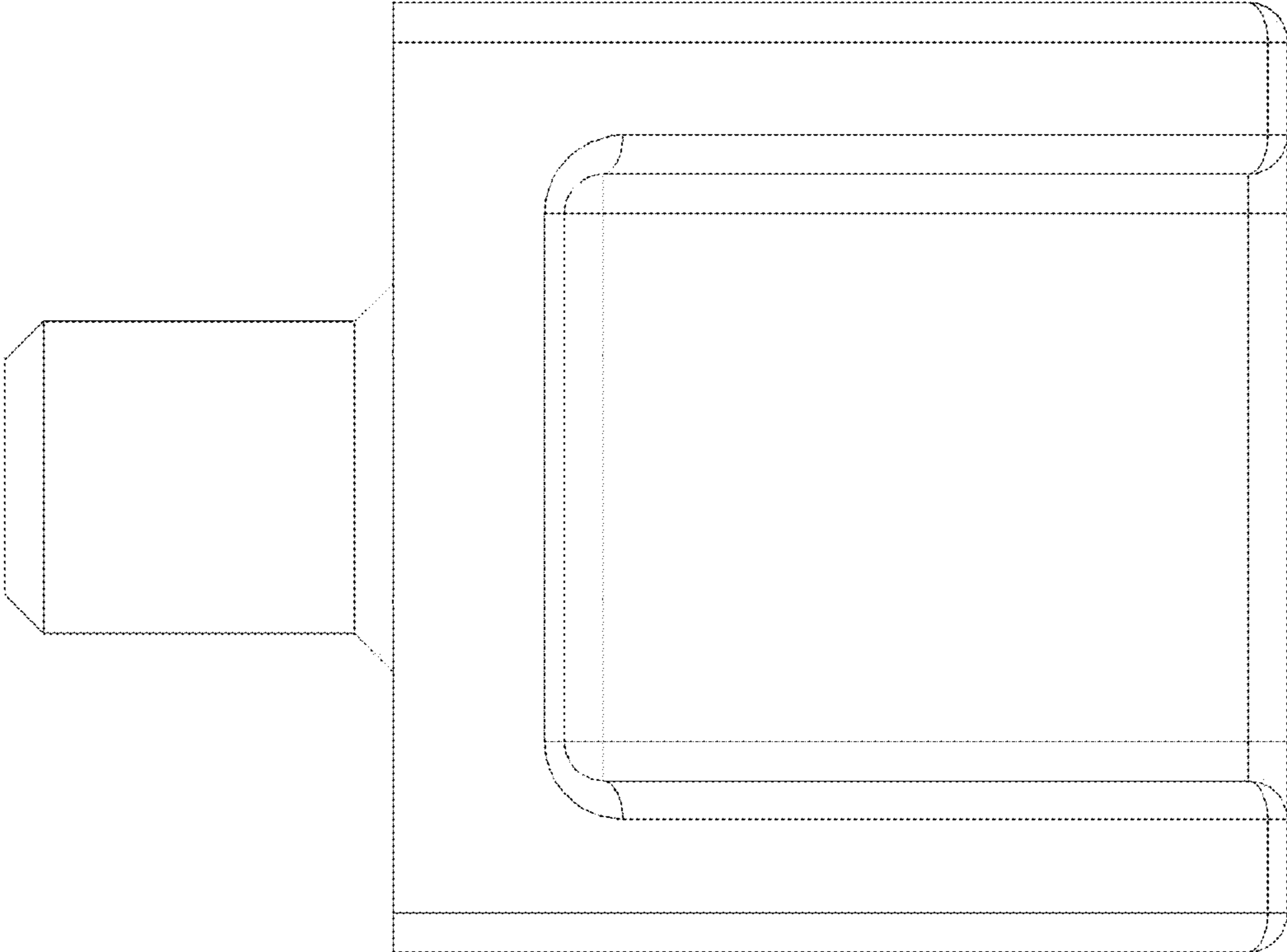


FIG. 7