



US00D721561S

(12) **United States Design Patent**
Romanak et al.

(10) **Patent No.:** **US D721,561 S**
(45) **Date of Patent:** **** Jan. 27, 2015**

- (54) **RATCHET**
- (71) Applicant: **Cequent Consumer Products, Inc.**,
Solon, OH (US)
- (72) Inventors: **Matthew Romanak**, Garfield Hts., OH
(US); **Dhananjay B. Deshpande**,
Twinsburg, OH (US); **Cynthia Kay**
Eubank, Barberton, OH (US)
- (73) Assignee: **Cequent Consumer Products, Inc.**,
Solon, OH (US)
- (**) Term: **14 Years**
- (21) Appl. No.: **29/453,548**
- (22) Filed: **Apr. 30, 2013**
- (51) **LOC (10) Cl.** **08-05**
- (52) **U.S. Cl.**
USPC **D8/44**
- (58) **Field of Classification Search**
USPC 24/68 CD, 68 E, 68 R; 254/217-220,
254/223, 247-248; D8/14, 44; 410/100
See application file for complete search history.

| | | | | |
|--------------|-----|---------|---------------------|-------|
| 6,195,848 | B1 | 3/2001 | Jackson et al. | |
| 6,230,370 | B1 | 5/2001 | Nelson | |
| 6,499,723 | B1 | 12/2002 | McNarry et al. | |
| 6,524,041 | B1 | 2/2003 | Voiculescu | |
| 6,799,751 | B1 | 10/2004 | Anderson | |
| 7,360,753 | B1 | 4/2008 | Lin | |
| D639,626 | S * | 6/2011 | Gangakhedkar et al. | D8/44 |
| D642,031 | S | 7/2011 | Pehar et al. | |
| D661,562 | S * | 6/2012 | Stevens et al. | D8/44 |
| 8,286,945 | B2 | 10/2012 | Polin, Jr. et al. | |
| D675,498 | S * | 2/2013 | Stevens et al. | D8/44 |
| D676,728 | S * | 2/2013 | Burris | D8/44 |
| D679,972 | S * | 4/2013 | Gangakhedkar et al. | D8/44 |
| D679,973 | S * | 4/2013 | Burris | D8/44 |
| D686,894 | S * | 7/2013 | Breeden et al. | D8/44 |
| D700,486 | S * | 3/2014 | Deshpande et al. | D8/44 |
| D700,487 | S * | 3/2014 | Deshpande et al. | D8/44 |
| 2008/0232922 | A1 | 9/2008 | Chang | |
| 2009/0047091 | A1 | 2/2009 | Huck | |

* cited by examiner

Primary Examiner — Adir Aronovich
Assistant Examiner — Ethiene Salgado-Rodriguez
(74) *Attorney, Agent, or Firm* — McDonald Hopkins LLC

(57) **CLAIM**
The ornamental design for a ratchet, as shown and described.

DESCRIPTION

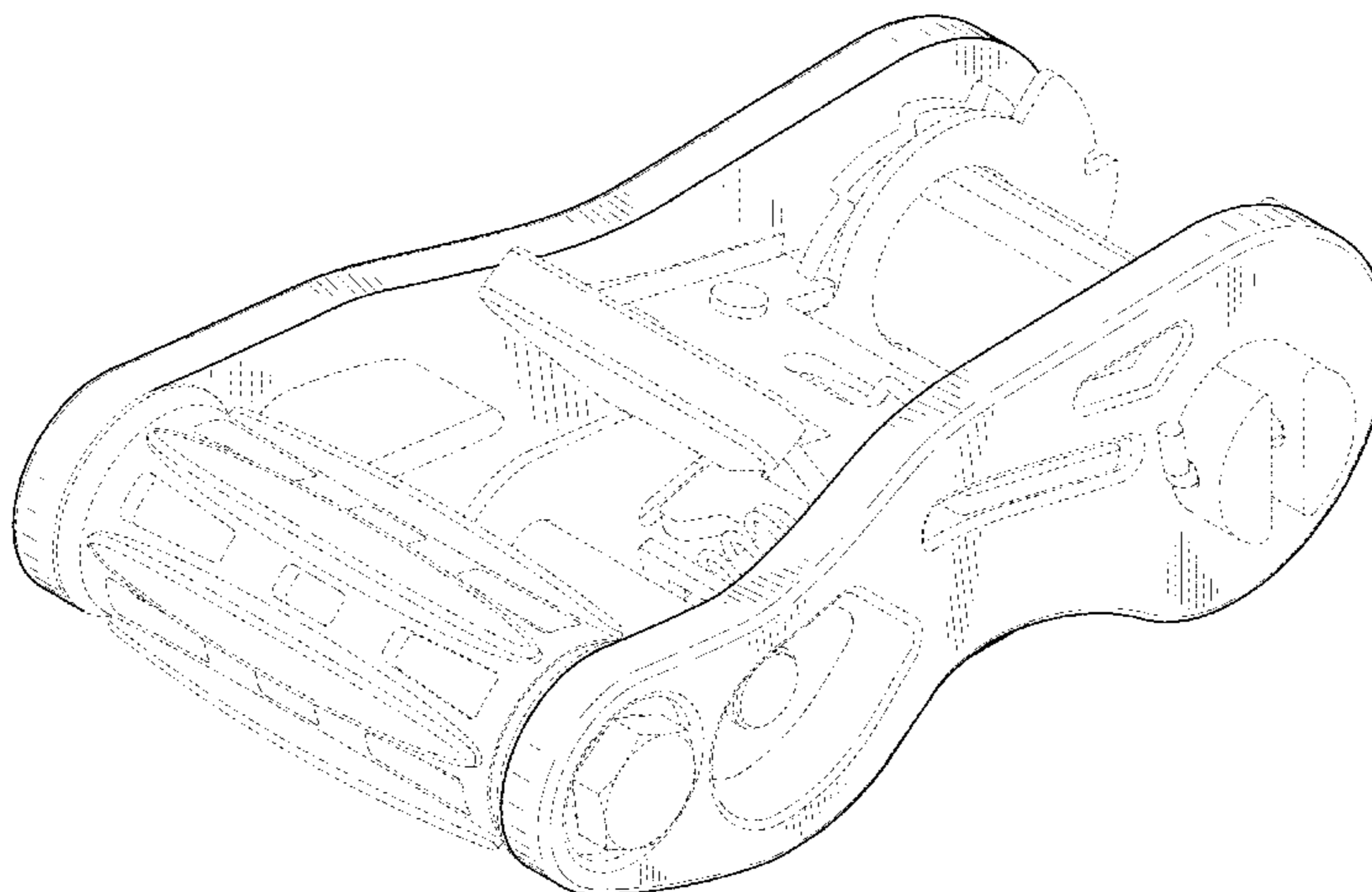
FIG. 1 is a top perspective view of a ratchet showing our new design;
FIG. 2 is a bottom perspective view thereof;
FIG. 3 is a top plan view thereof;
FIG. 4 is a bottom plan view thereof;
FIG. 5 is a left side elevational view thereof;
FIG. 6 is a right side elevational view thereof;
FIG. 7 is a front elevational view thereof; and,
FIG. 8 is a rear elevational view thereof.
The broken lines in the figures are included for the purpose of illustrating portions of a ratchet and form no part of the claimed design.

1 Claim, 6 Drawing Sheets

(56) **References Cited**

U.S. PATENT DOCUMENTS

| | | | | |
|-----------|-----|---------|----------------|---------|
| 604,302 | A | 5/1898 | Clark | |
| 1,606,221 | A | 11/1926 | Hergesheimer | |
| 2,526,216 | A | 10/1950 | Gartner | |
| 3,276,282 | A * | 10/1966 | Gair | 474/111 |
| D230,464 | S * | 2/1974 | Gale | D8/44 |
| 3,826,473 | A | 7/1974 | Huber | |
| 3,965,539 | A | 6/1976 | Golden | |
| 4,155,537 | A | 5/1979 | Bronson et al. | |
| 4,268,012 | A | 5/1981 | Ruehle et al. | |
| D266,828 | S * | 11/1982 | Prete, Jr. | D8/383 |
| 4,913,608 | A | 4/1990 | Royball | |
| D328,840 | S * | 8/1992 | Jensen | D8/44 |
| 5,779,001 | A | 7/1998 | Skyba | |



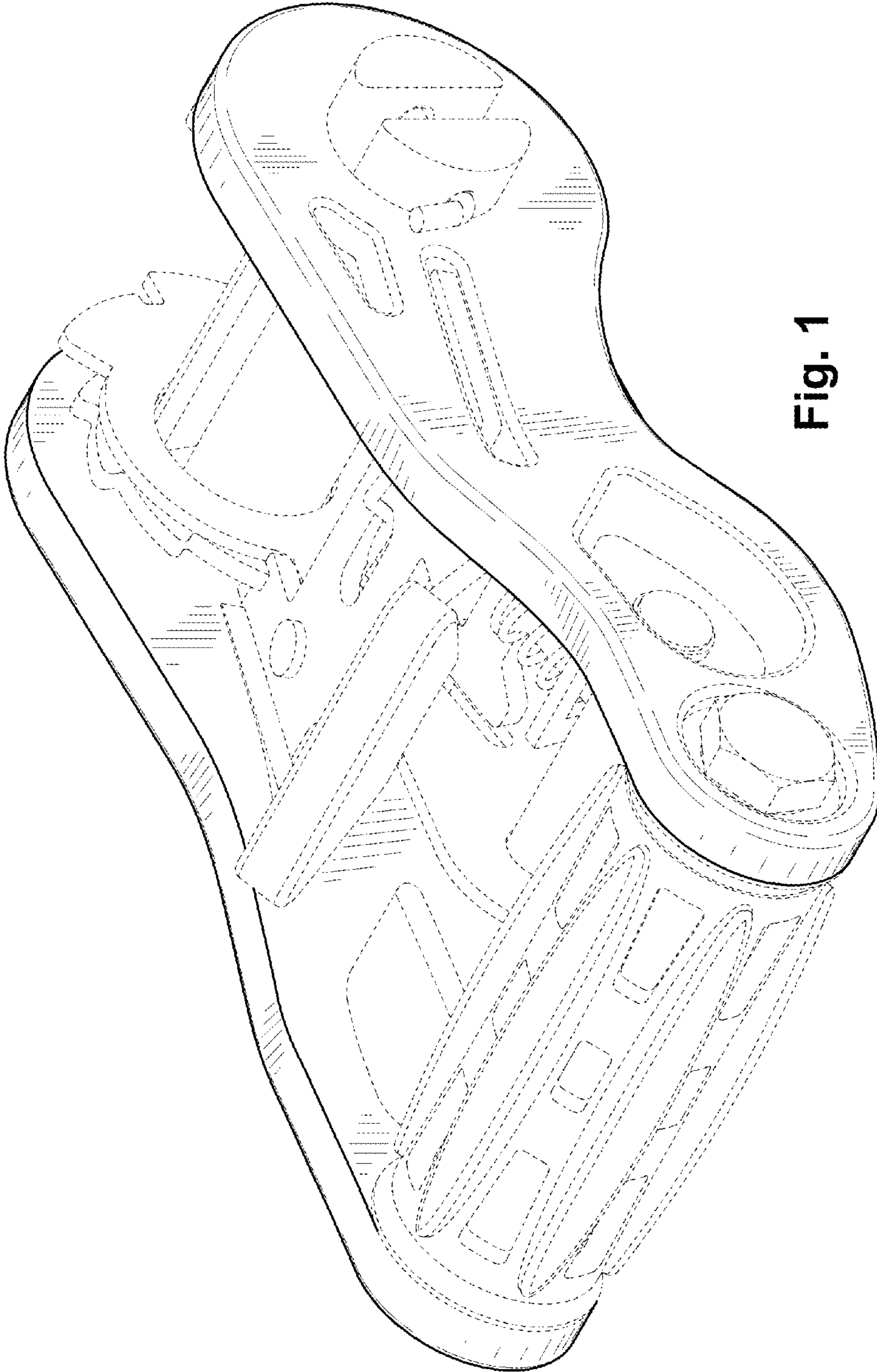


Fig. 1

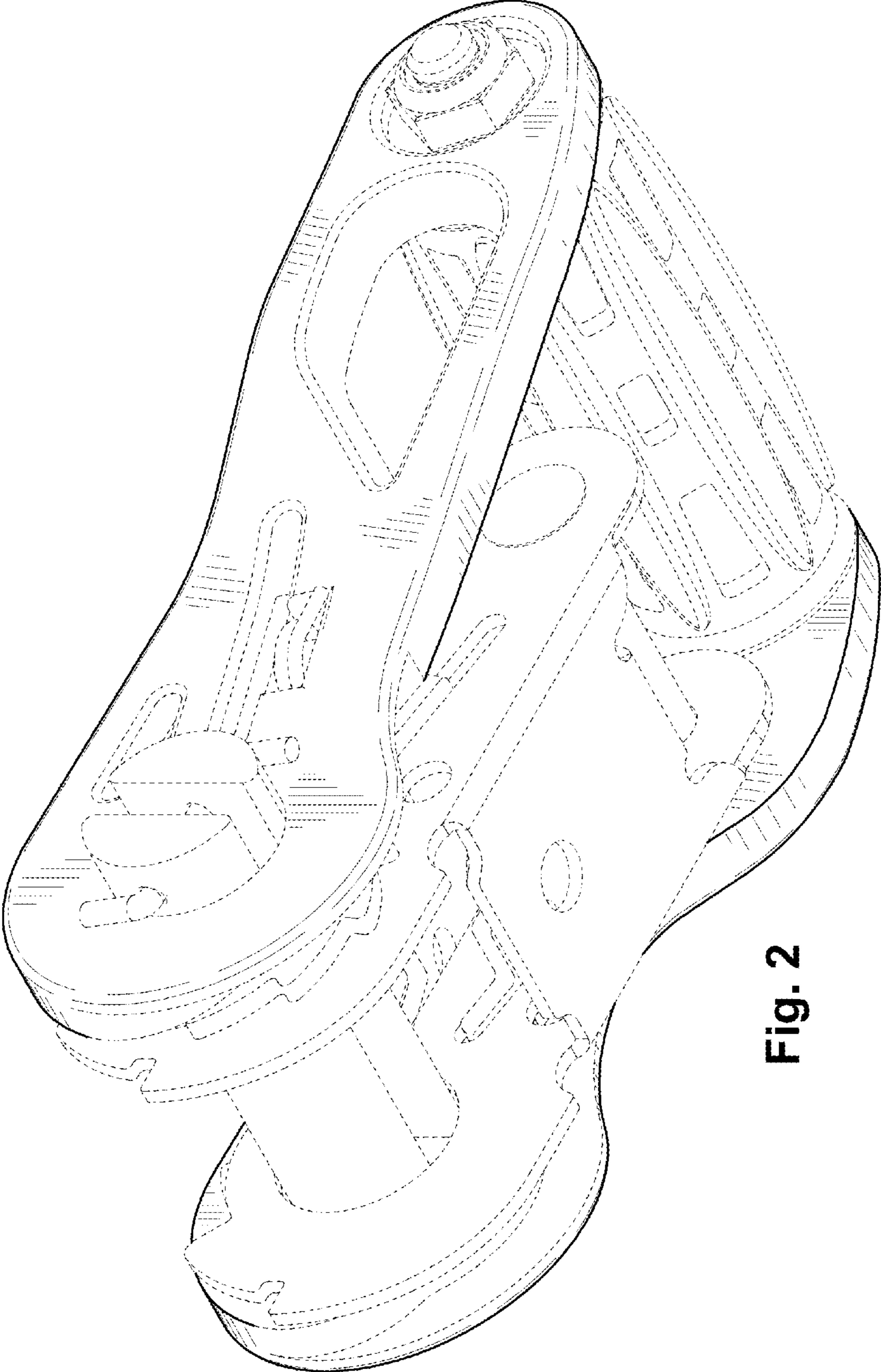


Fig. 2

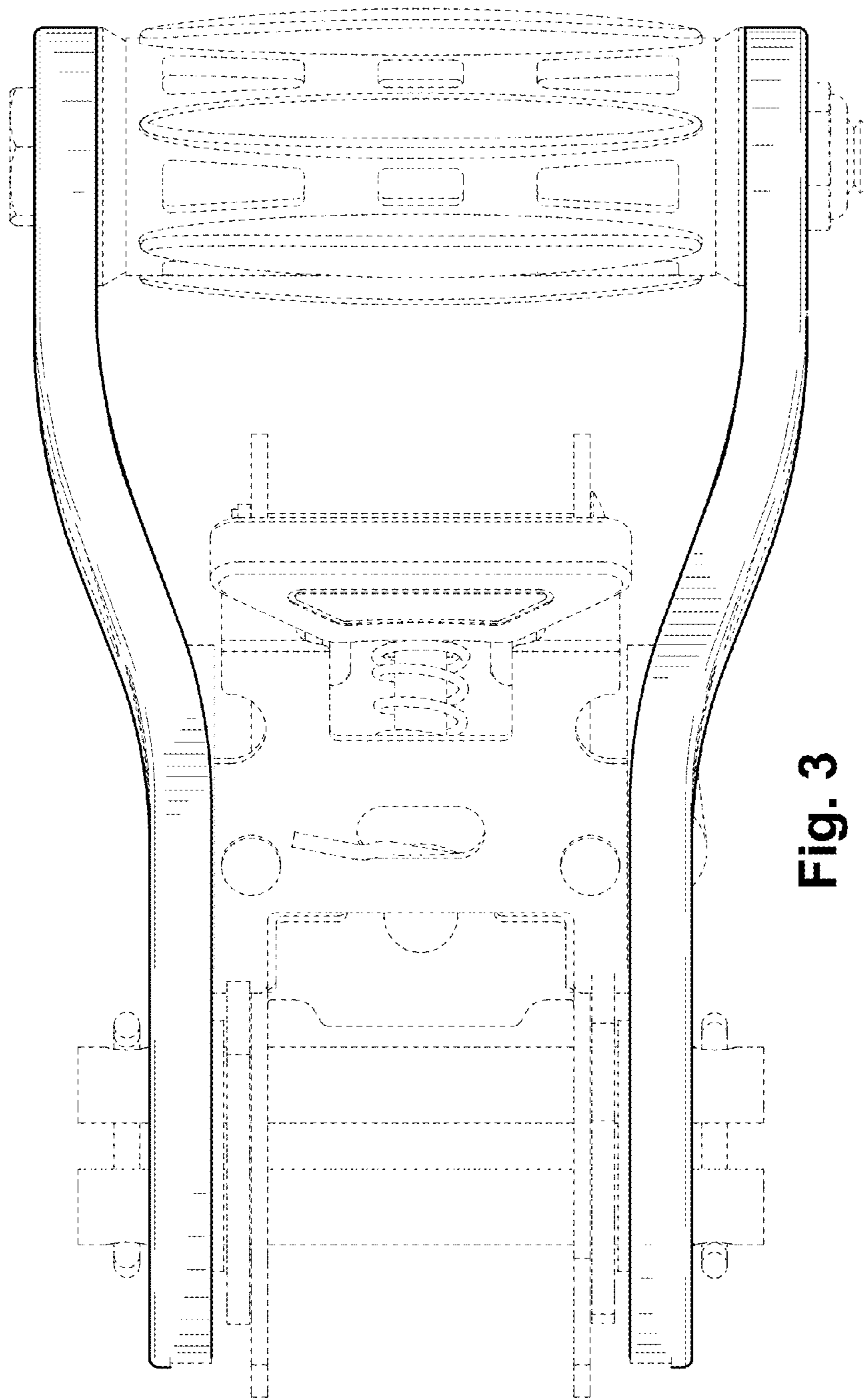


Fig. 3

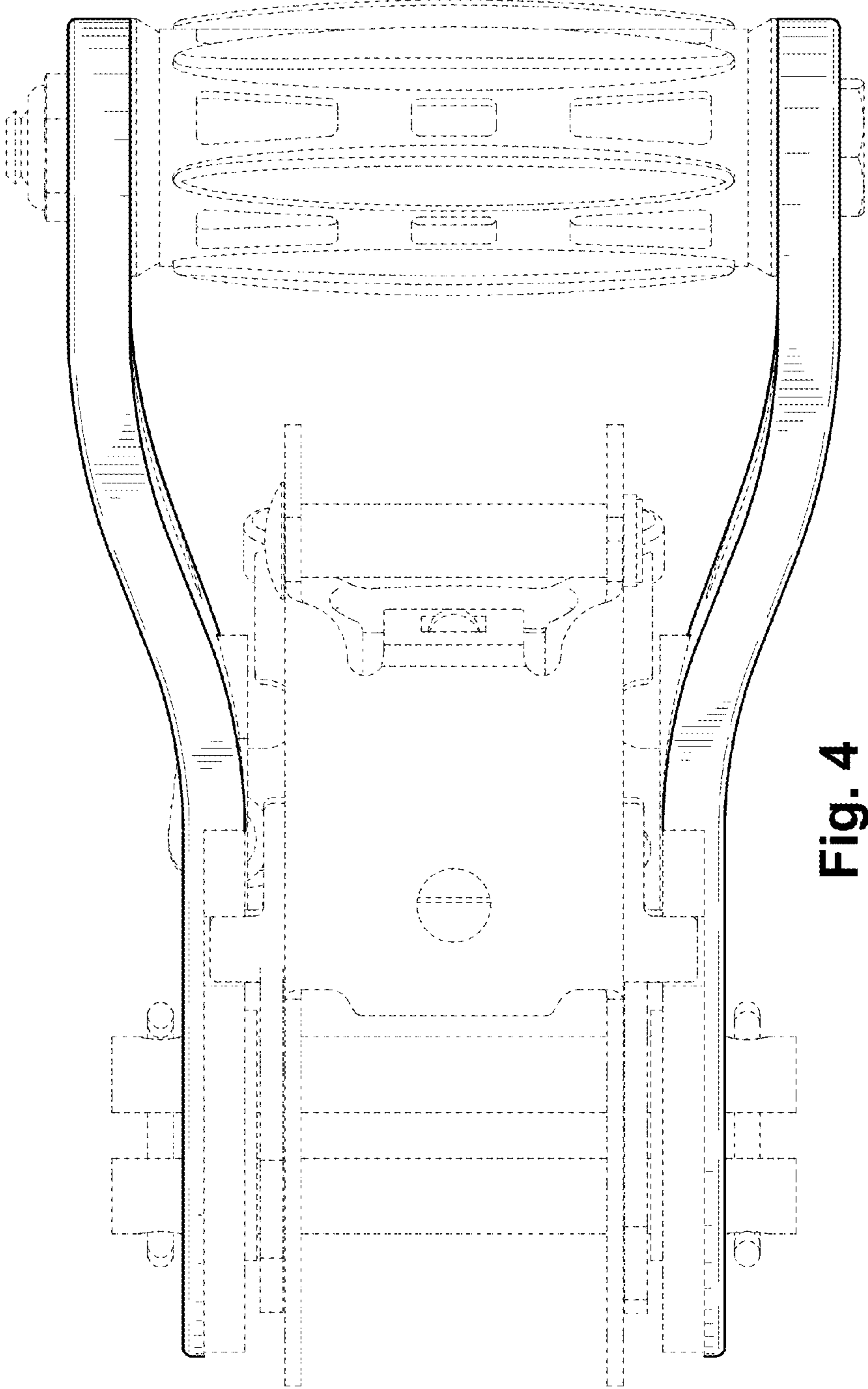


Fig. 4

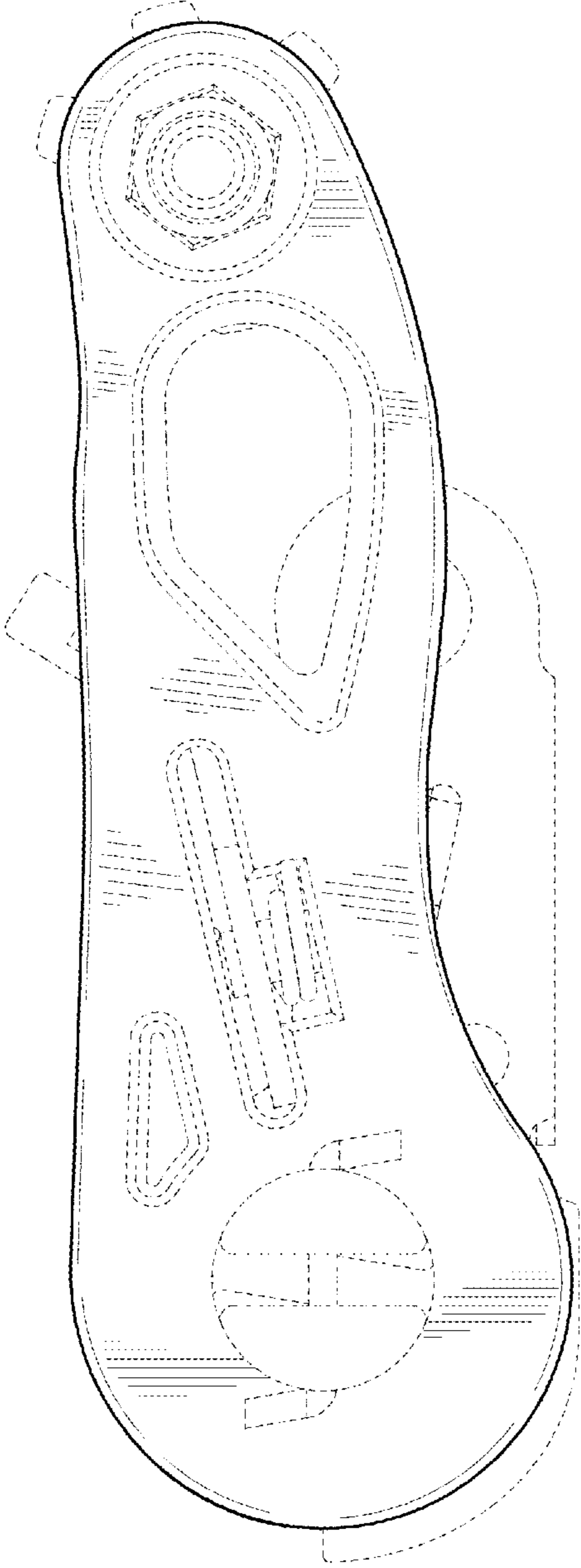


Fig. 5

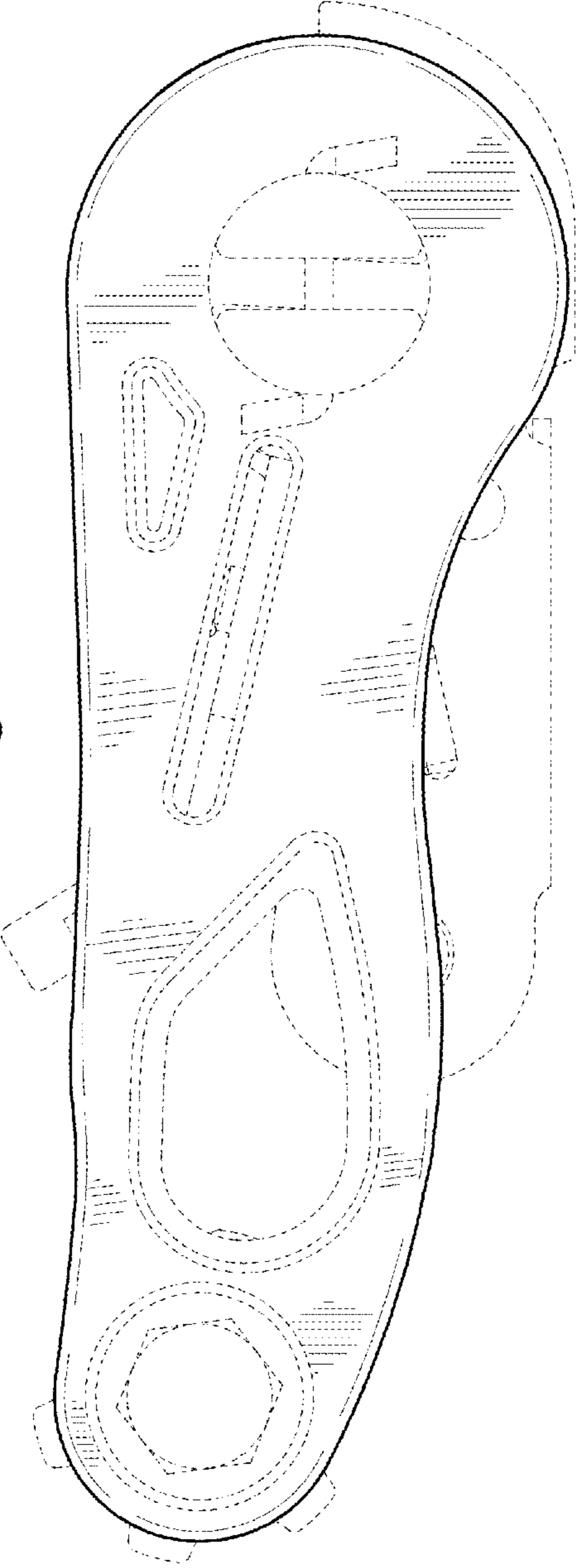


Fig. 6

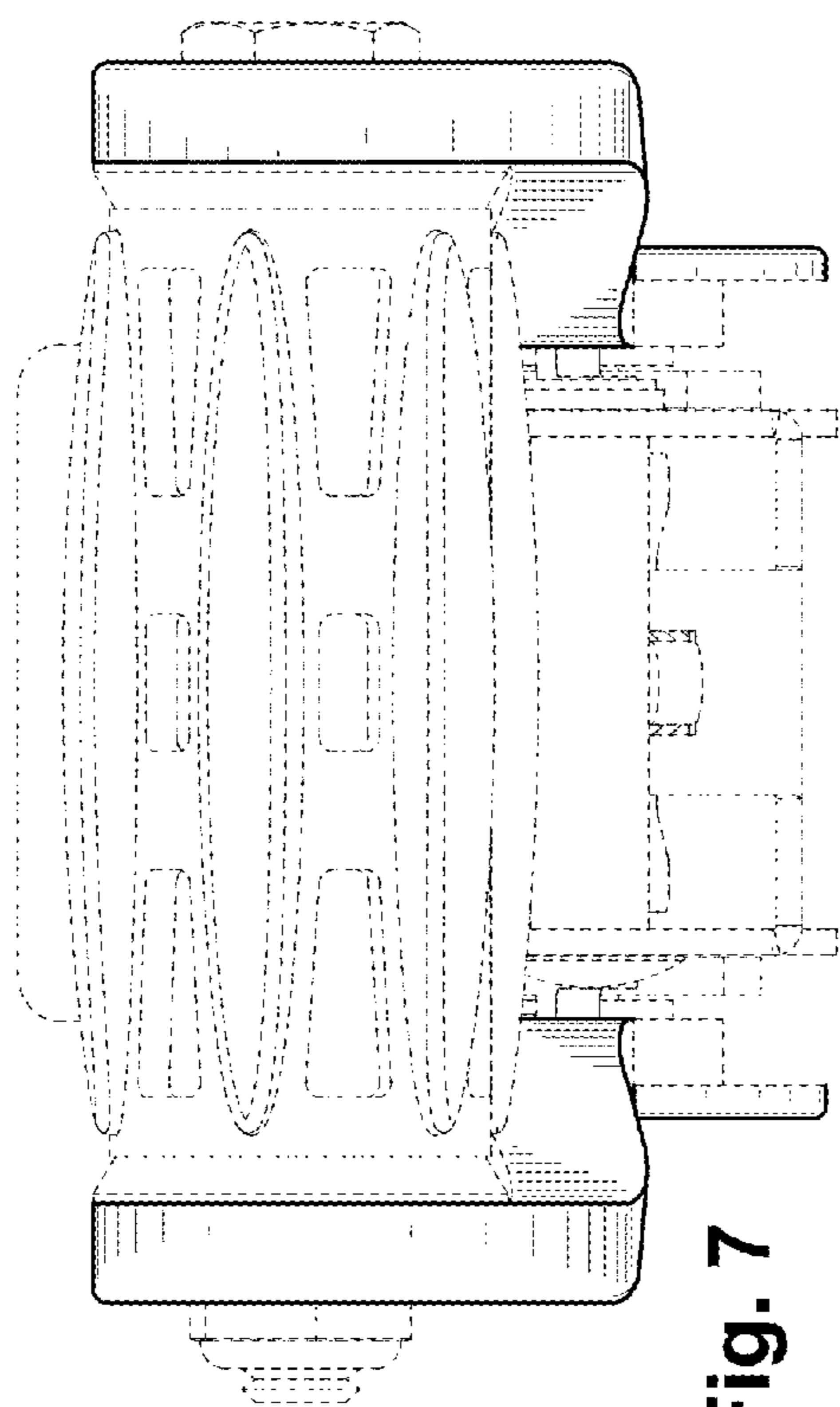


Fig. 7

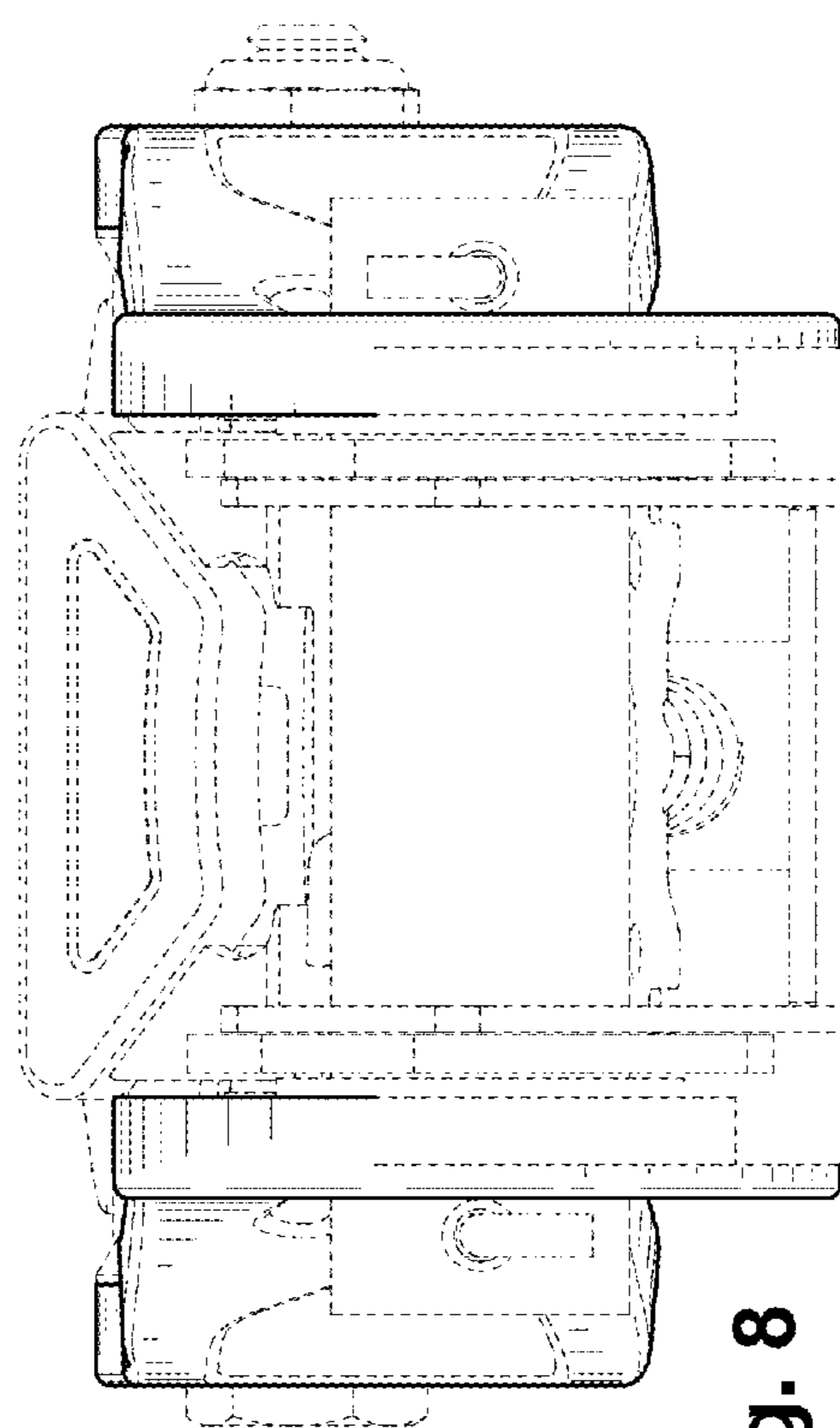


Fig. 8