



US00D721560S

(12) **United States Design Patent**
Roberts et al.

(10) **Patent No.:** **US D721,560 S**
(45) **Date of Patent:** **** Jan. 27, 2015**

- (54) **CAN OPENER**
- (71) Applicant: **Fiskars Brands, Inc.**, Madison, WI (US)
- (72) Inventors: **Colin Roberts**, Stevens Point, WI (US);
Andrew P. Block, Madison, WI (US);
Stephen P. Dechant, Lodi, WI (US)
- (73) Assignee: **Fiskars Brands, Inc.**, Madison, WI (US)
- (**) Term: **14 Years**
- (21) Appl. No.: **29/488,176**
- (22) Filed: **Apr. 16, 2014**
- (51) **LOC (10) Cl.** **07-99**
- (52) **U.S. Cl.**
USPC **D8/41**
- (58) **Field of Classification Search**
USPC D8/14, 16, 18, 19, 33-43, 88, 89, 105,
D8/107; 7/112, 113, 151-156; 81/3.07,
81/3.09, 3.2, 3.27, 3.29, 3.31, 3.35, 3.37,
81/3.4, 3.48, 3.49, 3.55
See application file for complete search history.

6,829,832	B2 *	12/2004	Chang	30/417
D501,772	S *	2/2005	Overthun et al.	D8/40
D510,690	S *	10/2005	Greiner	D8/40
D513,950	S *	1/2006	So	D8/40
D522,824	S *	6/2006	McGuyer	D8/41
7,121,009	B2 *	10/2006	Robbins et al.	30/418
D537,687	S *	3/2007	Parlowski et al.	D8/41
D558,011	S *	12/2007	Bodum	D8/41
D562,658	S *	2/2008	So	D8/41
D583,207	S *	12/2008	Eide et al.	D8/41
D594,302	S *	6/2009	Mah et al.	D8/40
7,784,190	B2 *	8/2010	So	30/416
D693,195	S *	11/2013	Poure	D8/43
D711,710	S *	8/2014	Greiner	D8/40
2006/0179669	A1 *	8/2006	Robbins et al.	30/418

* cited by examiner

Primary Examiner — Elizabeth Albert
(74) *Attorney, Agent, or Firm* — Foley & Lardner LLP

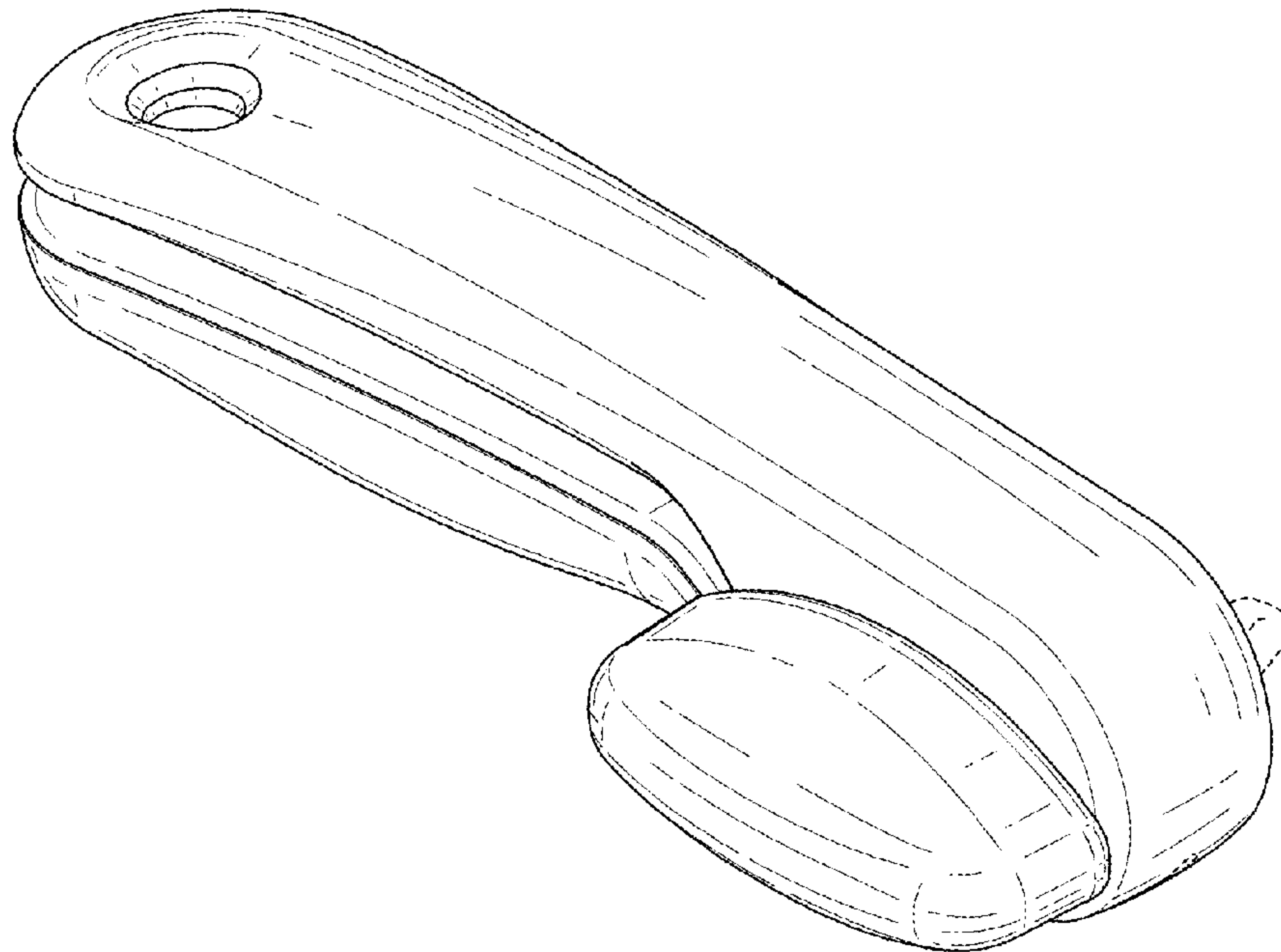
(57) **CLAIM**
We claim the ornamental design for a can opener, as shown and described.

DESCRIPTION

FIG. 1 is an isometric view of a can opener showing our new design;
FIG. 2 is a front elevational view thereof;
FIG. 3 is a rear elevational view thereof;
FIG. 4 is a left side elevational view thereof;
FIG. 5 is a right side elevational view thereof;
FIG. 6 is a top plan view thereof; and,
FIG. 7 is a bottom plan view thereof.
The portions of the drawings in broken lines are included for the purpose of showing features that form no part of the claimed design.

1 Claim, 5 Drawing Sheets

- (56) **References Cited**
U.S. PATENT DOCUMENTS
- | | | | | | |
|-----------|-----|---------|---------|-------|--------|
| 4,825,554 | A * | 5/1989 | Koo | | 30/417 |
| D366,197 | S * | 1/1996 | Laib | | D8/41 |
| 5,794,353 | A * | 8/1998 | Lin | | 30/418 |
| D406,027 | S * | 2/1999 | So | | D8/39 |
| 6,094,828 | A * | 8/2000 | Chong | | 30/417 |
| D441,626 | S * | 5/2001 | Greiner | | D8/41 |
| D459,962 | S * | 7/2002 | Chong | | D8/40 |
| D466,771 | S * | 12/2002 | Chang | | D8/41 |
| D471,412 | S * | 3/2003 | Greiner | | D8/41 |



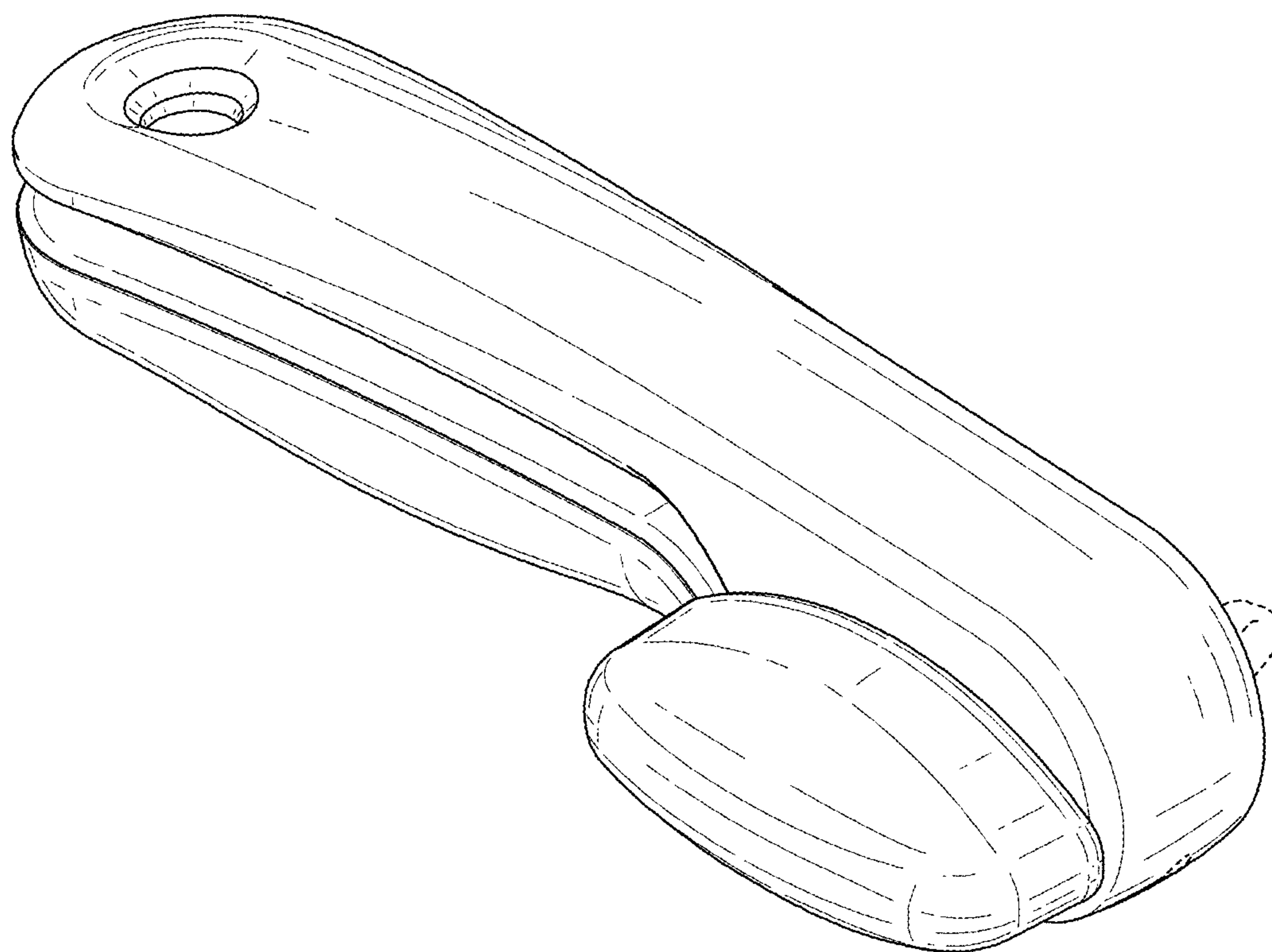


FIG. 1

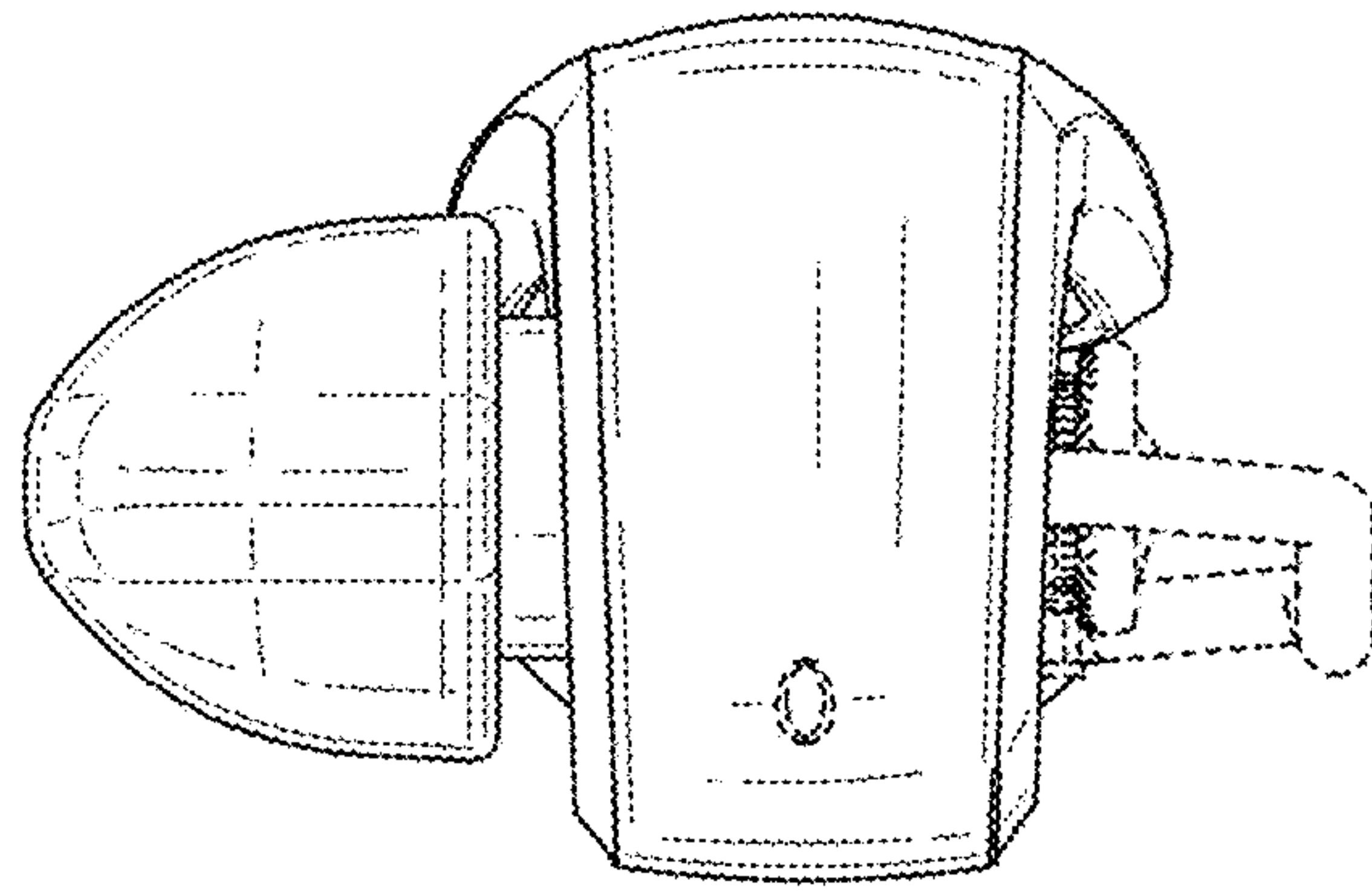


FIG. 2

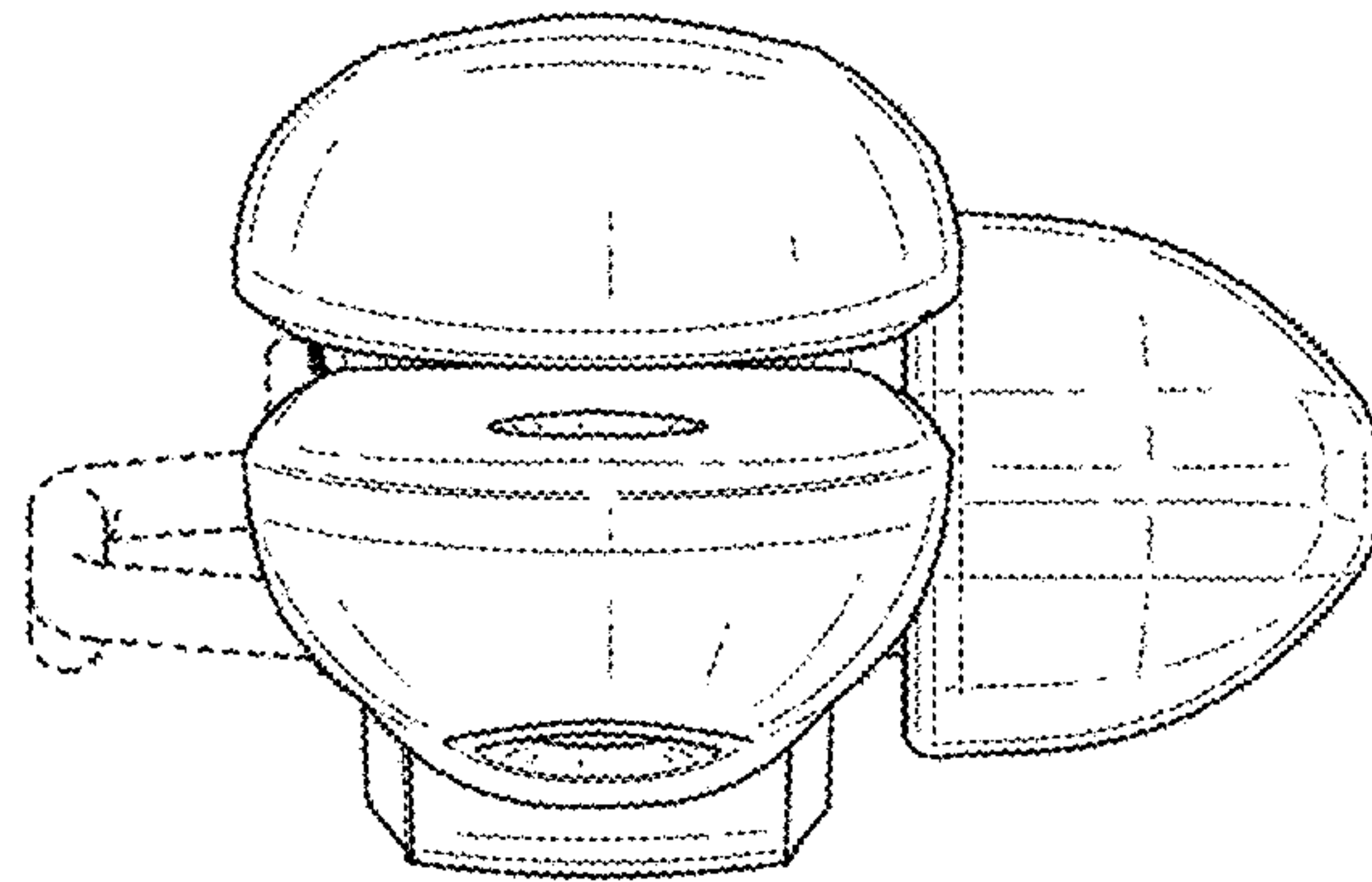


FIG. 3

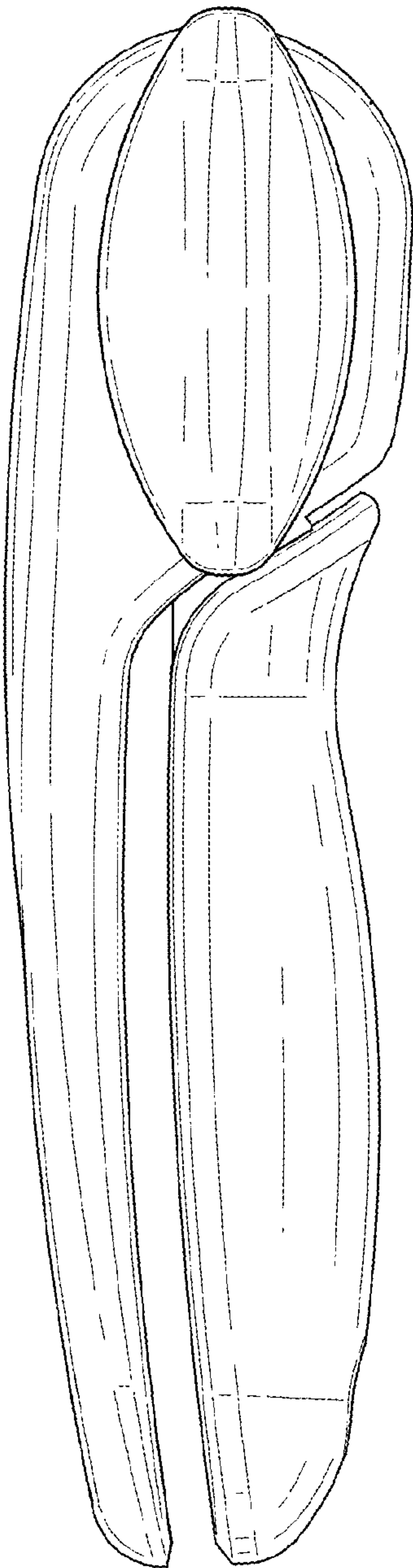


FIG. 4



FIG. 5

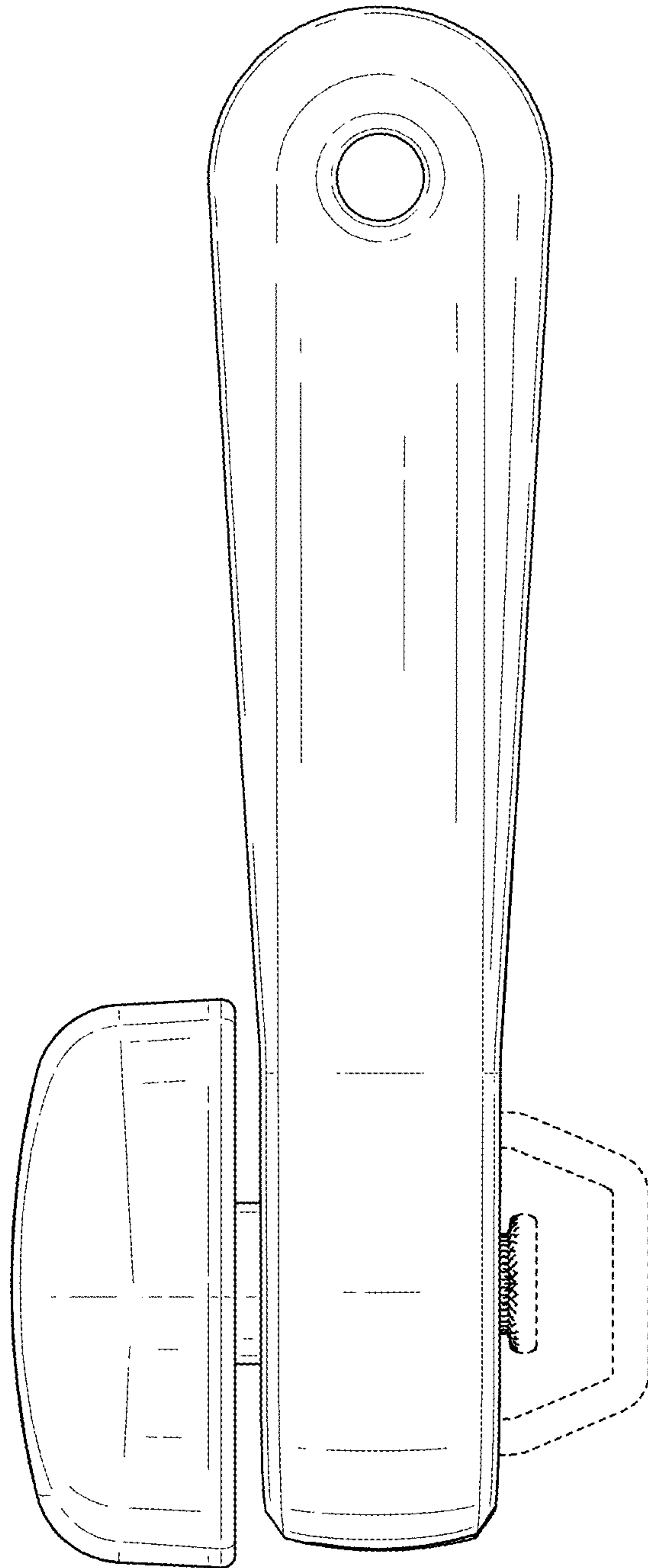


FIG. 6

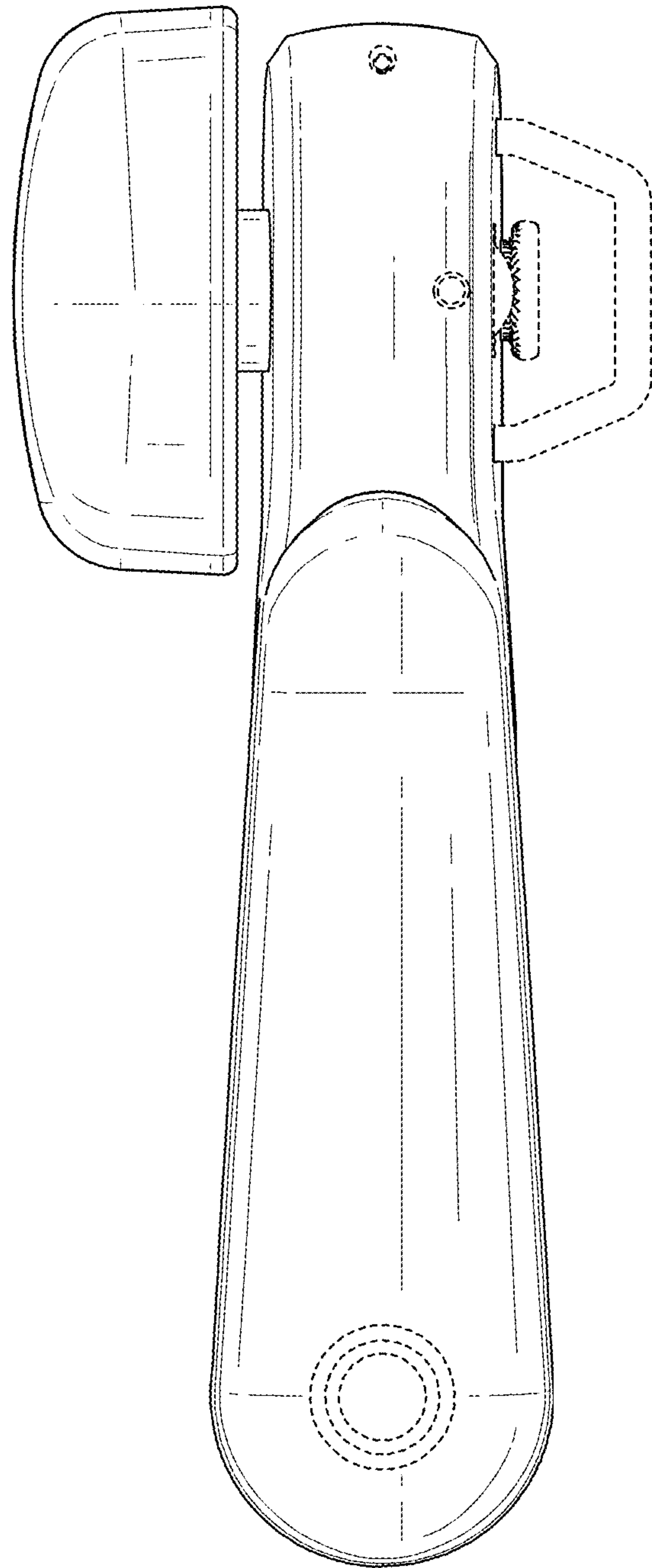


FIG. 7