



US00D721553S

(12) **United States Design Patent**
Van Dalen et al.

(10) **Patent No.:** **US D721,553 S**
(45) **Date of Patent:** **** Jan. 27, 2015**

(54) **CUTTING BLADE**

(71) Applicant: **Eye Care and Cure Asia Pte Ltd,**
Singapore (SG)
(72) Inventors: **Johan T. W. Van Dalen,** Tucson, AZ
(US); **Dan D. Carda,** Tucson, AZ (US)
(73) Assignee: **Eye Care and Cure Pte. Ltd,** Singapore
(SG)
(**) Term: **14 Years**

(21) Appl. No.: **29/483,124**

(22) Filed: **Feb. 25, 2014**

(51) **LOC (10) Cl.** **08-03**

(52) **U.S. Cl.**
USPC **D8/20**

(58) **Field of Classification Search**
CPC B26B 7/005; B26B 9/02
USPC D8/16, 19-20, 70, 98-101; D15/133,
D15/139; 7/158; 30/144, 166.3, 208, 346,
30/351; 83/835, 839, 846, 847, 848, 849,
83/850-855, 699.21

See application file for complete search history.

(56) **References Cited**

U.S. PATENT DOCUMENTS

3,204,907 A *	9/1965	Tattrie	248/211
D289,360 S *	4/1987	Westcott	D8/16
D412,230 S *	7/1999	Schmidt	D32/46
D552,135 S *	10/2007	Olsen et al.	D15/139
D610,889 S *	3/2010	Schaffer	D8/70
D663,595 S *	7/2012	Nikkel	D8/20
D684,444 S *	6/2013	Medhurst	D8/20
2013/0036616 A1 *	2/2013	Wagenknecht	30/351

* cited by examiner

Primary Examiner — Elizabeth Albert

(74) *Attorney, Agent, or Firm* — Dale F. Regelman; Quarles & Brady LLP

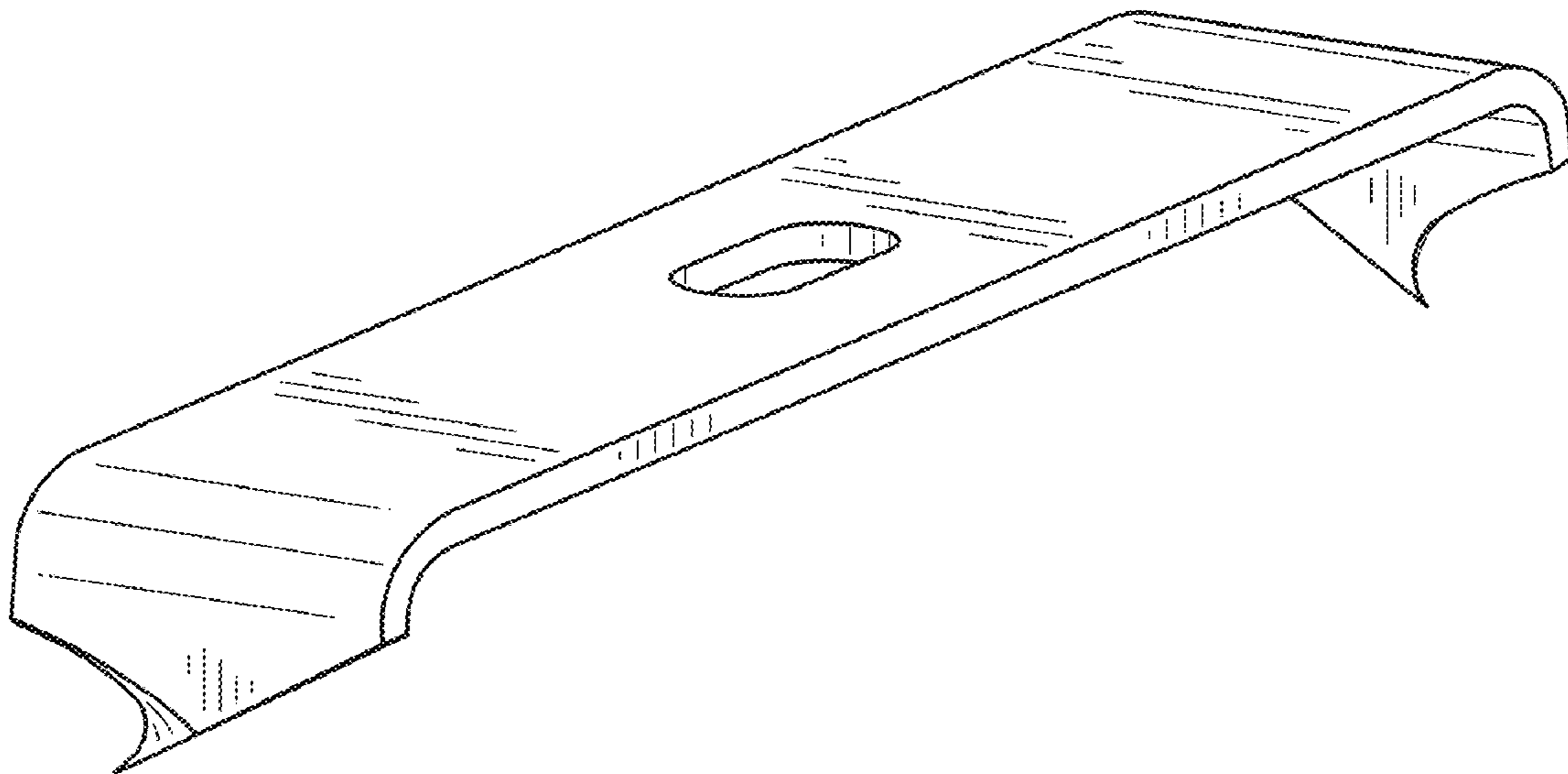
(57) **CLAIM**

The ornamental design for a cutting blade, as shown and described.

DESCRIPTION

FIG. 1 is a perspective view of the design of this invention;
FIG. 2 is a top view;
FIG. 3 is a bottom view;
FIG. 4 is a side view;
FIG. 5 is a second side view;
FIG. 6 is a front view; and,
FIG. 7 is a rear view.

1 Claim, 4 Drawing Sheets



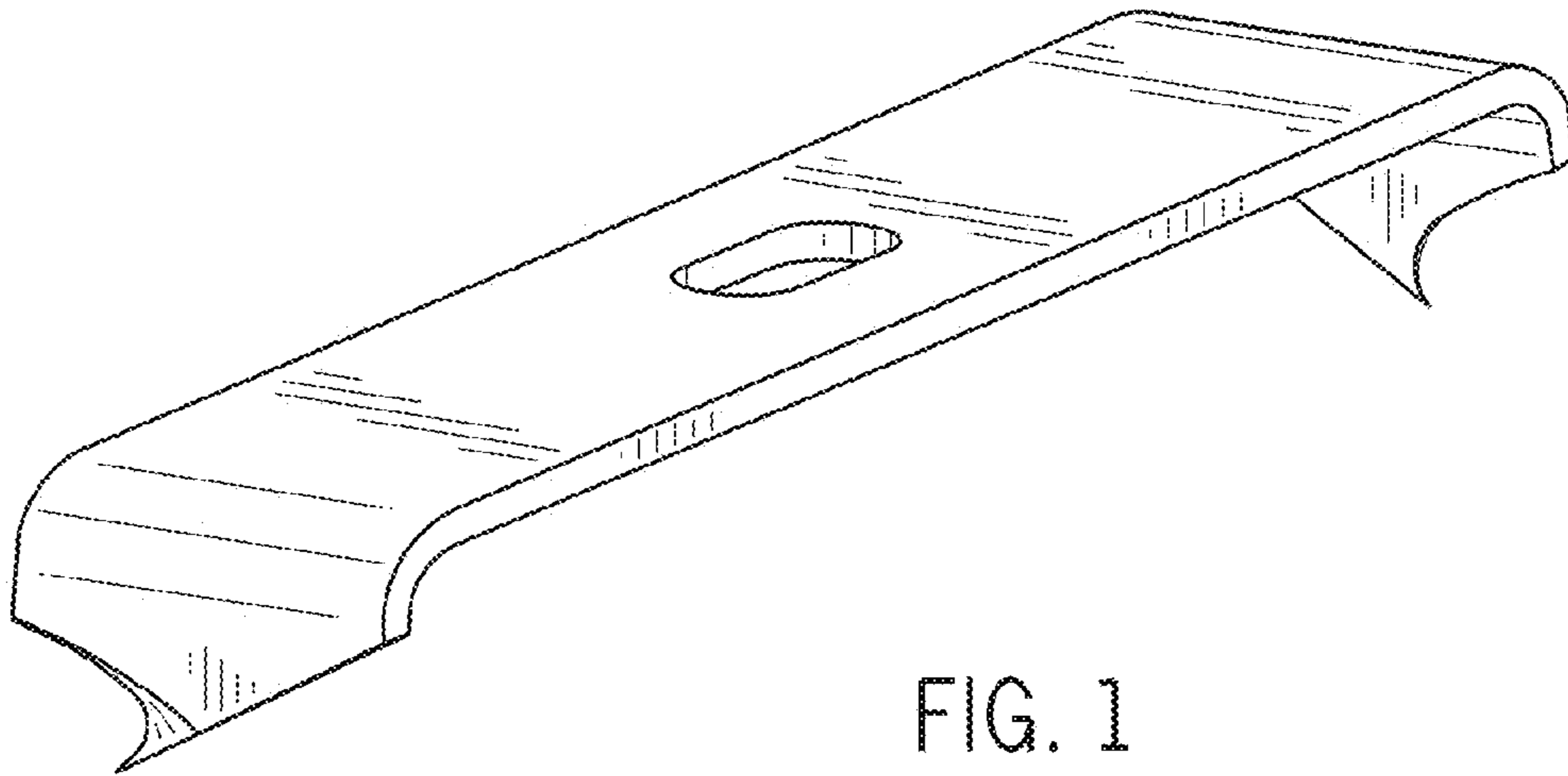


FIG. 1

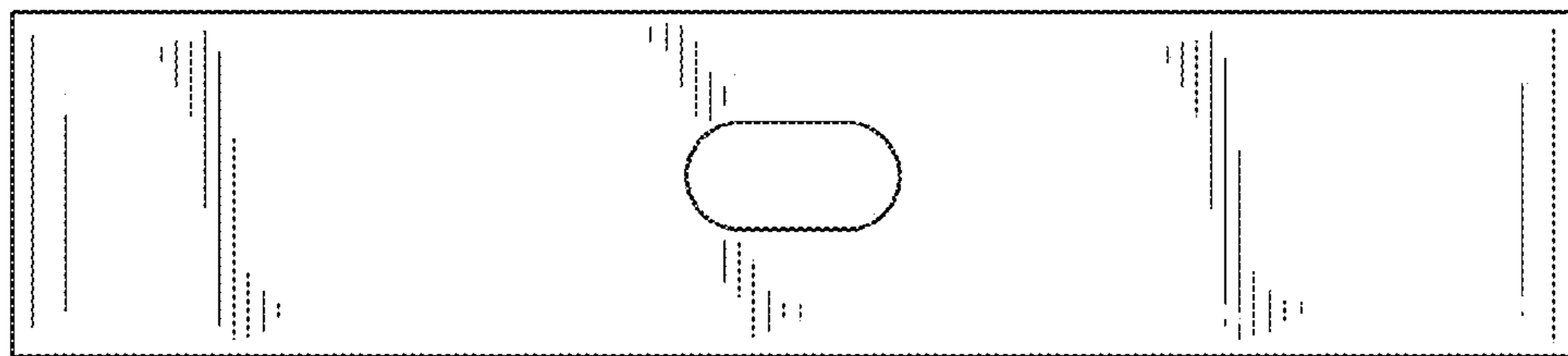


FIG. 2

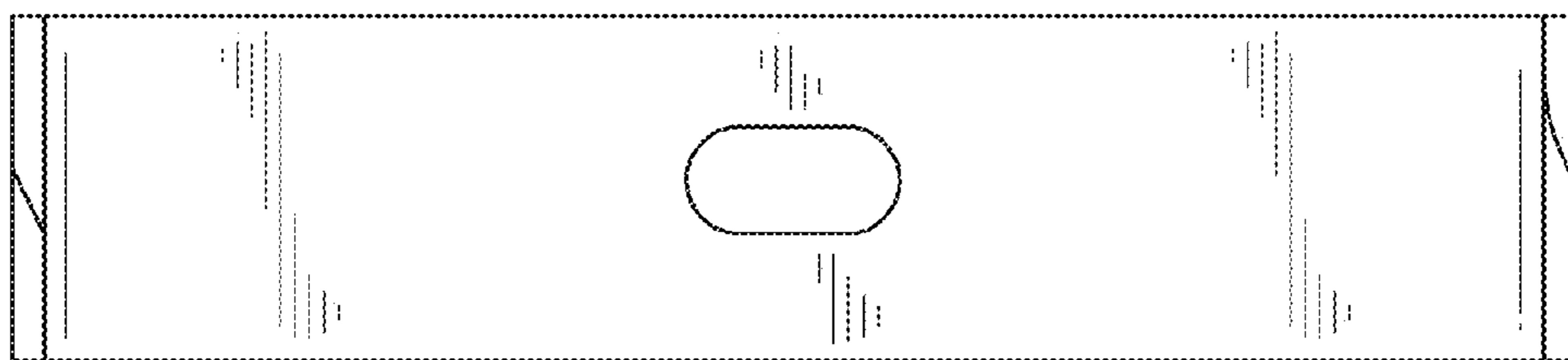


FIG. 3

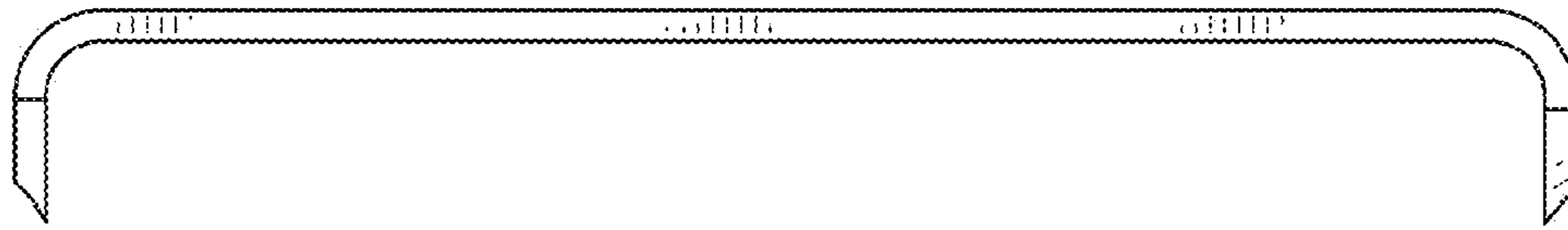


FIG. 4

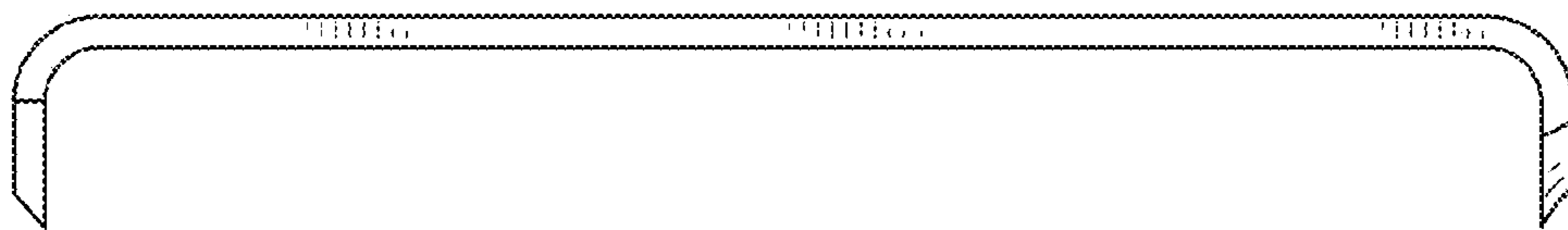


FIG. 5

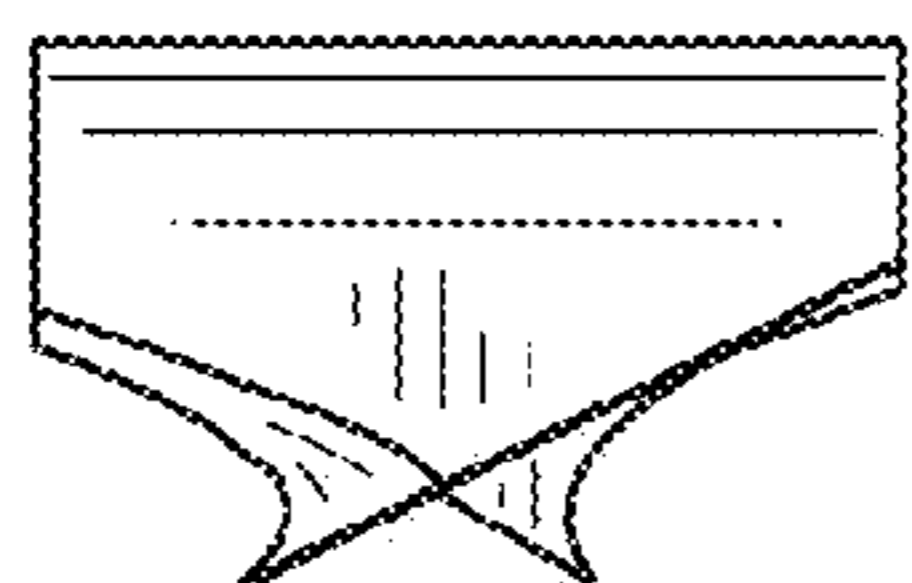


FIG. 6

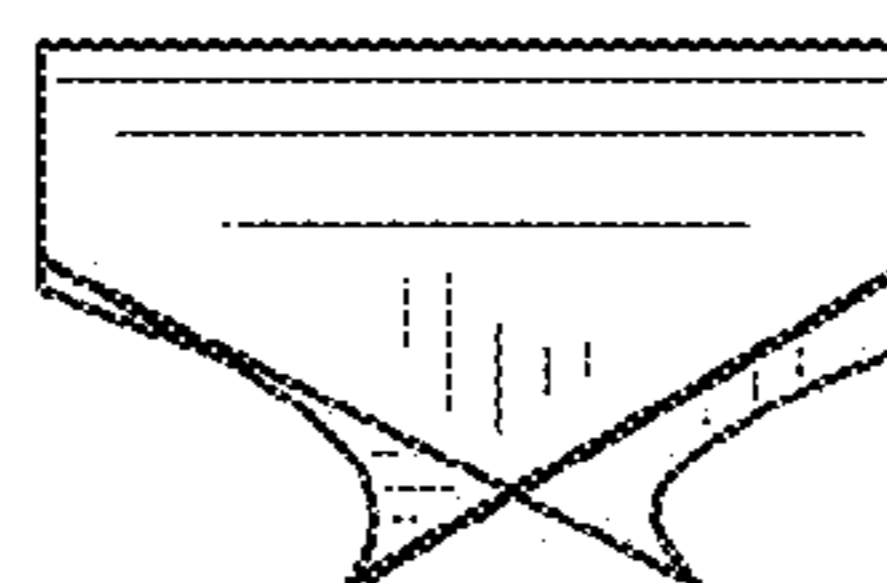


FIG. 7