



US00D721551S

(12) **United States Design Patent**  
**Carl et al.**

(10) **Patent No.:** **US D721,551 S**  
(45) **Date of Patent:** **\*\* Jan. 27, 2015**

(54) **HEDGER**

(71) Applicant: **Sears Brands, L.L.C.**, Hoffman Estates, IL (US)

(72) Inventors: **Ross Carl**, River Forest, IL (US);  
**Nicholas Dane Suchoza**, Huntersville, NC (US)

(73) Assignee: **Sears Brands, L.L.C.**, Hoffman Estates, IL (US)

(\*\*) Term: **14 Years**

(21) Appl. No.: **29/467,408**

(22) Filed: **Sep. 18, 2013**

(51) **LOC (10) Cl.** ..... **08-01**

(52) **U.S. Cl.**  
USPC ..... **D8/8**

(58) **Field of Classification Search**  
USPC ..... D8/7-9; D15/17, 1; 30/276, 208-210,  
30/228, 282-383; 56/12.7, 233-234  
See application file for complete search history.

(56) **References Cited**

U.S. PATENT DOCUMENTS

5,150,523 A *	9/1992	McCurry	.....	30/228
D354,891 S *	1/1995	McJunkin et al.	.....	D8/8
D650,643 S *	12/2011	Aoki et al.	.....	D8/8
D661,557 S *	6/2012	Sweeney	.....	D8/8
D675,072 S *	1/2013	Stratford	.....	D8/8

\* cited by examiner

*Primary Examiner* — Sheryl Lane

(74) *Attorney, Agent, or Firm* — McAndrews Held & Malloy, Ltd.

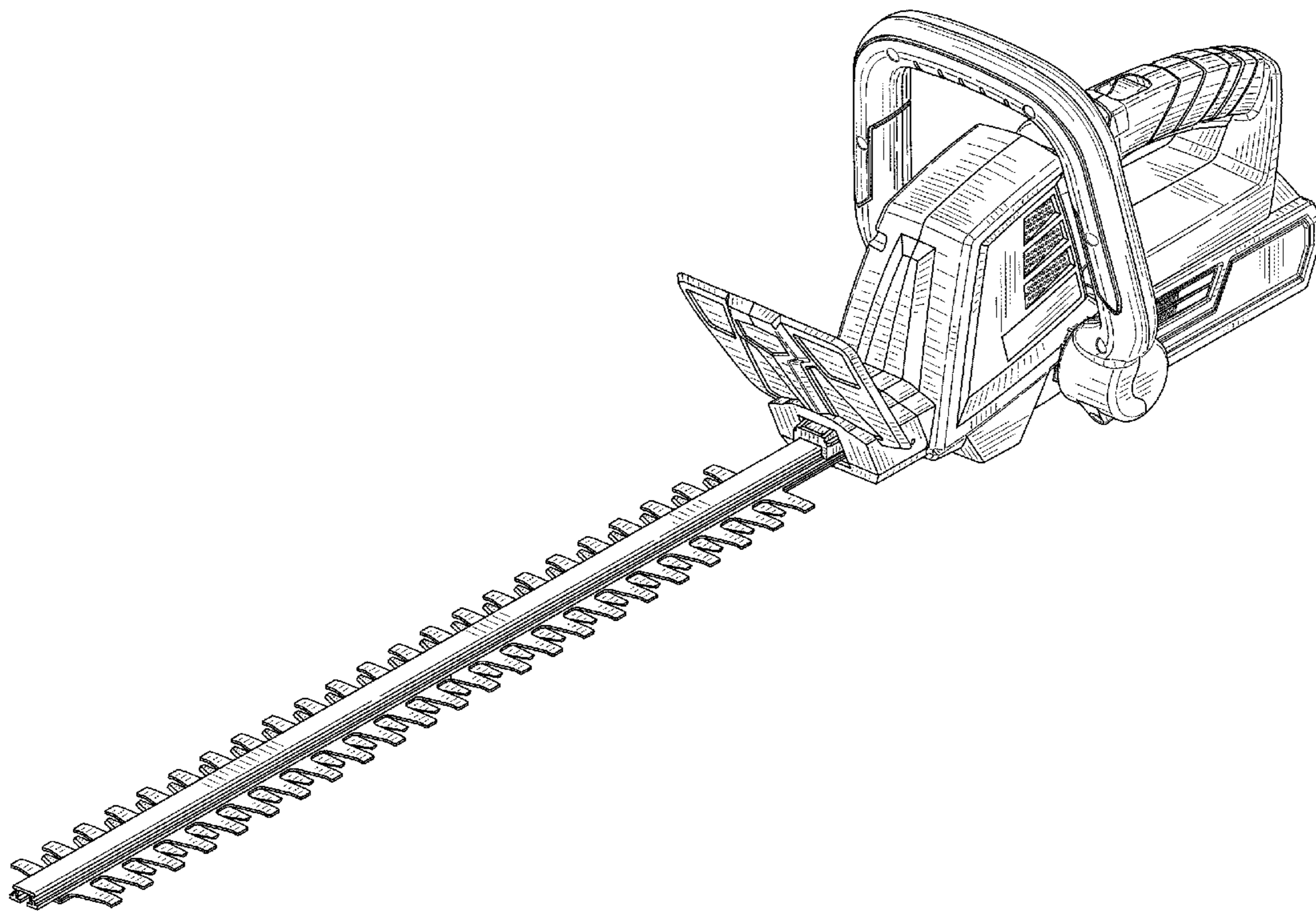
(57) **CLAIM**

The ornamental design for a hedger, as shown and described.

**DESCRIPTION**

FIG. 1 is a front right perspective view of a hedger showing our new design;  
FIG. 2 is a front elevation view thereof;  
FIG. 3 is a rear elevation view thereof;  
FIG. 4 is a left-side elevation view thereof;  
FIG. 5 is a right-side elevation view thereof;  
FIG. 6 is a top plan view thereof;  
FIG. 7 is a bottom plan view thereof; and,  
FIG. 8 is a bottom left perspective view thereof.

**1 Claim, 8 Drawing Sheets**



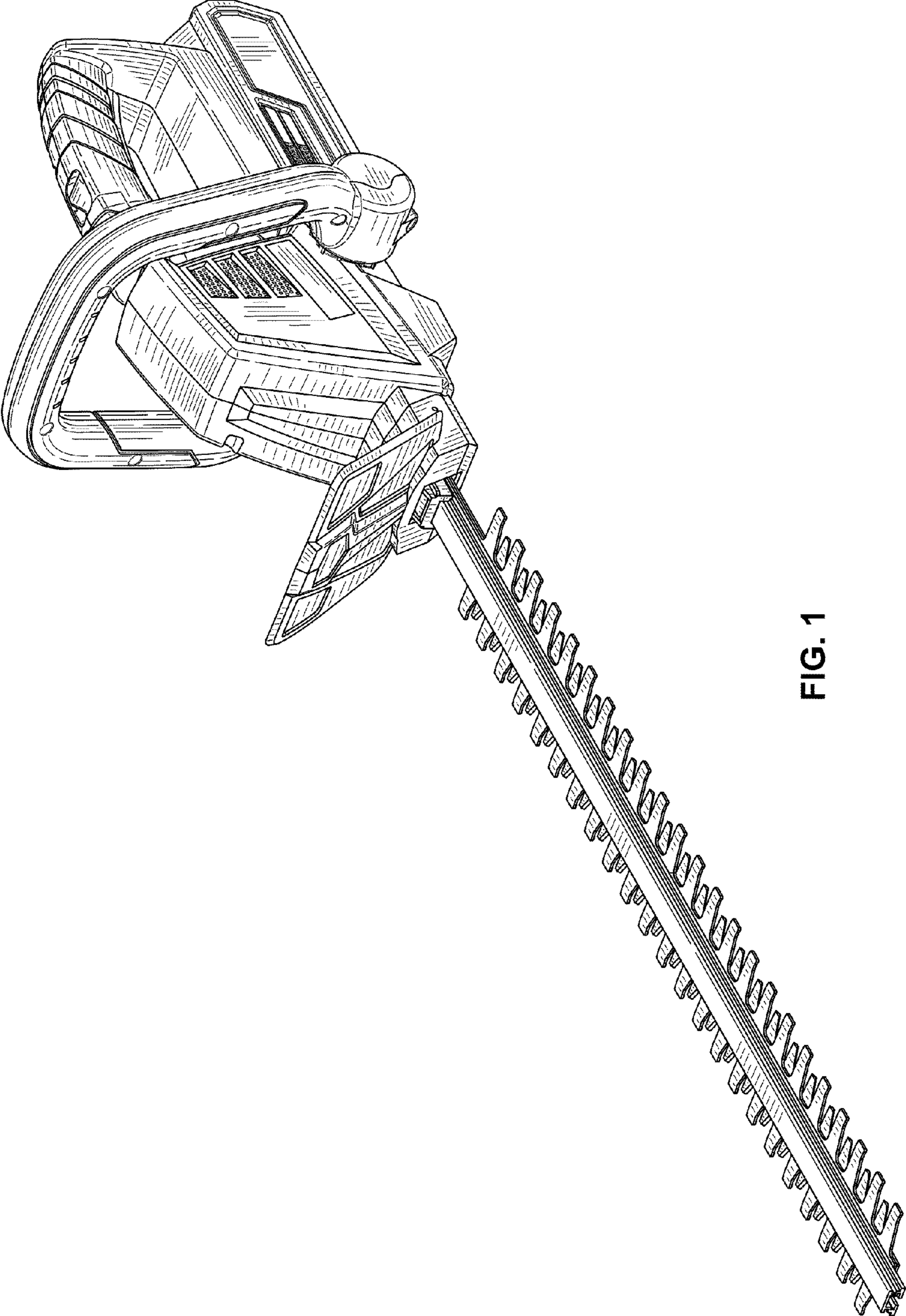


FIG. 1

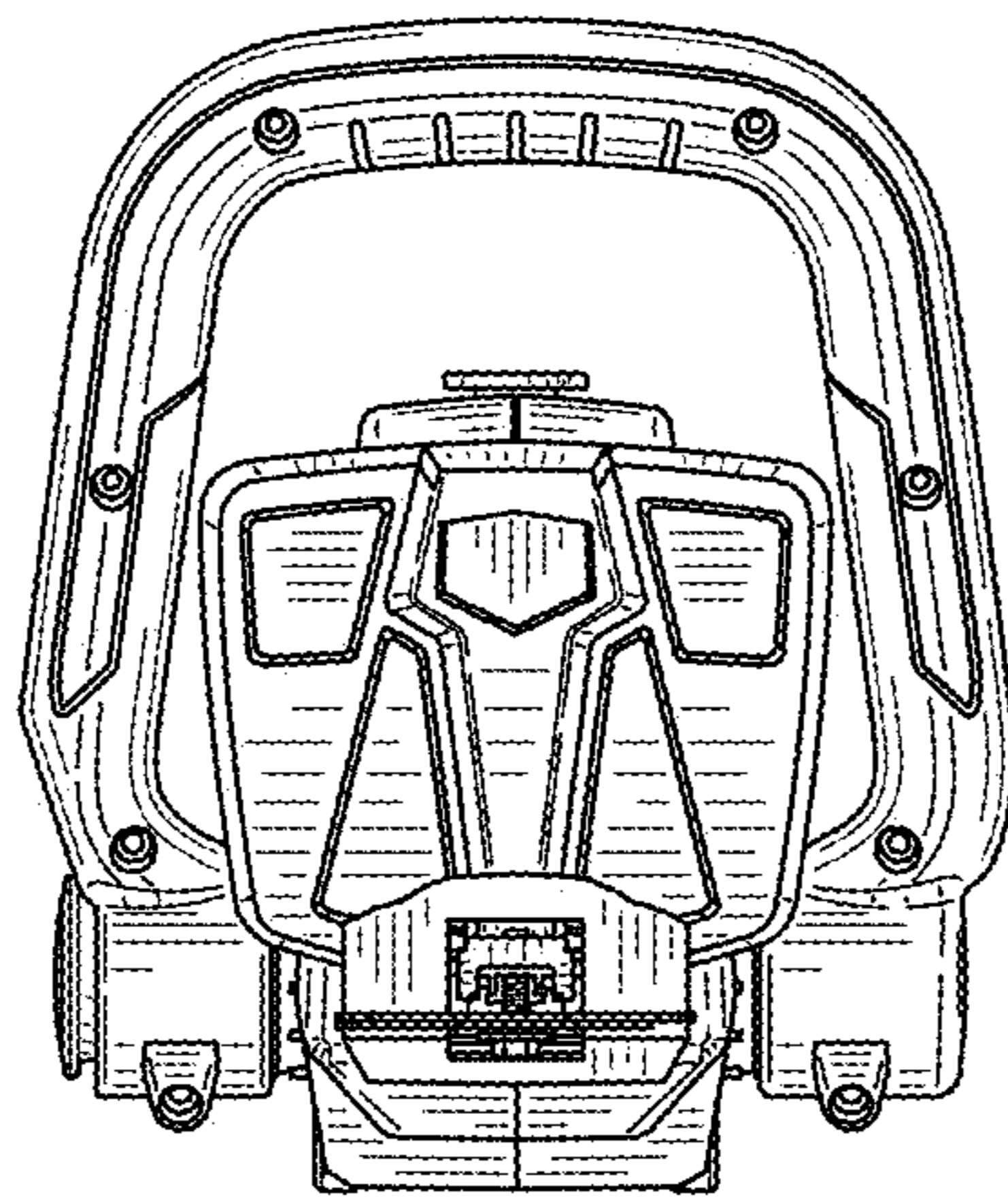


FIG. 2

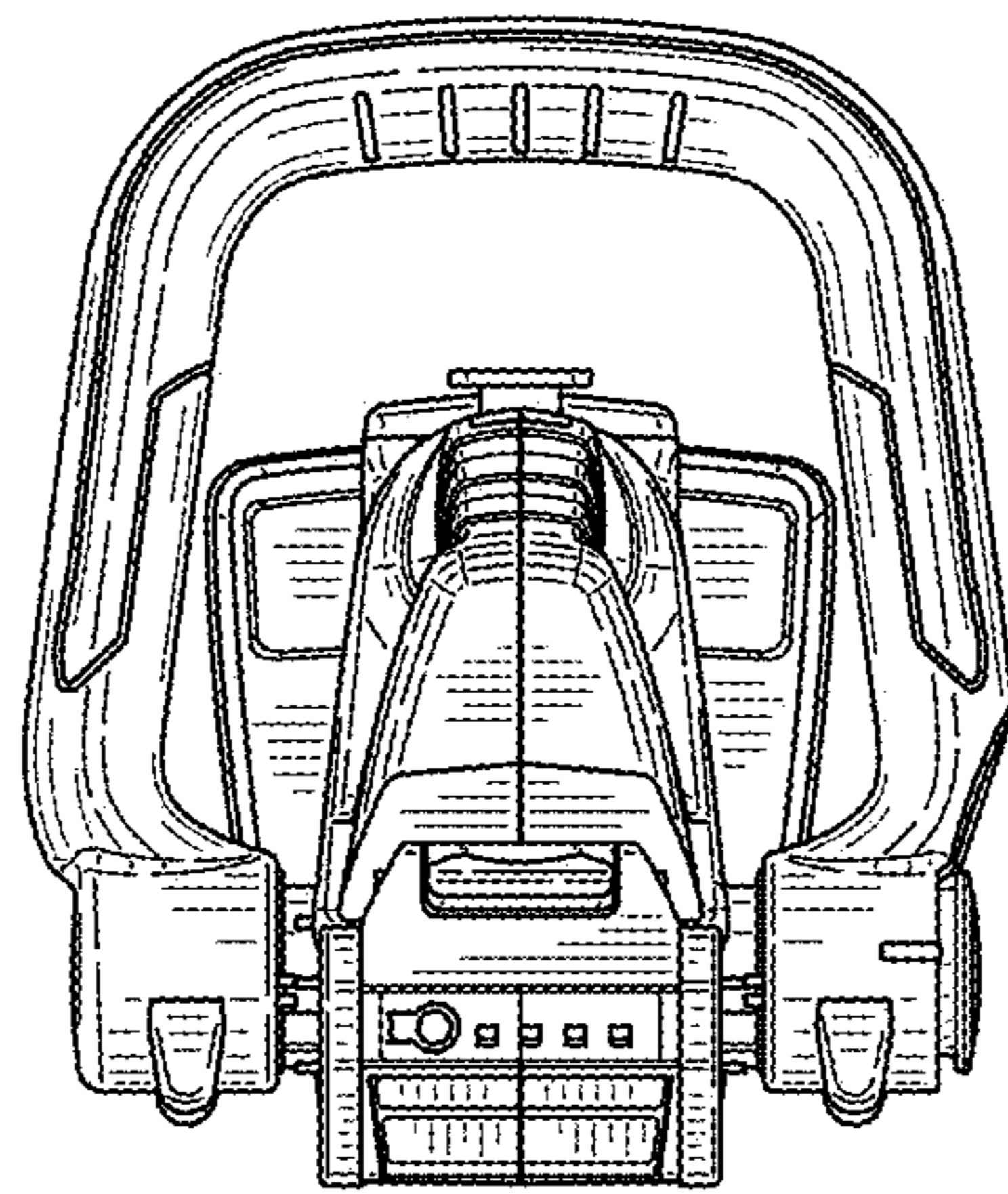


FIG. 3

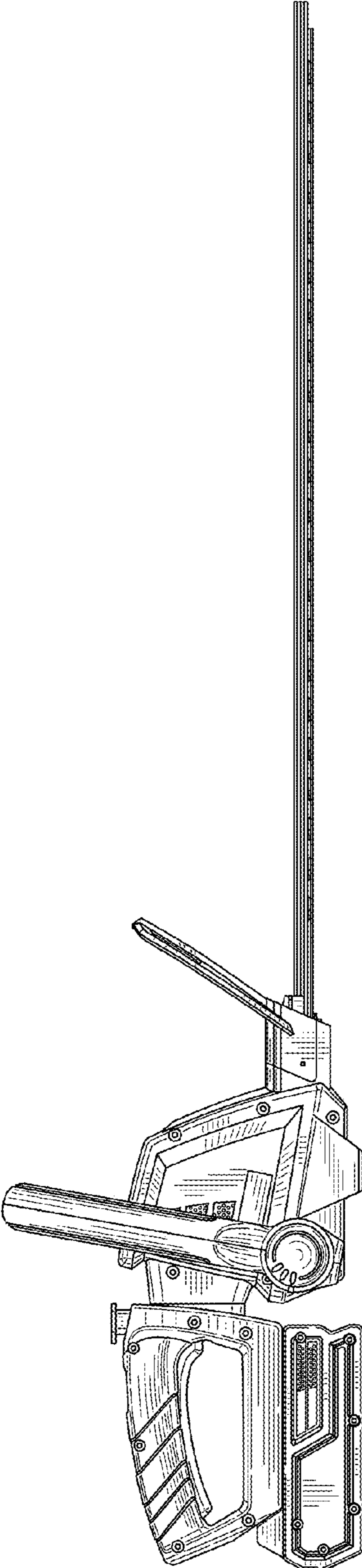


FIG. 4

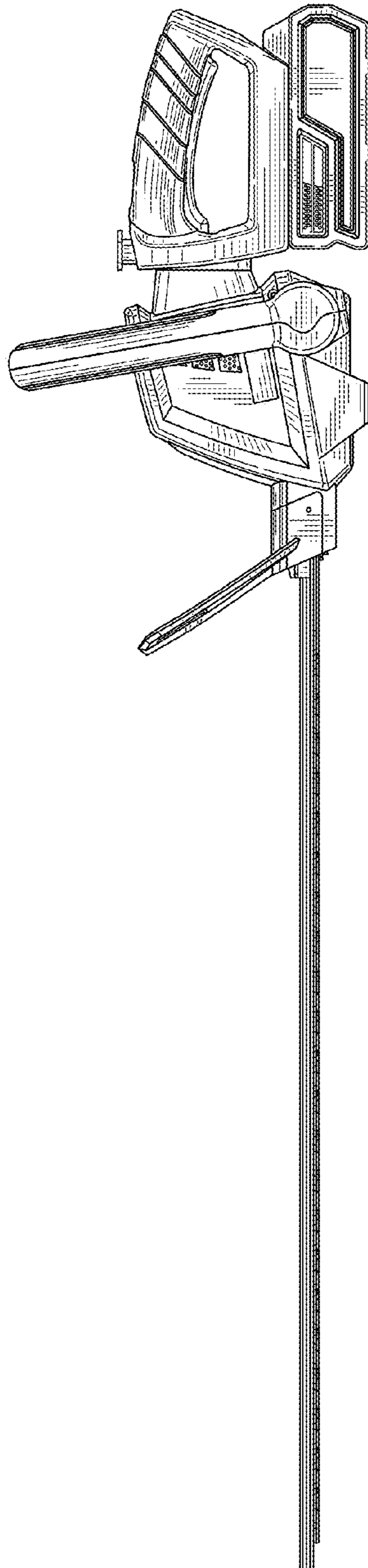


FIG. 5

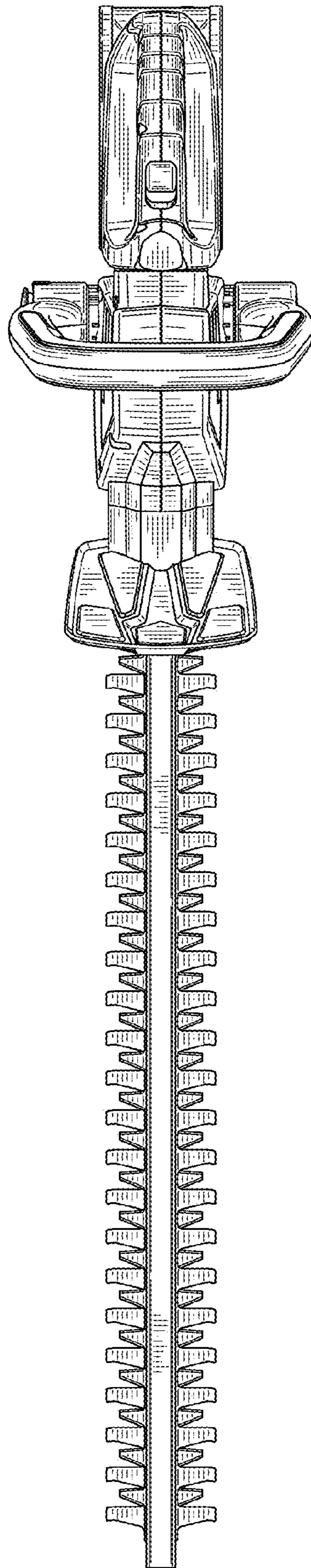


FIG. 6

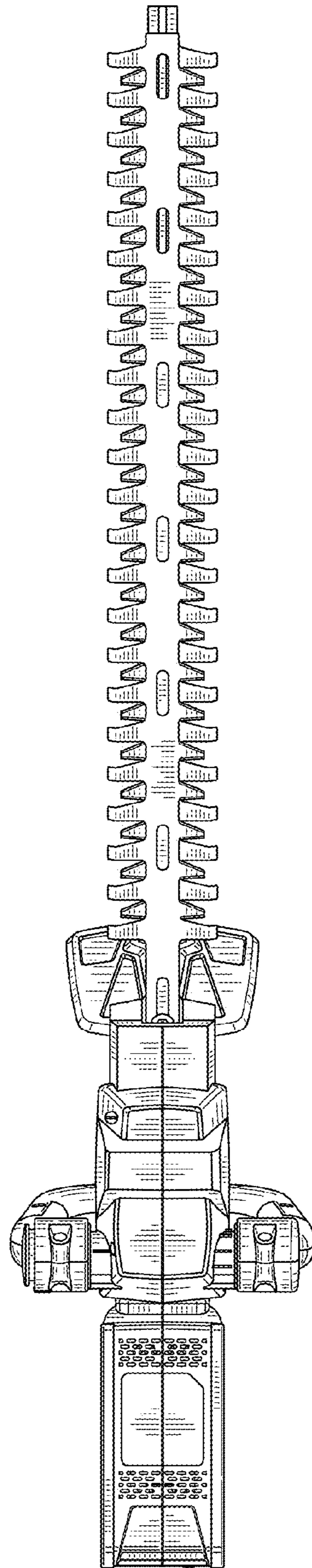


FIG. 7



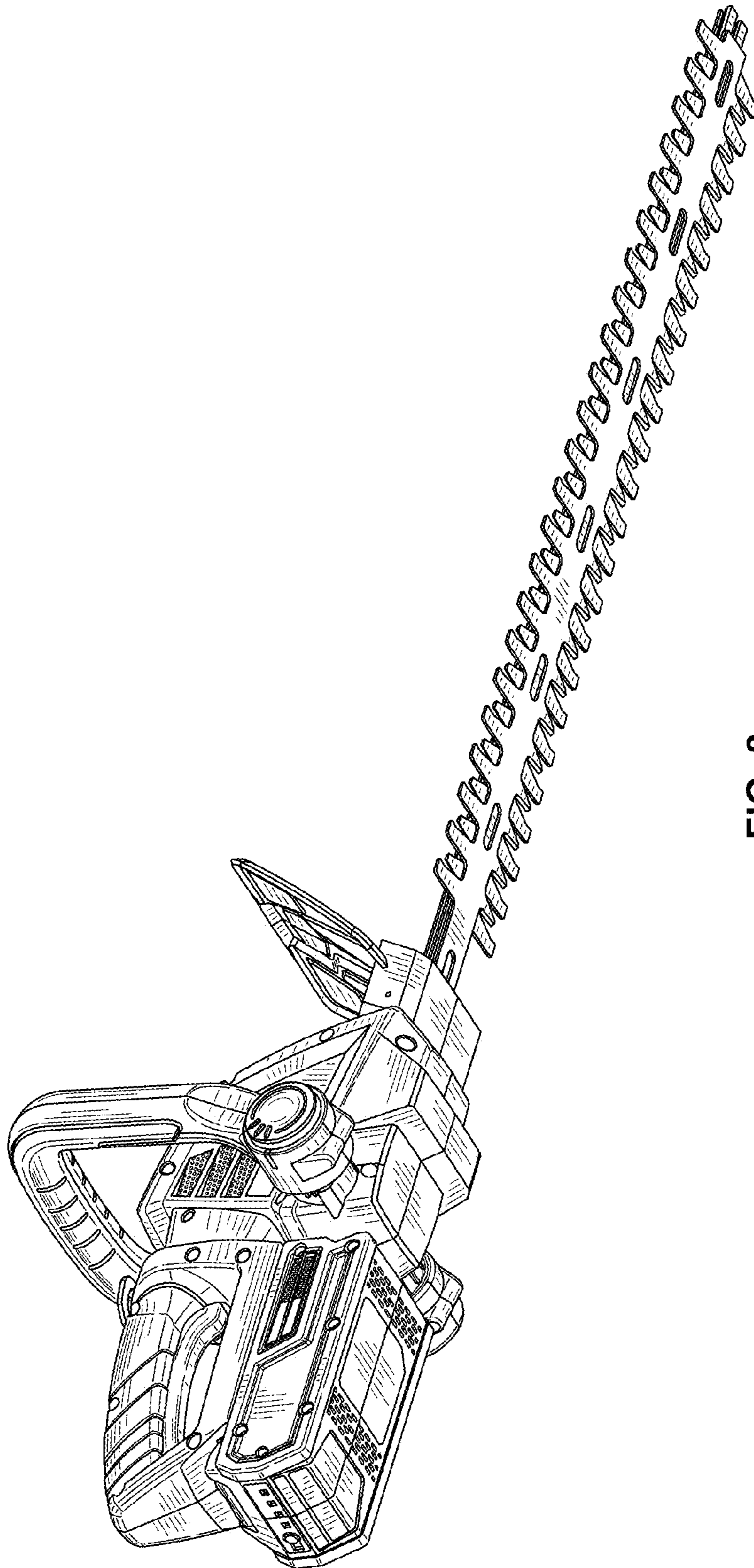


FIG. 8