



US00D721550S

(12) **United States Design Patent**
Luffman

(10) **Patent No.:** **US D721,550 S**
(45) **Date of Patent:** **** Jan. 27, 2015**

(54) **VINE PULLER**

(71) Applicant: **Jack H. Luffman**, Lake City, FL (US)

(72) Inventor: **Jack H. Luffman**, Lake City, FL (US)

(**) Term: **14 Years**

(21) Appl. No.: **29/442,850**

(22) Filed: **May 29, 2013**

(51) **LOC (10) Cl.** **08-01**

(52) **U.S. Cl.**
USPC **D8/1**

(58) **Field of Classification Search**
USPC D8/1; 171/82, 83, 141, 124, 135;
56/225, 382, 349, 303
See application file for complete search history.

(56) **References Cited**

U.S. PATENT DOCUMENTS

288,588	A	11/1883	Mount et al.	
2,561,082	A	7/1951	Way	
3,091,401	A *	5/1963	Hruby, Jr.	239/276
5,330,010	A	7/1994	Smotherman	
D354,889	S *	1/1995	Diedrick	D8/1
5,490,374	A *	2/1996	Calande	56/400.21
D406,020	S *	2/1999	Reed et al.	D8/1
5,937,626	A	8/1999	Gorman	
D416,189	S *	11/1999	Bollman	D8/382

D456,701	S *	5/2002	Platt	D8/382
D491,055	S *	6/2004	Chou	D8/382
D603,250	S *	11/2009	Hsu	D8/382
D657,300	S *	4/2012	Wright	D12/317

* cited by examiner

Primary Examiner — Sheryl Lane

(74) *Attorney, Agent, or Firm* — Paul R. Martin

(57) **CLAIM**

The ornamental design for a vine puller, as shown and described.

DESCRIPTION

FIG. 1 is a perspective view of the vine puller of my new design.

FIG. 2 is an elevational view of the front thereof. An elevational view of the back is a mirror image thereof.

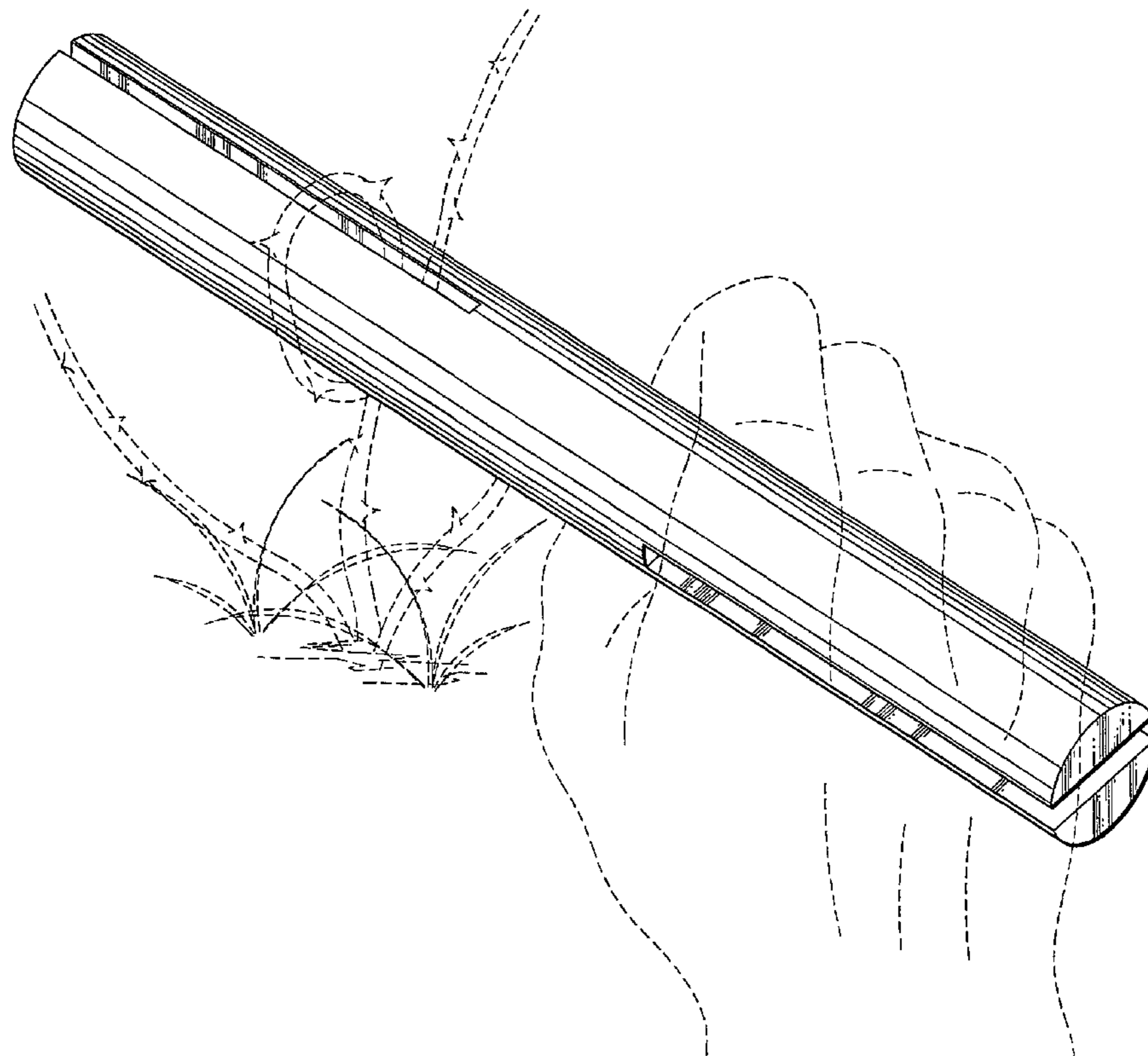
FIG. 3 is a top plan view thereof. A bottom plan view is a mirror image thereof.

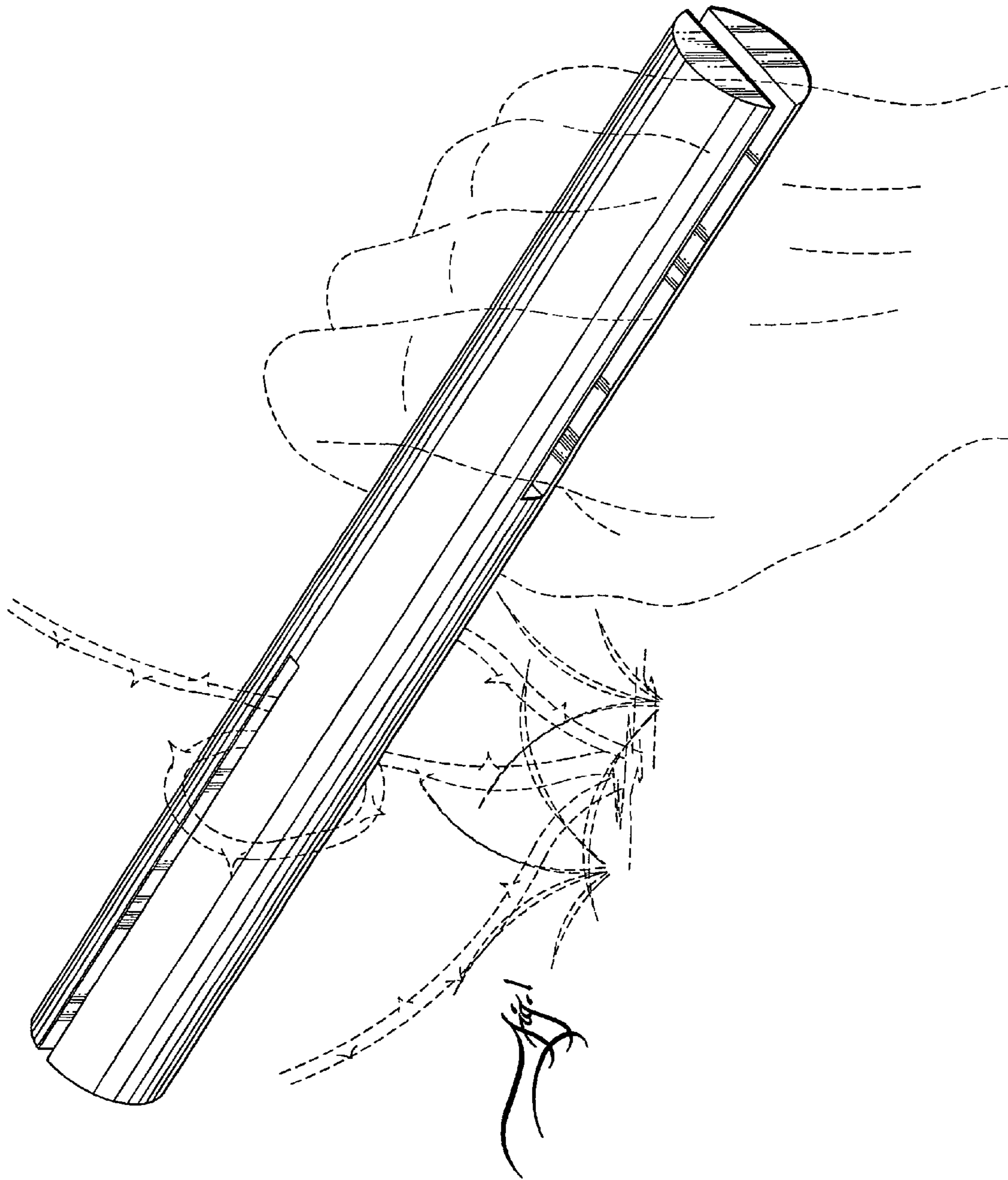
FIG. 4 is an elevational view of the right end of my vine puller, as shown in FIG. 1; and,

FIG. 5 is an elevational view of the left end of my vine puller, as shown in FIG. 1.

The broken line elements in FIG. 1, depicting a vine, and a hand, are environmental background and are not a part of my new design.

1 Claim, 3 Drawing Sheets





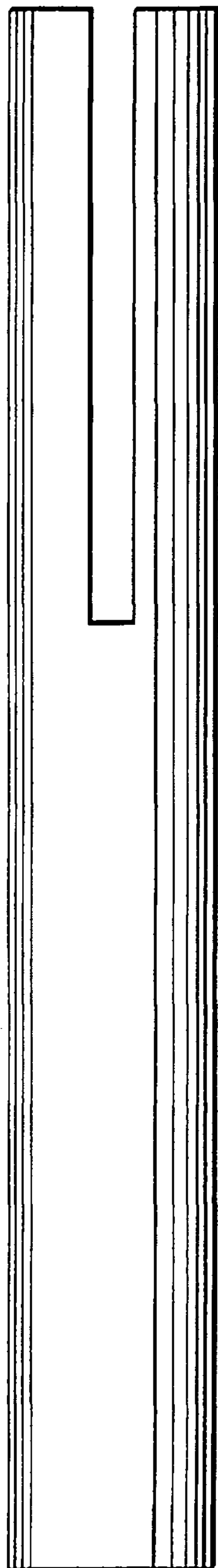


Fig. 2

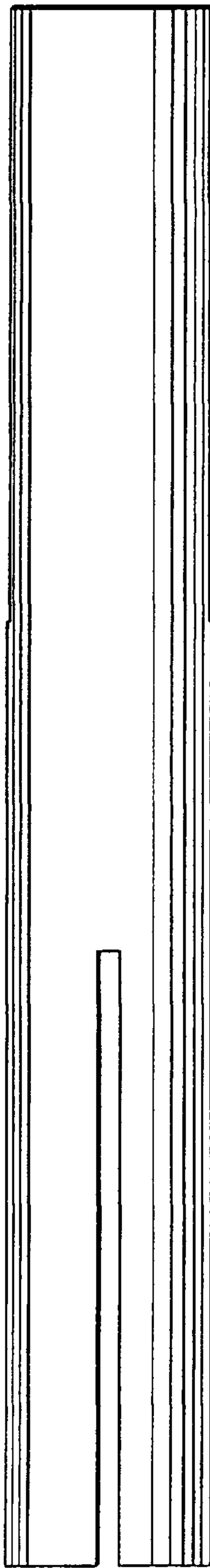


Fig. 3

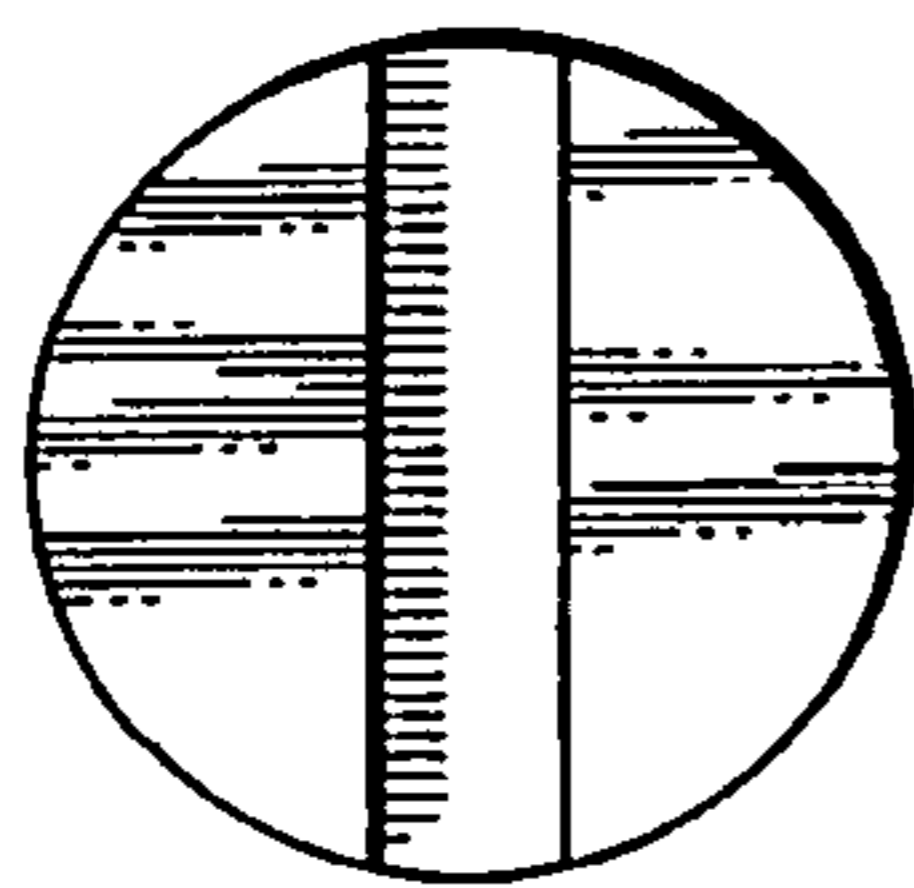


Fig. 4

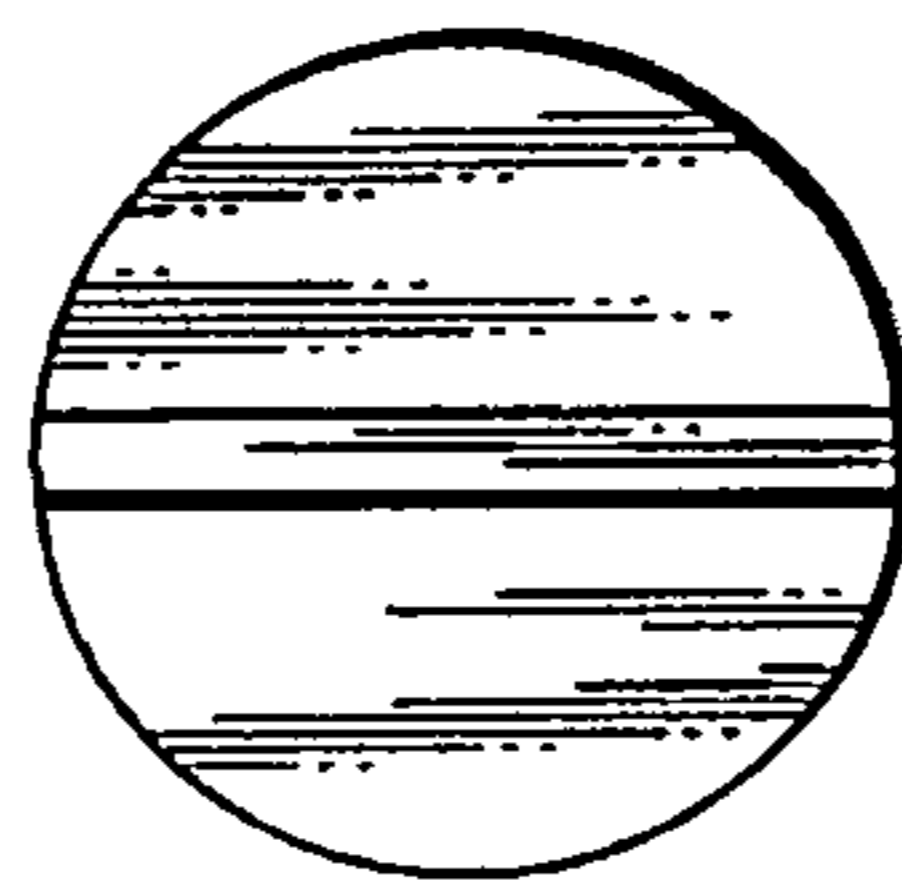


Fig. 5