



US00D721549S

(12) **United States Design Patent**  
**Li**

(10) **Patent No.:** **US D721,549 S**  
(45) **Date of Patent:** **\*\* Jan. 27, 2015**

(54) **JUICER**

(71) Applicant: **Koju Company Limited**, Hong Kong (HK)

(72) Inventor: **Huaxiu Li**, Hong Kong (HK)

(73) Assignee: **Koju Company Limited**, Hong Kong (HK)

(\*\*) Term: **14 Years**

(21) Appl. No.: **29/460,148**

(22) Filed: **Jul. 8, 2013**

(51) **LOC (10) Cl.** ..... **07-06**

(52) **U.S. Cl.**  
USPC ..... **D7/666**

(58) **Field of Classification Search**

CPC ..... A47J 19/02; A47J 19/027  
USPC ..... D7/368, 669, 665-667, 412, 376-386,  
D7/372; 99/501-513, 495, 499, 348, 357,  
99/349, 279, 284, 369, 370, 496-497, 280,  
99/290; 100/213, 218, 283, 288, 208;  
366/197-211, 241-254, 279-292,  
366/341-347, 64-67; 241/92,  
241/101.1-101.73, 285.1-285.3, 36, 37,  
241/100, 282.1

See application file for complete search history.

(56) **References Cited**

U.S. PATENT DOCUMENTS

D47,932 S *	10/1915	Morgan	.....	D7/666
D85,709 S *	12/1931	Morin	.....	D7/666
D260,351 S *	8/1981	Shun	.....	D7/372
D424,889 S *	5/2000	Yip	.....	D7/679
D475,253 S *	6/2003	Yip	.....	D7/666

\* cited by examiner

*Primary Examiner* — Terry Wallace

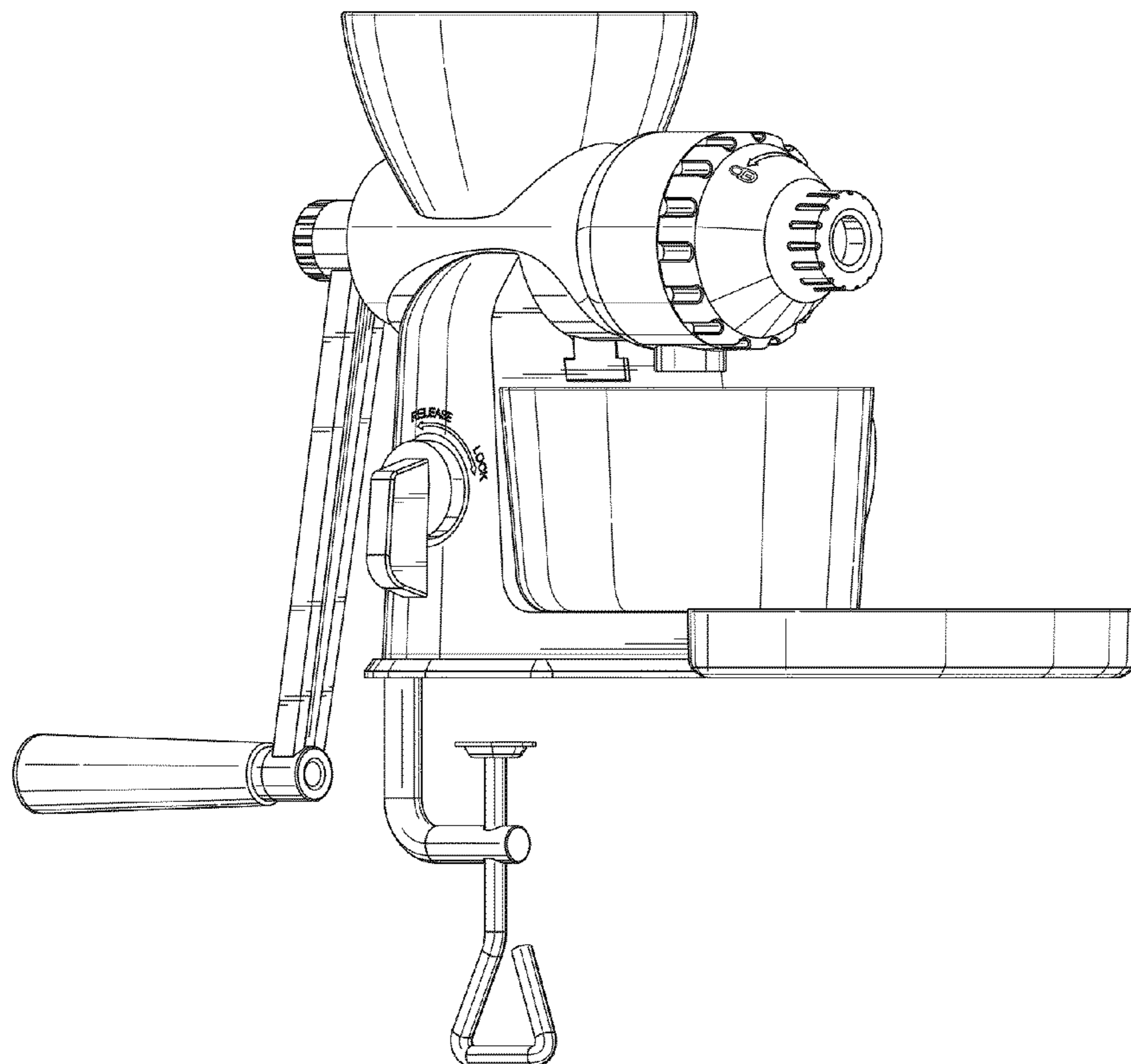
(57) **CLAIM**

The ornamental design for a juicer, as shown and described.

**DESCRIPTION**

FIG. 1 is a perspective view of a juicer of my new design;  
FIG. 2 is a front view of the juicer thereof;  
FIG. 3 is a rear view of the juicer thereof;  
FIG. 4 is a top view of the juicer thereof;  
FIG. 5 is a bottom view of the juicer thereof;  
FIG. 6 is a left view of the juicer thereof; and,  
FIG. 7 is a right view of the juicer thereof.

**1 Claim, 7 Drawing Sheets**



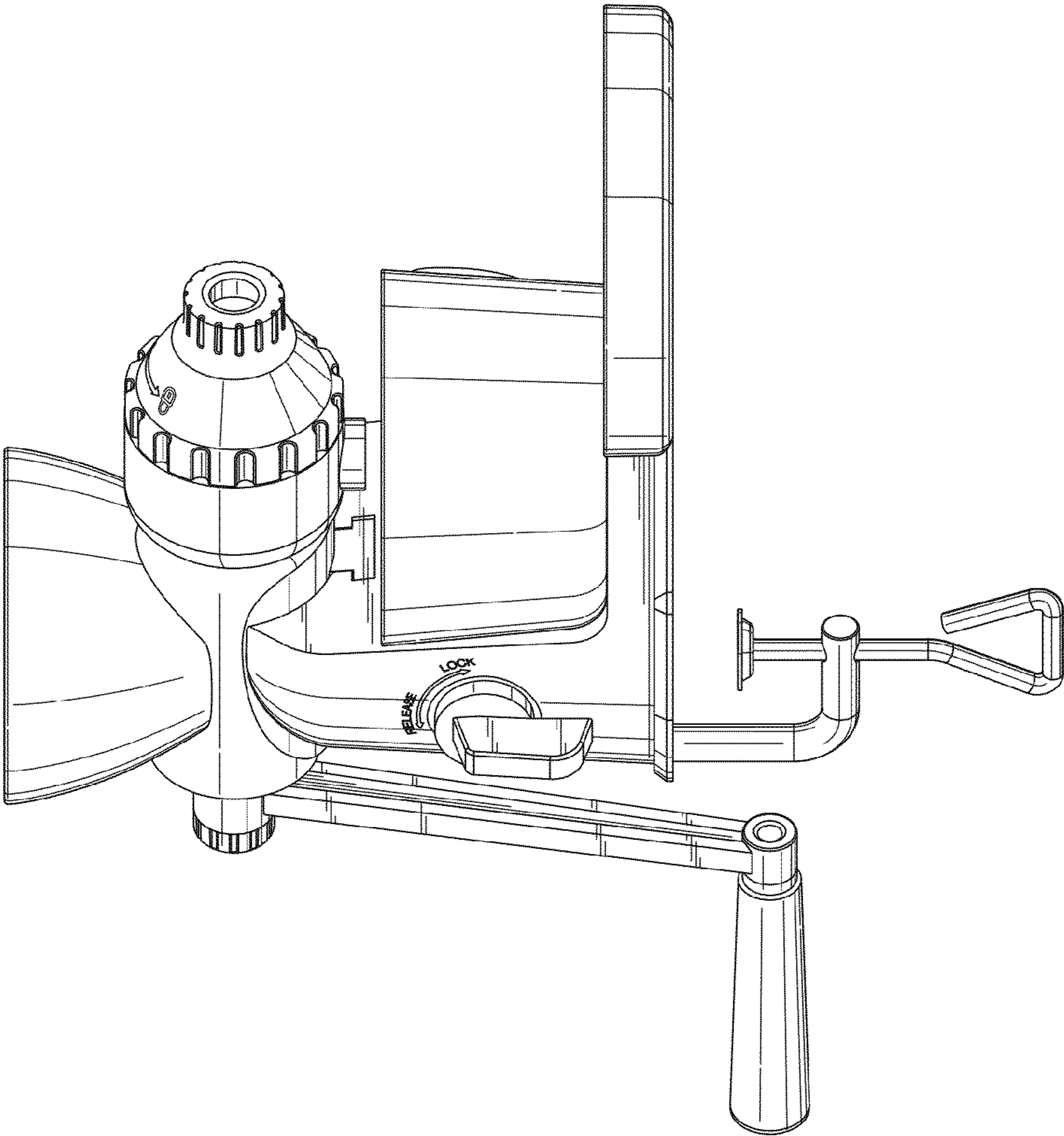


Fig. 1

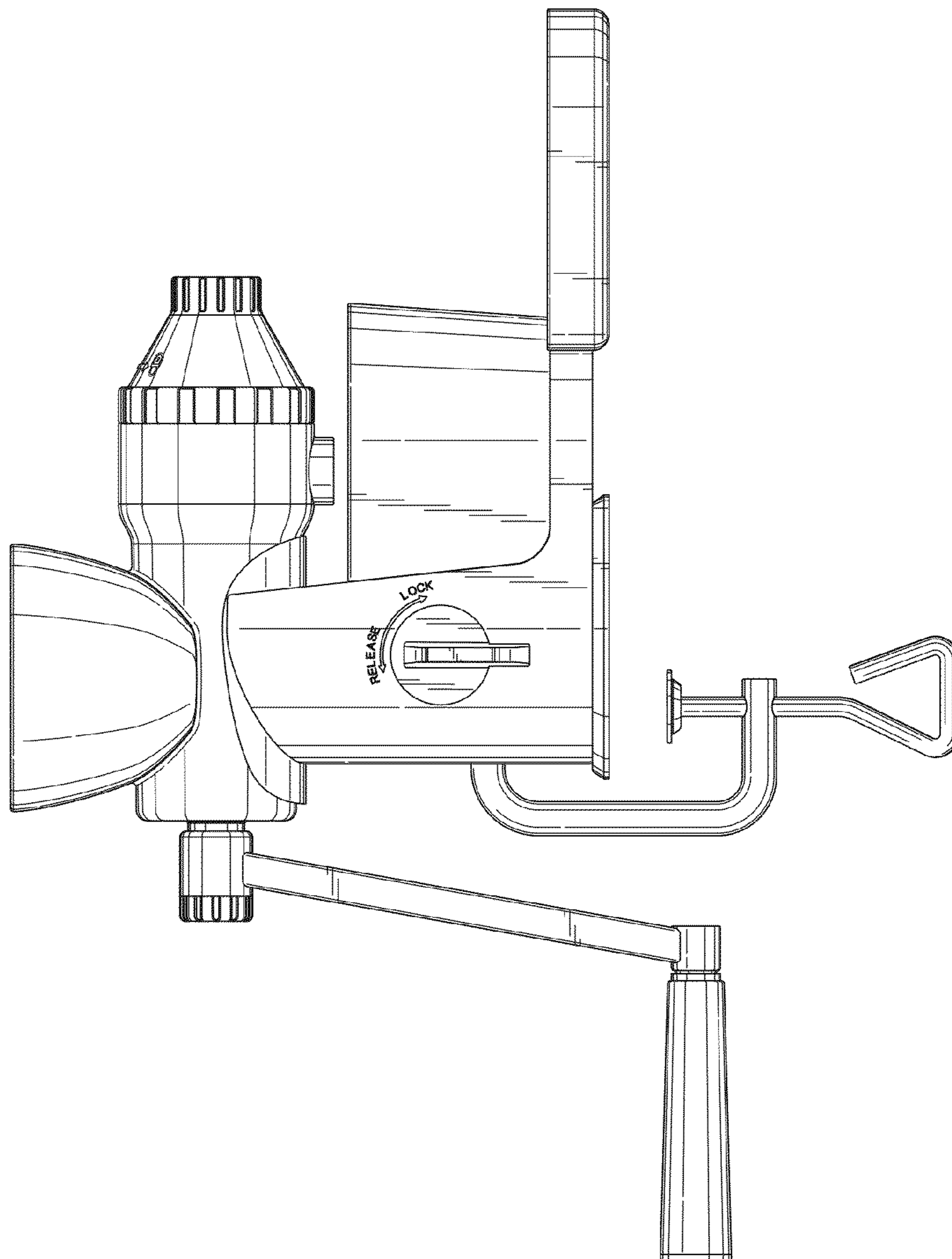


Fig. 2

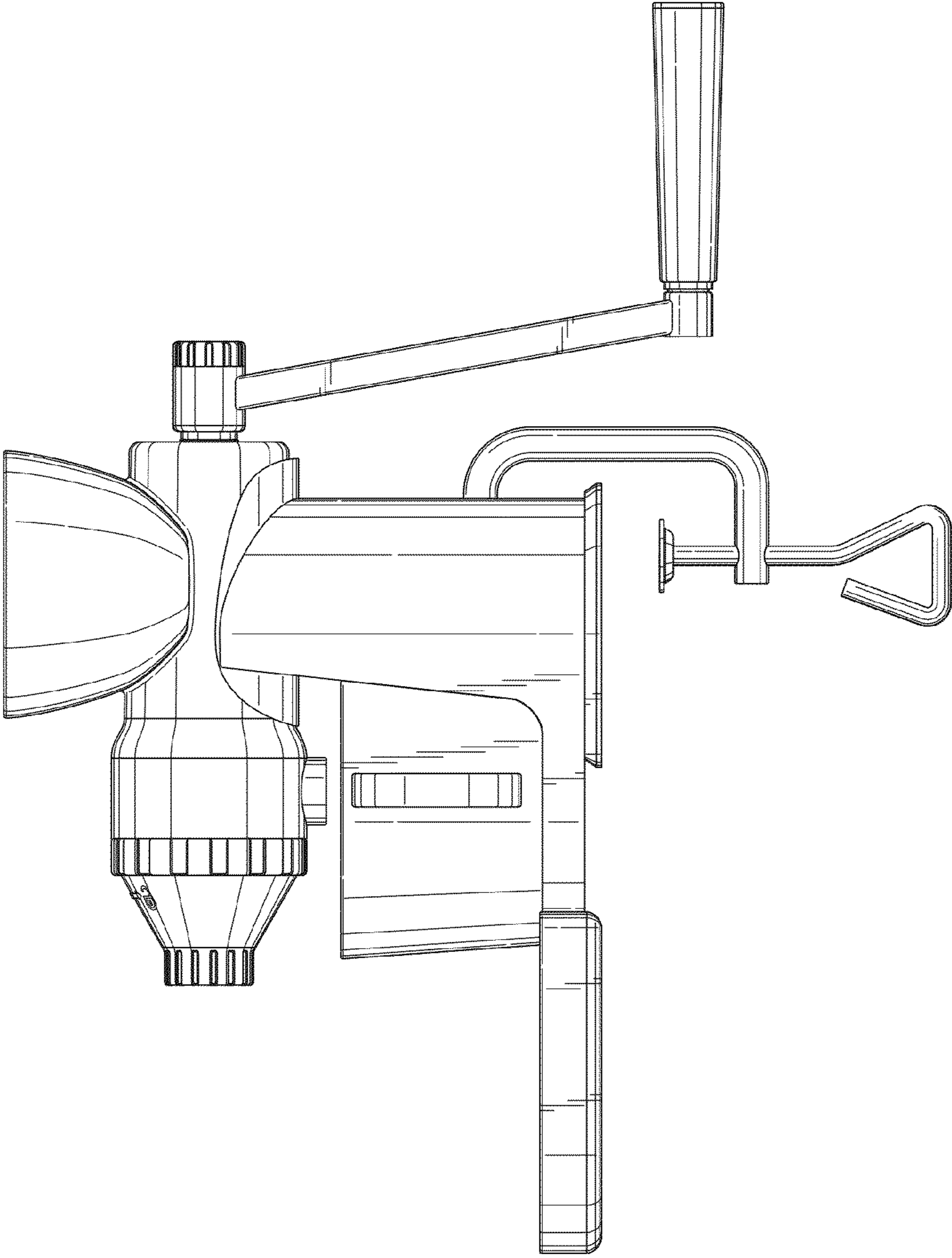


Fig. 3

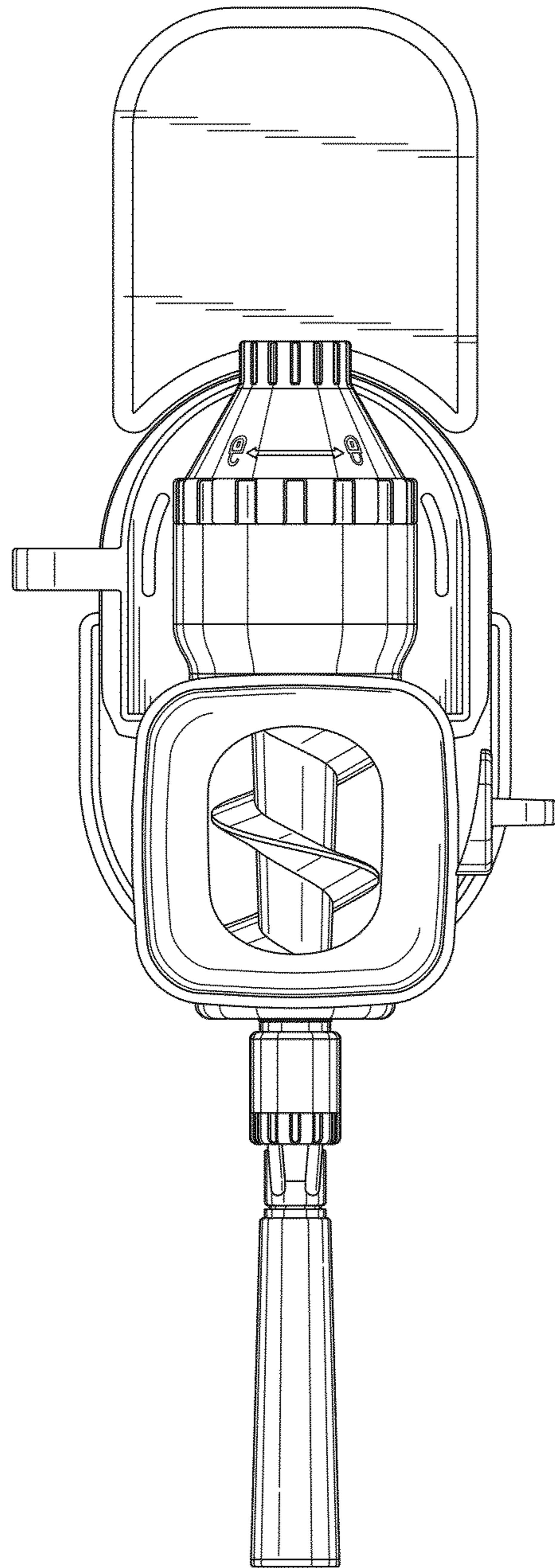


Fig. 4

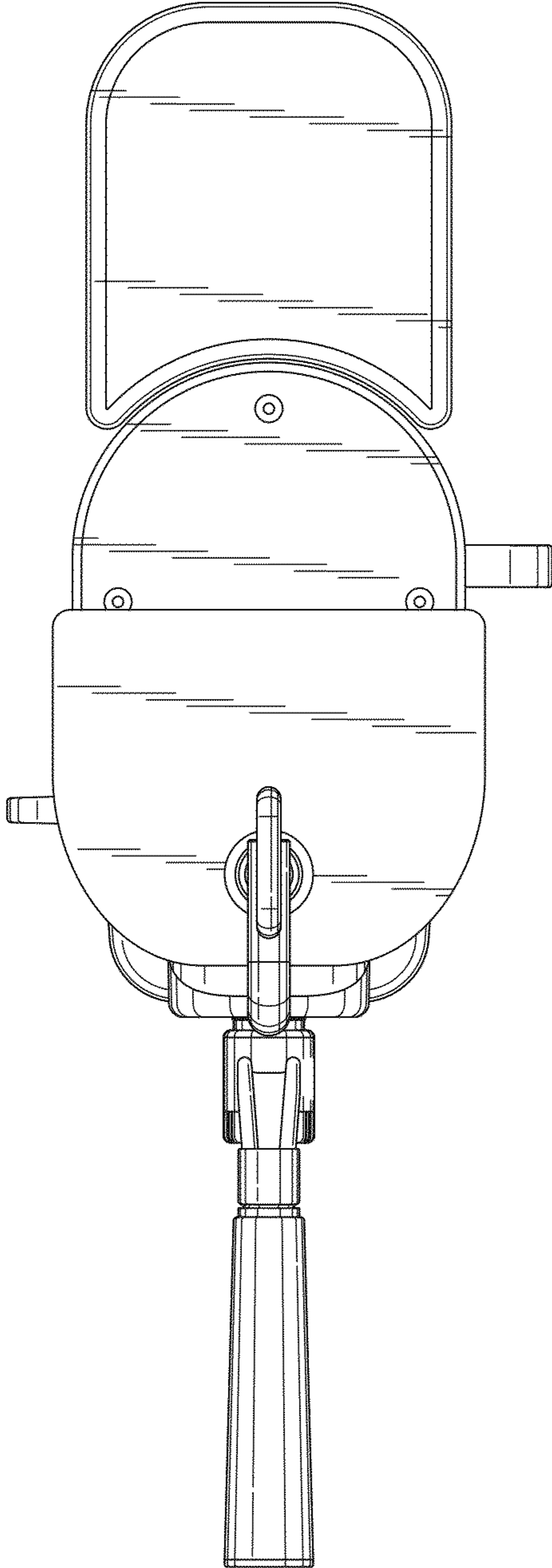


Fig. 5

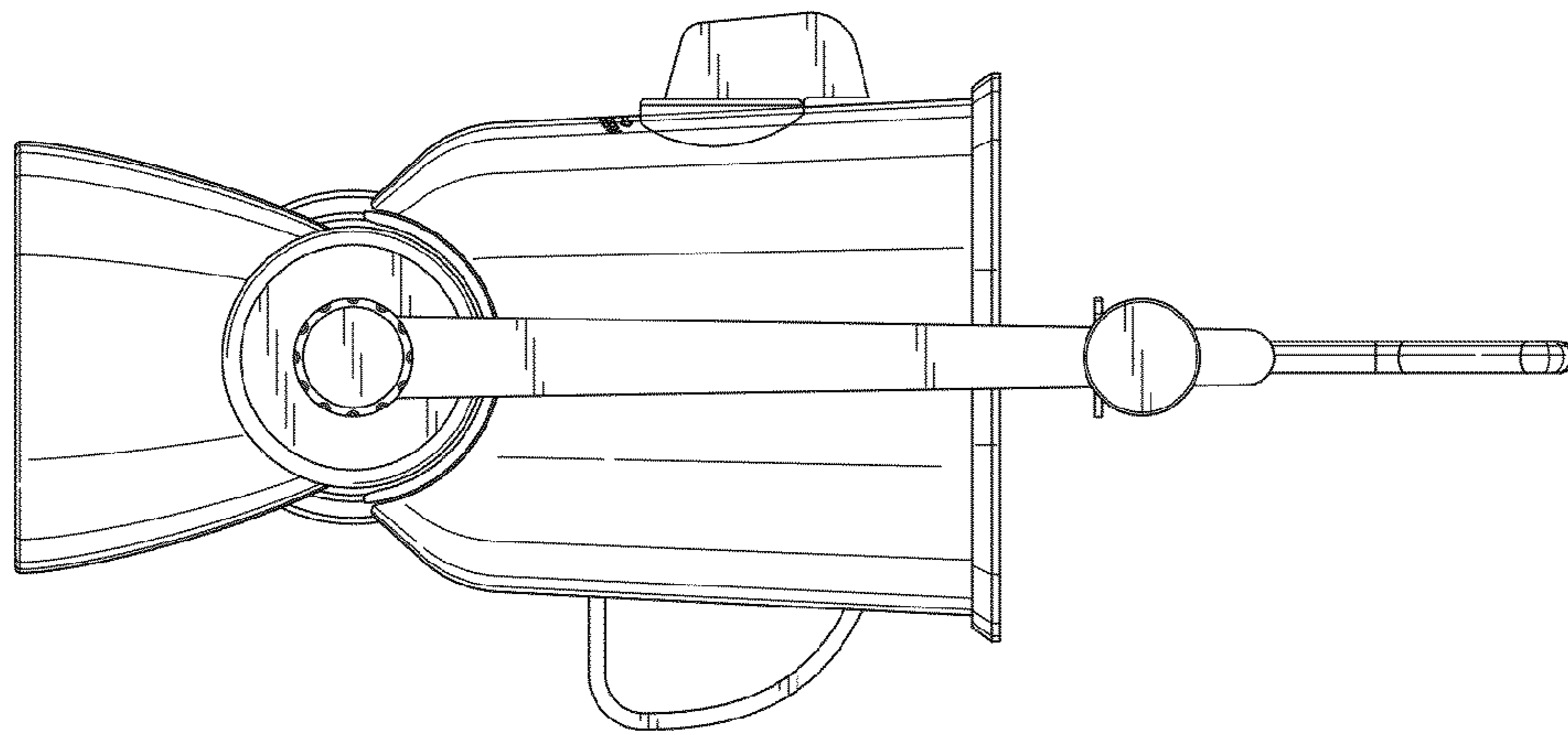


Fig. 6

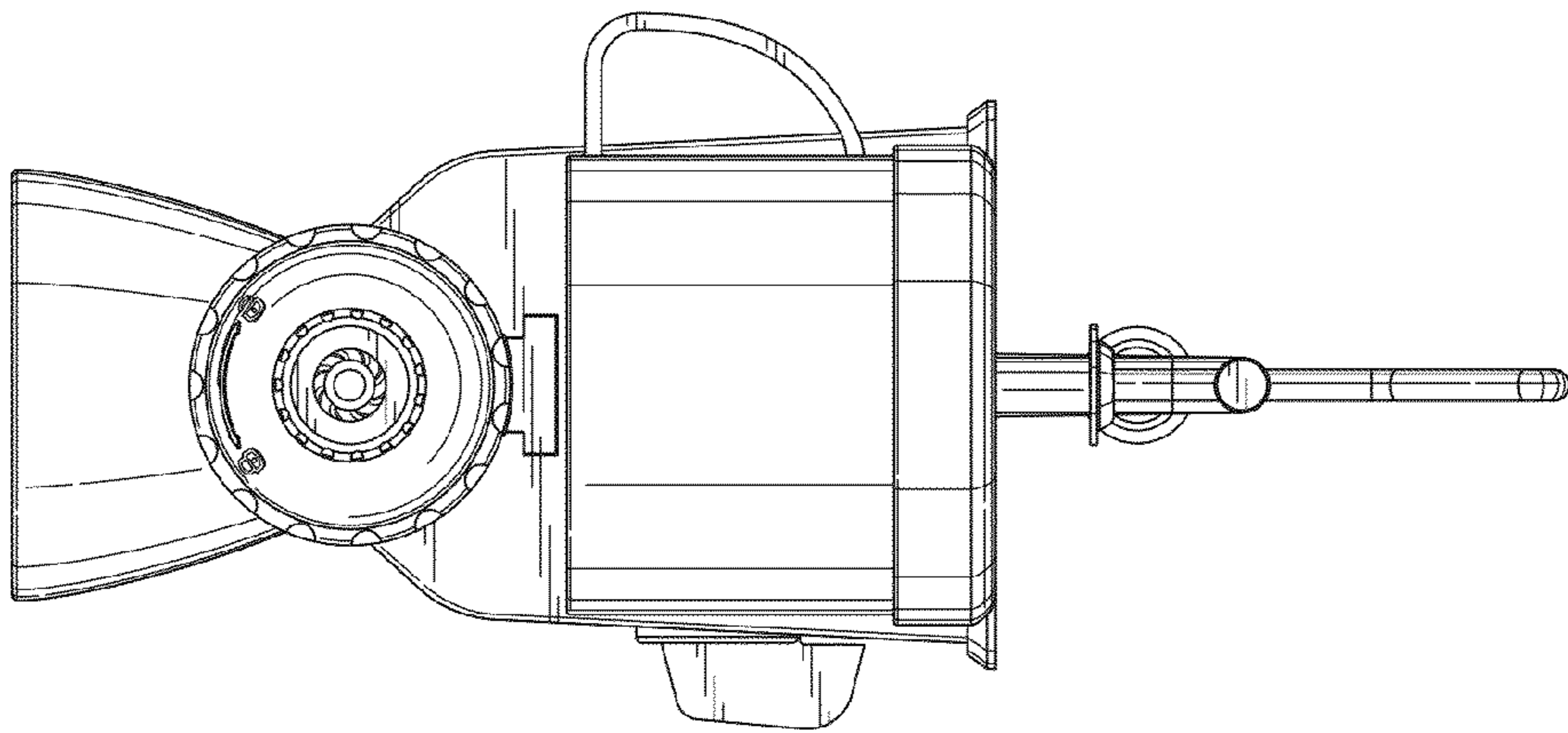


Fig. 7