



US00D721548S

(12) **United States Design Patent**  
**Jin**

(10) **Patent No.:** **US D721,548 S**  
(45) **Date of Patent:** **\*\* Jan. 27, 2015**

(54) **JUICE EXTRACTOR**

(71) Applicant: **Wen Jin**, Guangzhou (CN)

(72) Inventor: **Wen Jin**, Guangzhou (CN)

(\*\*) Term: **14 Years**

(21) Appl. No.: **29/467,940**

(22) Filed: **Sep. 25, 2013**

(30) **Foreign Application Priority Data**

Jun. 8, 2013 (CN) ..... 2013 3 0239698

(51) **LOC (10) Cl.** ..... **07-04**

(52) **U.S. Cl.**  
USPC ..... **D7/665**

(58) **Field of Classification Search**  
USPC ..... D7/368, 665-667, 412, 376-386, 372,  
D7/373, 375, 374, 300, 304, 305, 309, 310,  
D7/311, 312, 313; 241/92, 101.1-101.73,  
241/285.1-285.3, 36, 37.5, 100, 282.1;  
99/501-513, 495, 499, 348, 357, 349,  
99/369, 370, 496-497, 279, 280, 284,  
99/290; 366/98, 142, 197-211, 241-254,  
366/279-292, 341-347, 64-67; 100/213,  
100/218, 283, 288, 208; 416/75, 70 R, 76,  
416/77

See application file for complete search history.

(56) **References Cited**

**U.S. PATENT DOCUMENTS**

D118,270 S \* 12/1939 Strauss ..... D7/372  
2,345,683 A \* 4/1944 Owens ..... 100/98 R  
D222,209 S \* 10/1971 Dykes ..... D7/372  
D236,283 S \* 8/1975 McCue ..... D7/372  
5,381,730 A \* 1/1995 Kim ..... 99/510  
5,396,836 A \* 3/1995 Kim ..... 99/510  
D362,597 S \* 9/1995 Kim ..... D7/665

5,452,650 A \* 9/1995 Lee ..... 99/510  
D376,736 S \* 12/1996 Kim ..... D7/665  
5,592,873 A \* 1/1997 Lee ..... 99/510  
6,394,377 B1 \* 5/2002 Kim et al. .... 241/260.1  
D475,253 S \* 6/2003 Yip ..... D7/666  
D483,221 S \* 12/2003 Ledingham et al. .... D7/373  
D495,921 S \* 9/2004 Lallemand ..... D7/372  
D526,539 S \* 8/2006 Yip et al. .... D7/665  
D586,625 S \* 2/2009 Robins et al. .... D7/665  
D601,391 S \* 10/2009 Chiang ..... D7/665  
D610,396 S \* 2/2010 Chiang ..... D7/372  
8,091,473 B2 \* 1/2012 Kim ..... 99/510  
D677,975 S \* 3/2013 Jin et al. .... D7/381  
2007/0277682 A1 \* 12/2007 Wong ..... 99/495  
2009/0064875 A1 \* 3/2009 Trovinger ..... 99/492  
2012/0216687 A1 \* 8/2012 Trovinger ..... 99/510  
2012/0227592 A1 \* 9/2012 Lim et al. .... 99/486  
2013/0081547 A1 \* 4/2013 Hu ..... 99/495  
2013/0284032 A1 \* 10/2013 Trovinger ..... 99/510

\* cited by examiner

*Primary Examiner* — Susan Bennett Hattan

*Assistant Examiner* — Shannon Morgan

(74) *Attorney, Agent, or Firm* — Jen-Feng Lee, Esq.

(57) **CLAIM**

I claim the ornamental design for a juice extractor, as shown and described.

**DESCRIPTION**

FIG. 1 is a top, left, front perspective view of a juice extractor showing my new design,

FIG. 2 is a front elevational view thereof,

FIG. 3 is a right-side elevational view thereof,

FIG. 4 is a left-side elevational view thereof,

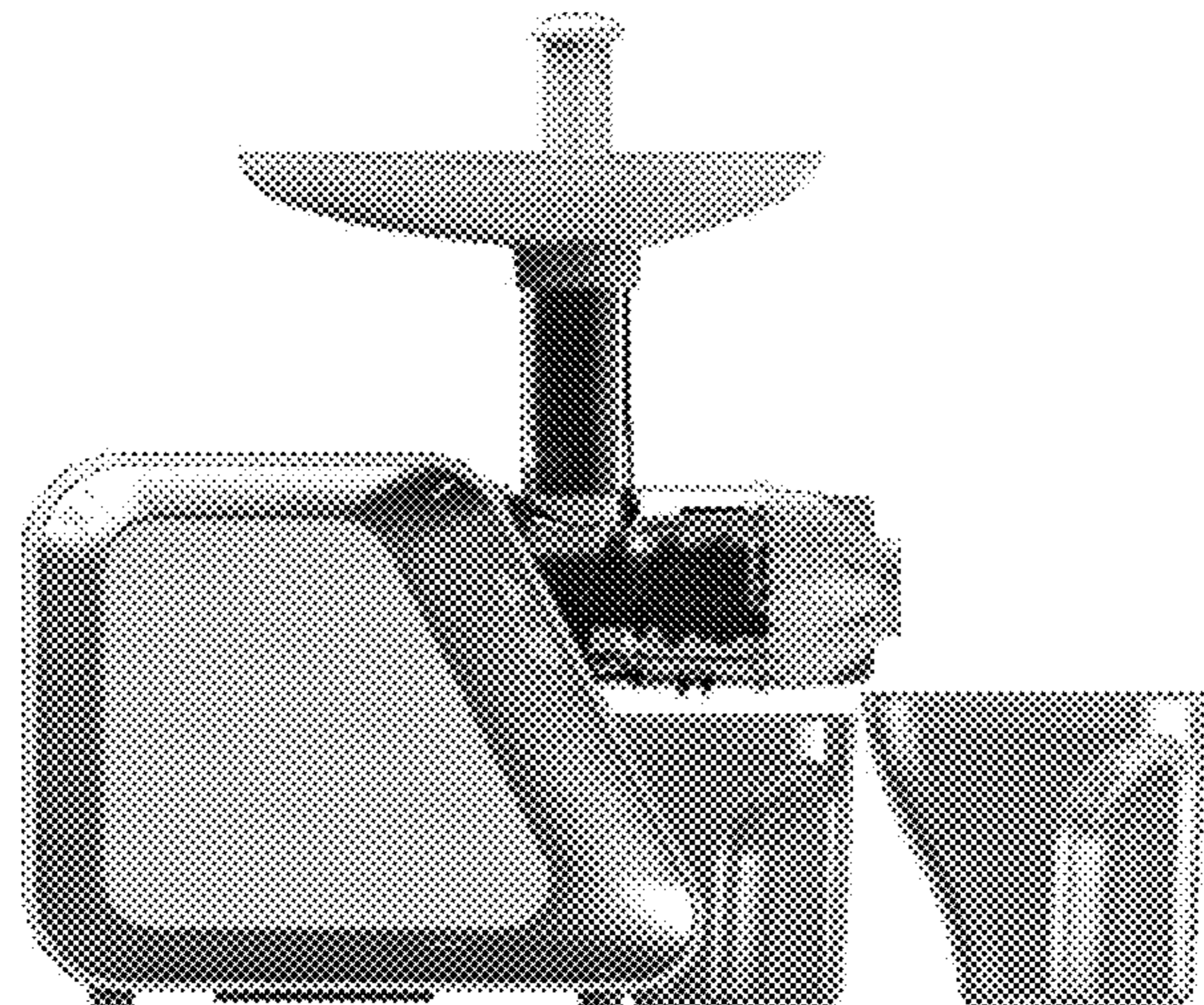
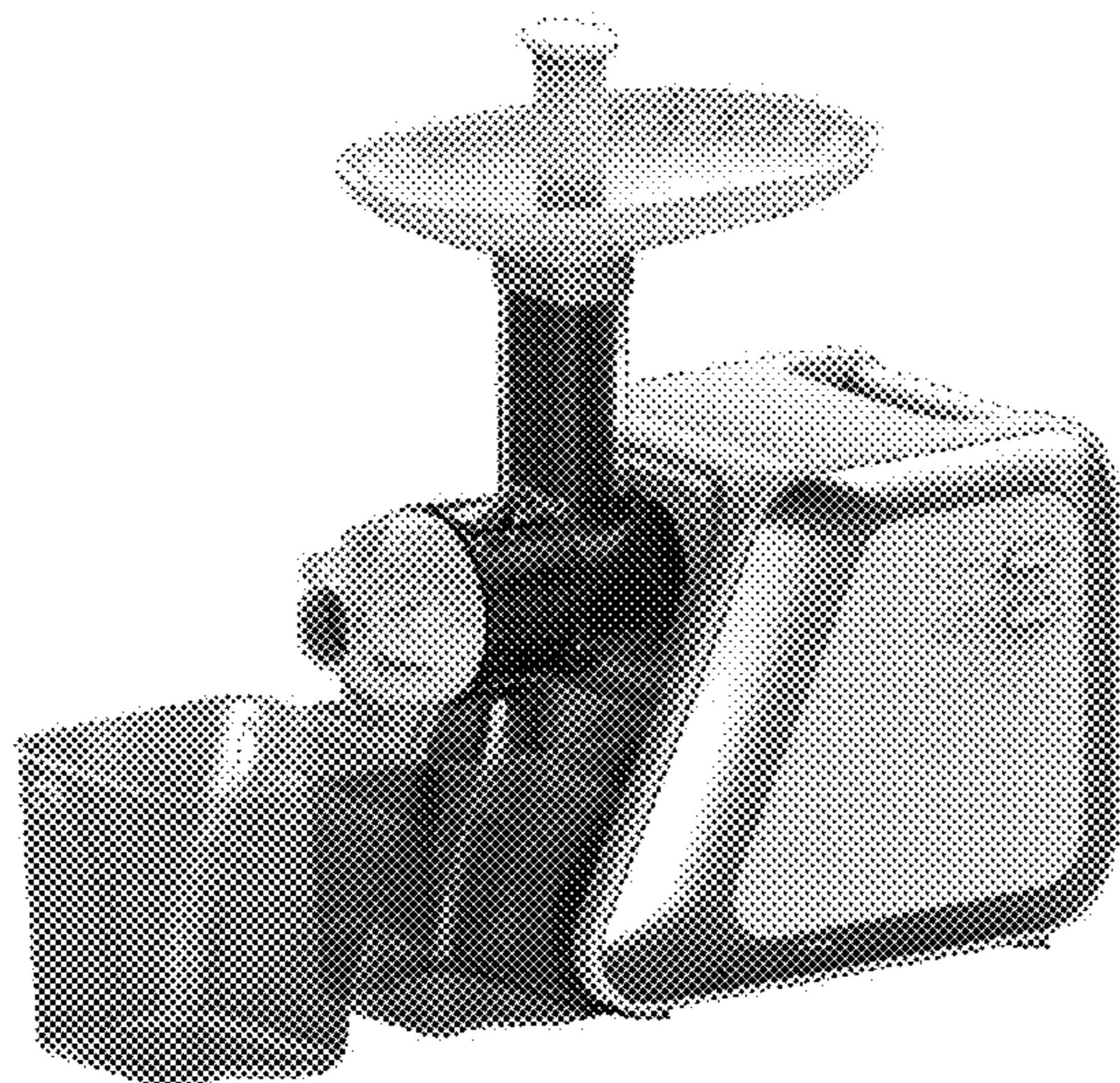
FIG. 5 is a rear elevational view thereof,

FIG. 6 is a bottom plan view thereof; and,

FIG. 7 is a top plan view thereof.

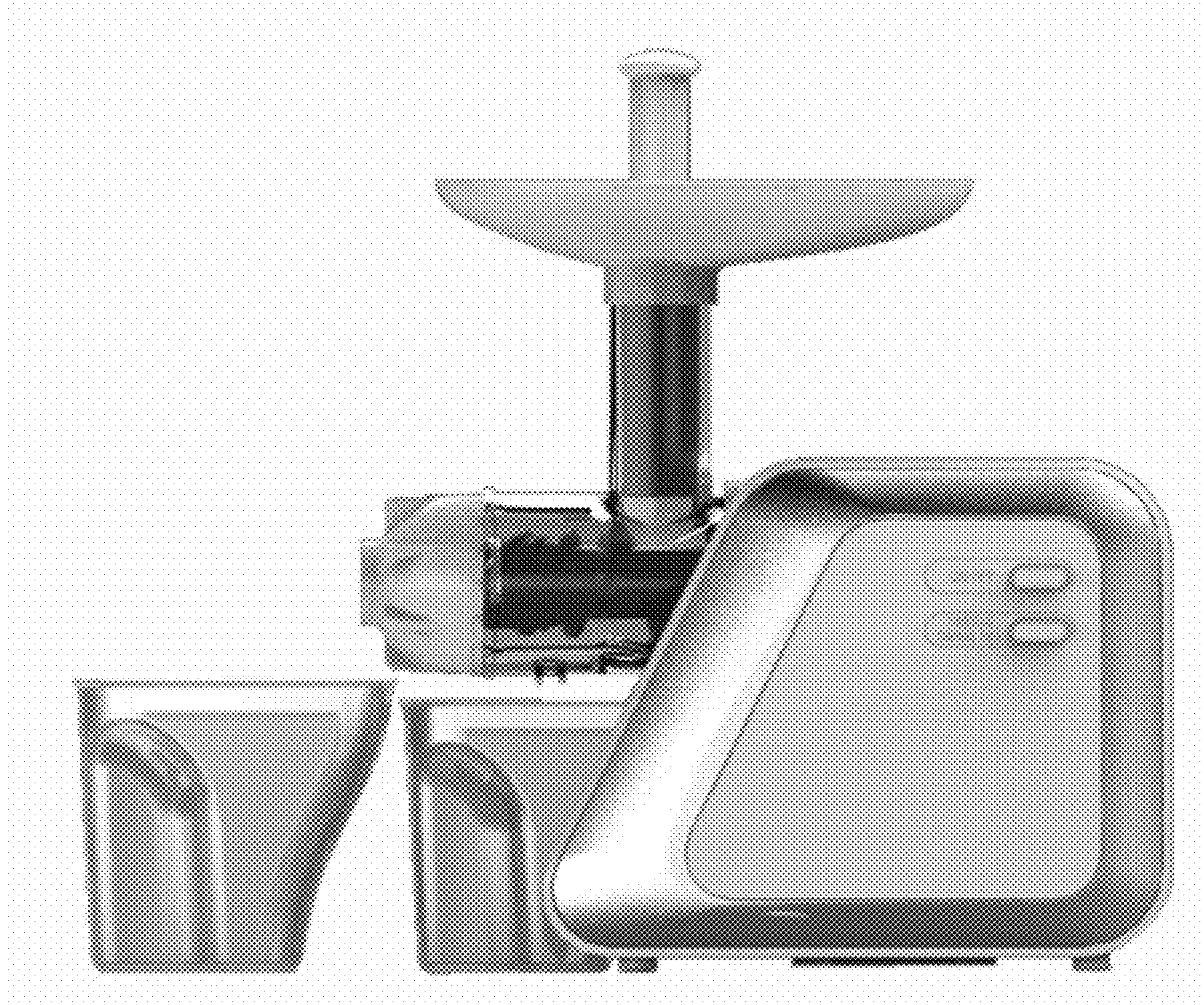
The broken lines in FIGS. 3 and 6 of the juice extractor are for the purpose of illustrating environment, and form no part of the claimed design.

**1 Claim, 6 Drawing Sheets**

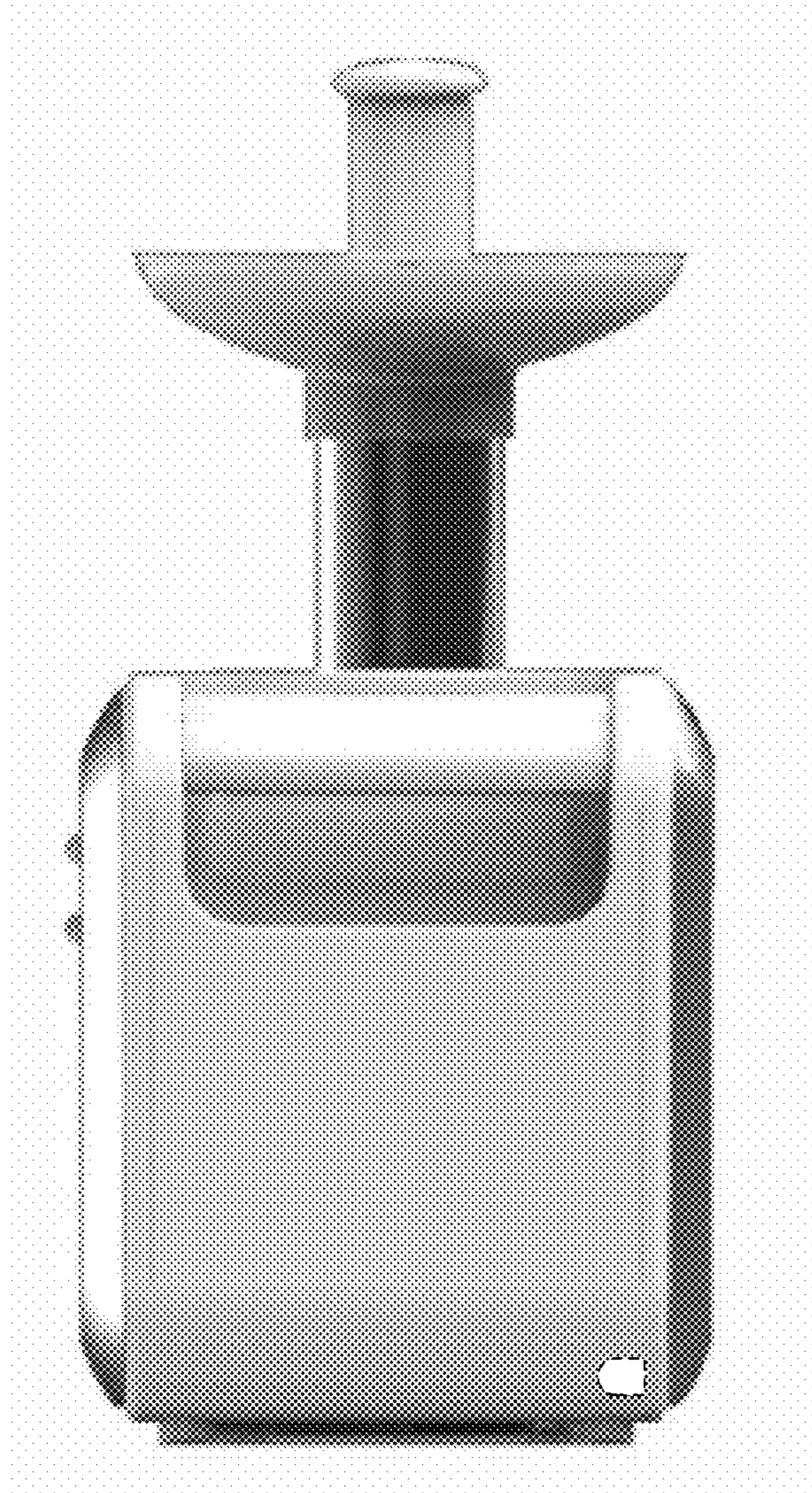




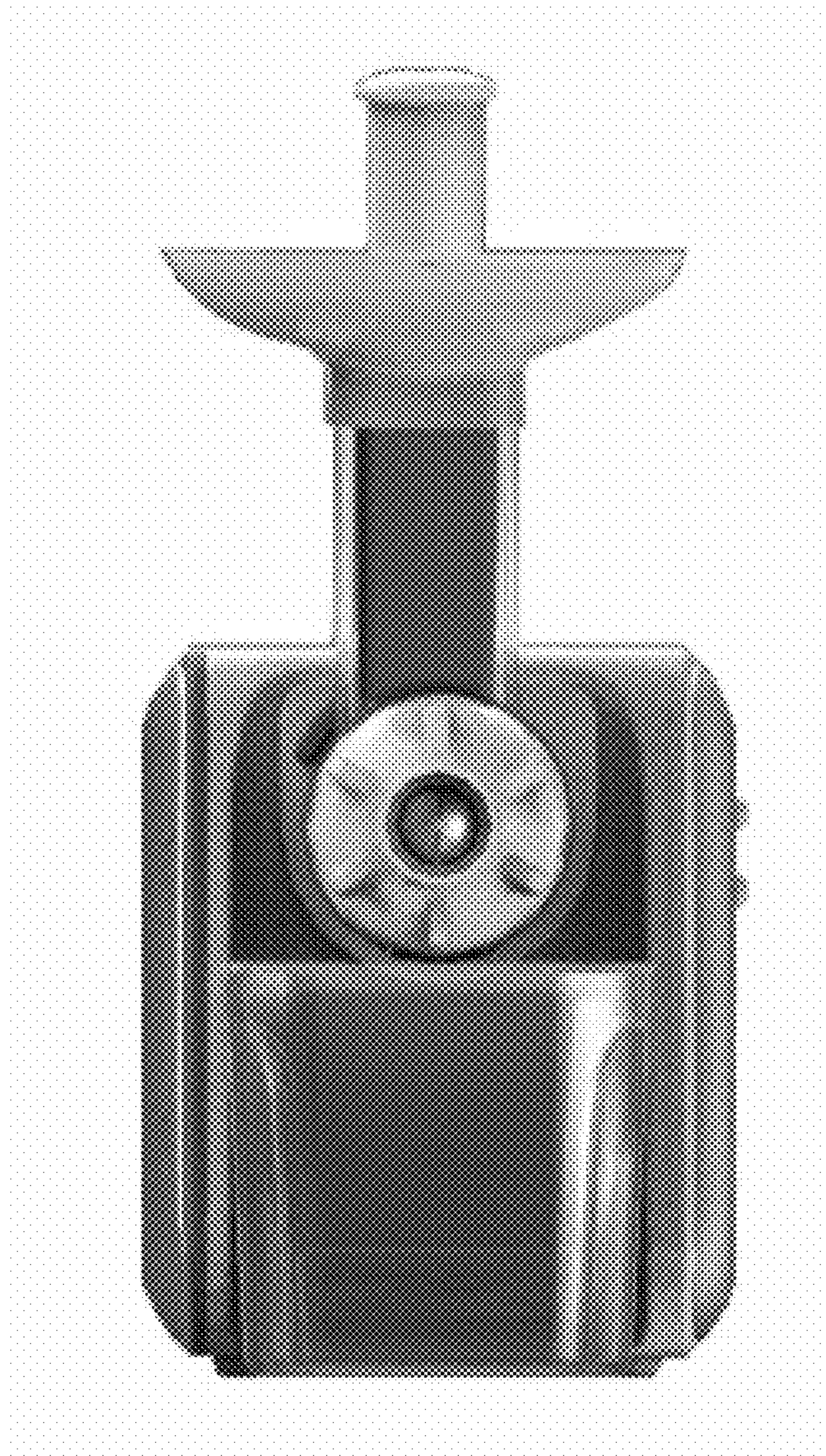
**FIG. 1**



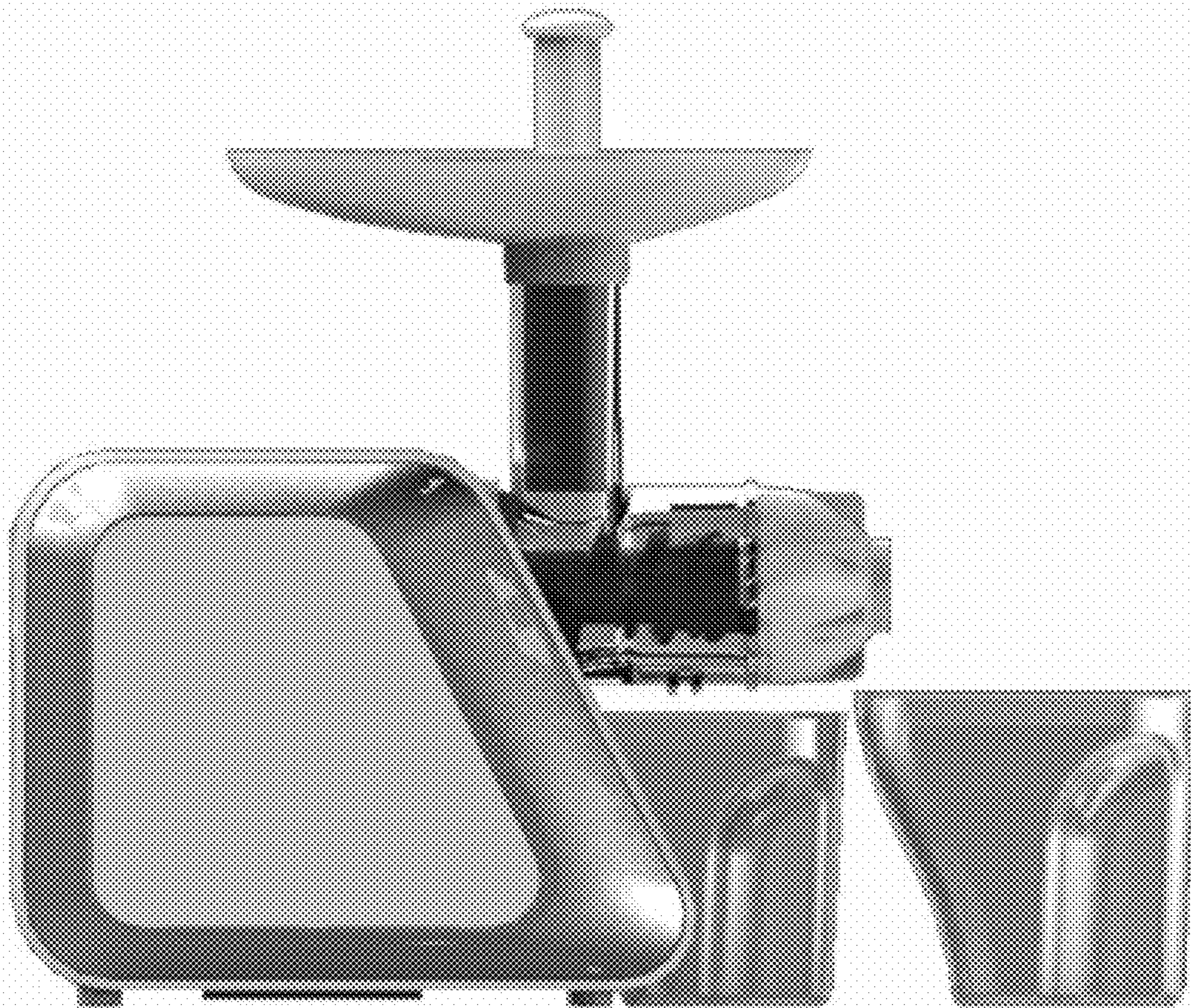
**FIG. 2**



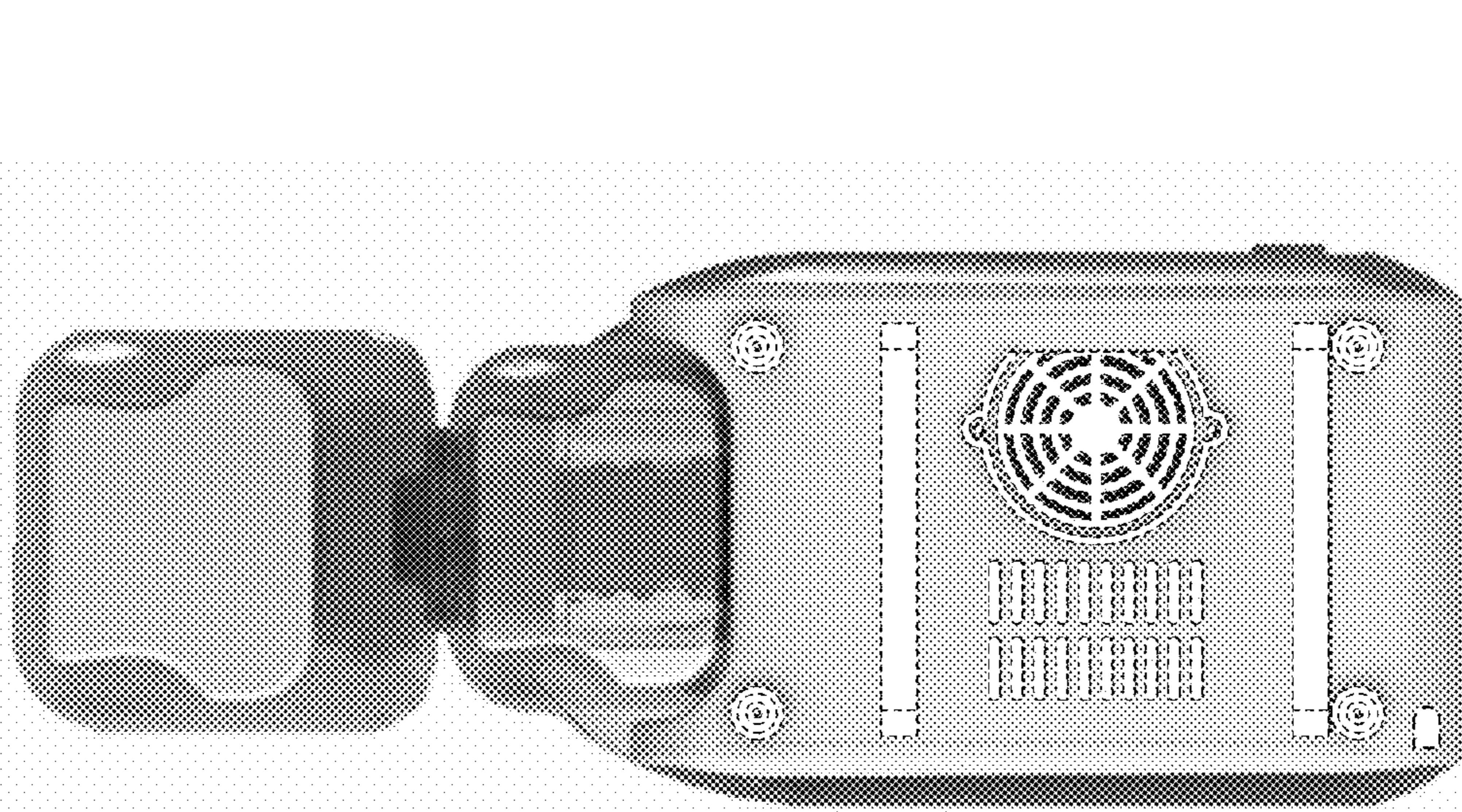
**FIG. 3**



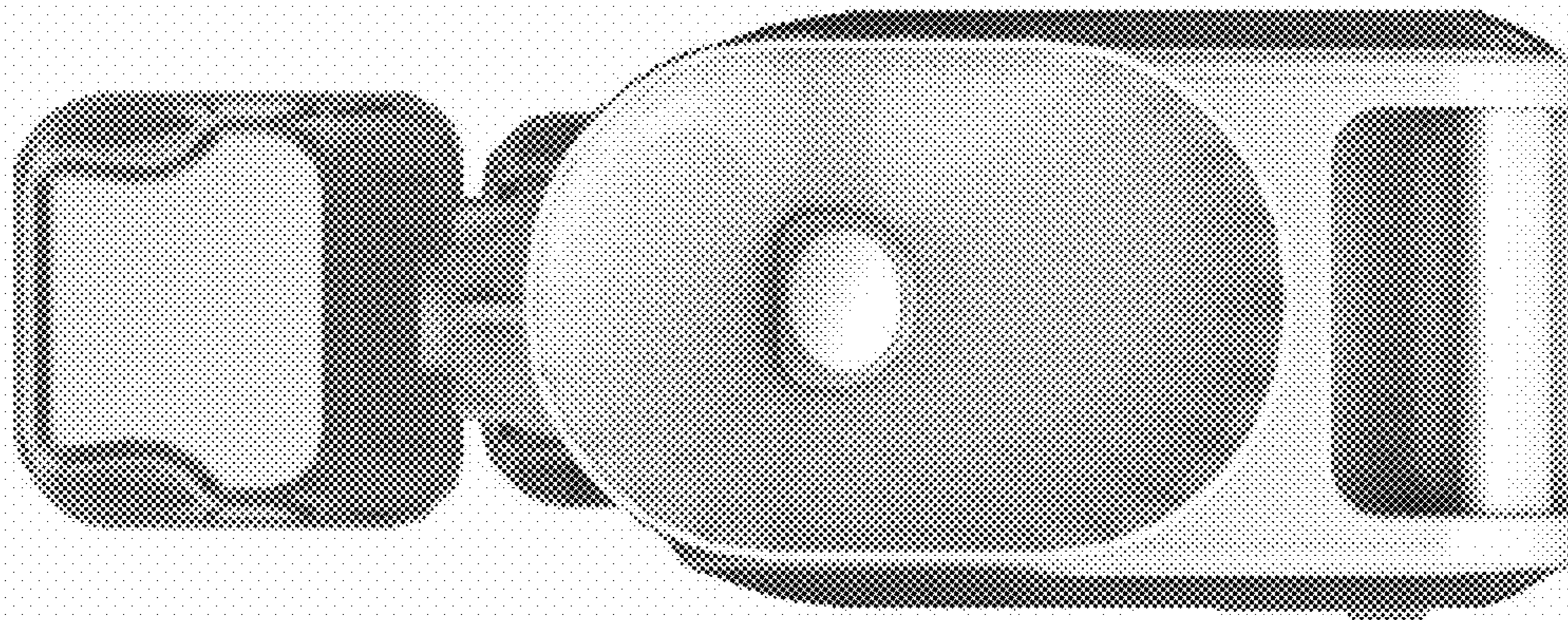
**FIG. 4**



**FIG. 5**



**FIG. 6**



**FIG. 7**