



US00D721546S

(12) **United States Design Patent**
Davidson

(10) **Patent No.:** **US D721,546 S**
(45) **Date of Patent:** **** Jan. 27, 2015**

(54) **CUP HOLDER**

(71) Applicant: **Zachary Davidson**, Katy, TX (US)

(72) Inventor: **Zachary Davidson**, Katy, TX (US)

(**) Term: **14 Years**

(21) Appl. No.: **29/457,400**

(22) Filed: **Jun. 10, 2013**

(51) **LOC (10) Cl.** **07-06**

(52) **U.S. Cl.**
USPC **D7/624.3**

(58) **Field of Classification Search**
CPC B65D 81/3876
USPC D7/605-608, 619.1-625; D9/444;
248/346.11, 346.01, 311.2; 215/12.1,
215/12.2, 13.1, 392-396; 62/457.1-457.9,
62/529, 530; 220/915.1, 915.2, 737-741,
220/902, 592.16, 592.17, 592.2
See application file for complete search history.

(56) **References Cited**

U.S. PATENT DOCUMENTS

3,381,875 A * 5/1968 Tunick 220/524
5,909,821 A * 6/1999 Guridi 220/739

D442,833 S * 5/2001 Shuman D7/608
D593,368 S * 6/2009 Epstein et al. D7/602
D605,902 S * 12/2009 Reinthaler et al. D7/624.3

* cited by examiner

Primary Examiner — Terry Wallace

(74) *Attorney, Agent, or Firm* — Rutan & Tucker LLP; Hani Z. Sayed

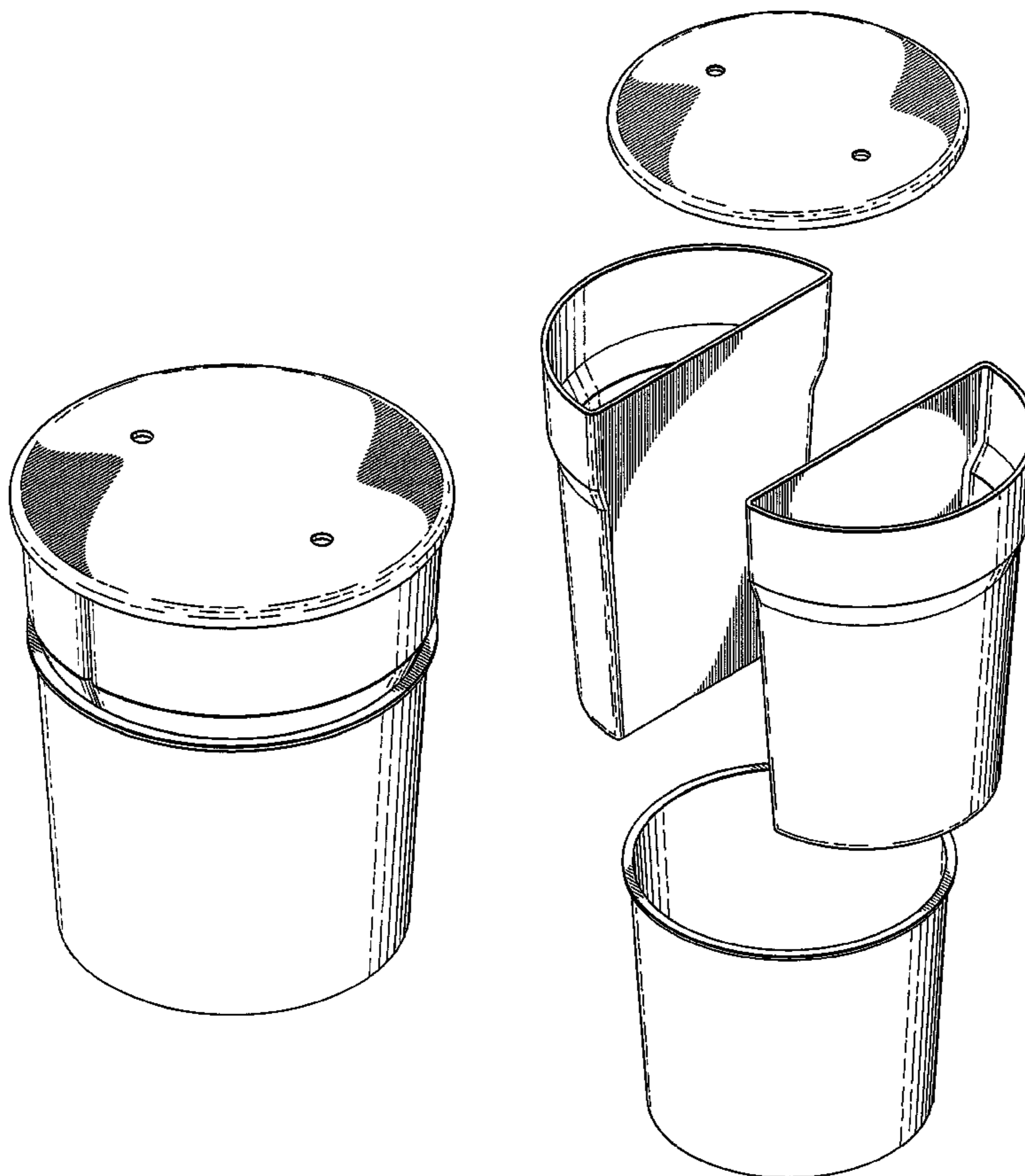
(57) **CLAIM**

The ornamental design for a cup holder, as shown and described.

DESCRIPTION

FIG. 1 is a top, front, right side, perspective view of a cup holder of the present invention;
FIG. 2 is top plan view of the present invention;
FIG. 3 is a bottom plan view of the present invention;
FIG. 4 is a front elevation view (rear elevation view being identical) of the present invention;
FIG. 5 is a left side elevation view (right side elevation view being identical) of the present invention;
FIG. 6 is a cross-section view taken along line 6-6 of FIG. 2 of the present invention; and,
FIG. 7 is a top, front, right side, exploded perspective view of the present invention.

1 Claim, 3 Drawing Sheets



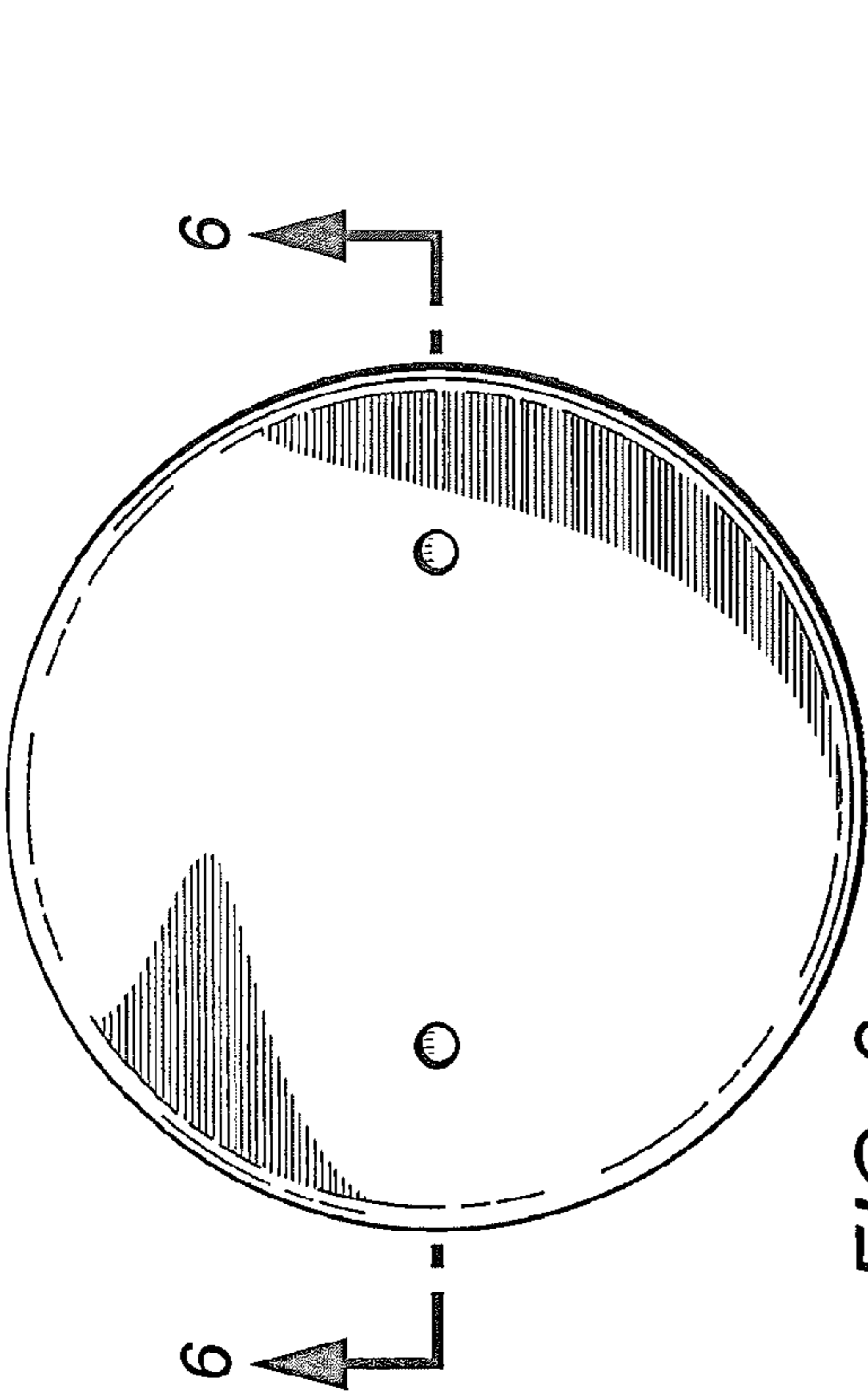


FIG. 2

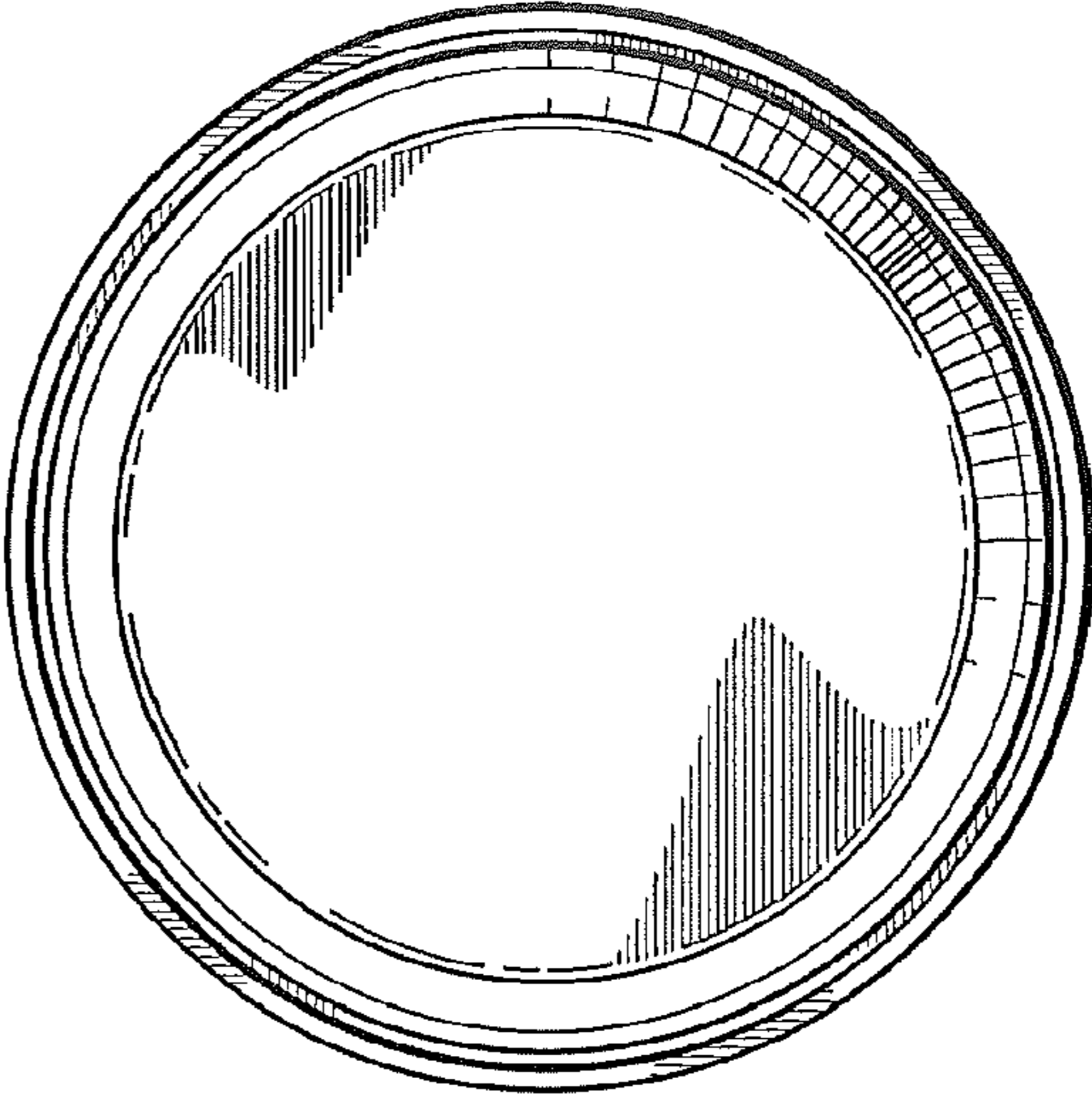


FIG. 3

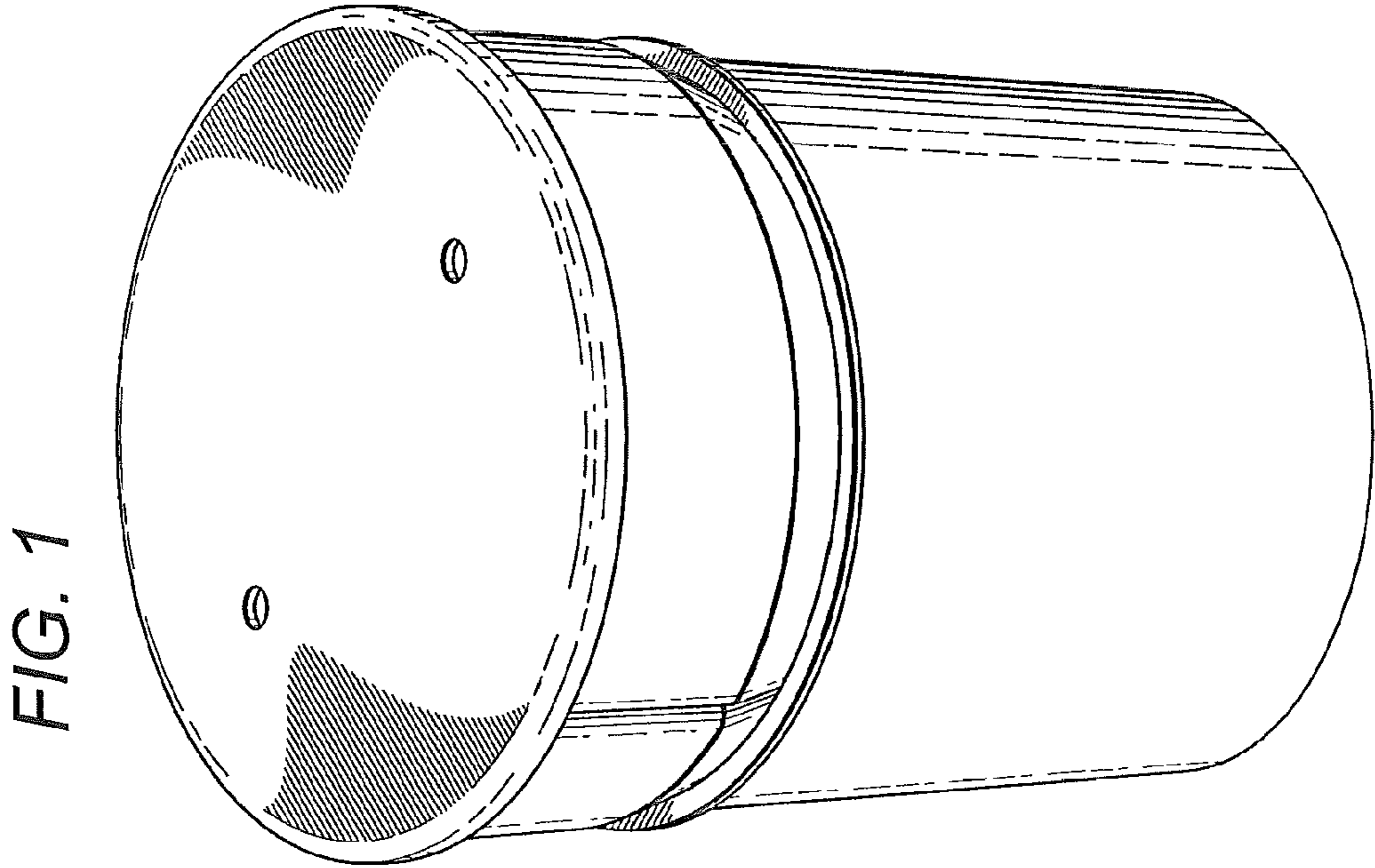


FIG. 1

FIG. 4

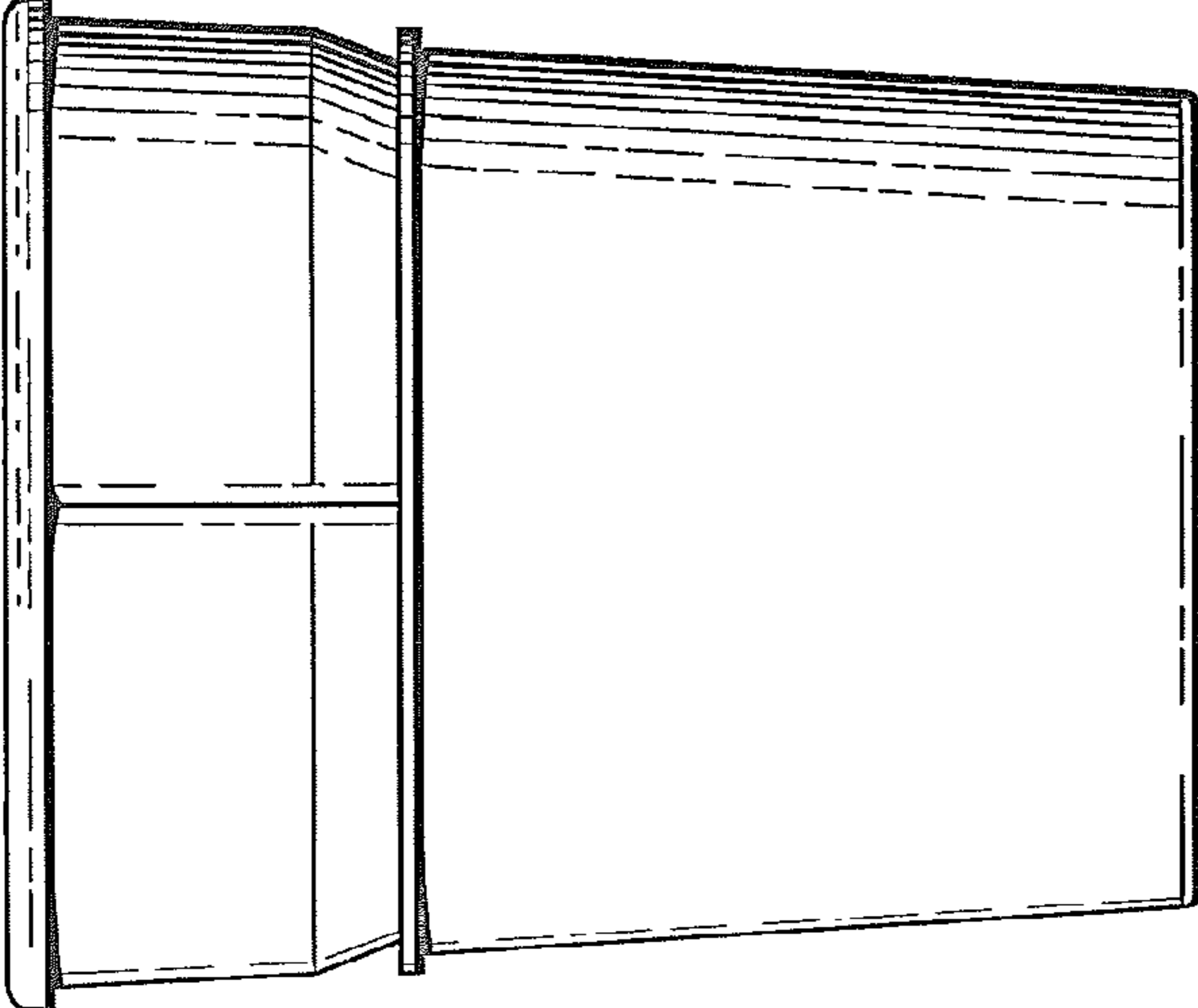


FIG. 5

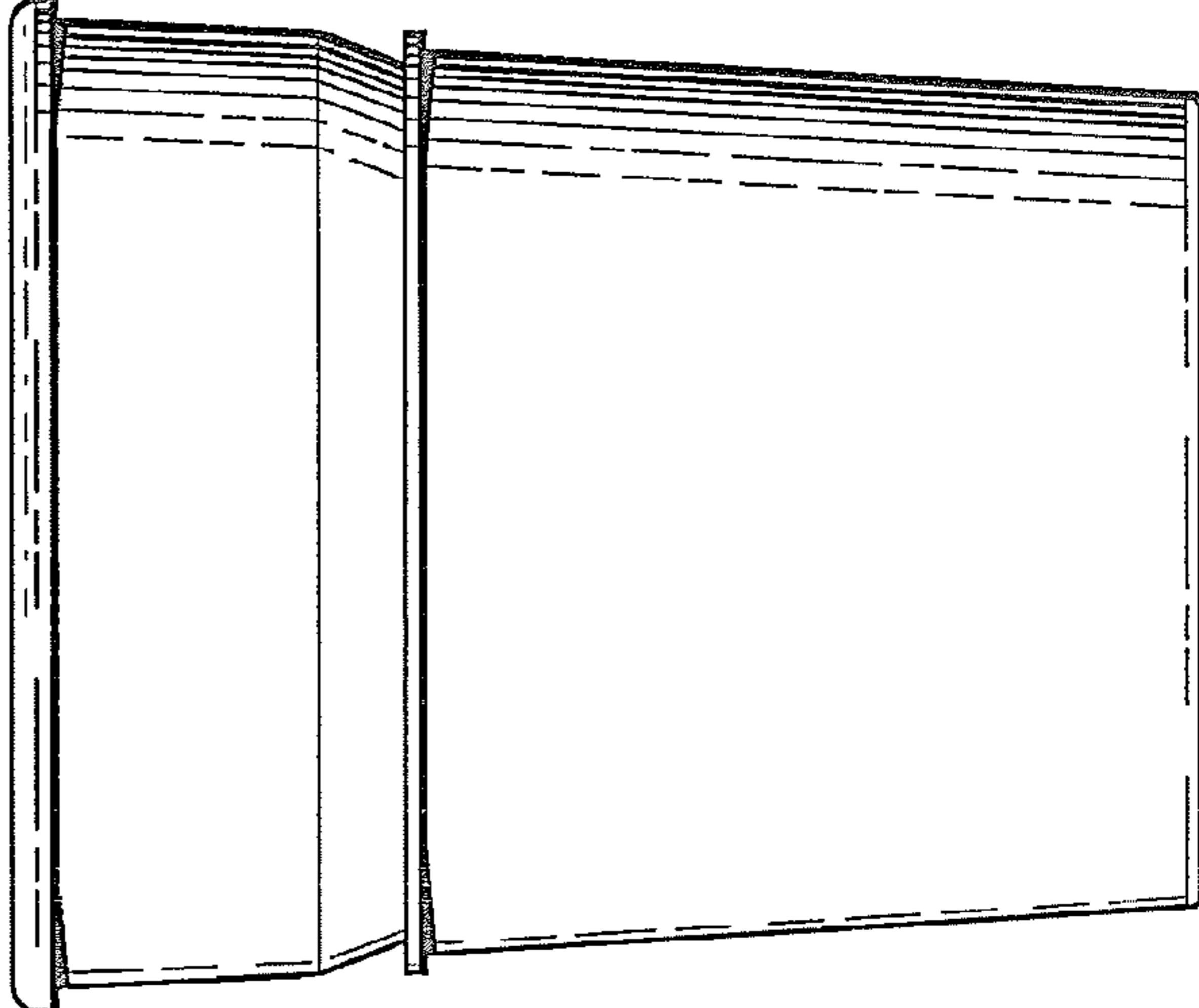
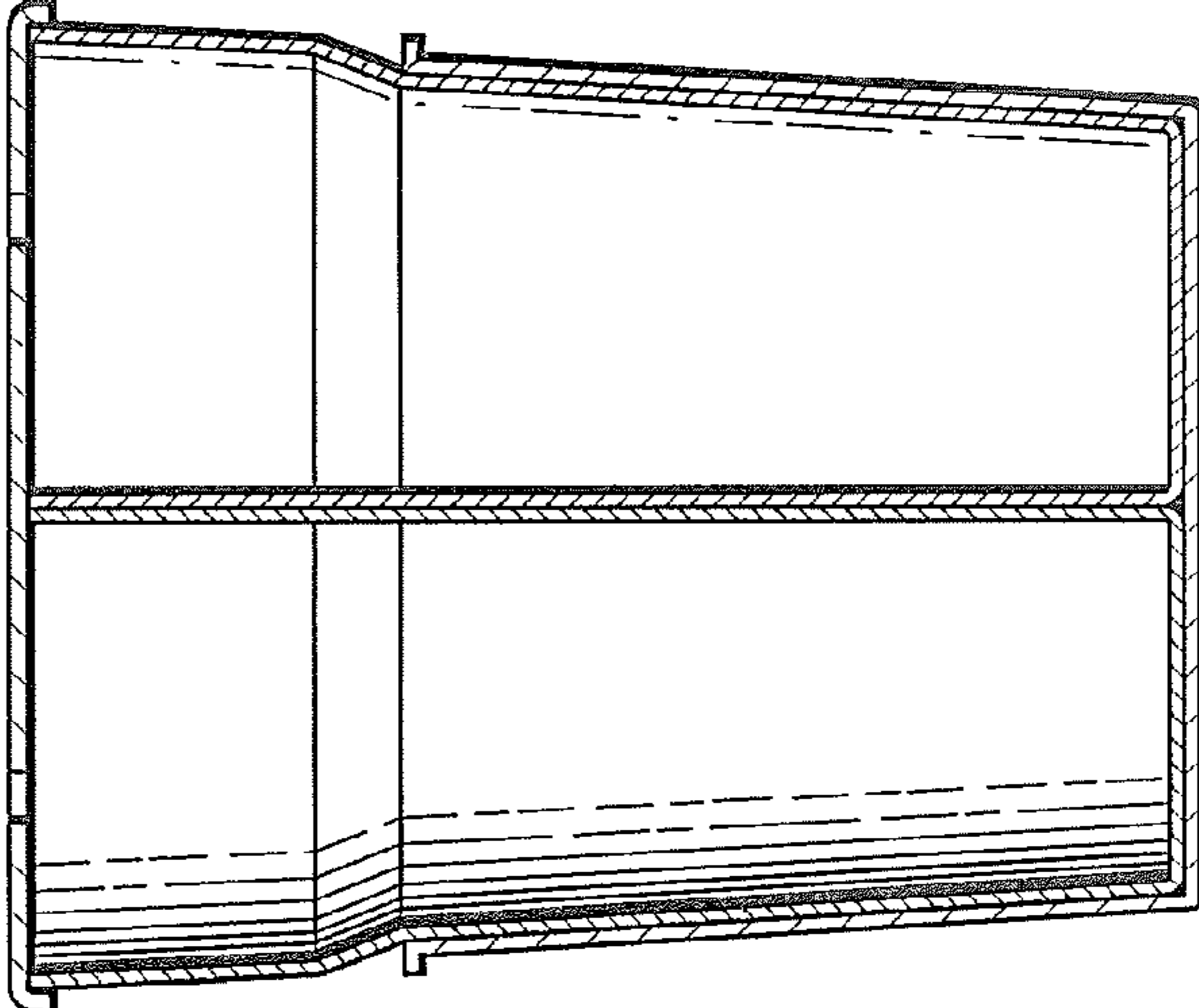


FIG. 6



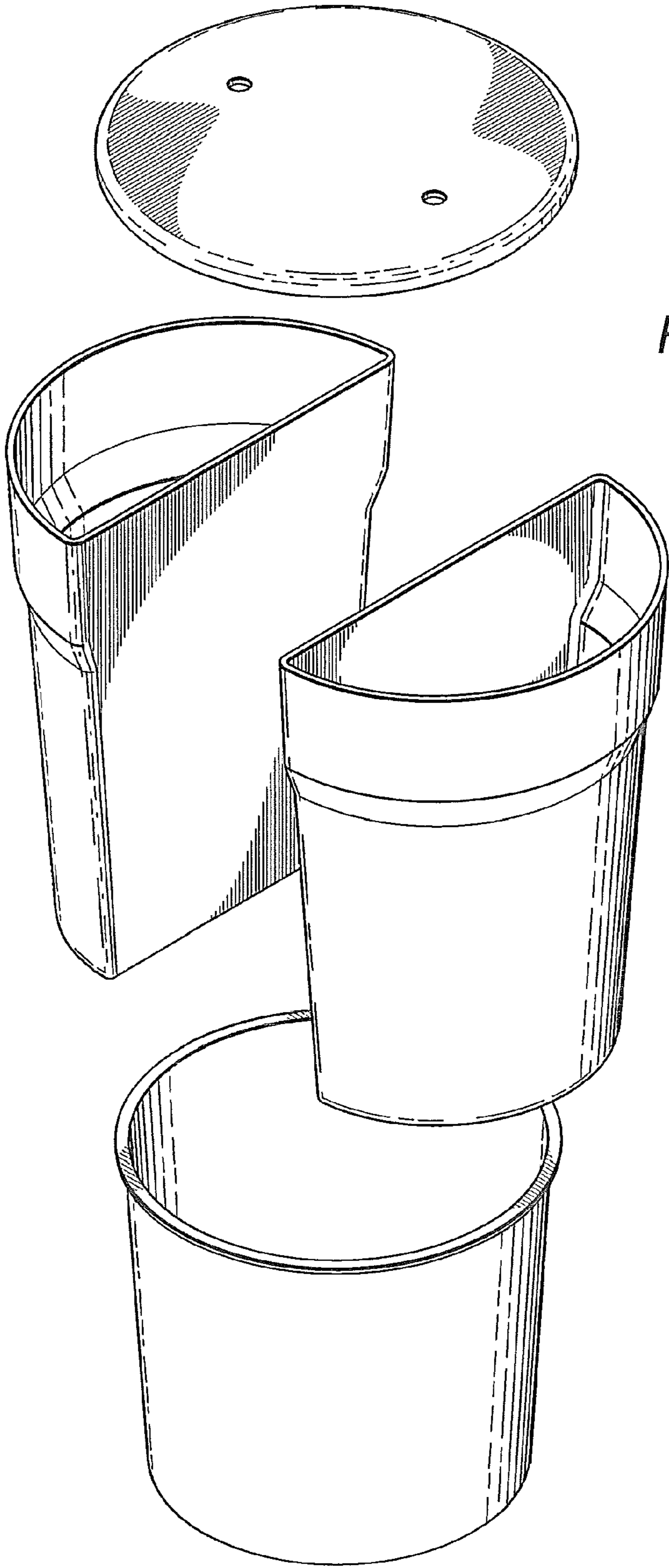


FIG. 7