

US00D721545S

(12) **United States Design Patent**
Hollander

(10) **Patent No.:** **US D721,545 S**
(45) **Date of Patent:** **** Jan. 27, 2015**

(54) **CUP HOLDER**

(76) Inventor: **Ted Hollander**, Parkland, FL (US)

(**) Term: **14 Years**

(21) Appl. No.: **29/423,354**

(22) Filed: **May 31, 2012**

(51) **LOC (10) Cl.** **07-06**

(52) **U.S. Cl.**
USPC **D7/620**

(58) **Field of Classification Search**
USPC D7/620, 602, 608, 213, 619.1;
D12/419, 420, 411; 215/13.1, 12.1,
215/393; 220/592.16, 495.03, 62.12;
248/146, 311.2; D9/434, 455; D34/27
See application file for complete search history.

(56) **References Cited**

U.S. PATENT DOCUMENTS

D67,599 S	6/1925	Jordan	
D154,468 S *	7/1949	Foulke	D7/701
3,690,724 A *	9/1972	Douglas et al.	297/188.18
3,850,398 A *	11/1974	Kantor	248/222.14
D281,545 S *	12/1985	Flanagan	D12/419
D327,364 S *	6/1992	Mankey	D12/419
D328,521 S *	8/1992	Sletvold	D12/419
D344,876 S	3/1994	Vandergon	
D353,082 S *	12/1994	Keven	D7/701
D374,856 S *	10/1996	Berninger	D12/419
5,678,741 A *	10/1997	Schieber	224/275
D444,683 S *	7/2001	Corrion	D7/701
D448,000 S *	9/2001	Pfeiffer et al.	D12/419
7,246,709 B2 *	7/2007	Kim	211/65
D548,015 S	8/2007	Bergin	

D559,630 S	1/2008	Bergin	
D563,177 S	3/2008	Bergin	
D574,197 S	8/2008	Bergin	
D635,832 S *	4/2011	Bergin	D7/701

* cited by examiner

Primary Examiner — Brandon M Rosati

(74) *Attorney, Agent, or Firm* — Fleit Gibbon Gutman Bongini & Bianco PL; Paul D. Bianco; Gary S. Winer

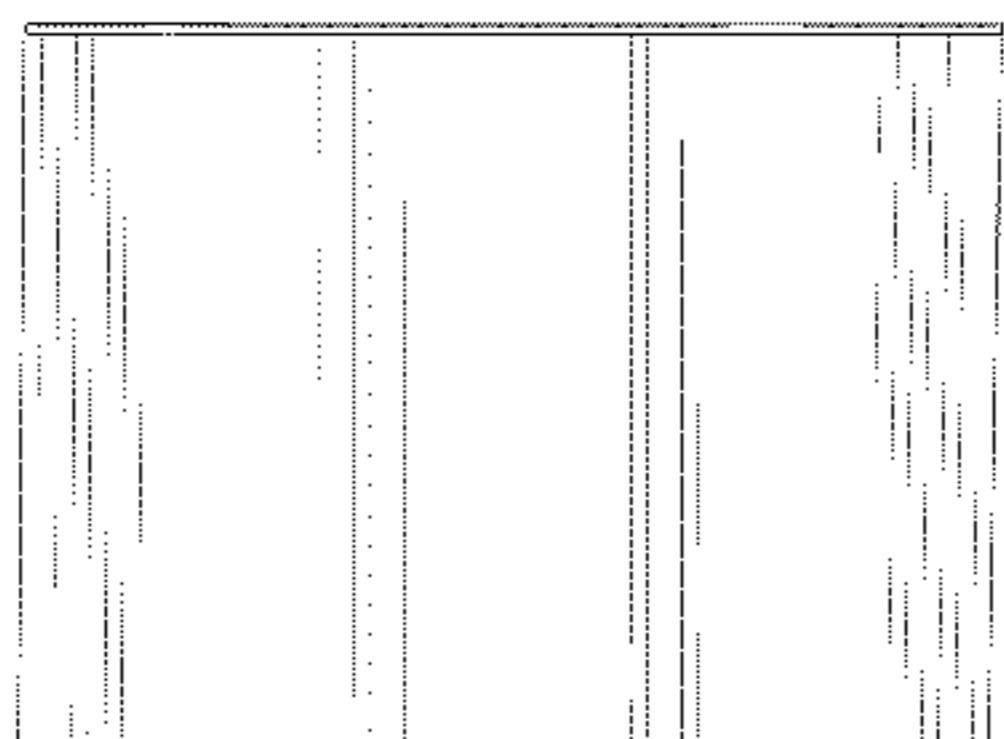
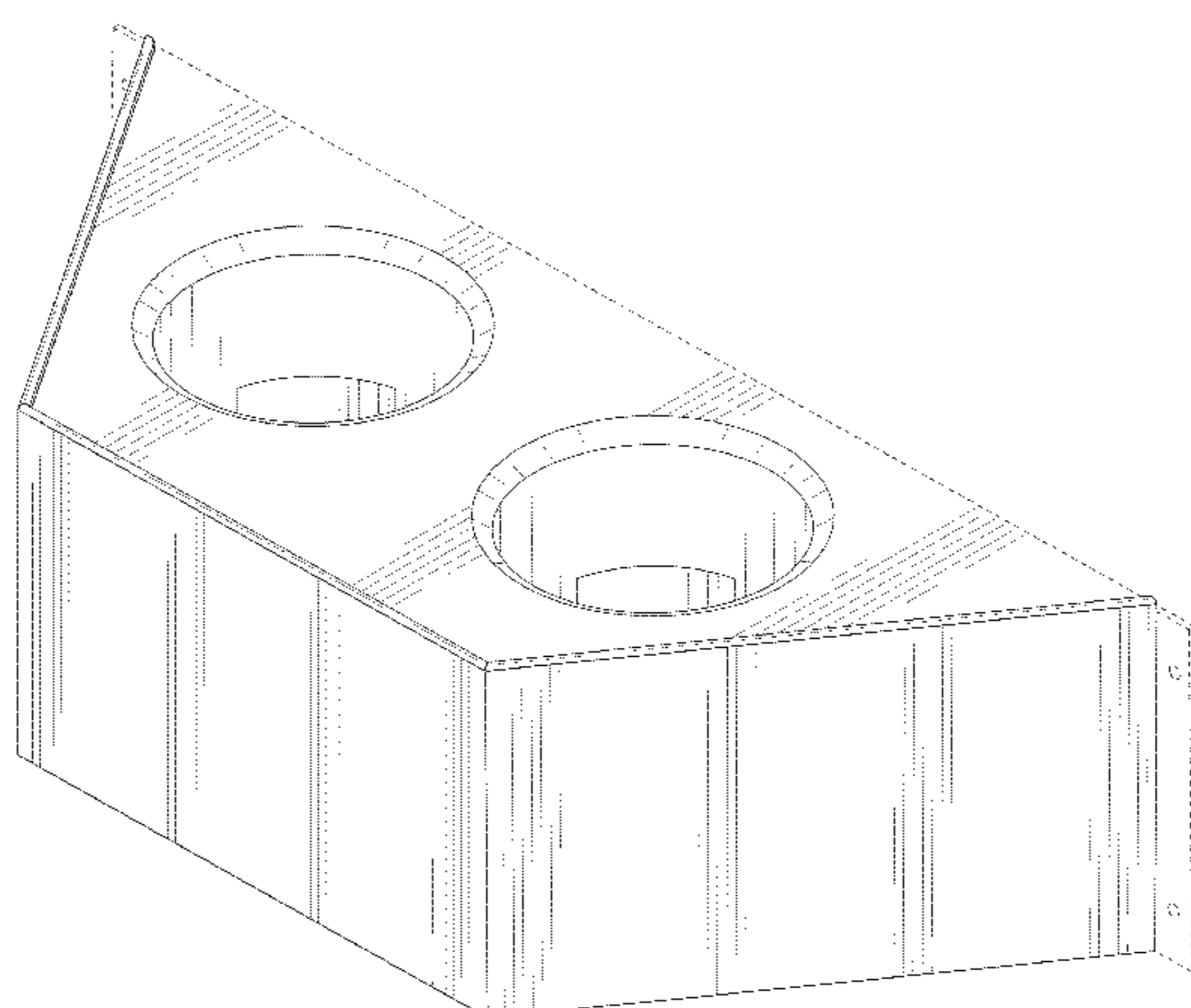
(57) **CLAIM**

The ornamental design for a cup holder, as shown and described.

DESCRIPTION

FIG. 1 is a first perspective view of a cup holder according to the present invention;
 FIG. 2 is a second perspective view of the cup holder of FIG. 1;
 FIG. 3 is a front view of the cup holder of FIG. 1;
 FIG. 4 is a rear view of the cup holder of FIG. 1;
 FIG. 5 is a first side view of the cup holder of FIG. 1;
 FIG. 6 is a second side view of the cup holder of FIG. 1;
 FIG. 7 is a top view of the cup holder of FIG. 1; and,
 FIG. 8 is a bottom view of the cup holder of FIG. 1.
 The broken line showing of cross-shaped elements in FIG. 7-8, ribbing, rings and flat surfaces in FIG. 8, rings with 4 extensions of FIG. 7 and rear section in FIGS. 1-8 are included for the purpose of illustrating portions of the article that form no part of the claimed design.

1 Claim, 6 Drawing Sheets



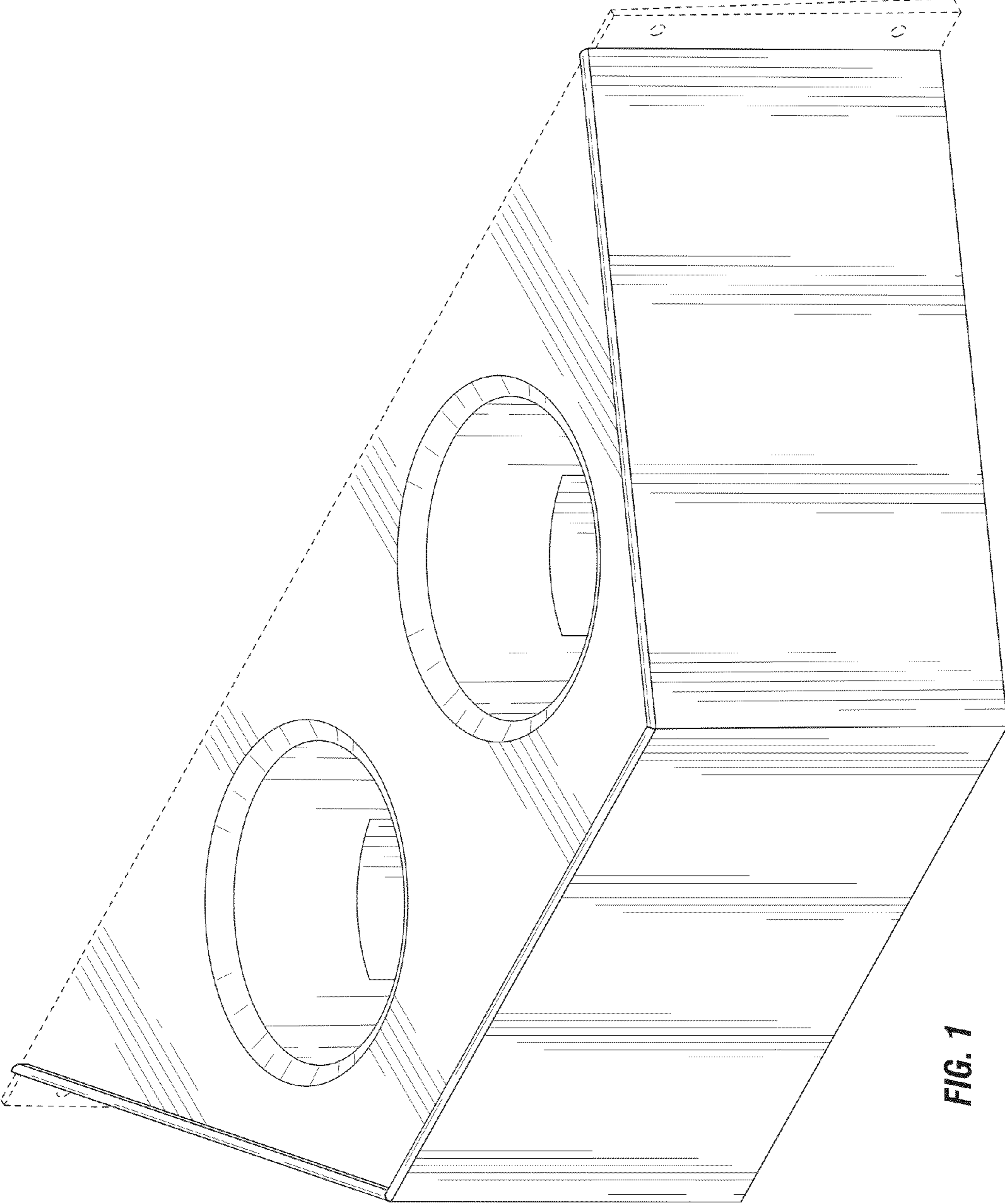
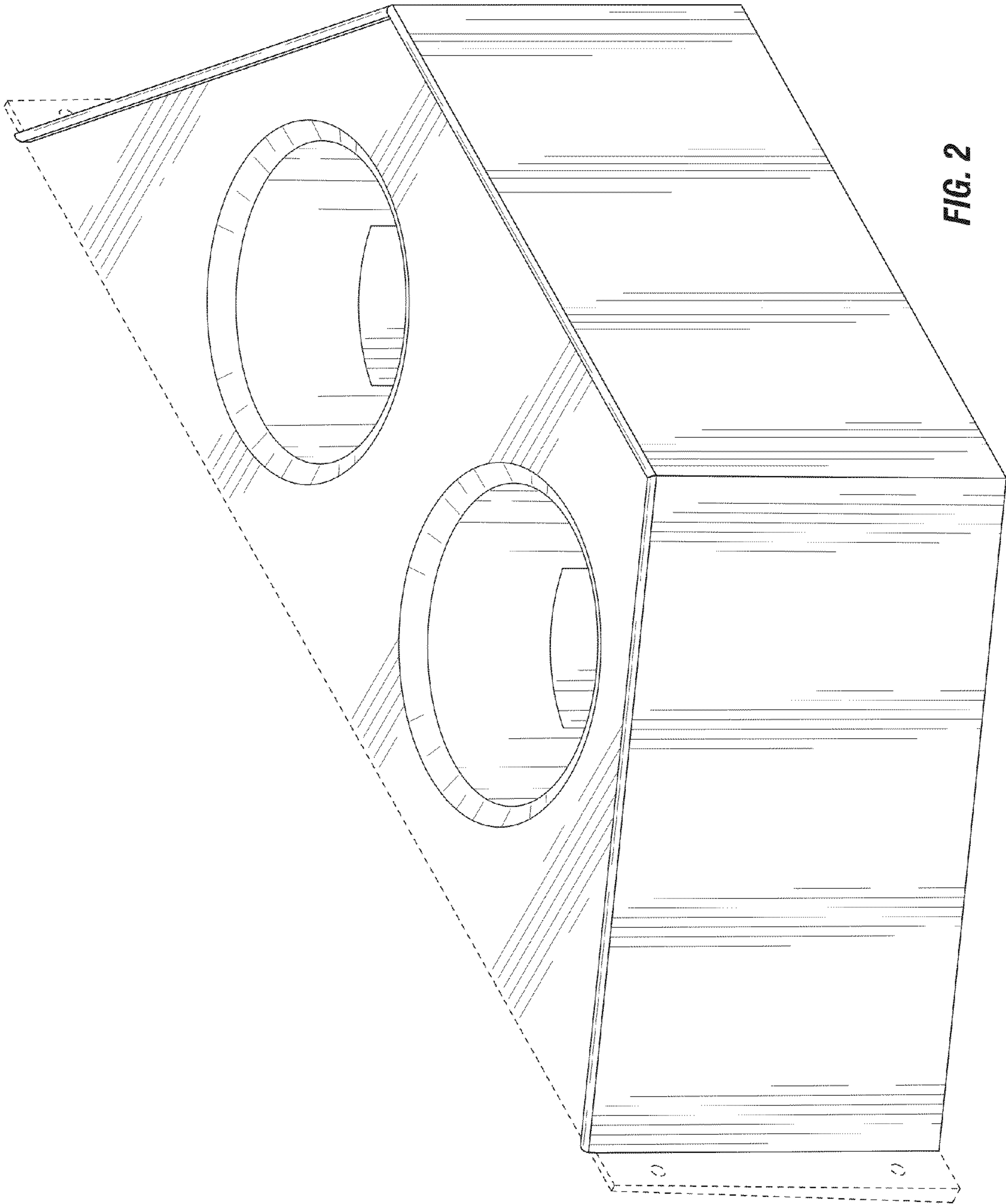


FIG. 1



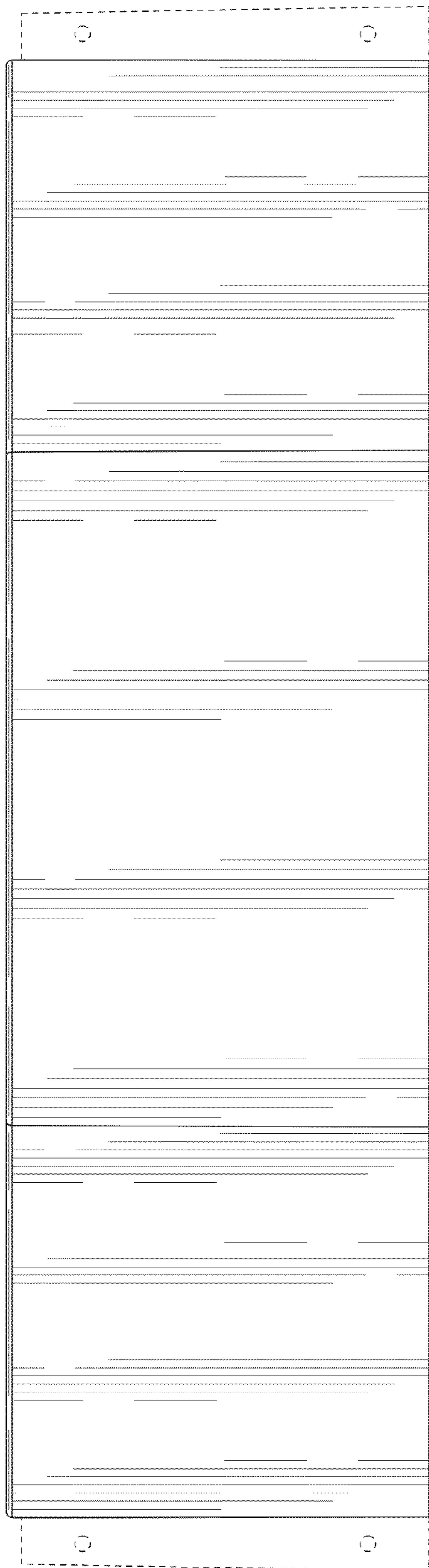


FIG. 3

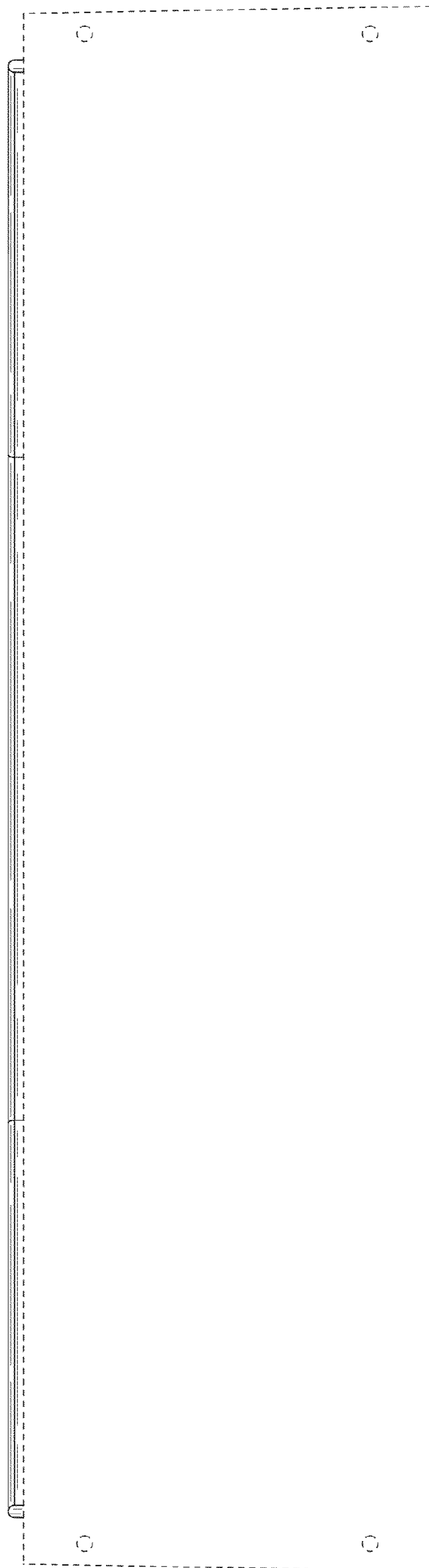


FIG. 4

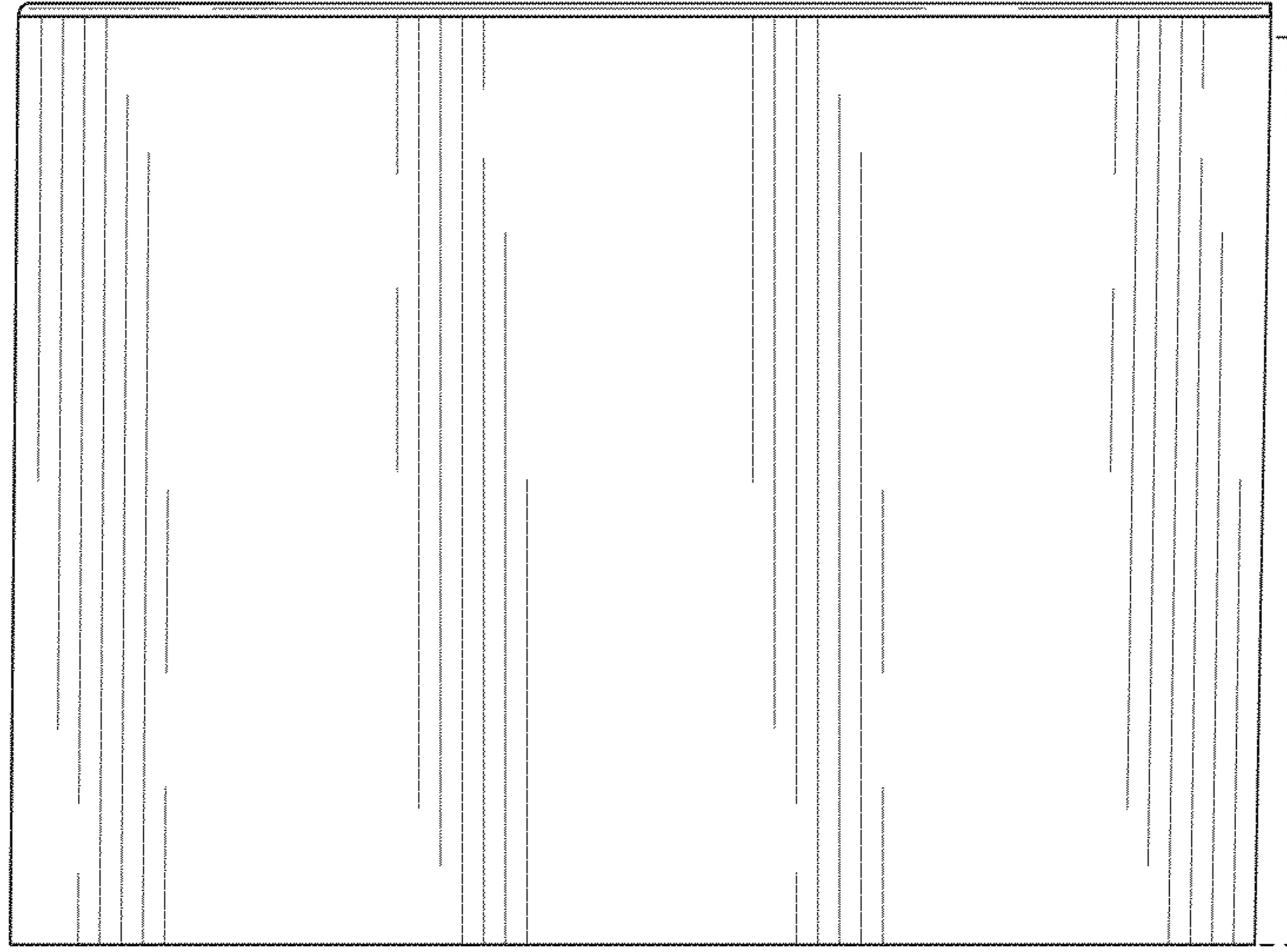


FIG. 5

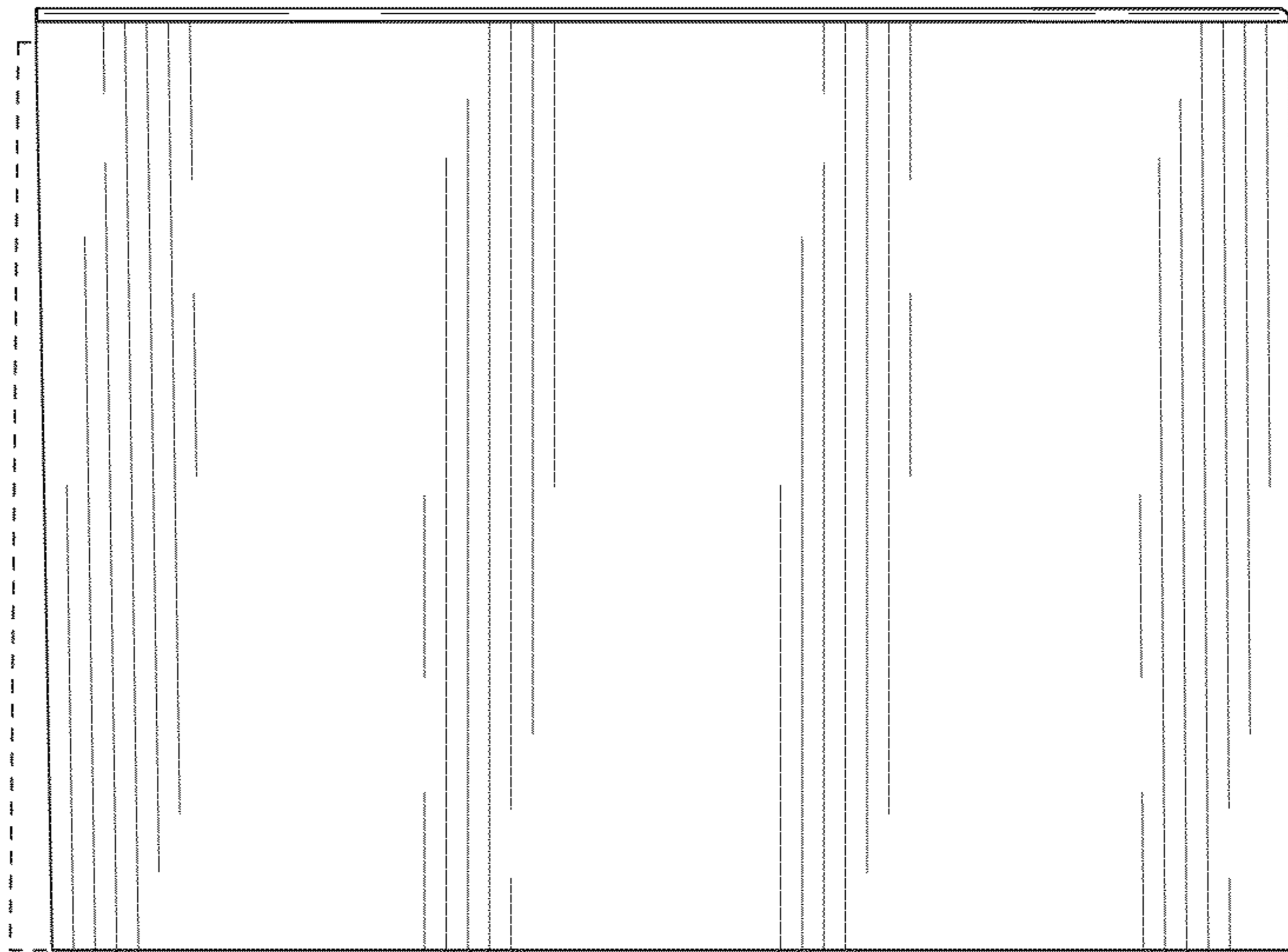


FIG. 6

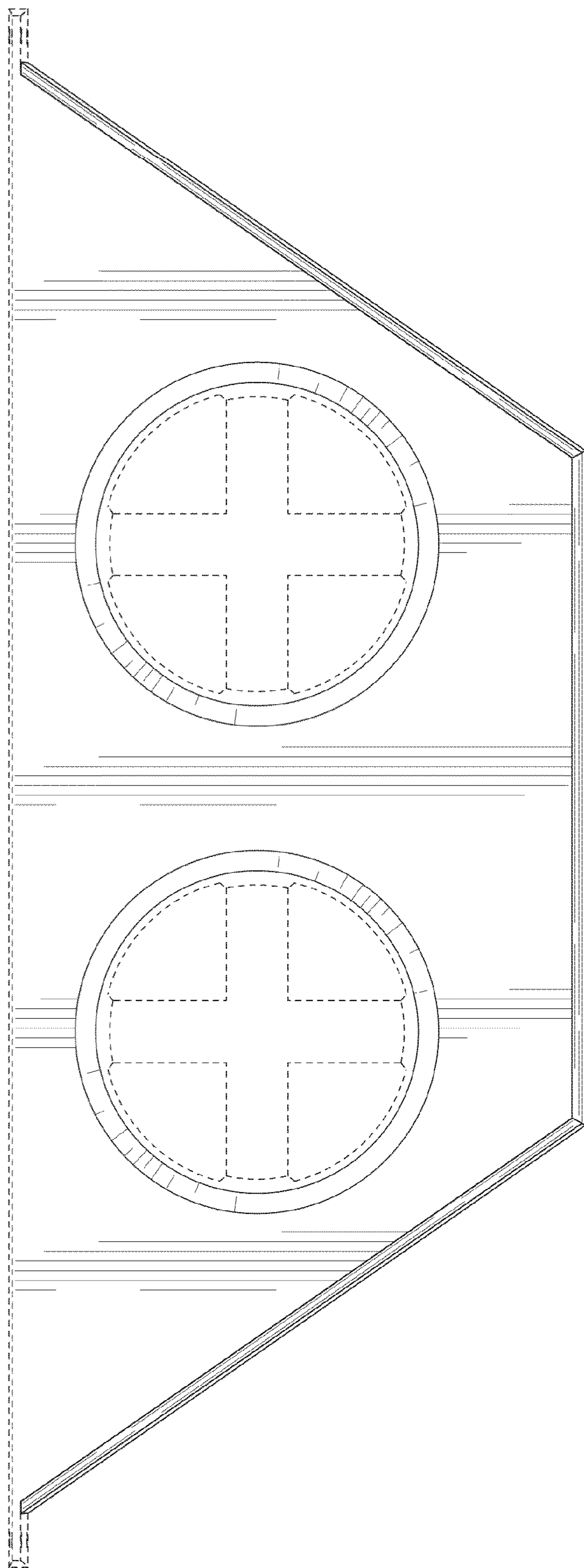


FIG. 7

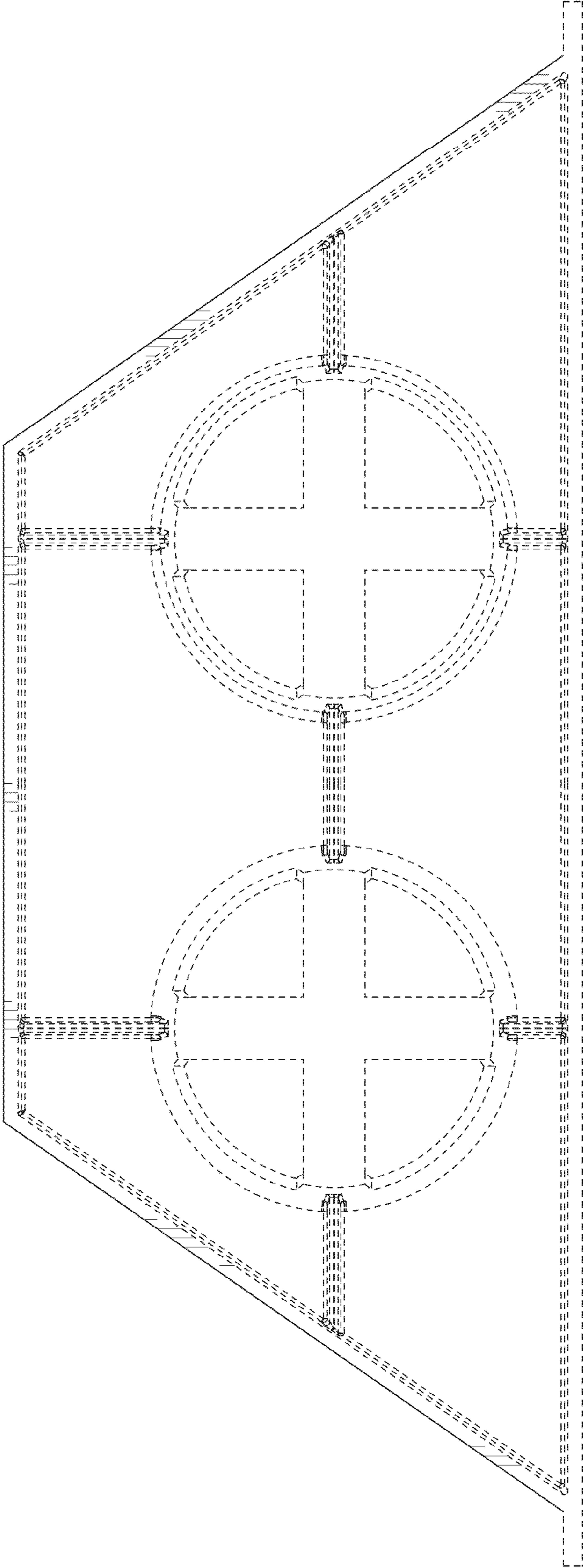


FIG. 8