



US00D721544S

(12) **United States Design Patent**  
**Hollander**

(10) **Patent No.:** **US D721,544 S**  
(45) **Date of Patent:** **\*\* Jan. 27, 2015**

(54) **CUP HOLDER**

(76) Inventor: **Ted Hollander**, Parkland, FL (US)

(\*\*) Term: **14 Years**

(21) Appl. No.: **29/423,353**

(22) Filed: **May 31, 2012**

(51) **LOC (10) Cl.** ..... **07-06**

(52) **U.S. Cl.**  
USPC ..... **D7/620**

(58) **Field of Classification Search**  
USPC ..... D7/620, 602, 608, 213, 619.1;  
D12/419, 420, 411; 215/13.1, 12.1,  
215/393; 220/592.16, 495.03, 62.12;  
248/146, 311.2; D9/434, 455; D34/27  
See application file for complete search history.

(56) **References Cited**

**U.S. PATENT DOCUMENTS**

D67,599 S	6/1925	Jordan	
4,721,216 A *	1/1988	Kinder	215/393
D344,876 S	3/1994	Vandergon	
D380,125 S *	6/1997	Ayotte et al.	D7/620
D380,652 S *	7/1997	Ayotte et al.	D7/620
D398,127 S *	9/1998	Bergin et al.	D34/27
5,813,644 A *	9/1998	Bergin	248/311.2
D400,678 S *	11/1998	Clark et al.	D34/27
D425,012 S *	5/2000	Bergin	D12/419
D431,756 S *	10/2000	Kimbrough et al.	D7/620
D548,015 S *	8/2007	Bergin	D7/620

D559,630 S *	1/2008	Bergin	D7/620
D563,177 S *	3/2008	Bergin	D7/620
D574,197 S *	8/2008	Bergin	D7/620
D574,669 S *	8/2008	Bergin	D7/620
D635,832 S	4/2011	Bergin	

\* cited by examiner

*Primary Examiner* — Brandon M Rosati

(74) *Attorney, Agent, or Firm* — Fleit Gibbons Gutman Bongini and Bianco PL; Paul D. Bianco; Gary S. Winer

(57) **CLAIM**

The ornamental design for a cup holder, as shown and described.

**DESCRIPTION**

FIG. 1 is a first perspective view of a cup holder according to the present invention;

FIG. 2 is a second perspective view of the cup holder of FIG. 1;

FIG. 3 is a front view of the cup holder of FIG. 1;

FIG. 4 is a rear view of the cup holder of FIG. 1;

FIG. 5 is a first side view of the cup holder of FIG. 1;

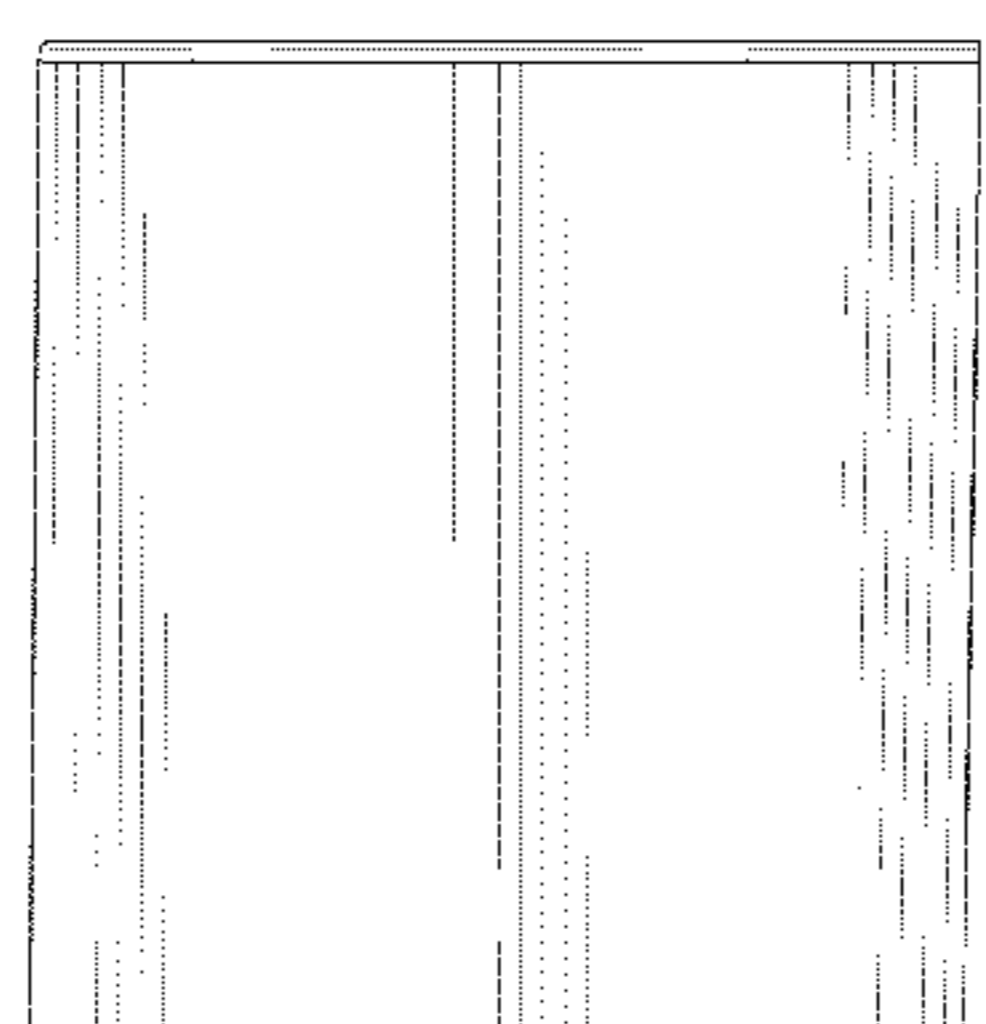
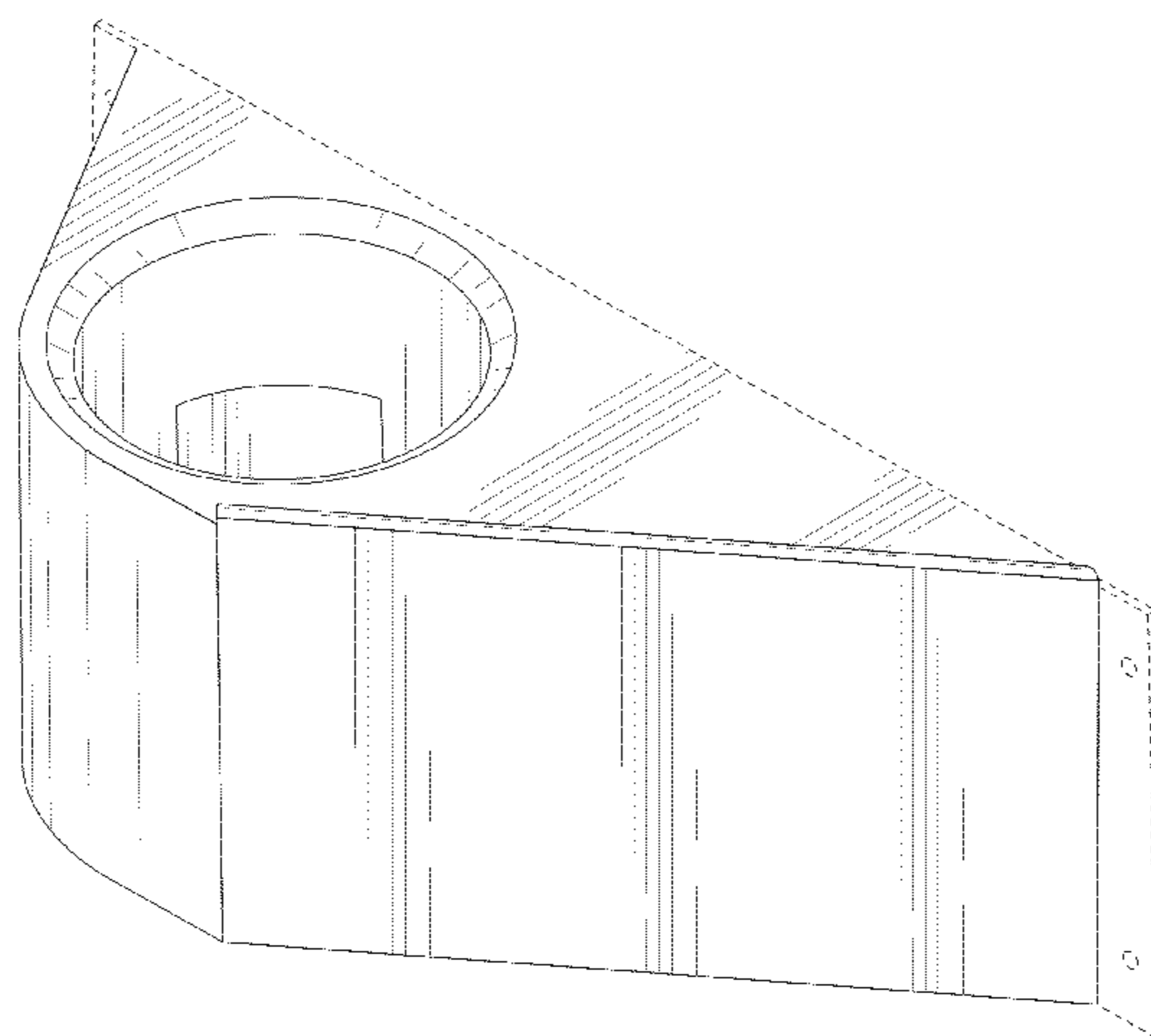
FIG. 6 is a second side view of the cup holder of FIG. 1;

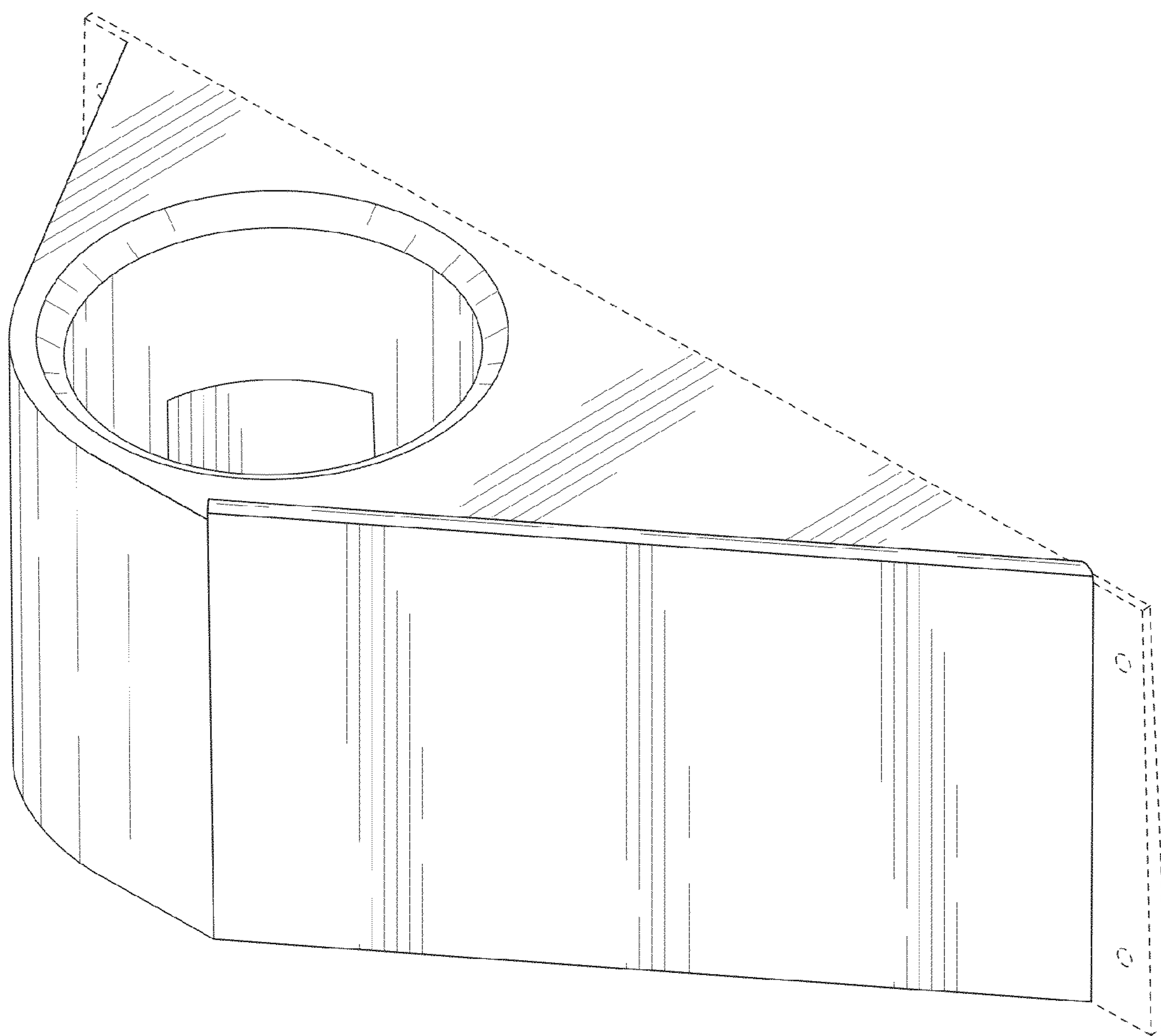
FIG. 7 is a top view of the cup holder of FIG. 1; and,

FIG. 8 is a bottom view of the cup holder of FIG. 1.

The broken line showing of a cross-shaped element in FIG. 7-8, ribbing, rings and flat surfaces in FIG. 8, a ring with 4 extensions in FIG. 7 and rear section in FIGS. 1-8 are included for the purpose of illustrating portions of the article that form no part of the claimed design.

**1 Claim, 5 Drawing Sheets**





**FIG. 1**

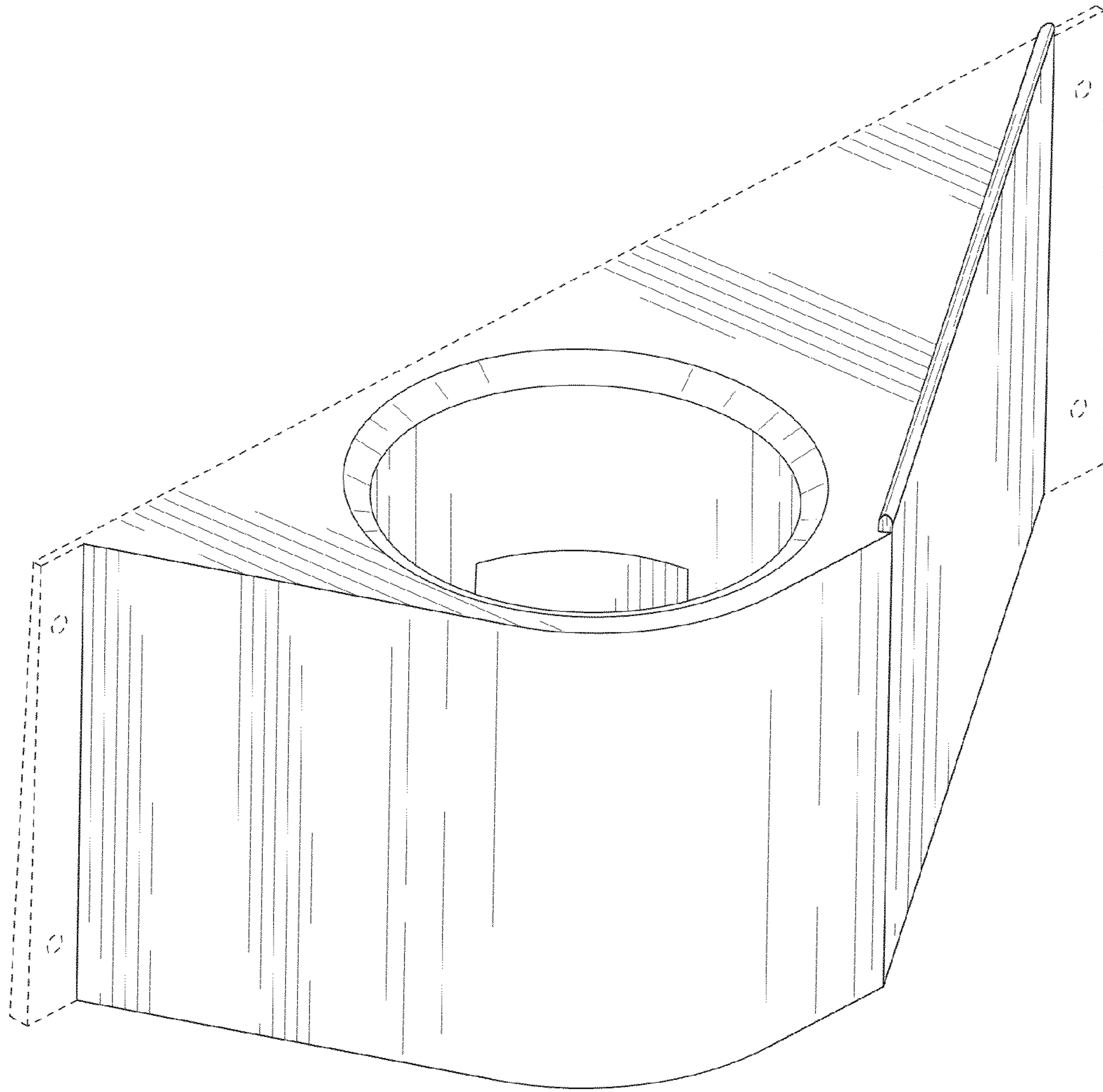


FIG. 2



FIG. 3

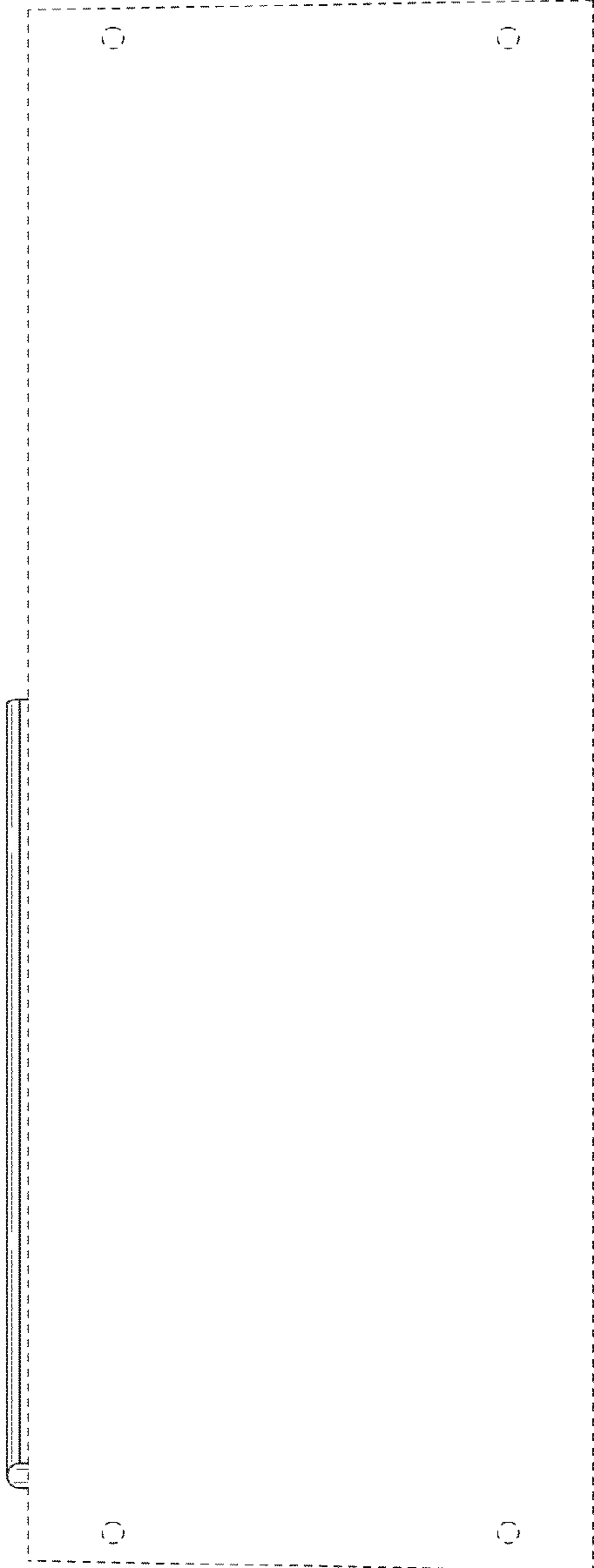
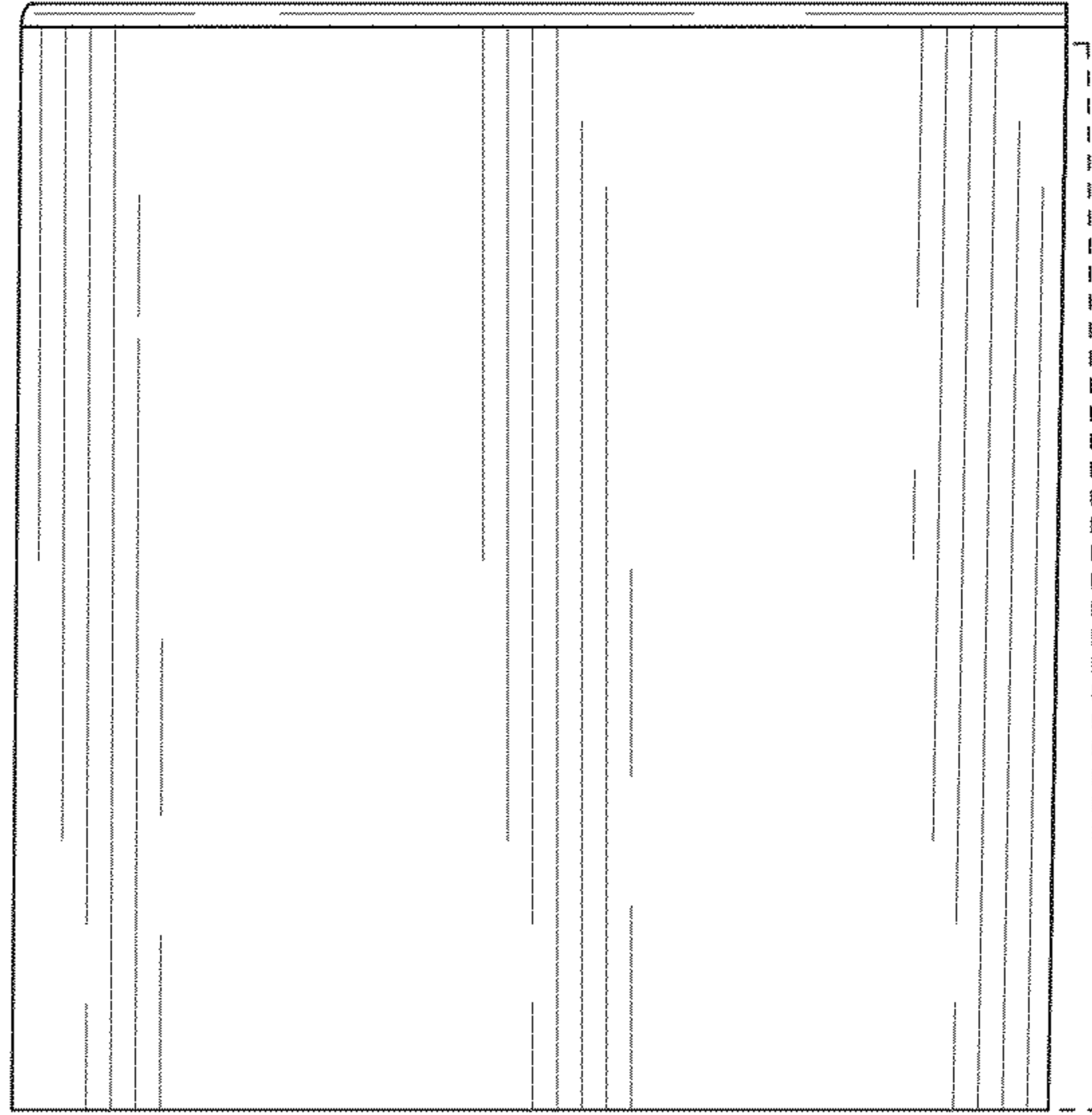
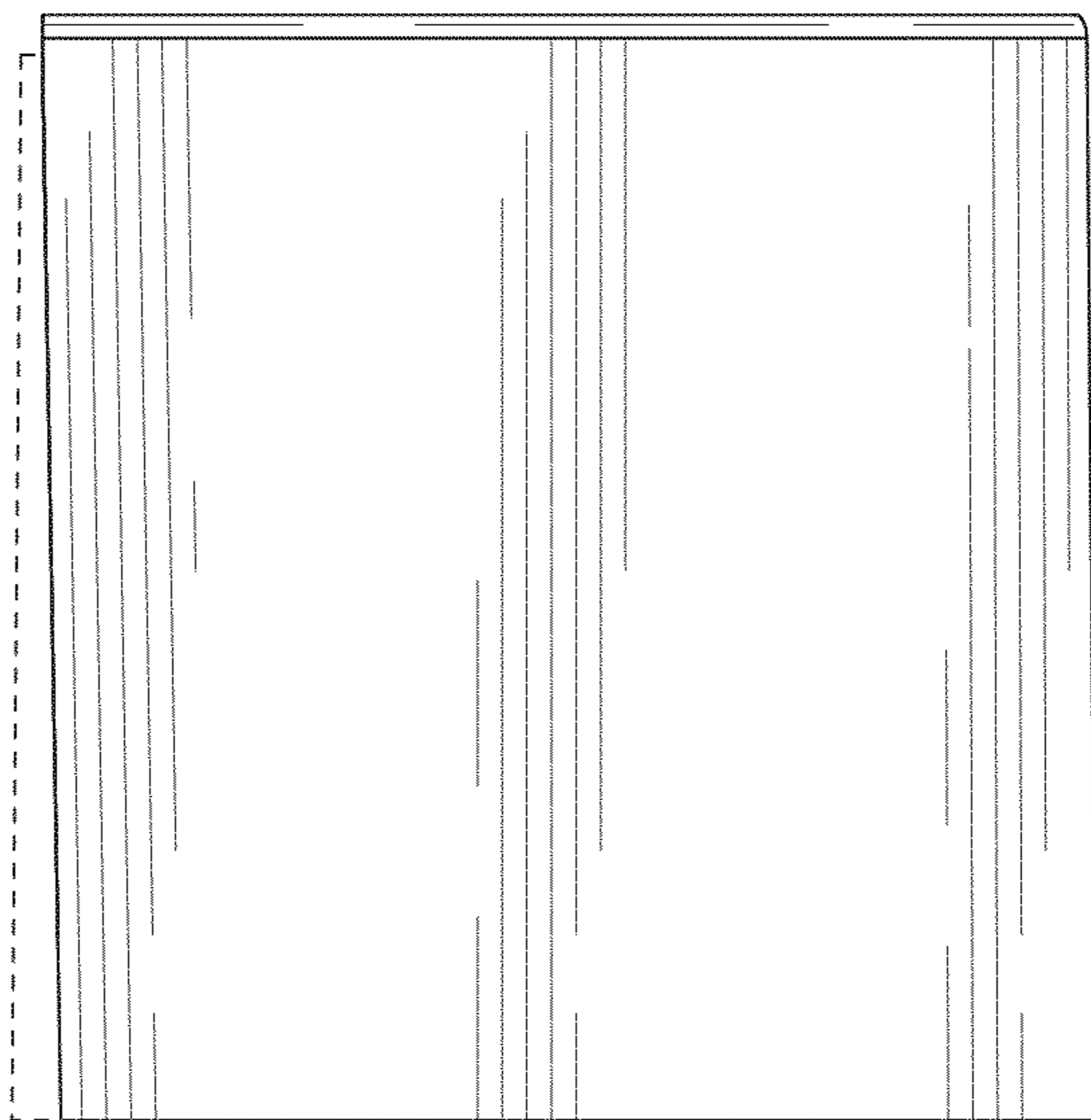


FIG. 4



**FIG. 5**



**FIG. 6**



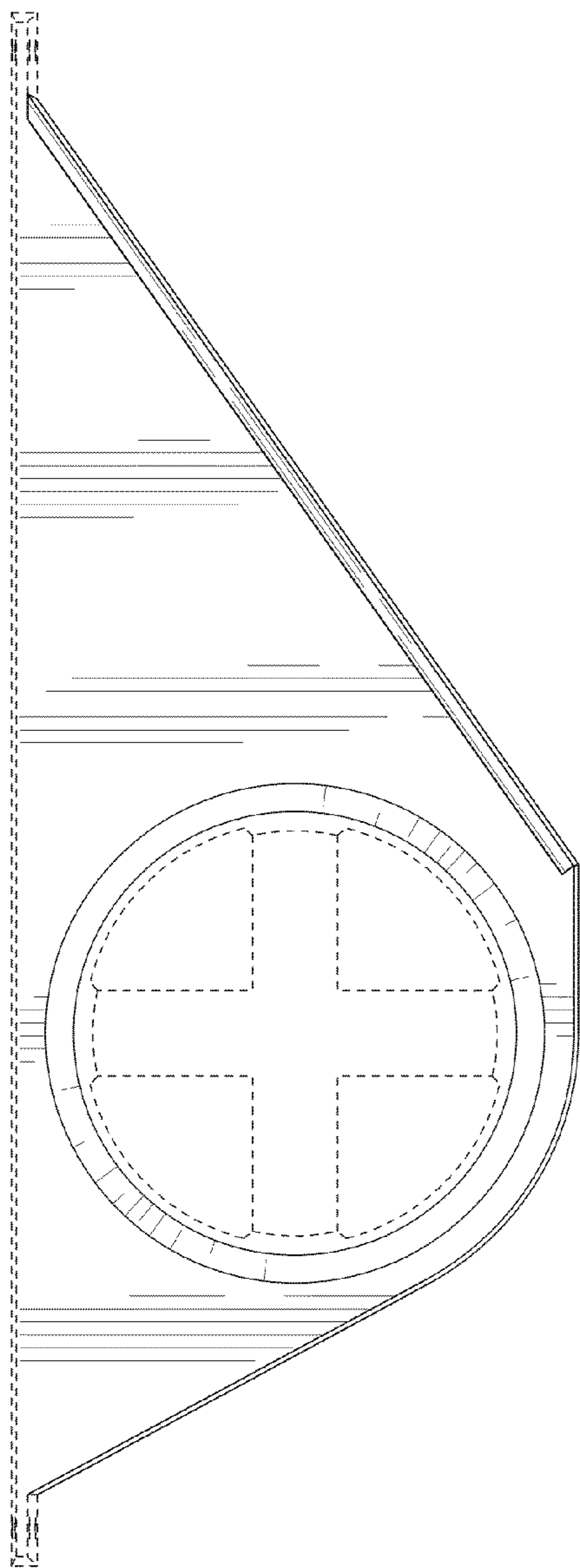


FIG. 7

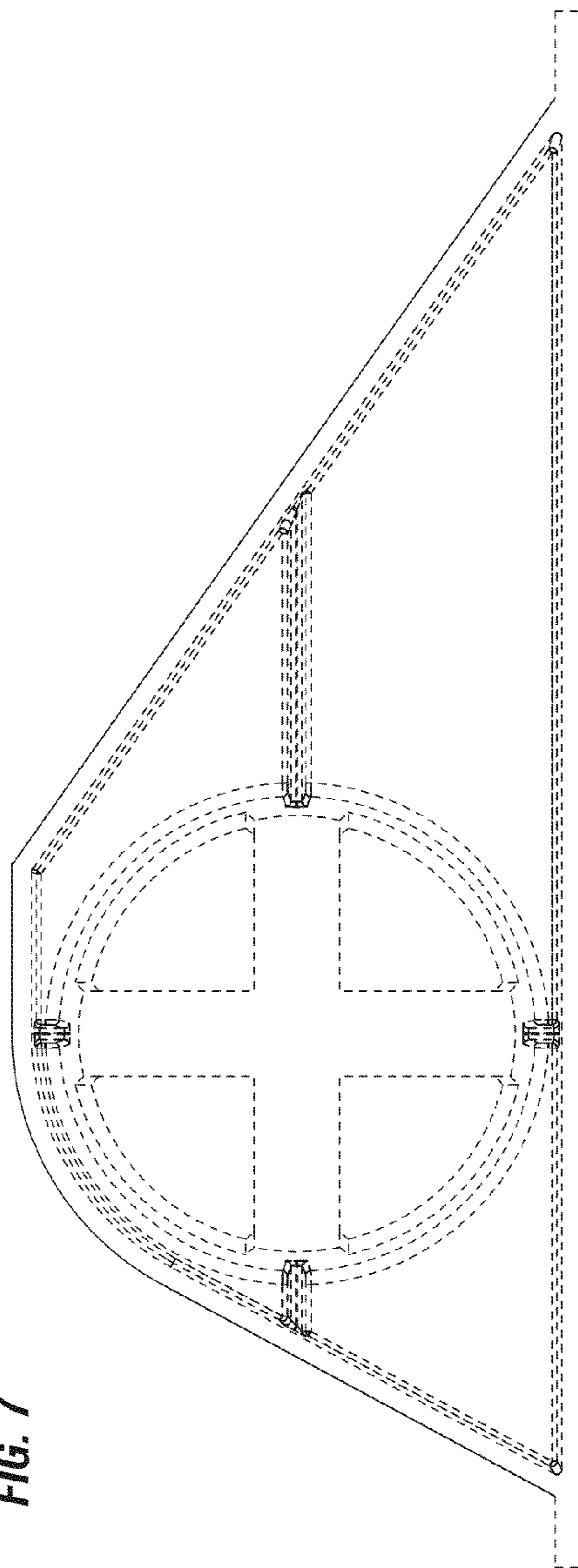


FIG. 8