



US00D721543S

(12) **United States Design Patent**
Min et al.

(10) **Patent No.:** **US D721,543 S**
(45) **Date of Patent:** **** Jan. 27, 2015**

- (54) **STACKABLE DISH WITH COVER**
- (71) Applicants: **Kristen Yoohee Min**, Wauconda, IL
(US); **Jee Yeon Yoo Kim**, Barrington, IL
(US)
- (72) Inventors: **Kristen Yoohee Min**, Wauconda, IL
(US); **Jee Yeon Yoo Kim**, Barrington, IL
(US)

D338,808 S *	8/1993	Anderson	D7/553.5
D360,111 S *	7/1995	Kearney	D7/553.5
D575,077 S *	8/2008	Kessels	D6/406.3
D591,560 S *	5/2009	Lackey et al.	D7/553.8
7,874,449 B1 *	1/2011	Studee et al.	220/502
D680,379 S *	4/2013	Lackey	D7/553.2
D698,666 S *	2/2014	Sifuentes et al.	D9/761
D698,667 S *	2/2014	Snedden et al.	D9/761

* cited by examiner

(**) Term: **14 Years**

Primary Examiner — Kelley Donnelly

(74) *Attorney, Agent, or Firm* — Michael McGreal

(21) Appl. No.: **29/463,745**

(57) **CLAIM**

We claim the ornamental design for a stackable dish with cover, as shown and described.

(22) Filed: **Feb. 21, 2014**

DESCRIPTION

(51) **LOC (10) Cl.** **07-01**

(52) **U.S. Cl.**
USPC **D7/553.1**

(58) **Field of Classification Search**
USPC D9/761, 341, 345, 347, 424, 426;
D3/313, 315; D7/550.1, 552.2, 553.1,
D7/601–602; D6/406.1, 406.3, 336;
296/37.1; 211/126.1, 126.2; 220/557,
220/564–565; 206/557, 562, 564, 503–505
See application file for complete search history.

FIG. 1 is a front perspective view of the stackable dish with cover, the stackable dish with recesses with a conforming cover with recesses of our design where another dish is stackable into the cover recesses.
FIG. 2 is a top plan view thereof.
FIG. 3 is a front elevation view thereof.
FIG. 4 is a right side elevation view thereof.
FIG. 5 is a rear elevation view thereof.
FIG. 6 is a left side elevation view thereof.
FIG. 7 is a bottom view thereof; and,
FIG. 8 is a perspective view of stacked dishes with conforming covers thereof.

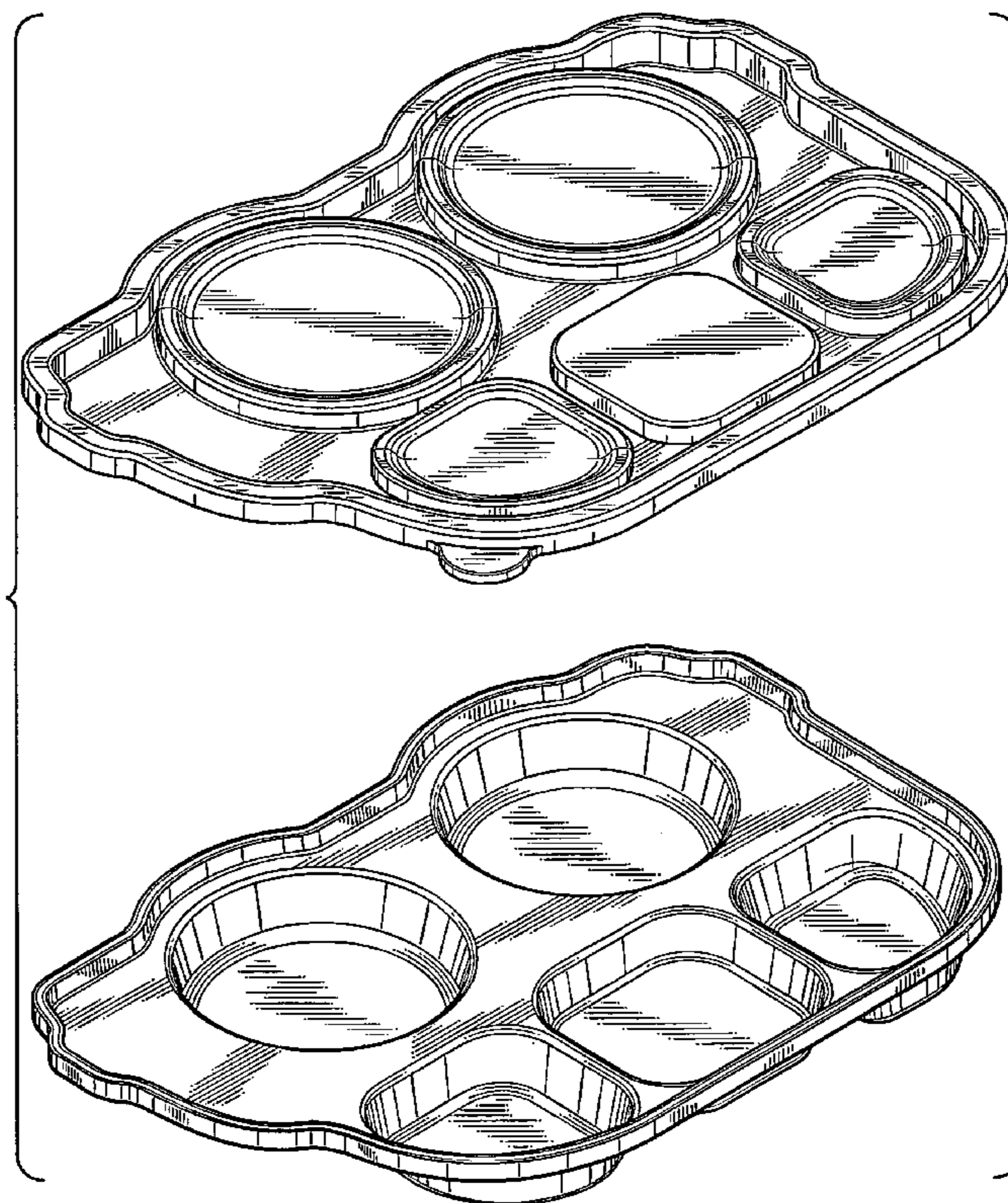
The broken lines are for the purpose of illustrating the environment of the article only and form no part of the claimed design.

(56) **References Cited**

U.S. PATENT DOCUMENTS

D198,804 S *	8/1964	Stevens	D7/552.2
D276,116 S *	10/1984	Basil	D7/541
D333,237 S *	2/1993	Plaut	D7/553.2

1 Claim, 4 Drawing Sheets



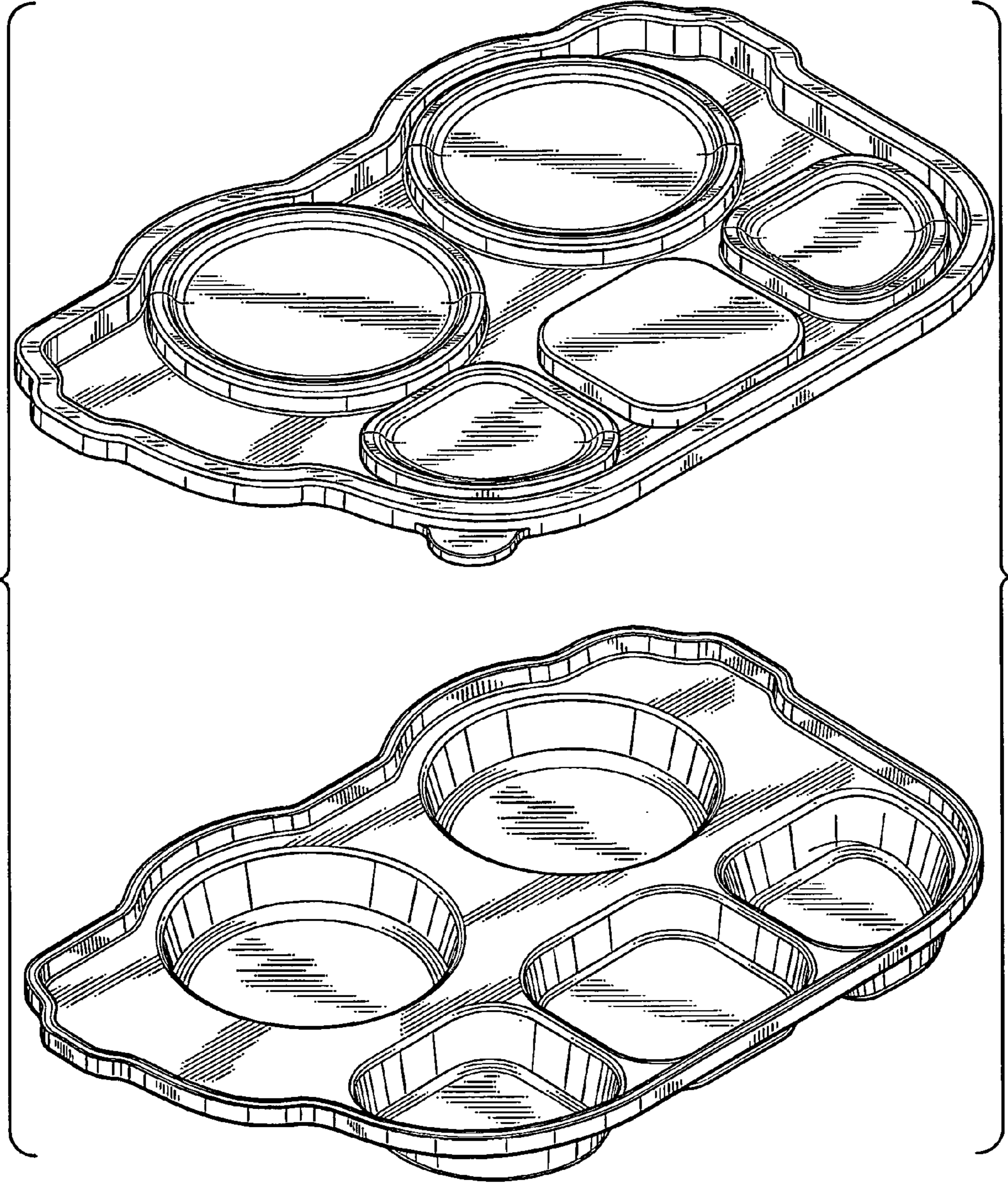


FIG. 1

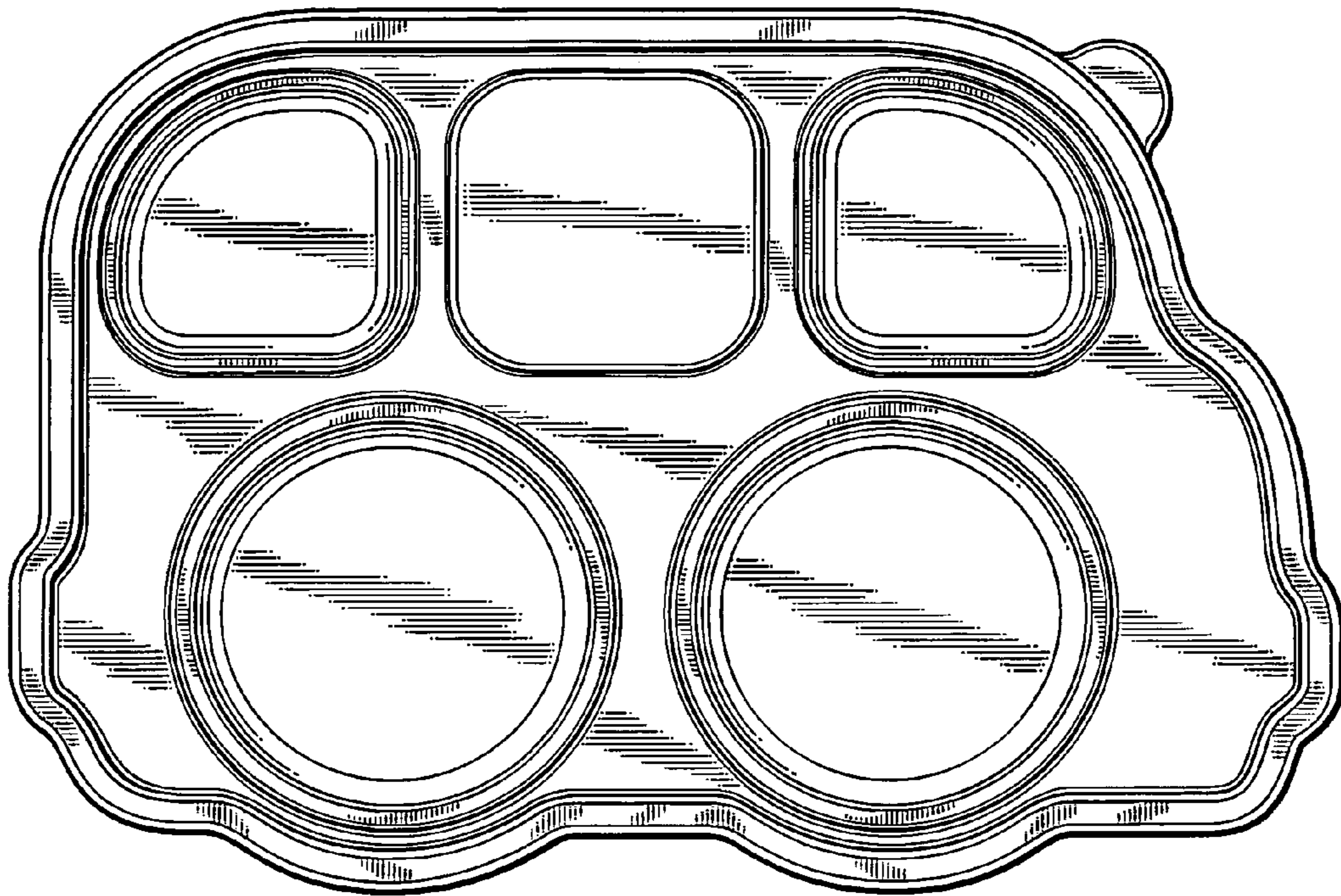


FIG. 2



FIG. 3



FIG. 4

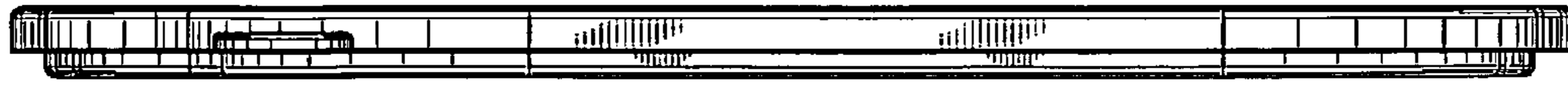


FIG. 5



FIG. 6

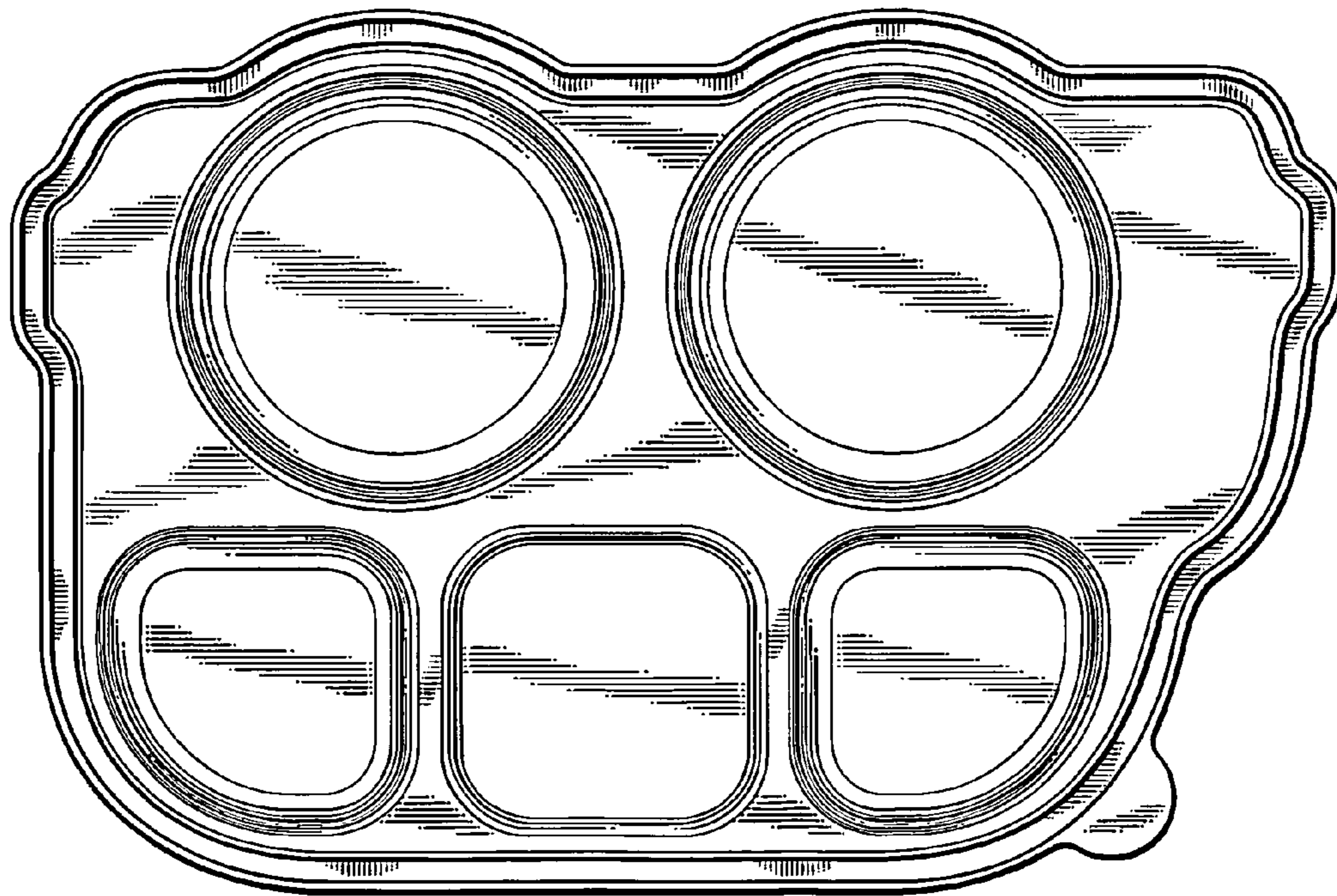


FIG. 7

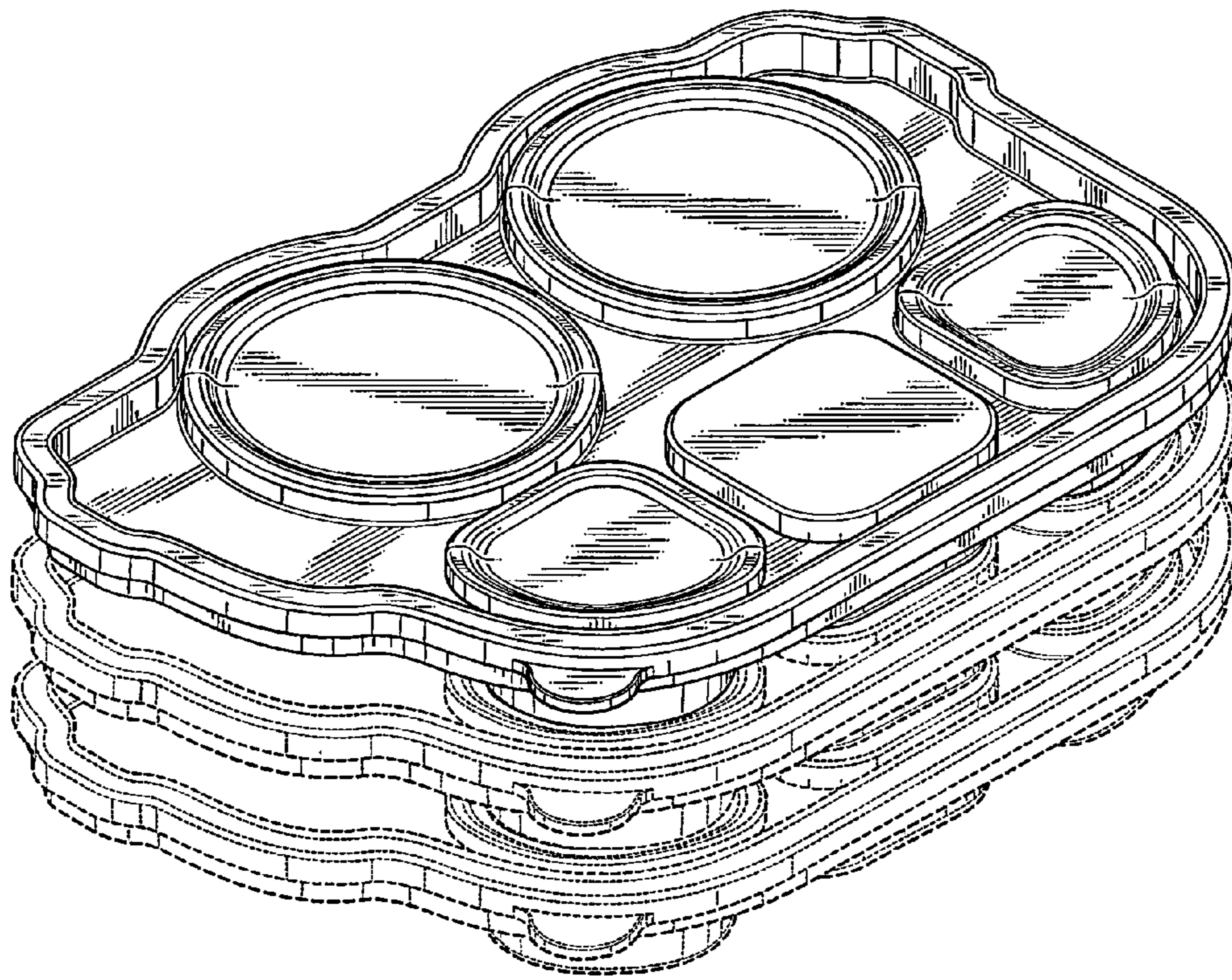


FIG. 8