



US00D721535S

(12) **United States Design Patent**
Chapman et al.

(10) **Patent No.:** **US D721,535 S**

(45) **Date of Patent:** **** Jan. 27, 2015**

(54) **TRAVEL MUG LID**

(71) Applicants: **Dean B. Chapman**, New York, NY (US); **Sung N. Truong**, Brooklyn, NY (US)

(72) Inventors: **Dean B. Chapman**, New York, NY (US); **Sung N. Truong**, Brooklyn, NY (US)

(73) Assignee: **Pollen Design, Inc.**, New York, NY (US)

(**) Term: **14 Years**

(21) Appl. No.: **29/456,976**

(22) Filed: **Jun. 5, 2013**

(51) **LOC (10) Cl.** **07-01**

(52) **U.S. Cl.**
USPC **D7/396.2; D9/450**

(58) **Field of Classification Search**
CPC **A47G 19/22-19/23**
USPC **D7/396.2, 392.1, 510, 509, 511;**
D9/435, 439, 440, 445, 447, 449, 450,
D9/454, 500, 503-505; 220/254.3, 705,
220/709, 713, 714

See application file for complete search history.

(56) **References Cited**

U.S. PATENT DOCUMENTS

D485,759 S *	1/2004	Janky et al.	D9/449
D504,796 S *	5/2005	Schuler et al.	D7/392.1
D608,140 S *	1/2010	Gilbert	D7/396.2
D609,054 S *	2/2010	Gilbert	D7/510
D632,132 S *	2/2011	George	D7/510
D667,265 S *	9/2012	George	D7/396.2
D691,416 S *	10/2013	Eyal	D7/396.2
D710,650 S *	8/2014	Blum et al.	D7/512
2005/0045634 A1 *	3/2005	Ward et al.	220/254.3
2006/0043091 A1 *	3/2006	Pinelli et al.	220/254.3
2011/0132908 A1 *	6/2011	Meehan	220/254.3
2014/0048549 A1 *	2/2014	Wille	220/713

2014/0061255 A1* 3/2014 EI-Saden et al. 222/537

* cited by examiner

Primary Examiner — Susan Bennett Hattan

Assistant Examiner — Brett Miller

(74) *Attorney, Agent, or Firm* — Klauber & Jackson LLC

(57) **CLAIM**

The ornamental design for a travel mug lid, as shown and described.

DESCRIPTION

FIG. 1 is a perspective view showing the top, front and right side of the travel mug lid of our new design, in the open position;

FIG. 2 is a perspective view similar to that of FIG. 1, showing the top, front and right side of the travel mug lid, in the closed position;

FIG. 3 is a top view of the travel mug lid in the open position;

FIG. 4 is a bottom view of the travel mug lid in the open position;

FIG. 5 is a top view of the travel mug lid in the closed position;

FIG. 6 is a bottom view of the travel mug lid in the closed position;

FIG. 7 is a front view of the travel mug lid in the open position;

FIG. 8 is a rear view of the travel mug lid in the open position;

FIG. 9 is a front view of the travel mug lid in the closed position;

FIG. 10 is a rear view of the travel mug lid in the closed position;

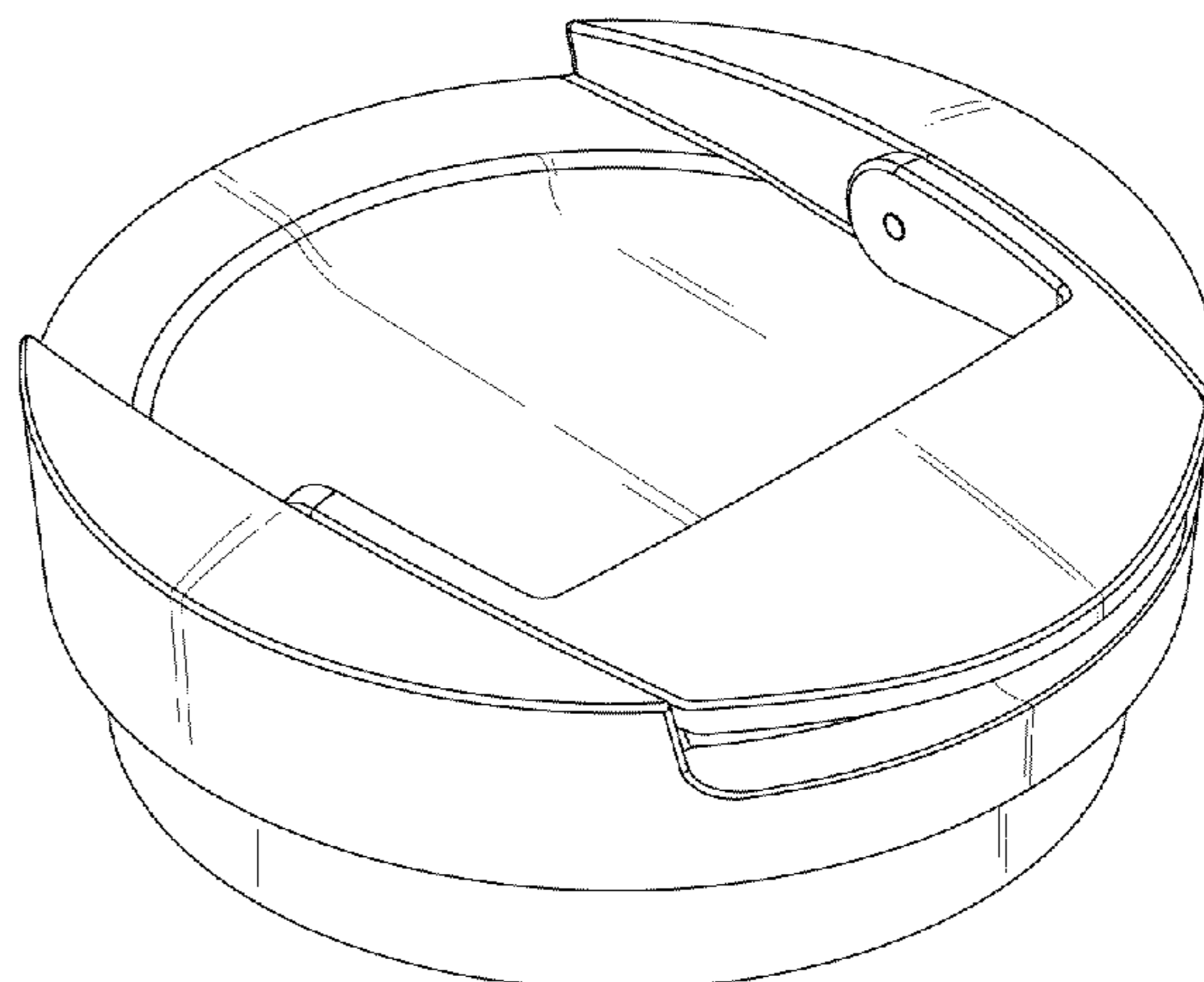
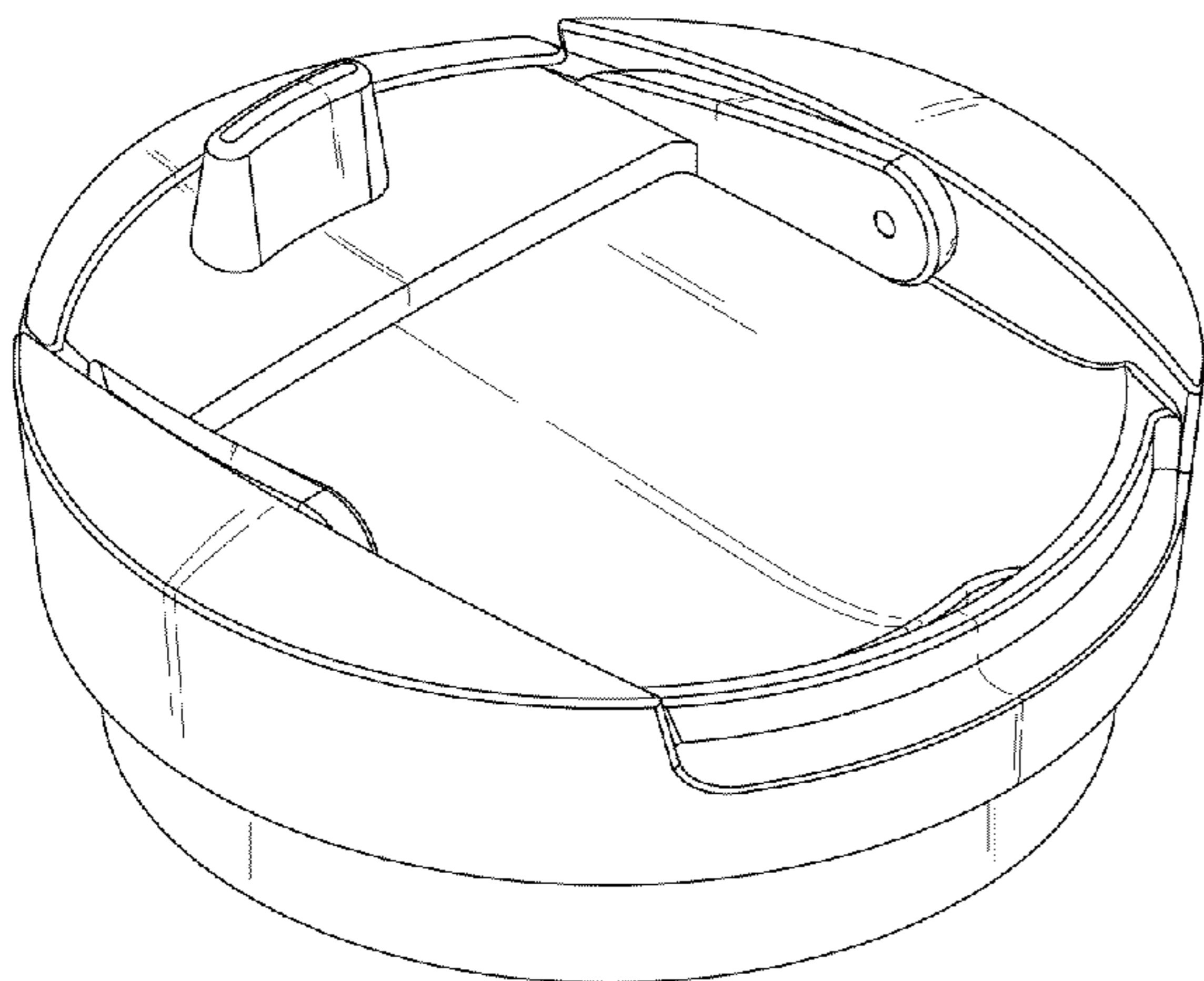
FIG. 11 is a right side view of the travel mug lid in the open position;

FIG. 12 is a right side sectional view taken through Line 12-12 of FIG. 3, showing the travel mug lid in the open position;

FIG. 13 is a right side view of the travel mug lid in the closed position; and,

FIG. 14 is a right side sectional view taken through Line 14-14 of FIG. 5, showing the travel mug lid in the closed position.

1 Claim, 4 Drawing Sheets



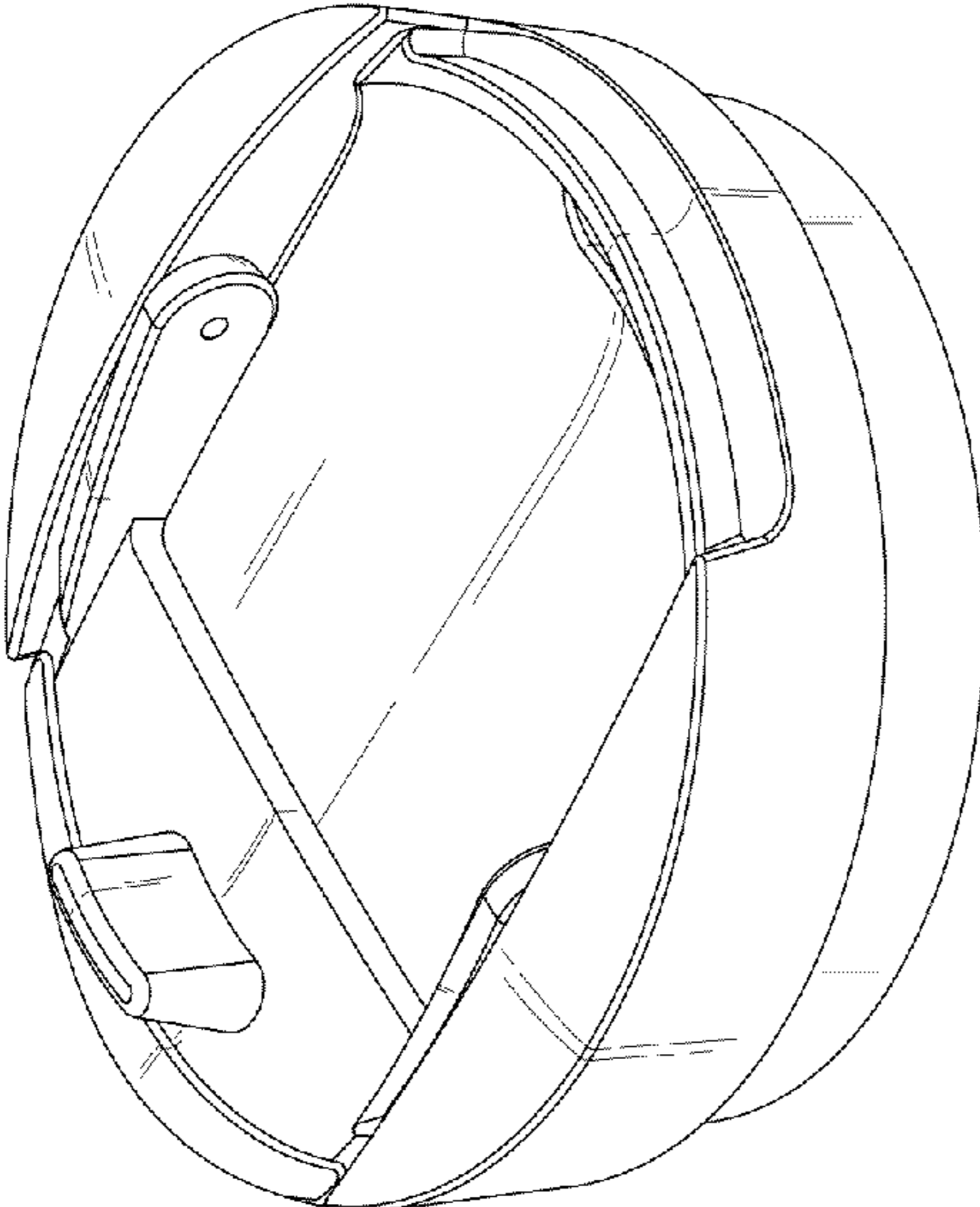


Fig. 1

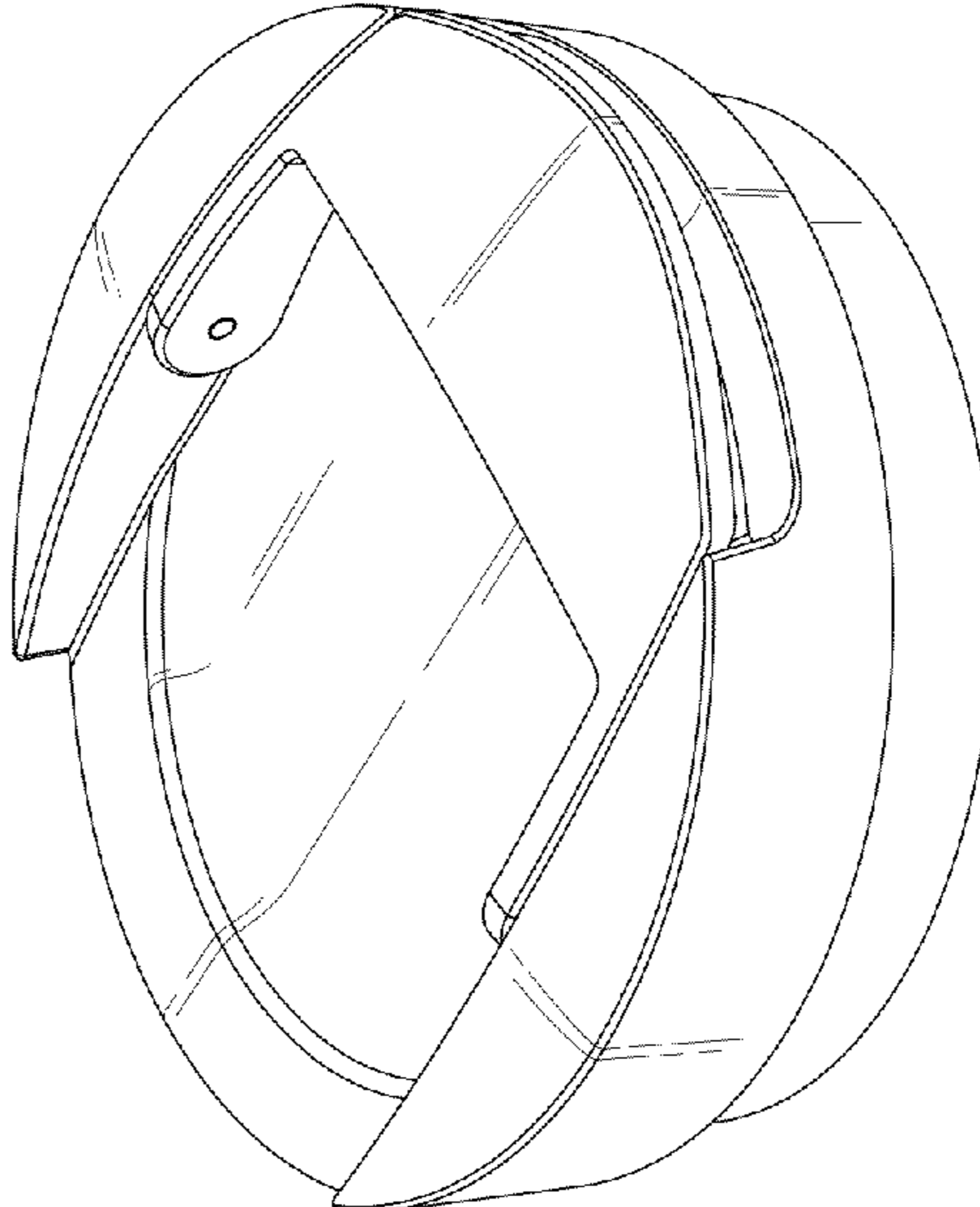


Fig. 2

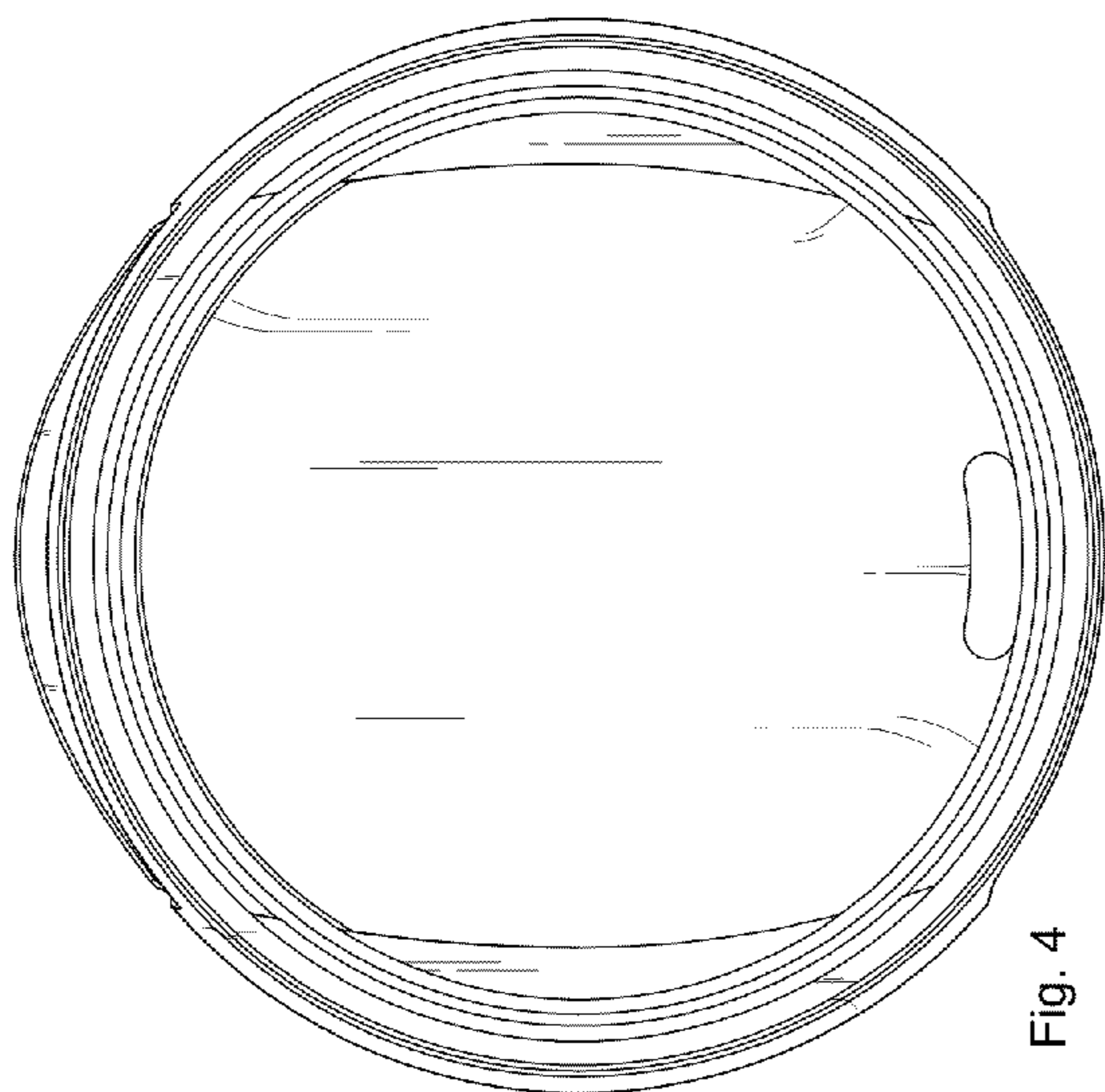


Fig. 4

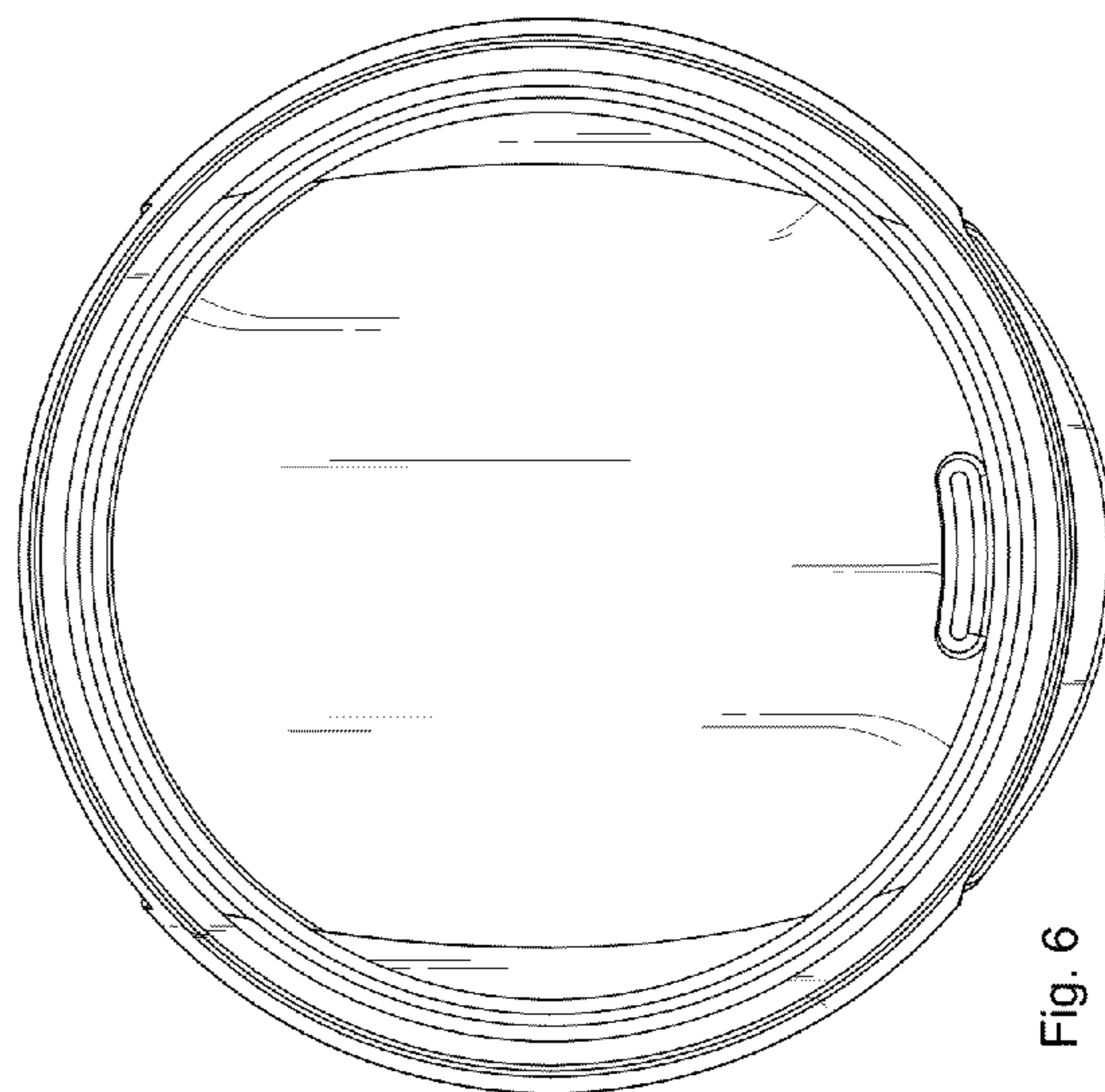


Fig. 6

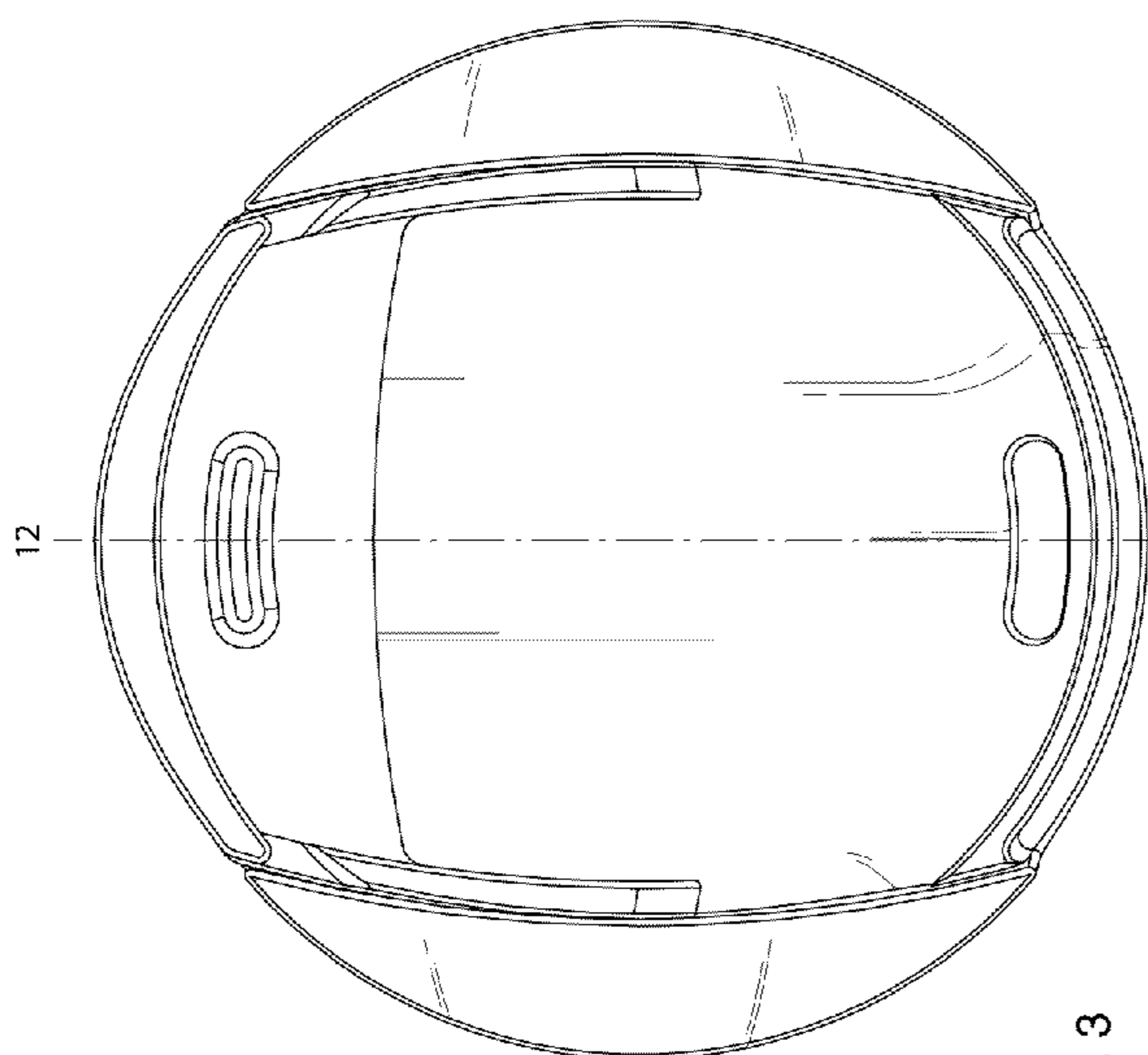


Fig. 3

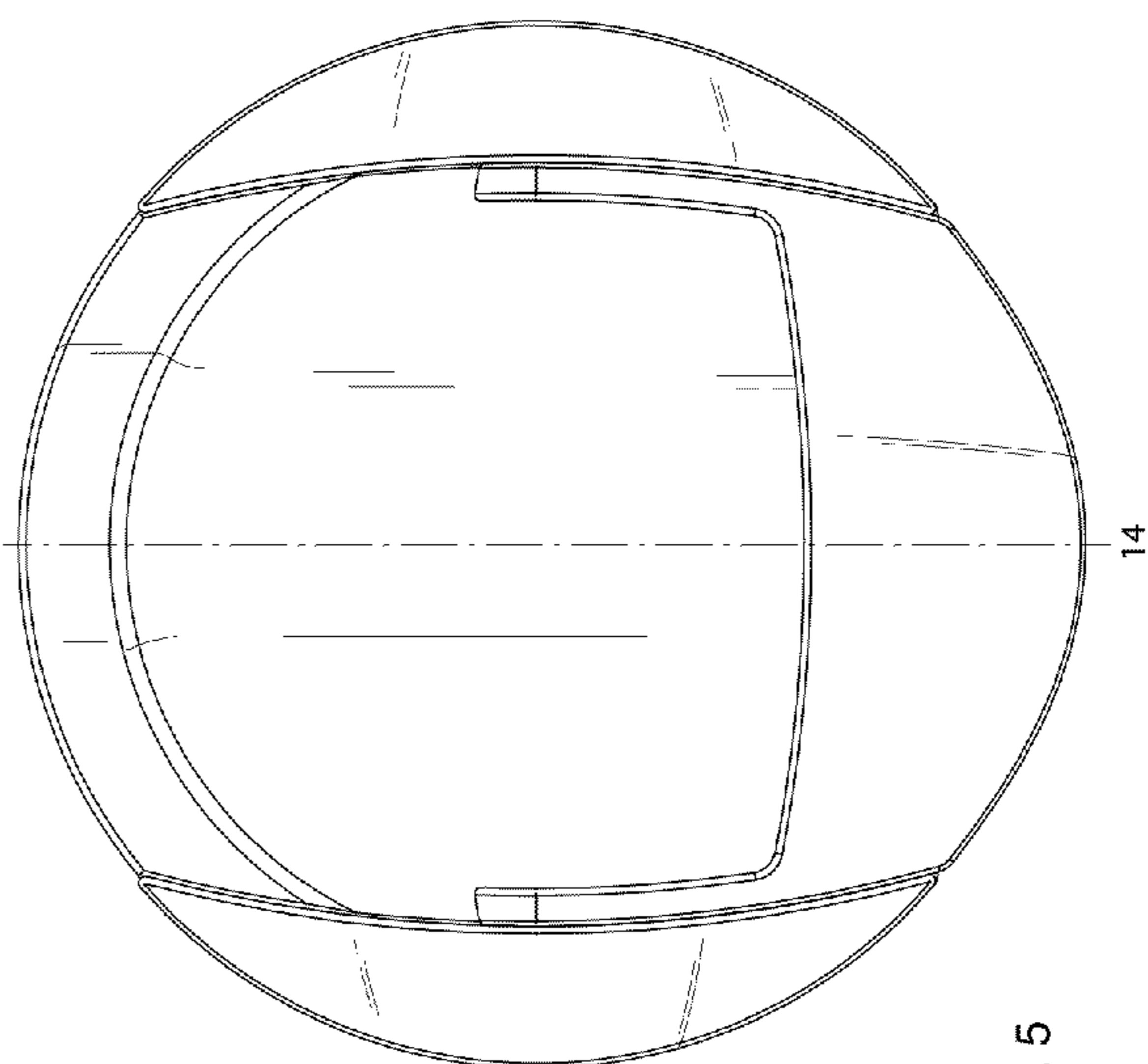


Fig. 5

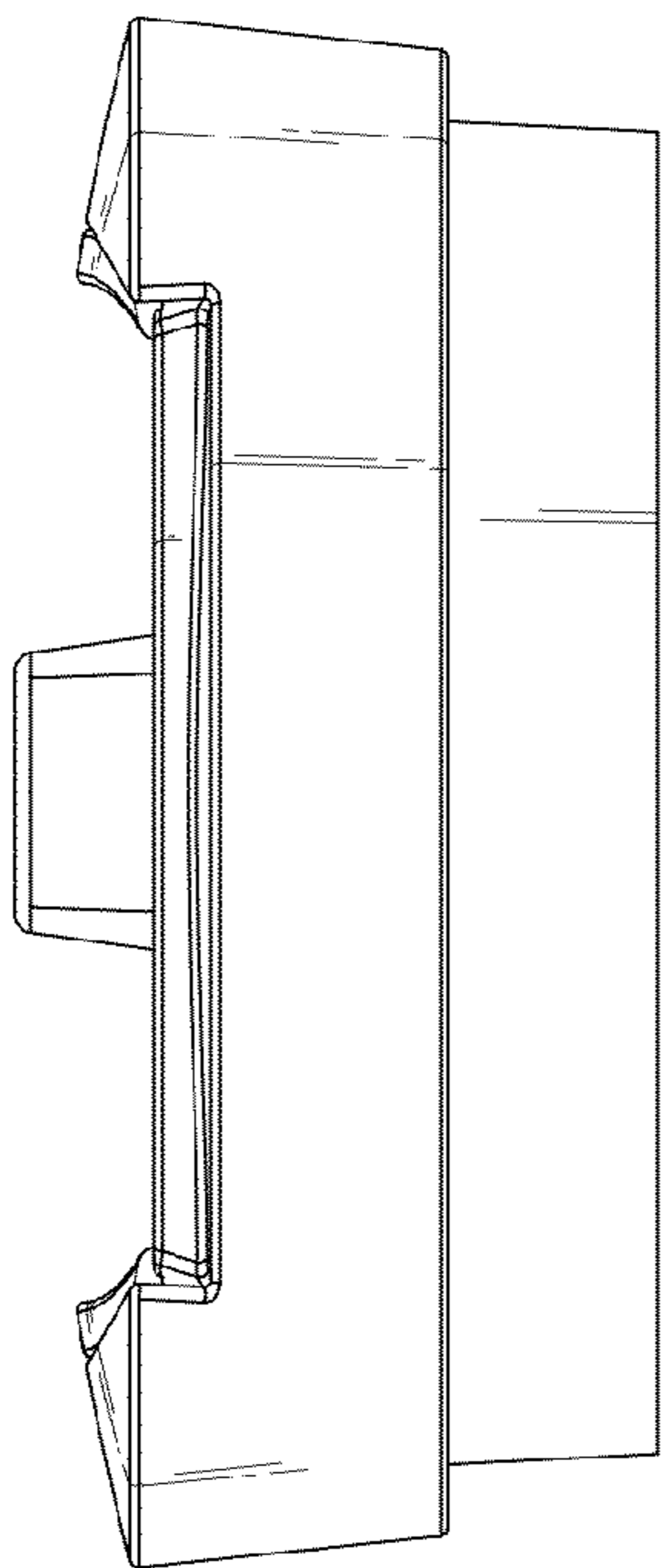


Fig. 7

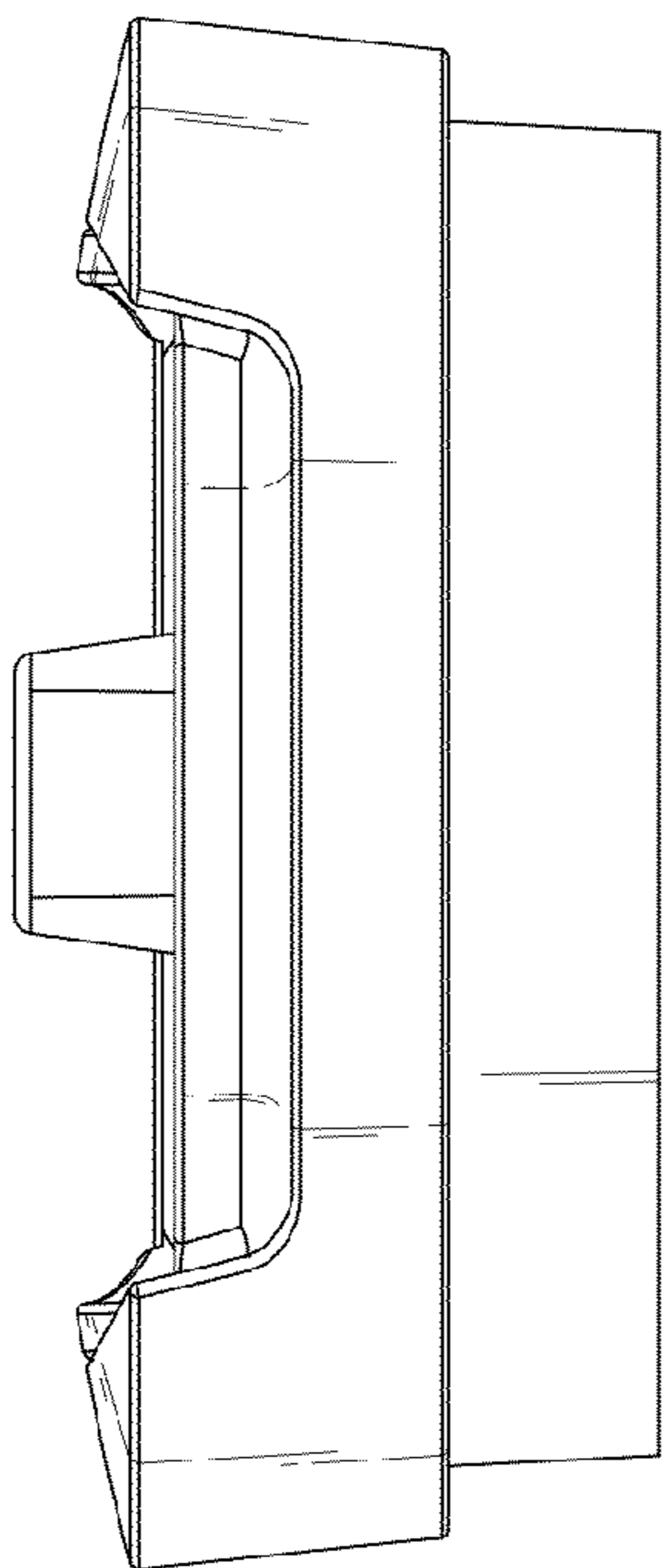


Fig. 8

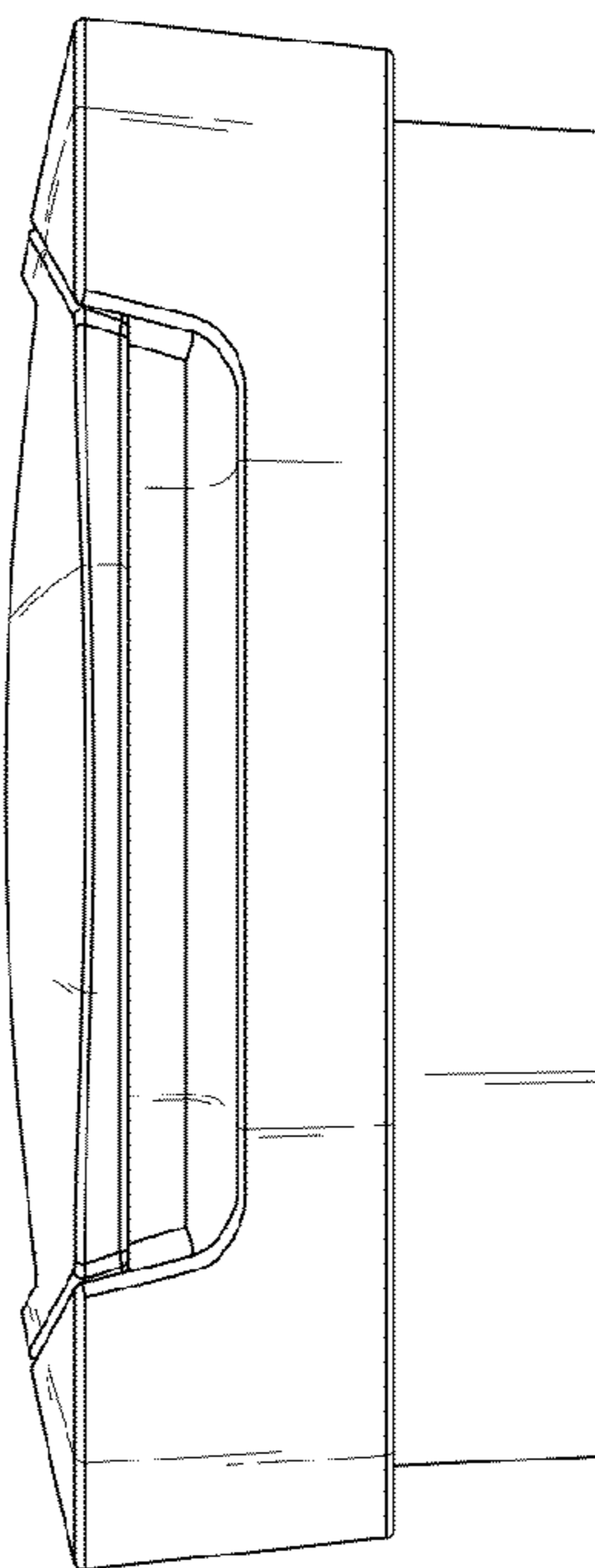


Fig. 9

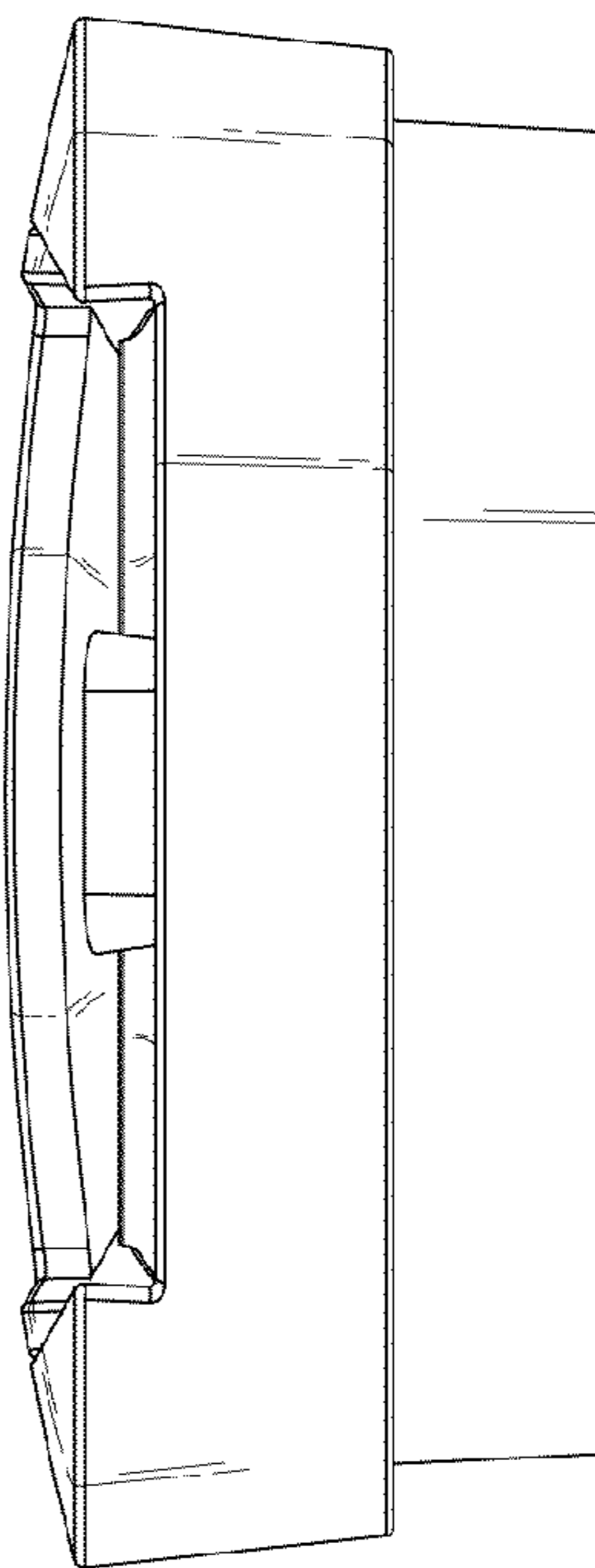


Fig. 10

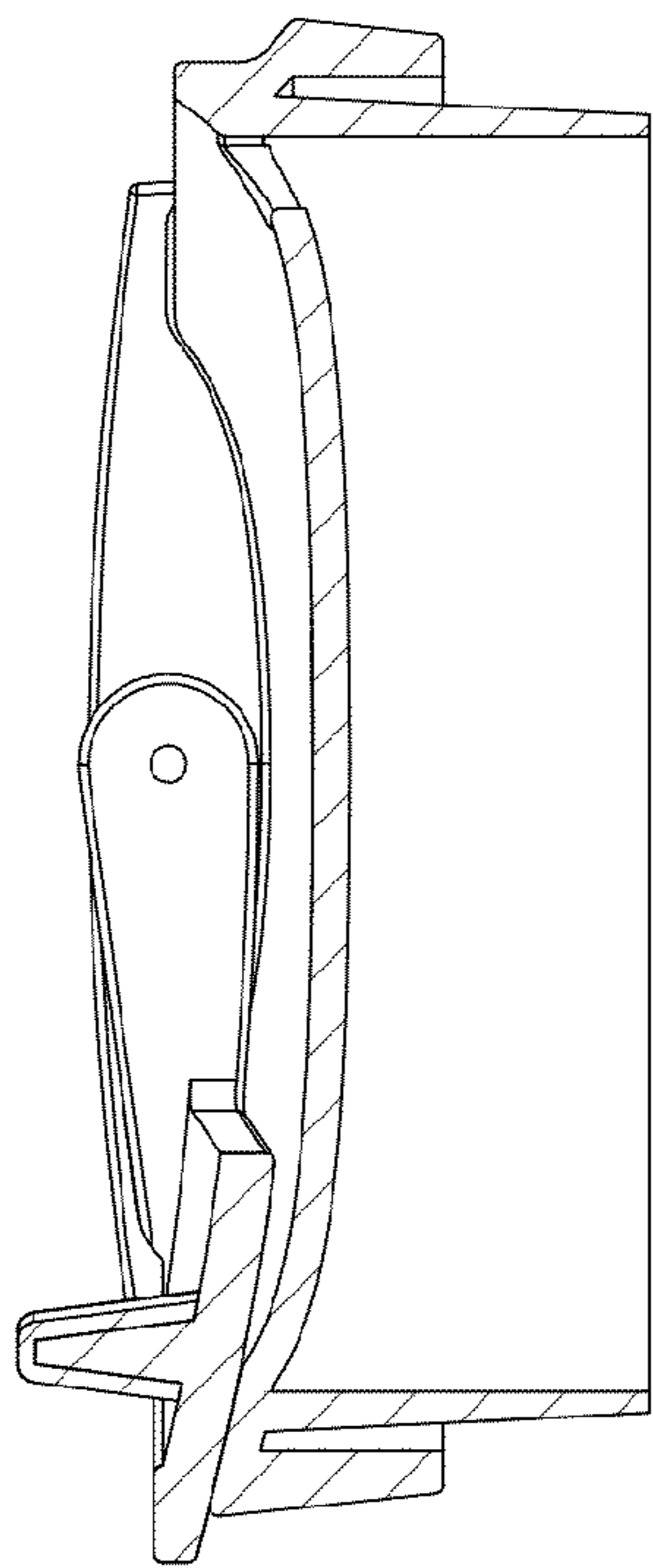


Fig. 12

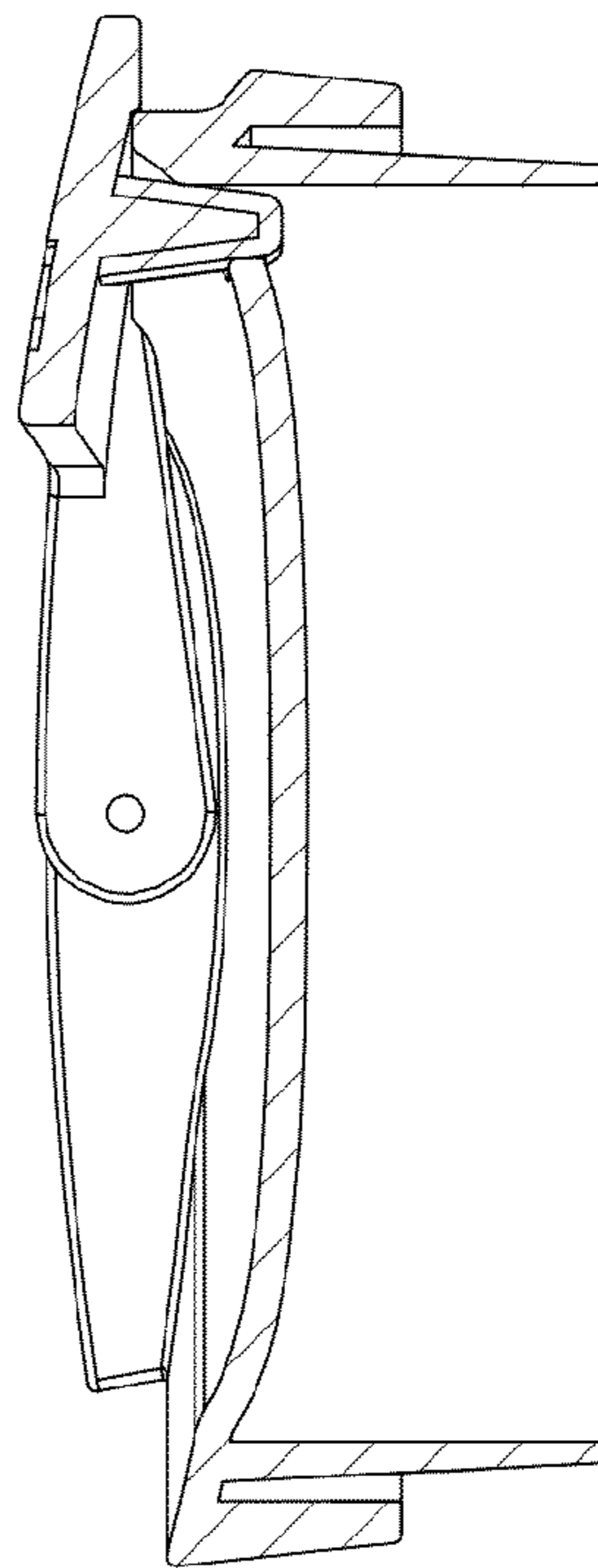


Fig. 14

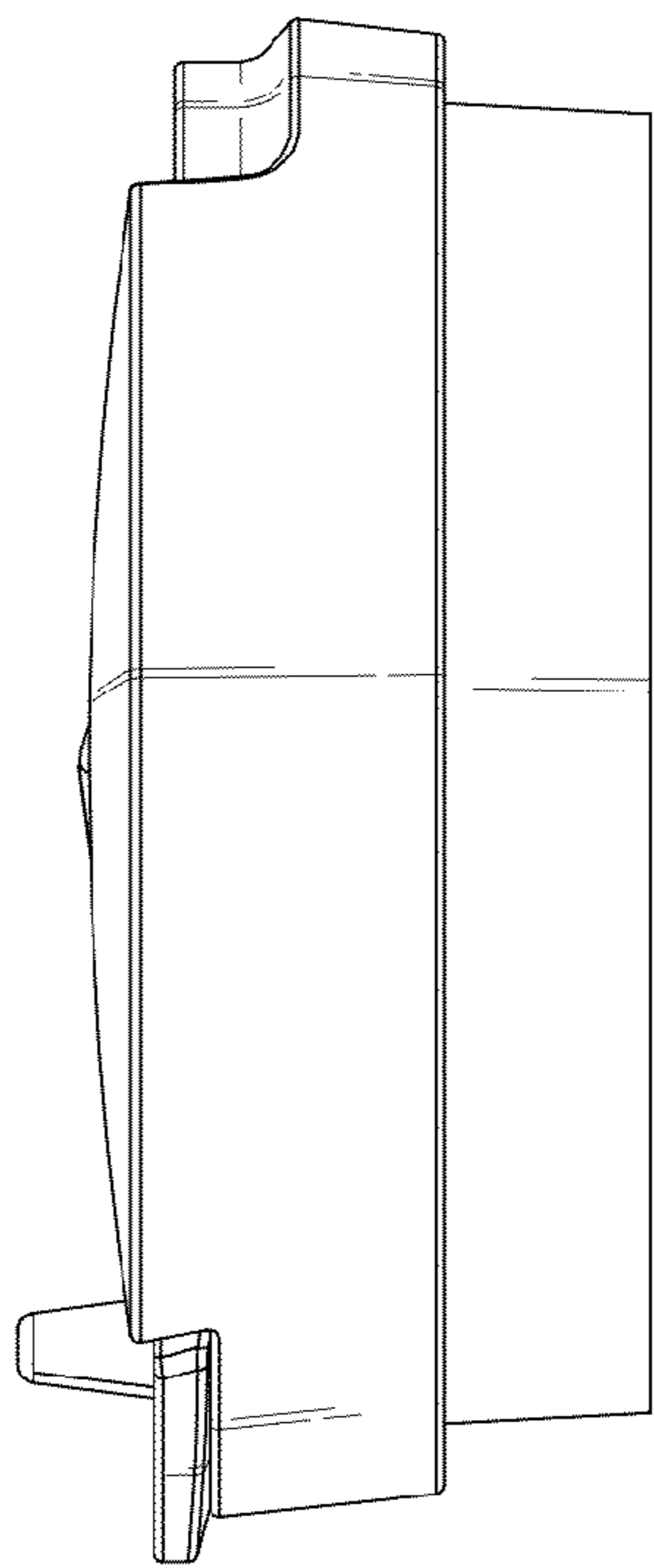


Fig. 11

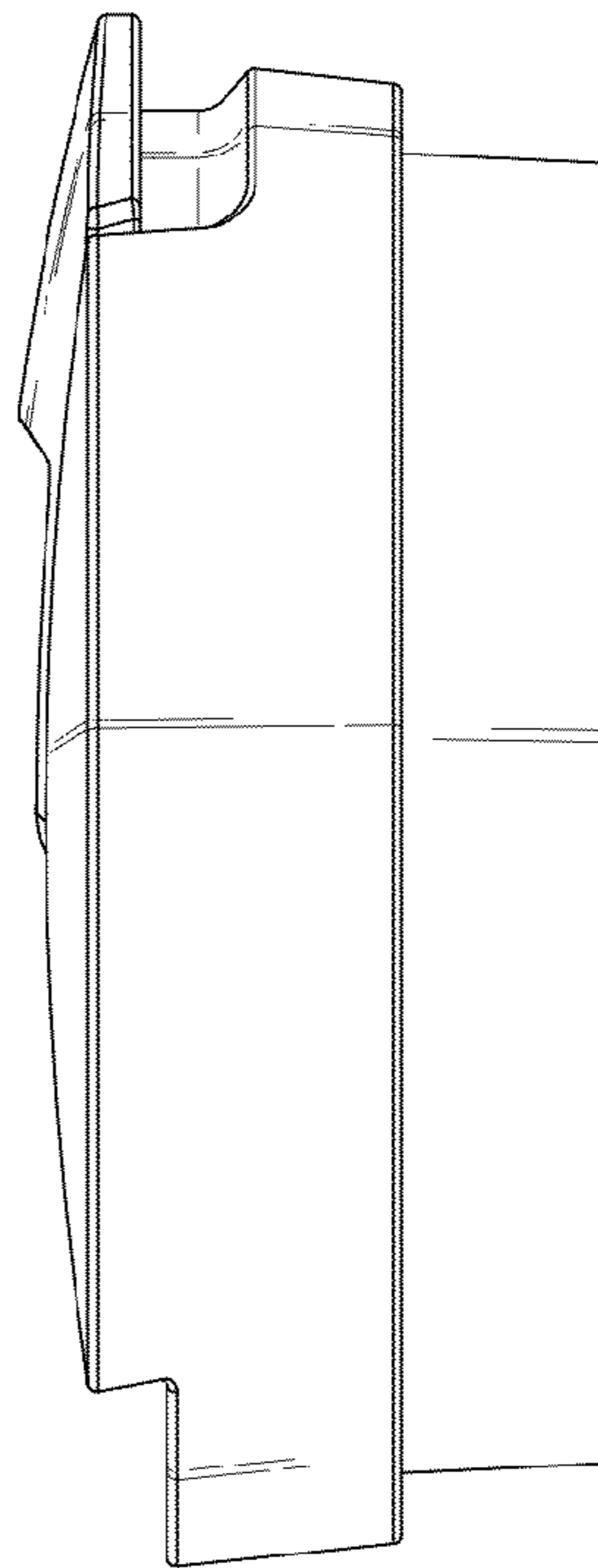


Fig. 13