



US00D721534S

(12) **United States Design Patent**  
**Rudisill et al.**

(10) **Patent No.:** **US D721,534 S**  
(45) **Date of Patent:** **\*\* Jan. 27, 2015**

(54) **LID**  
(76) Inventors: **Cathy L. Rudisill**, Greer, SC (US); **L. Edwin Rudisill**, Greer, SC (US)  
(\*\*) Term: **14 Years**  
(21) Appl. No.: **29/431,657**  
(22) Filed: **Sep. 10, 2012**  
(51) **LOC (10) Cl.** ..... **07-01**  
(52) **U.S. Cl.**  
USPC ..... **D7/396.2**  
(58) **Field of Classification Search**  
CPC ..... B65D 2543/00046; B65D 2534/00092;  
B65D 77/283  
USPC ..... D7/300, 300.2, 391, 392, 392.1, 396.1,  
D7/397, 398, 500, 507, 509, 510, 511, 514,  
D7/516; D9/434, 435, 436, 440-443, 447,  
D9/450-452, 454, 520, 668, 682; D34/4;  
215/200, 217, 222, 223, 229, 235, 236,  
215/252, 254, 329, 238, 243, 305, 316-323,  
215/355-364; 222/553, 566, 568, 570  
See application file for complete search history.

D475,295 S \* 6/2003 Love ..... D9/451  
D650,275 S \* 12/2011 Dunwoody ..... D9/435  
D670,960 S \* 11/2012 Rudisill, Jr. .... D7/392.1  
D670,961 S \* 11/2012 Rudisill, Jr. .... D7/392.1  
D670,962 S \* 11/2012 Rudisill, Jr. .... D7/392.1  
D670,964 S \* 11/2012 Rudisill ..... D7/392.1  
D677,980 S \* 3/2013 Levin ..... D7/392

\* cited by examiner

*Primary Examiner* — Robert M Spear  
*Assistant Examiner* — Marissa J Cash  
(74) *Attorney, Agent, or Firm* — Sara C. Kanos; Nexsen Pruet, LLC

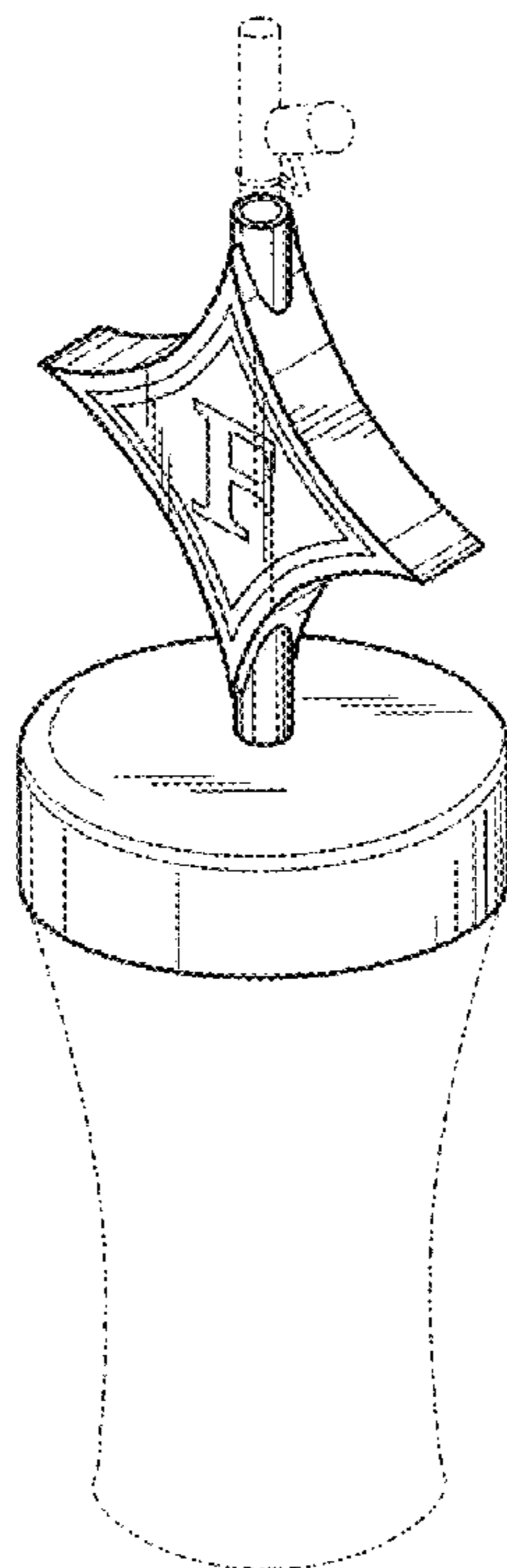
(57) **CLAIM**  
We claim the ornamental design for a lid, as described.

**DESCRIPTION**

FIG. 1 is a front right perspective of a lid showing our new design;  
FIG. 2 is a rear left perspective thereof;  
FIG. 3 is a front elevation view thereof;  
FIG. 4 is a rear elevation view thereof;  
FIG. 5 is a right side elevation view thereof;  
FIG. 6 is a left side elevation view thereof;  
FIG. 7 is a top view thereof; and,  
FIG. 8 is a bottom view thereof.  
The "F" diamond logo forming part of the claimed design is a registered trademark of the Furman University.  
The broken lines in the drawings represent unclaimed environmental subject matter and form no part of the claim.

**1 Claim, 7 Drawing Sheets**

(56) **References Cited**  
U.S. PATENT DOCUMENTS  
2,546,122 A \* 3/1951 Goldfarb ..... 446/72  
D262,083 S \* 12/1981 Adamo ..... D7/392.1  
D288,064 S \* 2/1987 Gager ..... D9/436  
D424,376 S \* 5/2000 Malusek ..... D7/511  
D448,971 S \* 10/2001 Hughes ..... D7/392.1  
D471,060 S \* 3/2003 Salsman ..... D7/392.1



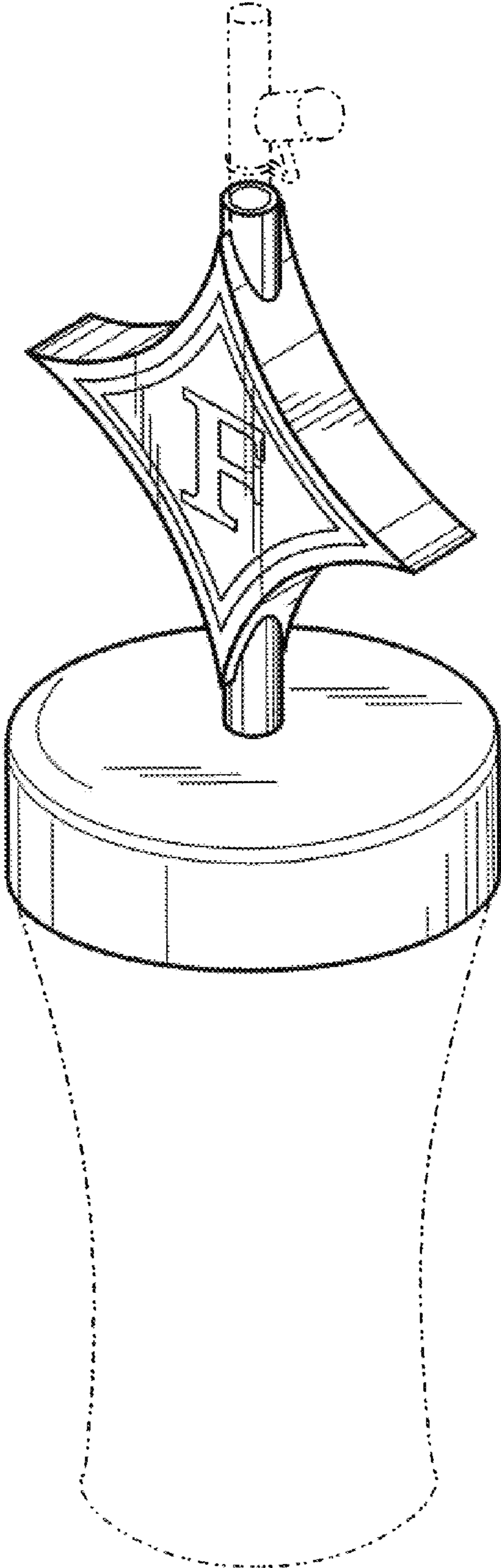


Fig. 1

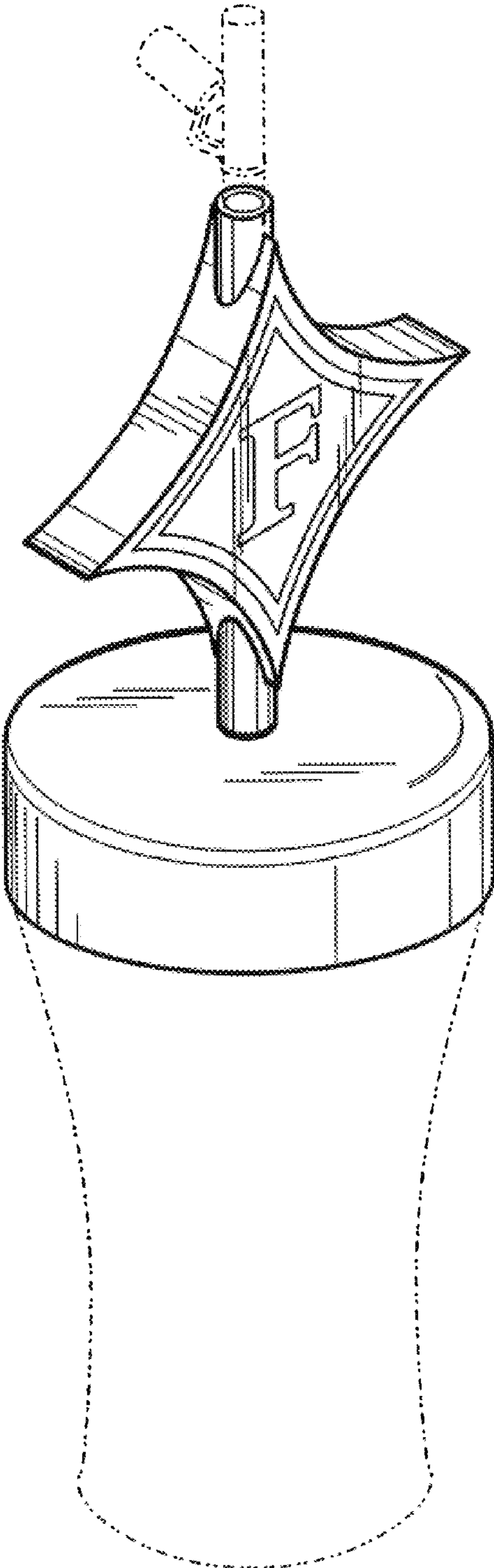


Fig. 2

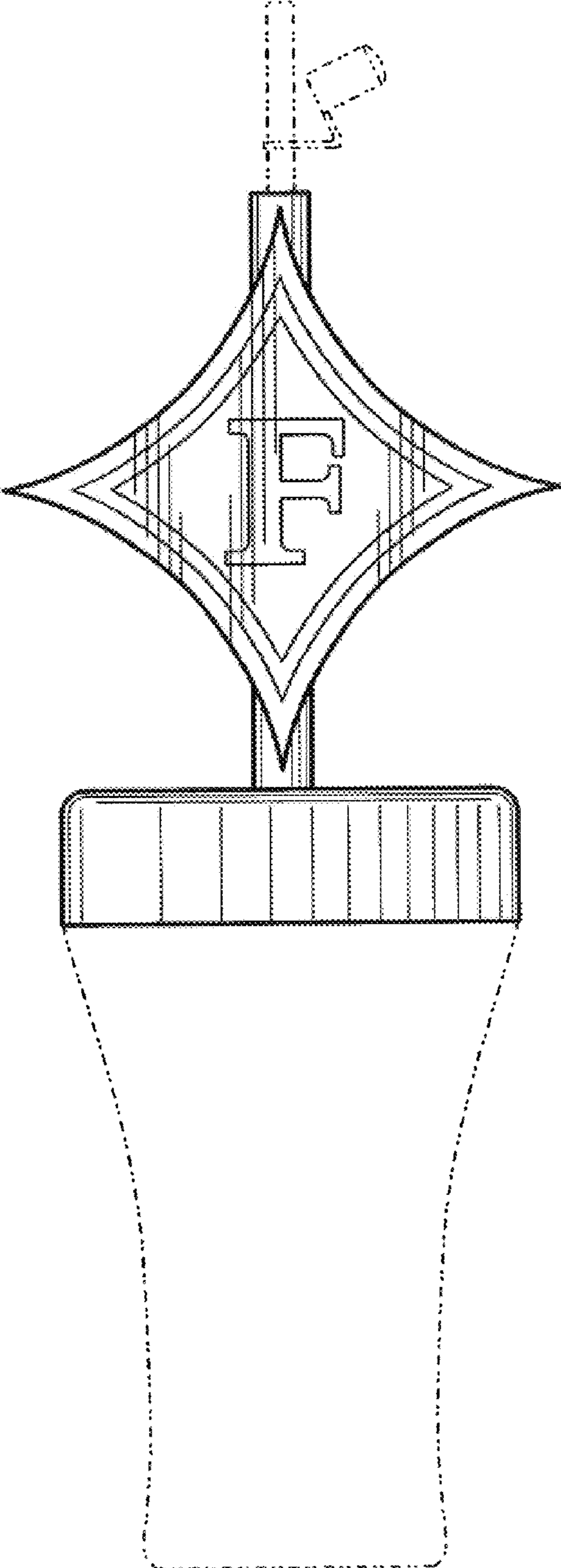


Fig. 3

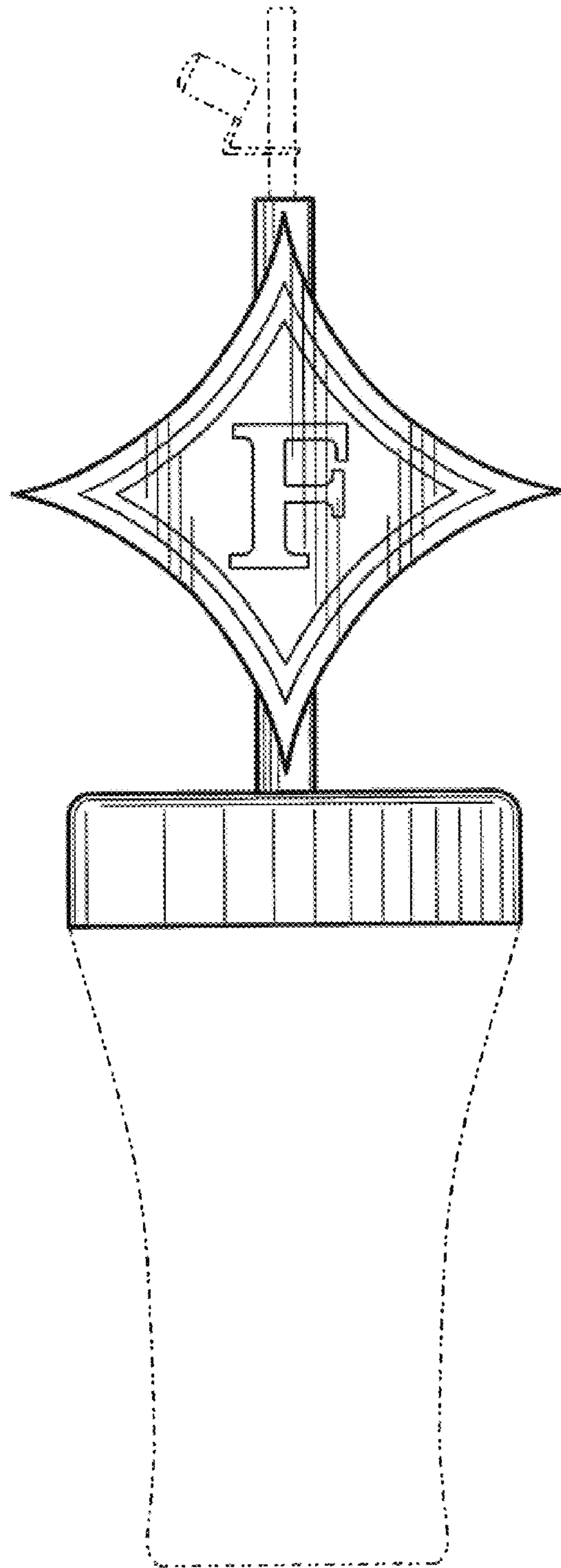


Fig. 4

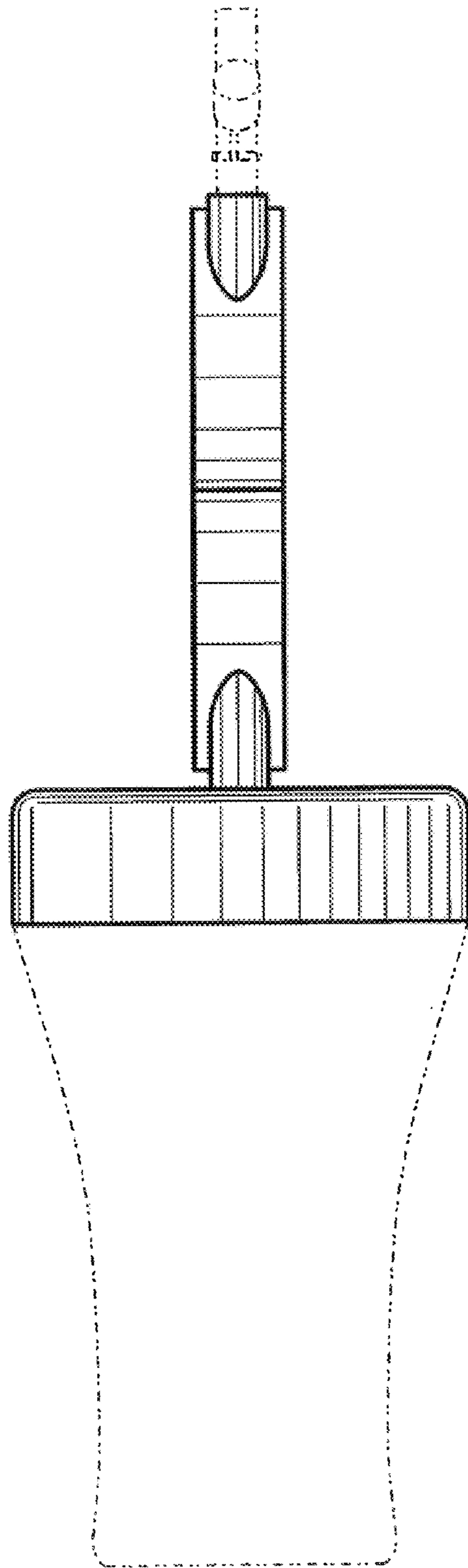


Fig. 5

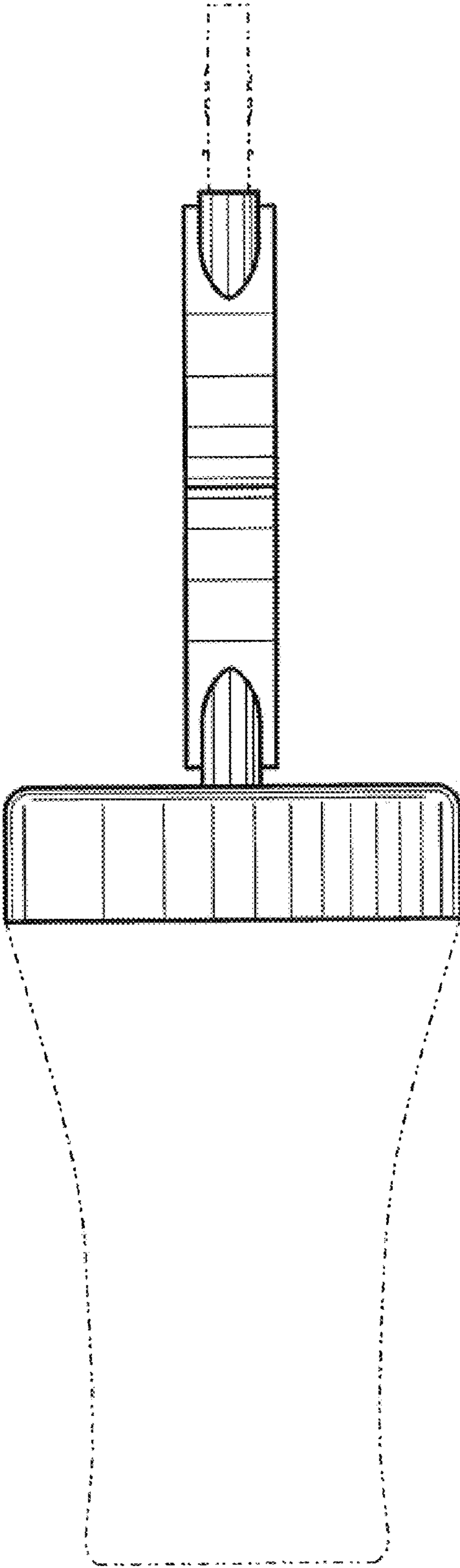


Fig. 6

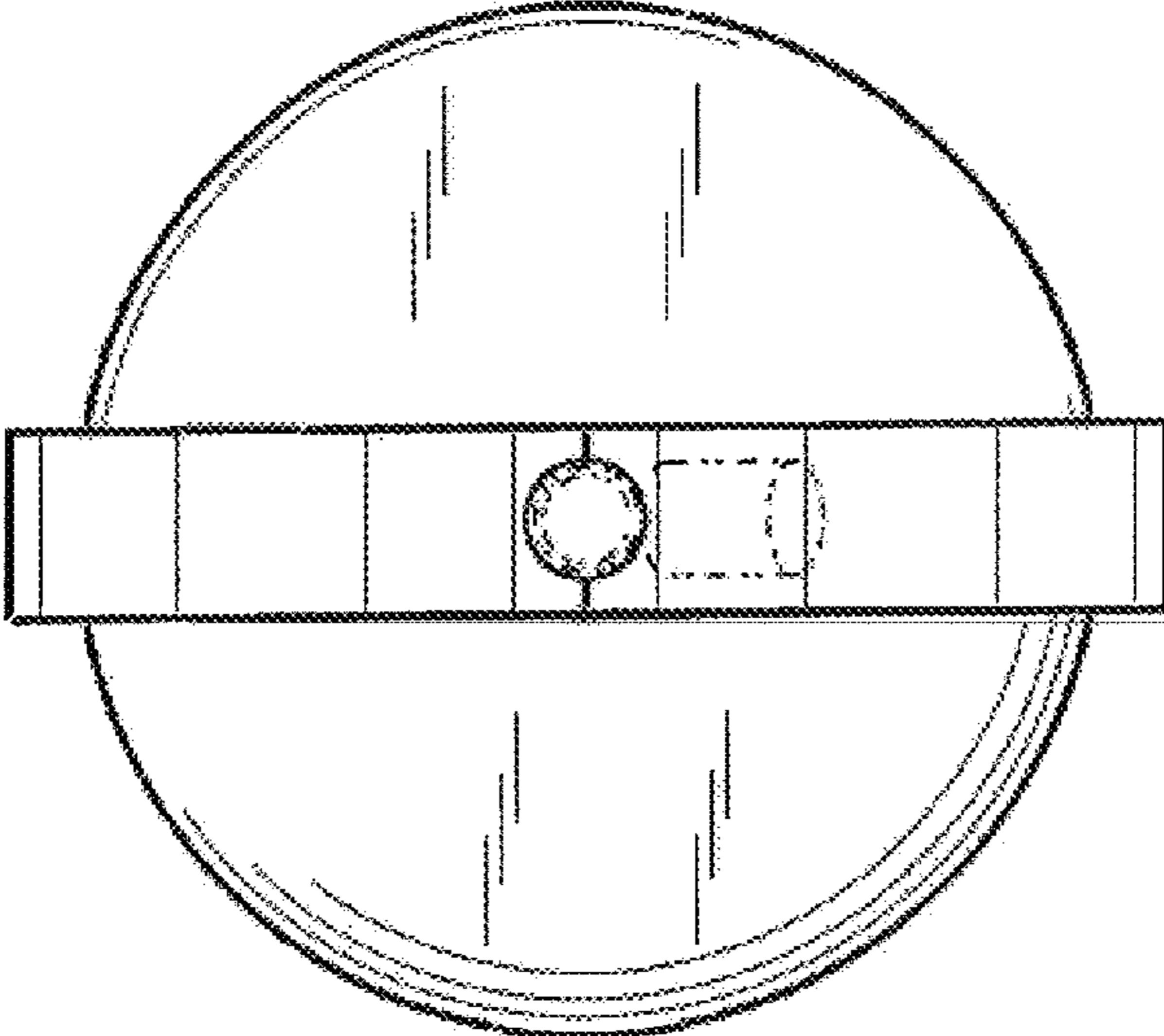


Fig. 7

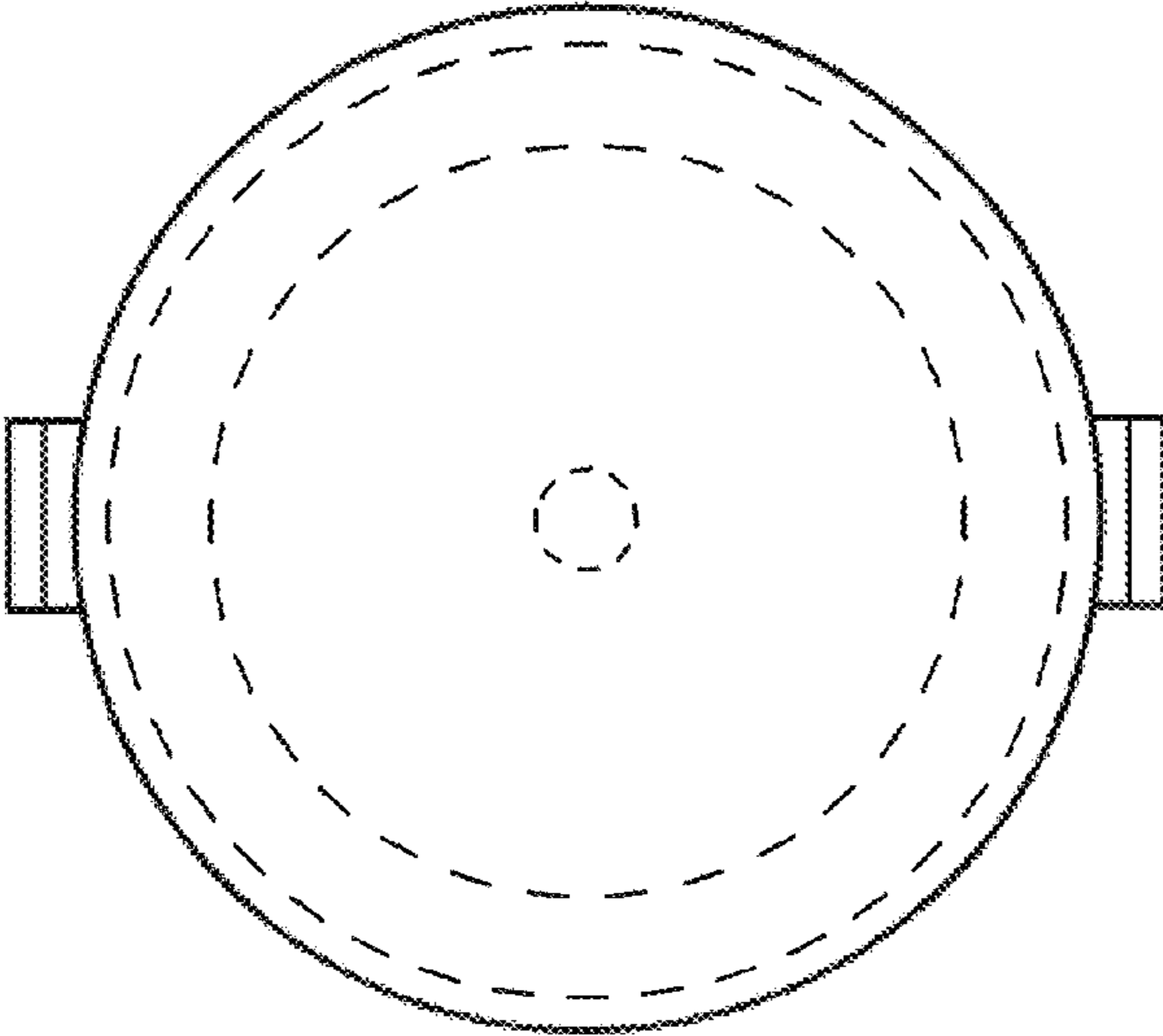


Fig. 8