



US00D721533S

(12) **United States Design Patent**
Coco

(10) **Patent No.:** **US D721,533 S**
(45) **Date of Patent:** **** Jan. 27, 2015**

(54) **COMBINED COOKING OIL STORAGE AND FILTRATION SYSTEM**

(71) Applicant: **Sal Coco**, Corona, CA (US)

(72) Inventor: **Sal Coco**, Corona, CA (US)

(73) Assignee: **Sal Coco**, Corona, CA (US)

(**) Term: **14 Years**

(21) Appl. No.: **29/443,603**

(22) Filed: **Jan. 18, 2013**

(51) **LOC (10) Cl.** **07-99**

(52) **U.S. Cl.**
USPC **D7/368**

(58) **Field of Classification Search**
CPC B01D 39/2055; A47J 37/1285; A47J 37/1223
USPC D7/368, 601, 629, 354; 99/408, 330, 99/446; 210/167, 167.28, 474, 469, 799, 210/669, 244, 804, 923, 671, 259, 456
See application file for complete search history.

(56) **References Cited**

U.S. PATENT DOCUMENTS

4,555,339	A *	11/1985	Graves et al.	210/244
5,030,357	A *	7/1991	Lowe	210/669
6,126,018	A *	10/2000	Cone et al.	210/469
6,355,168	B1 *	3/2002	White	210/236
7,137,419	B1 *	11/2006	Reeves	99/446

8,016,150	B1 *	9/2011	Bunch et al.	99/446
2004/0177767	A1 *	9/2004	Kijimoto	99/330
2013/0098847	A1 *	4/2013	Lambert et al.	99/408
2013/0156910	A1 *	6/2013	Clayson	99/408

* cited by examiner

Primary Examiner — Terry Wallace

(74) *Attorney, Agent, or Firm* — Knobbe Martens Olson & Bear LLP

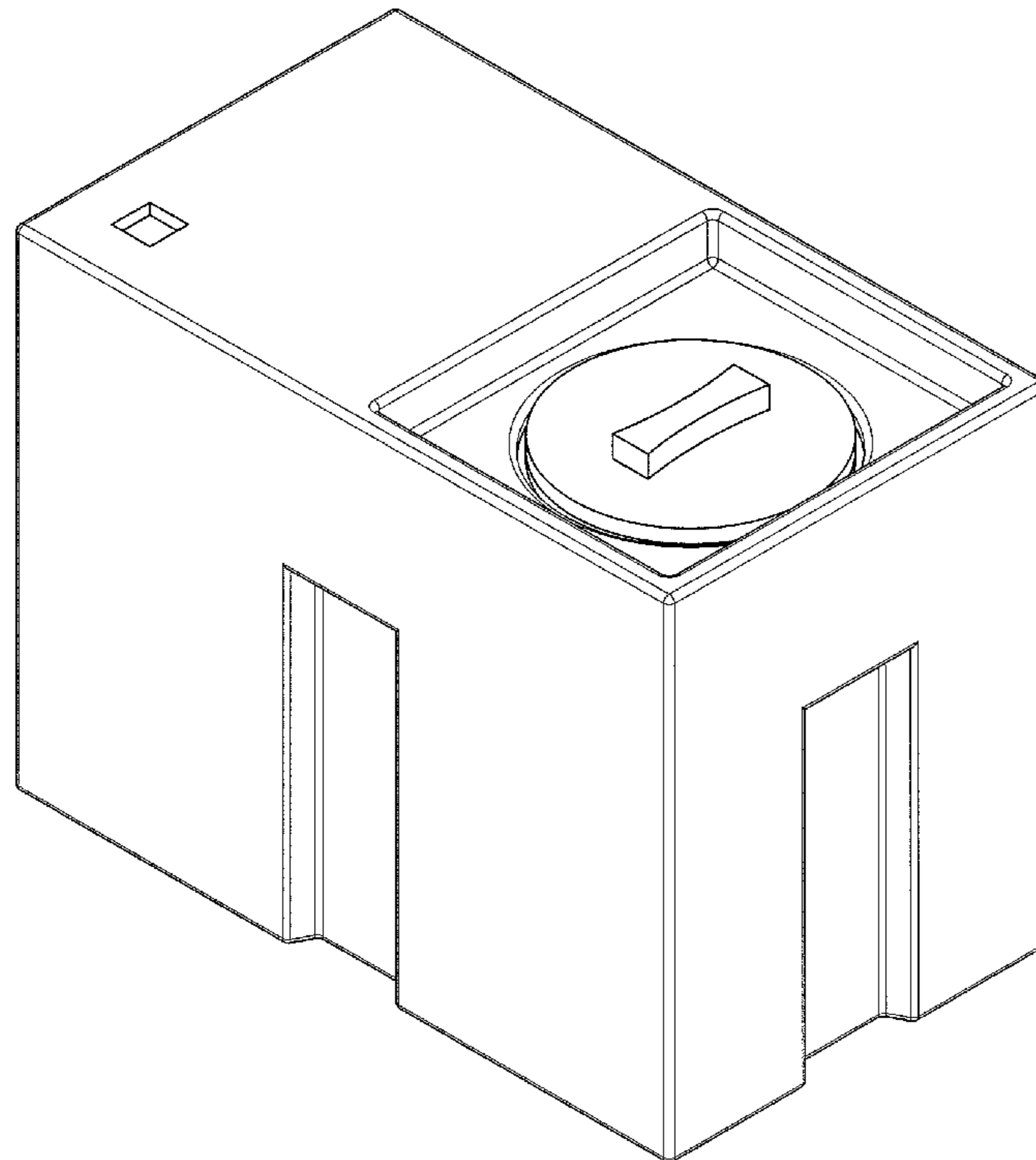
(57) **CLAIM**

The ornamental design for a combined cooking oil storage and filtration system, as shown and described.

DESCRIPTION

FIG. 1 is a first perspective view of a grease container of the present invention;
FIG. 2 is a second perspective view of the grease container of the present invention;
FIG. 3 is a front view of the grease container of FIGS. 1 and 2;
FIG. 4 is a back view of the grease container of FIGS. 1 and 2;
FIG. 5 is a side view of the grease container of FIGS. 1 and 2 showing the first and second sides;
FIG. 6 is a top view of the grease container of FIGS. 1 and 2; and,
FIG. 7 is a bottom view of the grease container of FIGS. 1 and 2.

1 Claim, 5 Drawing Sheets



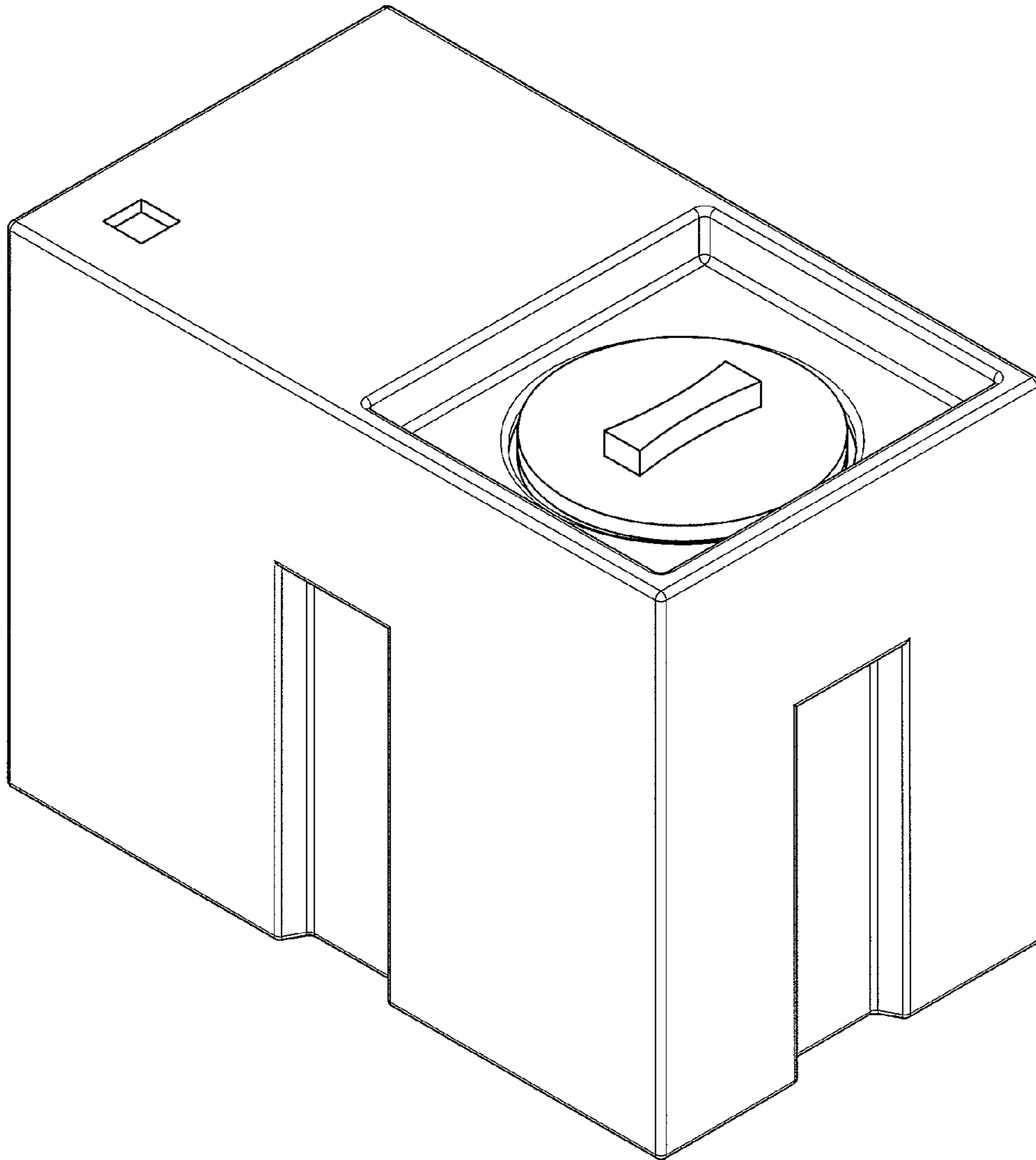


FIG. 1

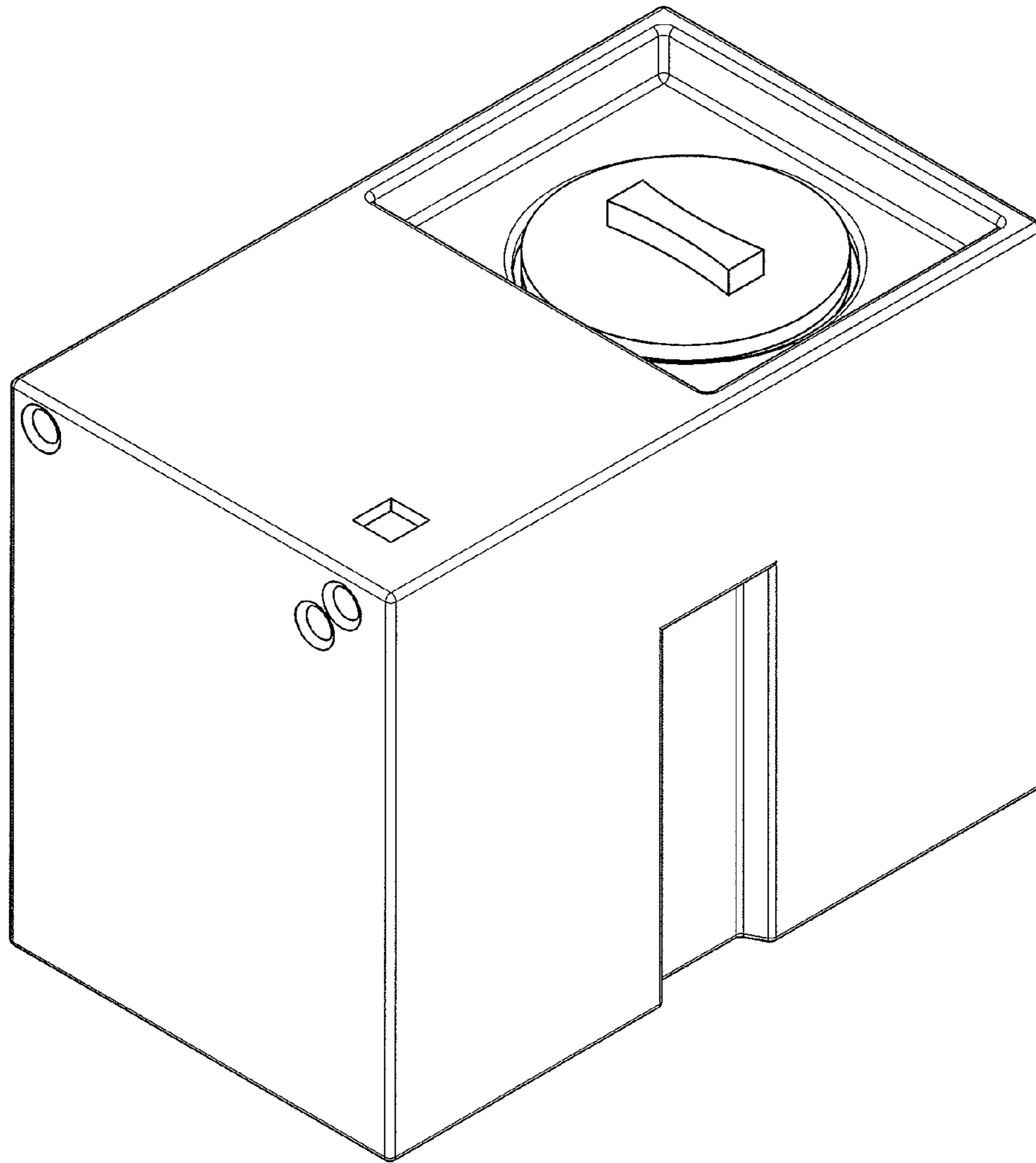


FIG. 2

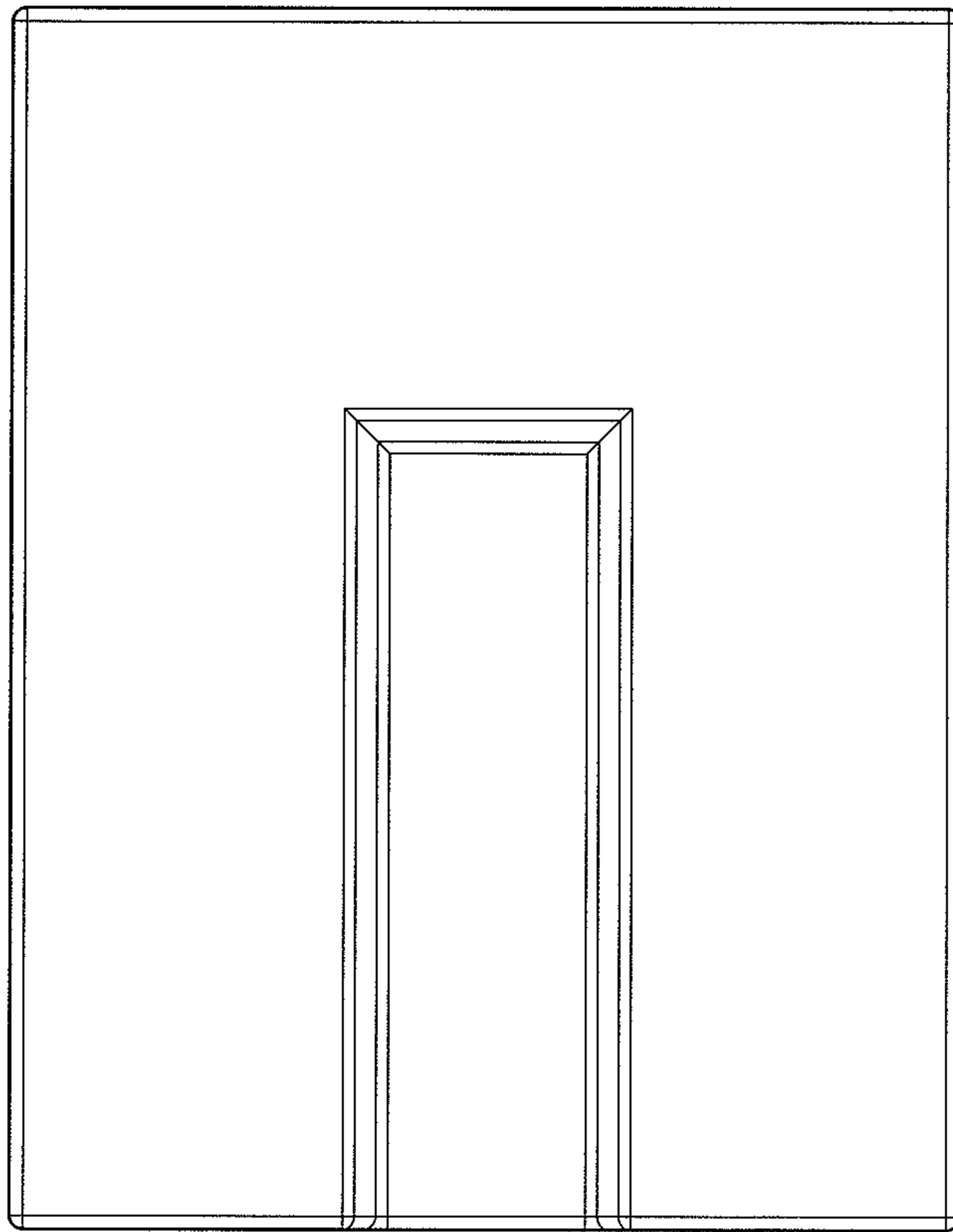


FIG. 3

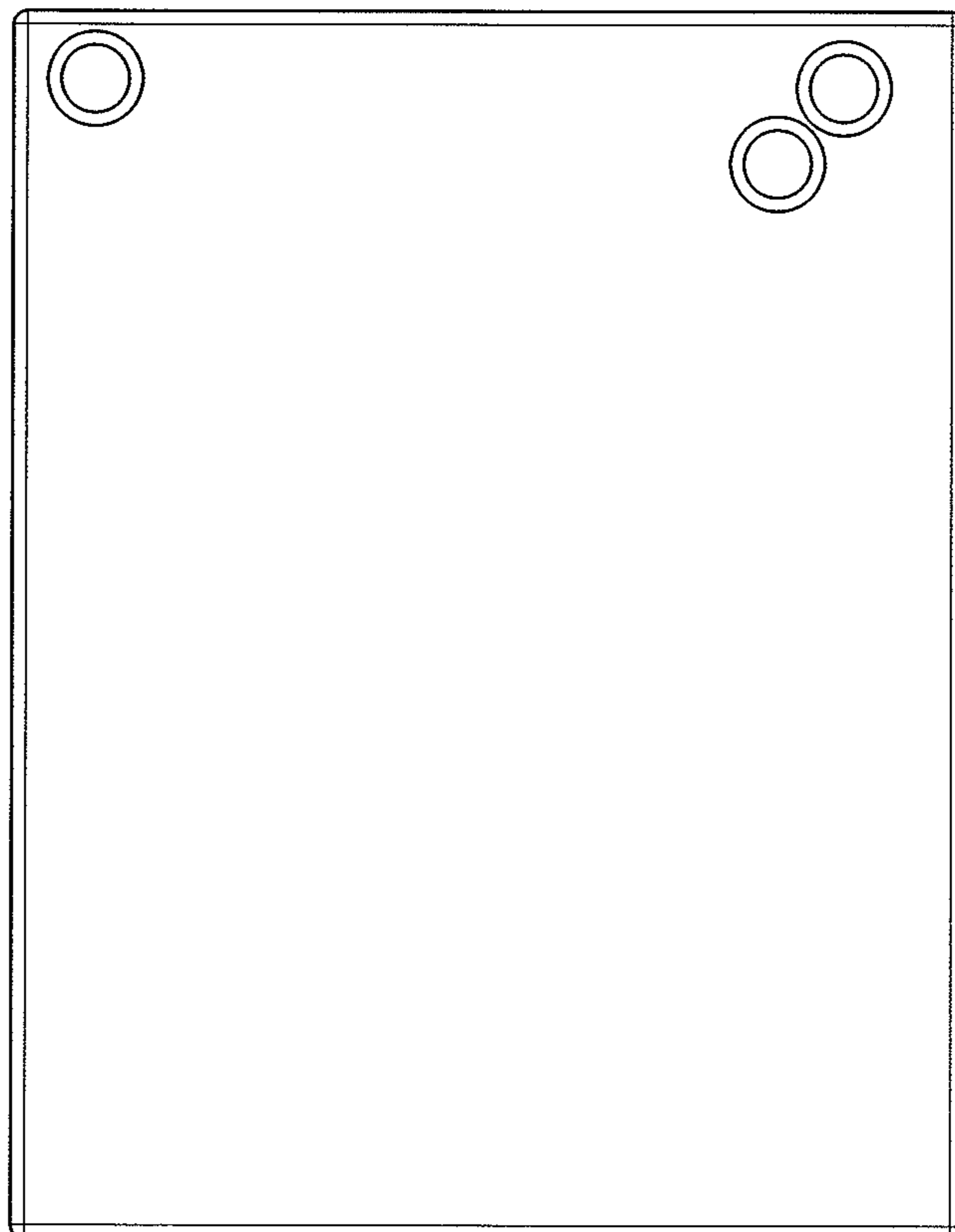


FIG. 4

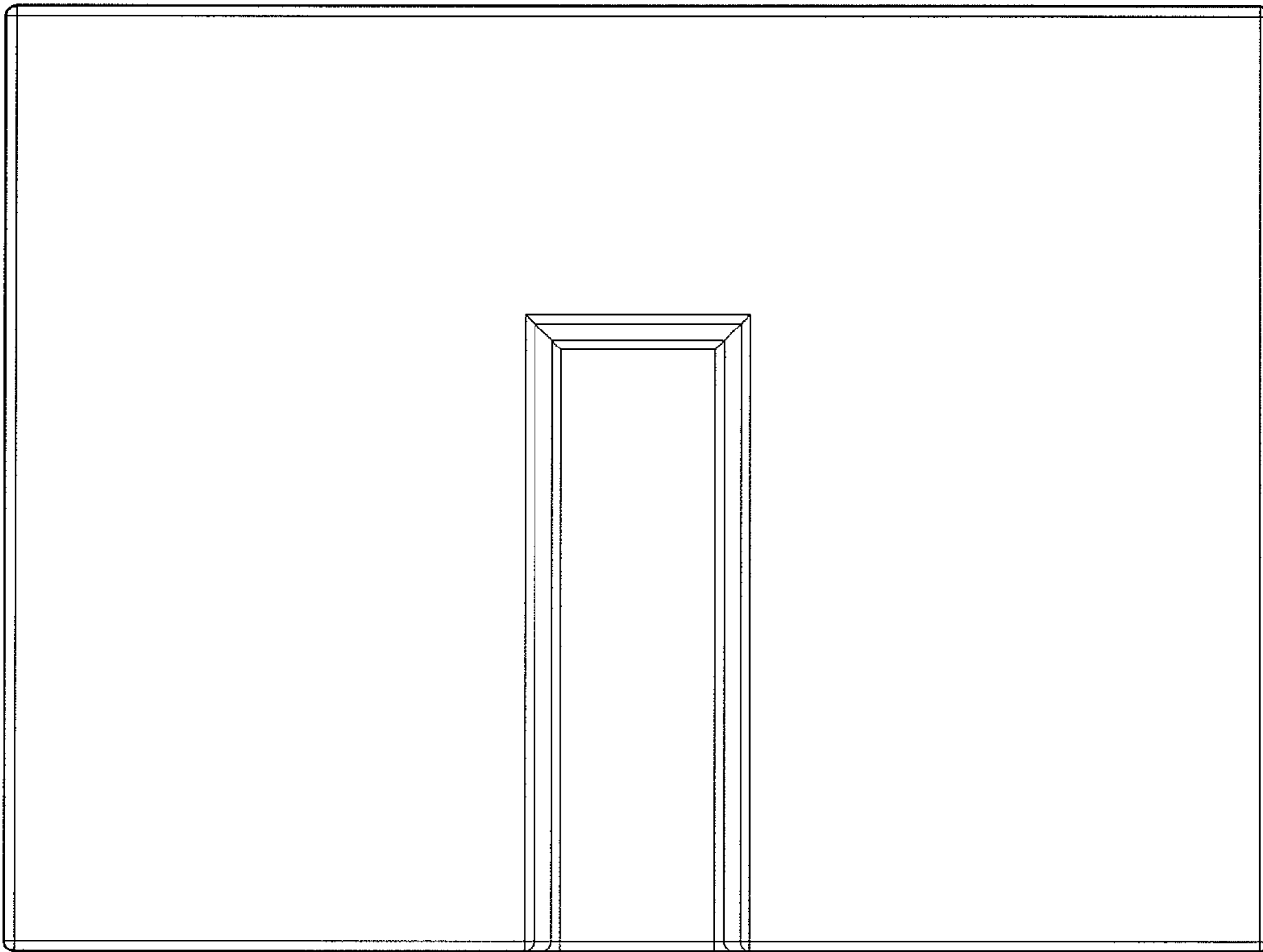


FIG. 5

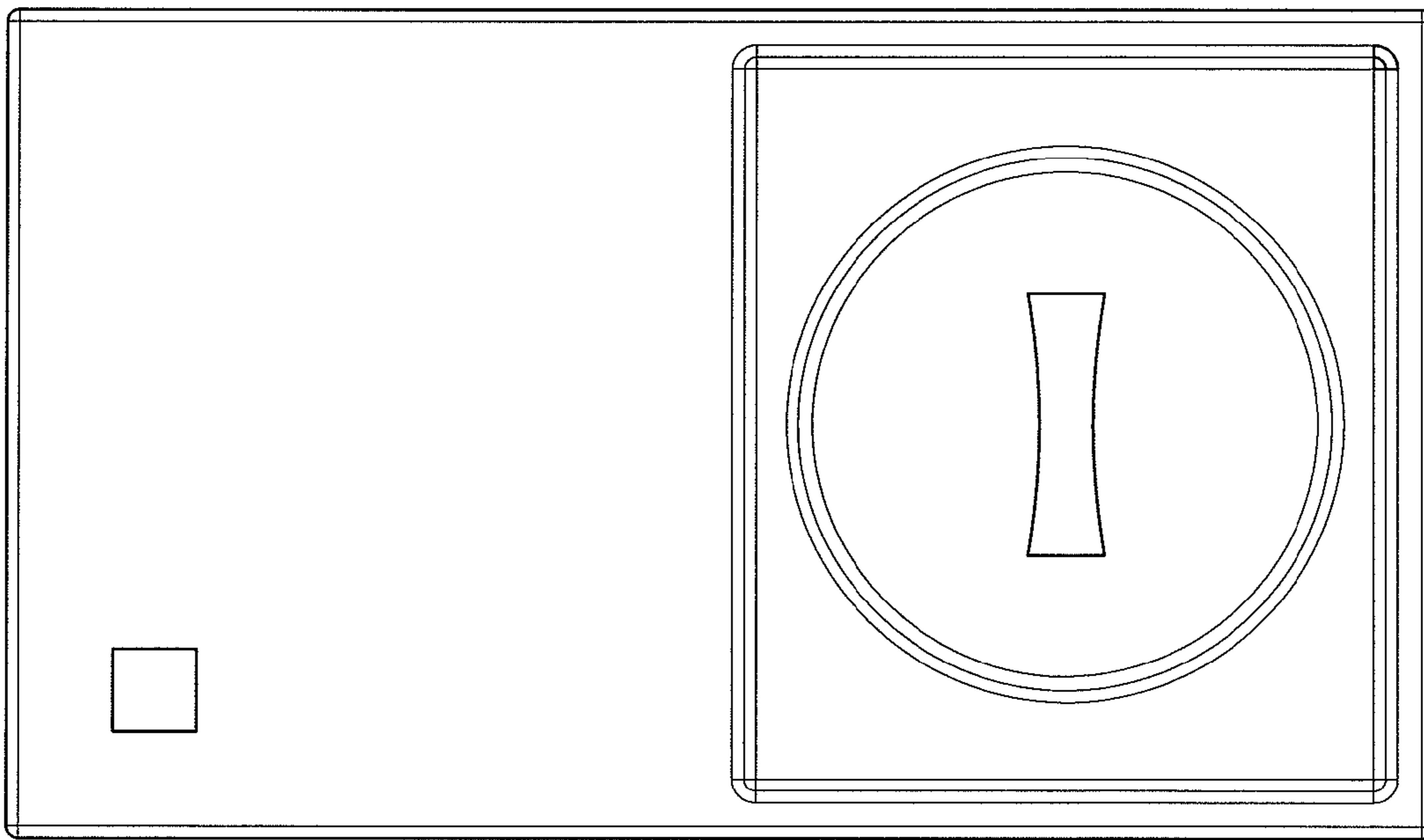


FIG. 6

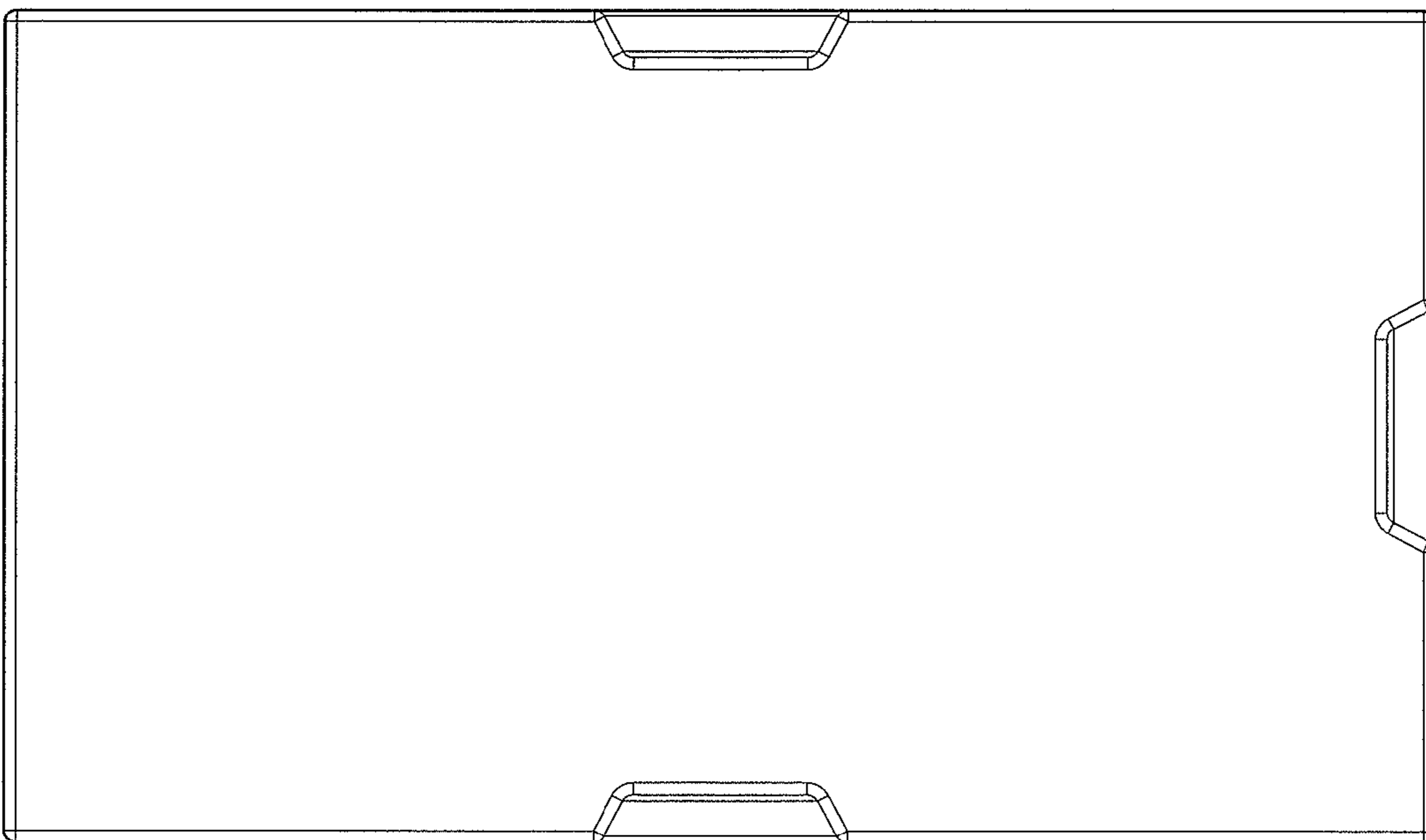


FIG. 7