



US00D721532S

(12) **United States Design Patent**  
**Burrows**

(10) **Patent No.:** **US D721,532 S**  
(45) **Date of Patent:** **\*\* Jan. 27, 2015**

- (54) **TOASTER**
- (71) Applicant: **Bruce D. Burrows**, Valencia, CA (US)
- (72) Inventor: **Bruce D. Burrows**, Valencia, CA (US)
- (73) Assignee: **Remington Designs, LLC**, Valencia, CA (US)
- (\*\*) Term: **14 Years**
- (21) Appl. No.: **29/480,528**
- (22) Filed: **Jan. 27, 2014**
- (51) **LOC (10) Cl.** ..... **07-02**
- (52) **U.S. Cl.**  
USPC ..... **D7/330**
- (58) **Field of Classification Search**  
CPC ..... A21B 2/00; A47J 37/00; A47J 37/06;  
A47J 37/0611; A47J 37/08; A47J 37/0807;  
A47J 37/0814; A47J 37/0835; A47J 37/0842;  
A47J 37/085; A47J 37/0864; A47J 37/0878;  
A47J 37/0885; A47J 37/0892; F24C 15/10;  
F24C 15/102  
USPC ..... D7/323, 328-330, 350.4, 390;  
99/326-327, 331-332, 357, 372, 375,  
99/385-402; 219/388, 405, 450.1, 532  
See application file for complete search history.

- D383,352 S \* 9/1997 Powel ..... D7/330
- D401,472 S \* 11/1998 Gould ..... D7/330
- D413,040 S \* 8/1999 Lawrence et al. .... D7/350.4
- D461,088 S \* 8/2002 Cheah et al. .... D7/330
- D461,089 S \* 8/2002 Cheah et al. .... D7/330
- D476,844 S \* 7/2003 Hsu ..... D7/350.4
- D489,220 S \* 5/2004 Brady ..... D7/330
- D489,565 S \* 5/2004 Averty ..... D7/330
- D524,088 S \* 7/2006 Boyle et al. .... D7/330
- D528,348 S \* 9/2006 Averty ..... D7/330
- D661,940 S \* 6/2012 Averty ..... D7/330

\* cited by examiner

*Primary Examiner* — Ricky Pham

(74) *Attorney, Agent, or Firm* — Lowry Blixseth LLP; Scott M. Lowry

(57) **CLAIM**

The ornamental design for a toaster, as shown and described.

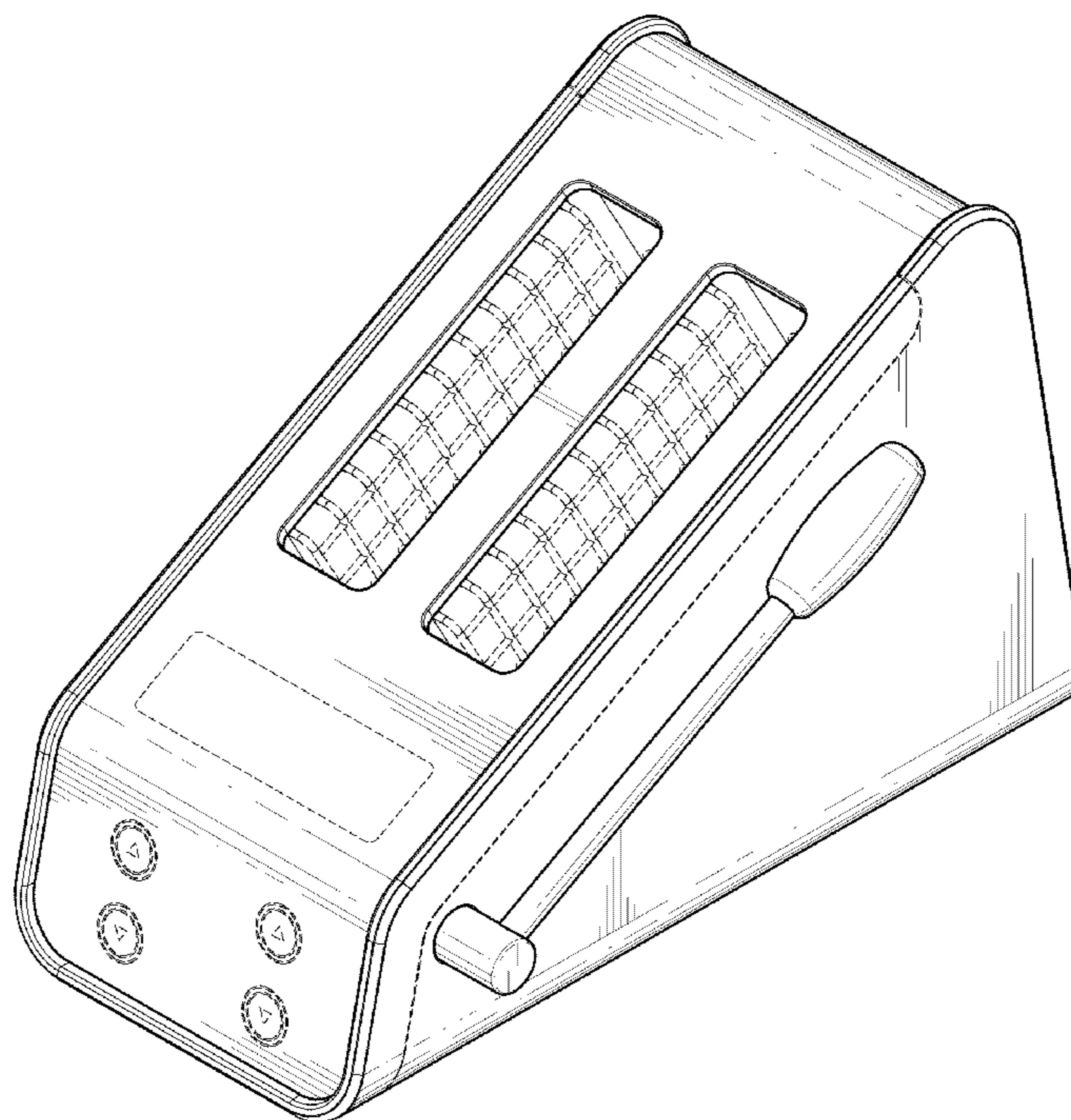
**DESCRIPTION**

FIG. 1 is a perspective view showing the front, top and right sides of the toaster;  
 FIG. 2 is an elevation view showing the front and top sides of the toaster;  
 FIG. 3 is a right side elevation view of the toaster;  
 FIG. 4 is a left side elevation view of the toaster;  
 FIG. 5 is a rear elevation view of the toaster;  
 FIG. 6 is a top plan view of the toaster; and,  
 FIG. 7 is a bottom plan view of the toaster.  
 The broken lines shown in the drawings are for illustrative purposes only and form no part of the claimed design.

(56) **References Cited**  
U.S. PATENT DOCUMENTS

- D142,037 S \* 8/1945 Page ..... D7/328
- D304,147 S \* 10/1989 Takada et al. .... D7/350.4

**1 Claim, 7 Drawing Sheets**



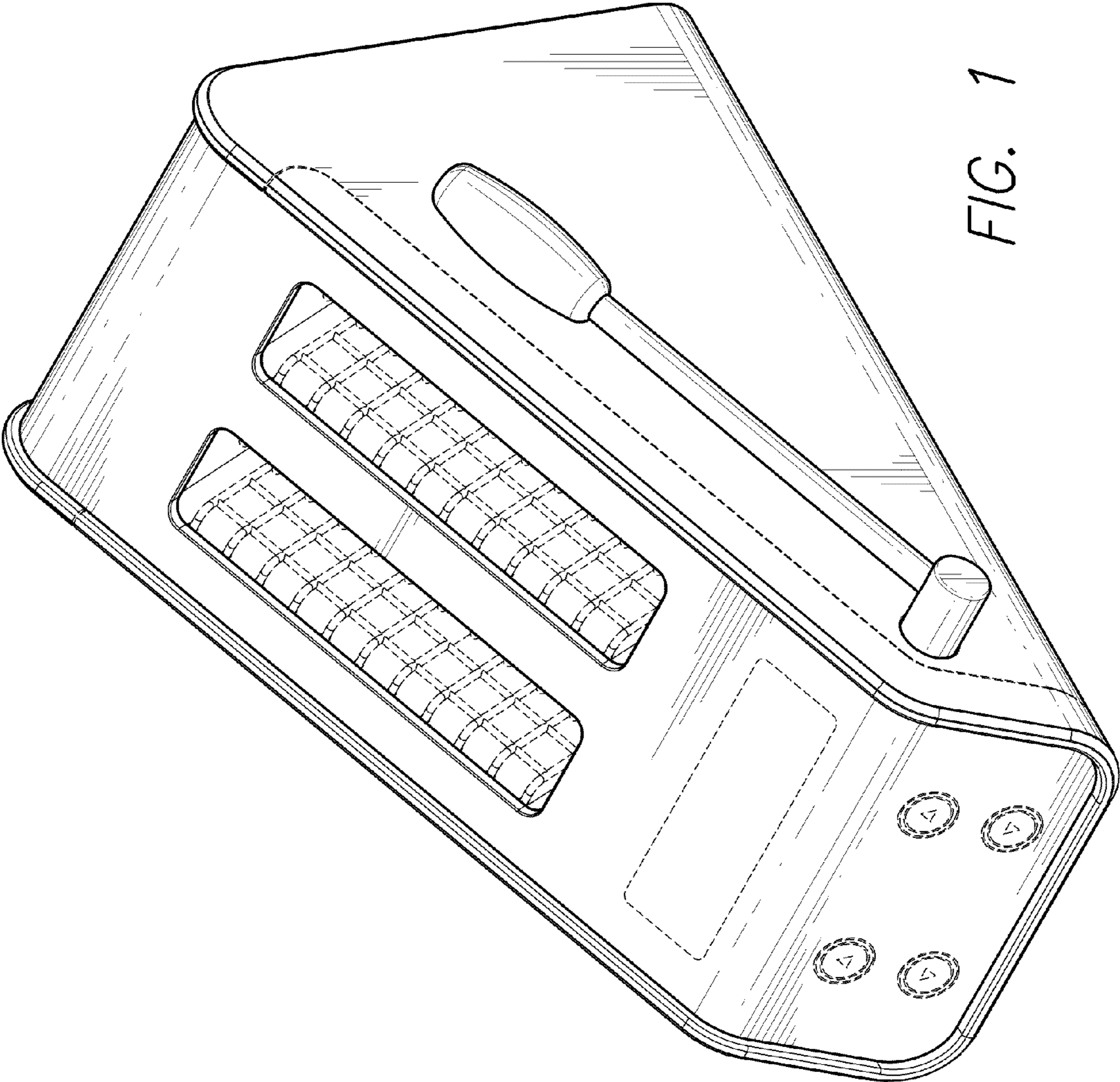


FIG. 1

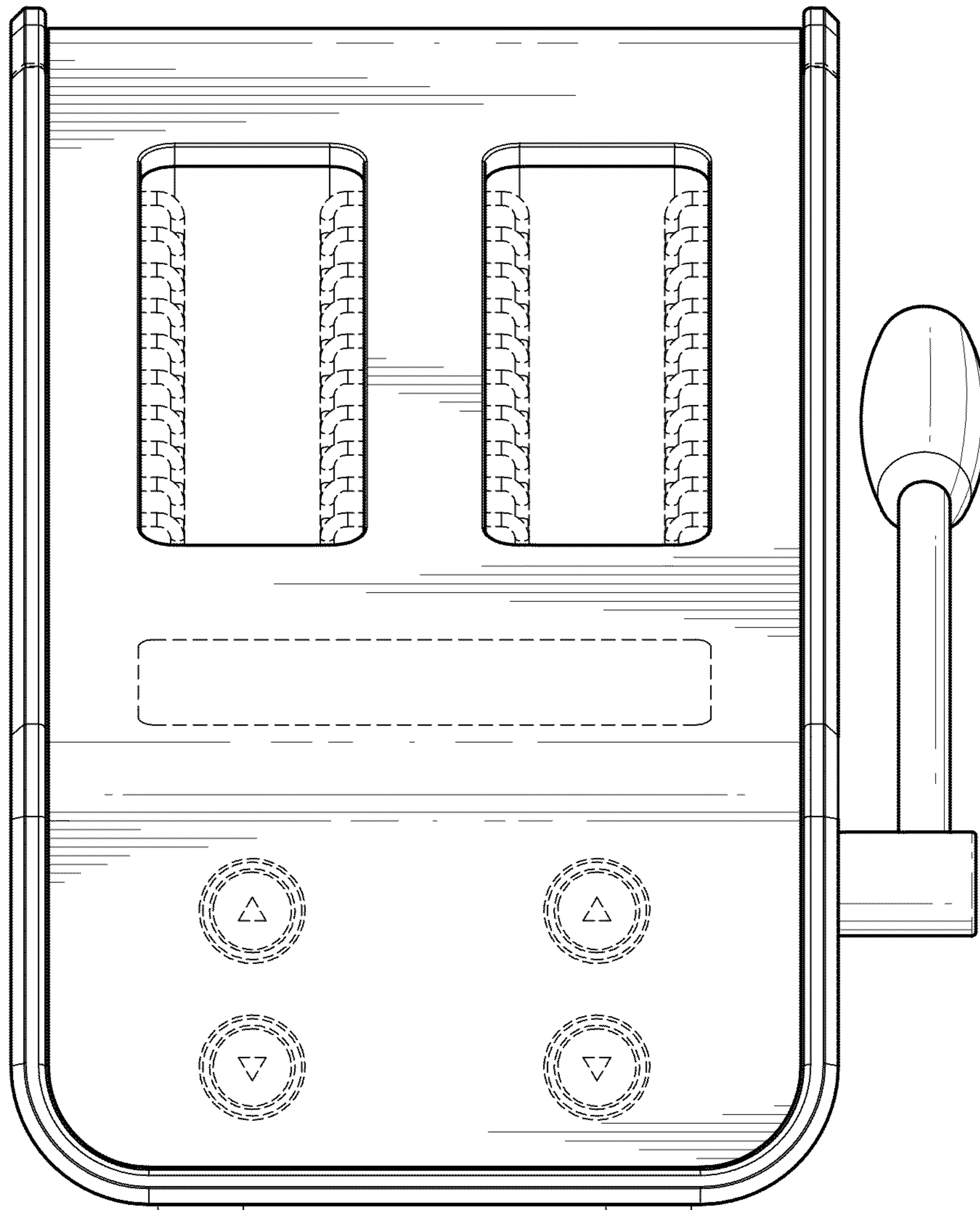


FIG. 2

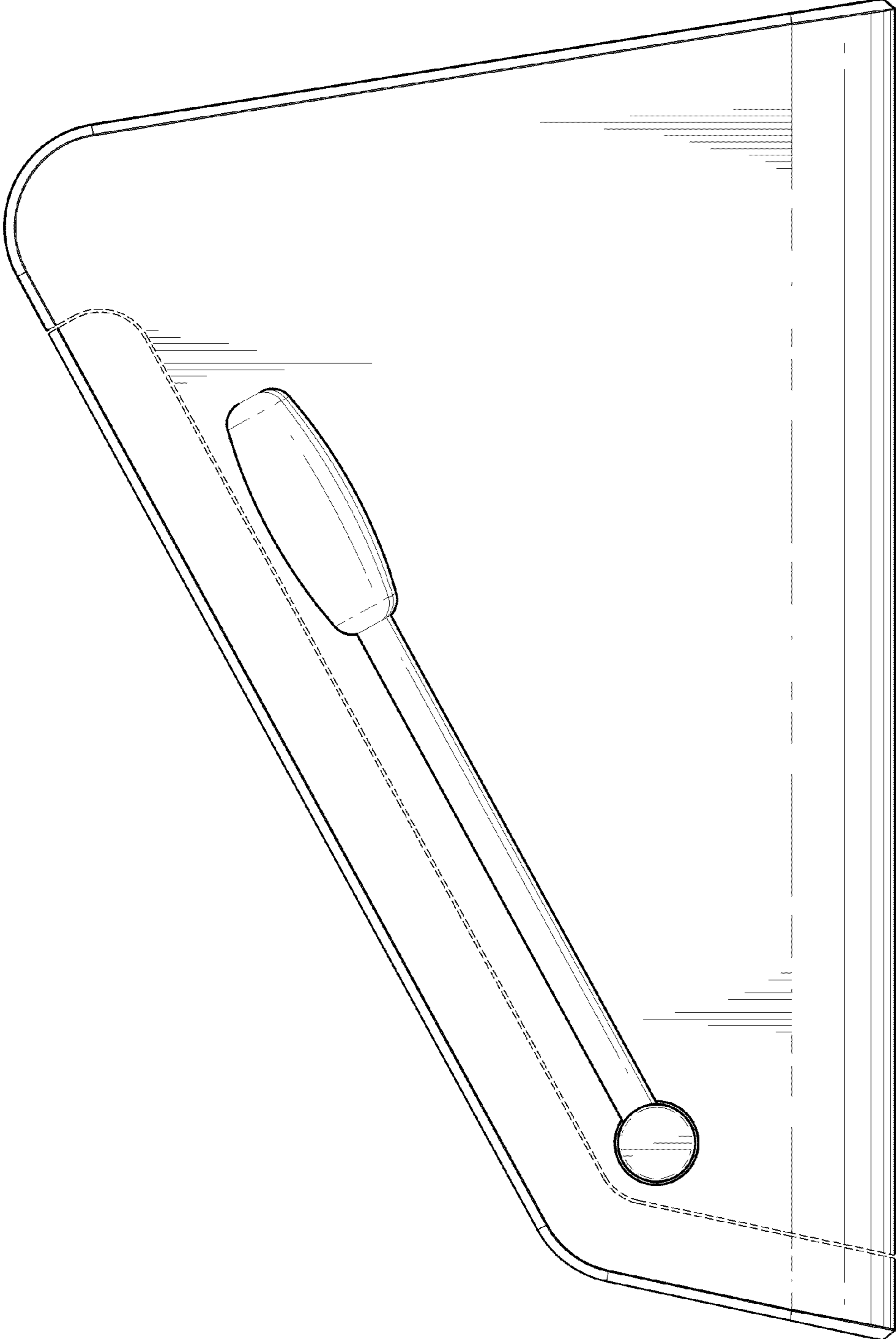


FIG. 3

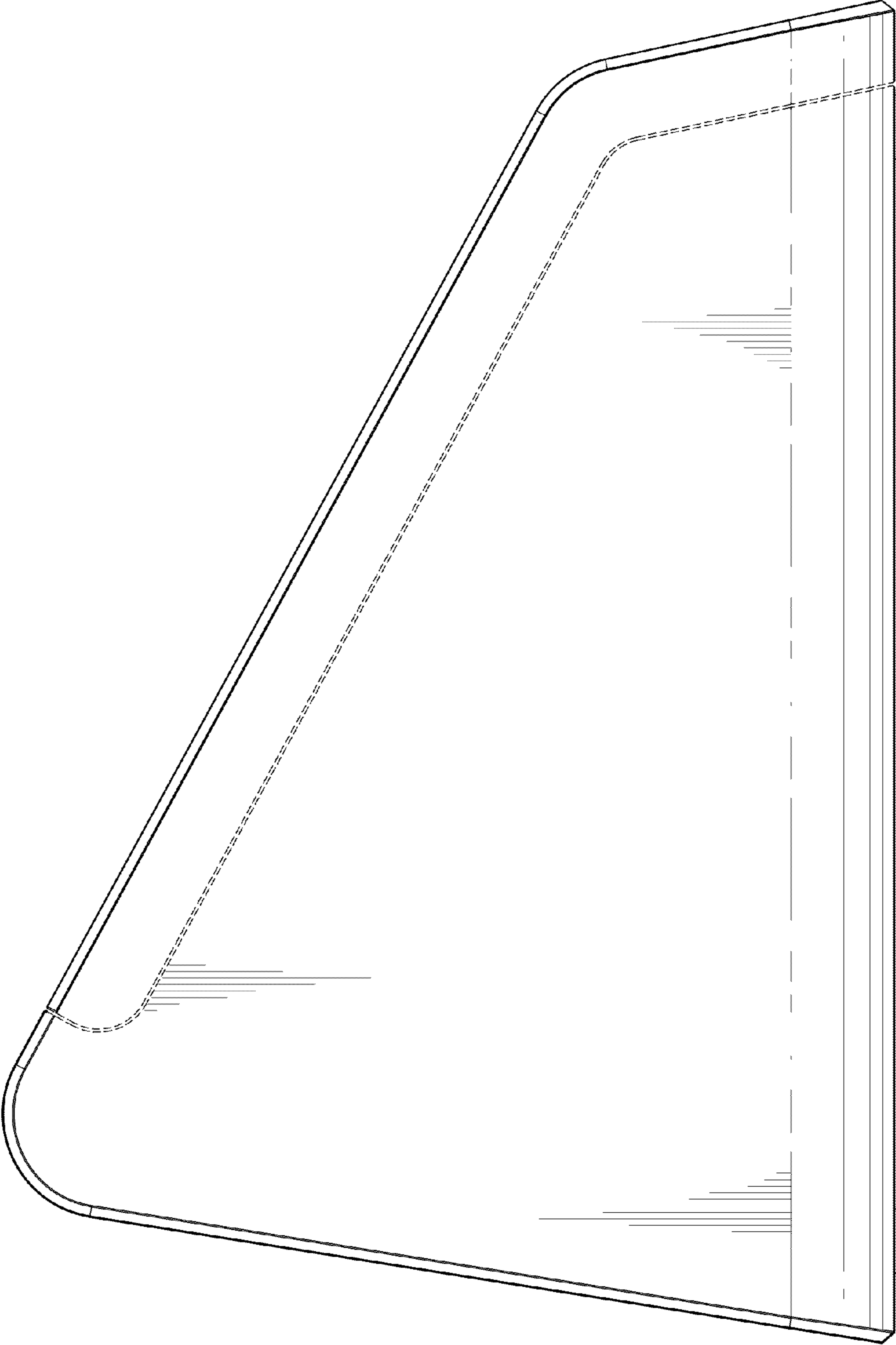


FIG. 4

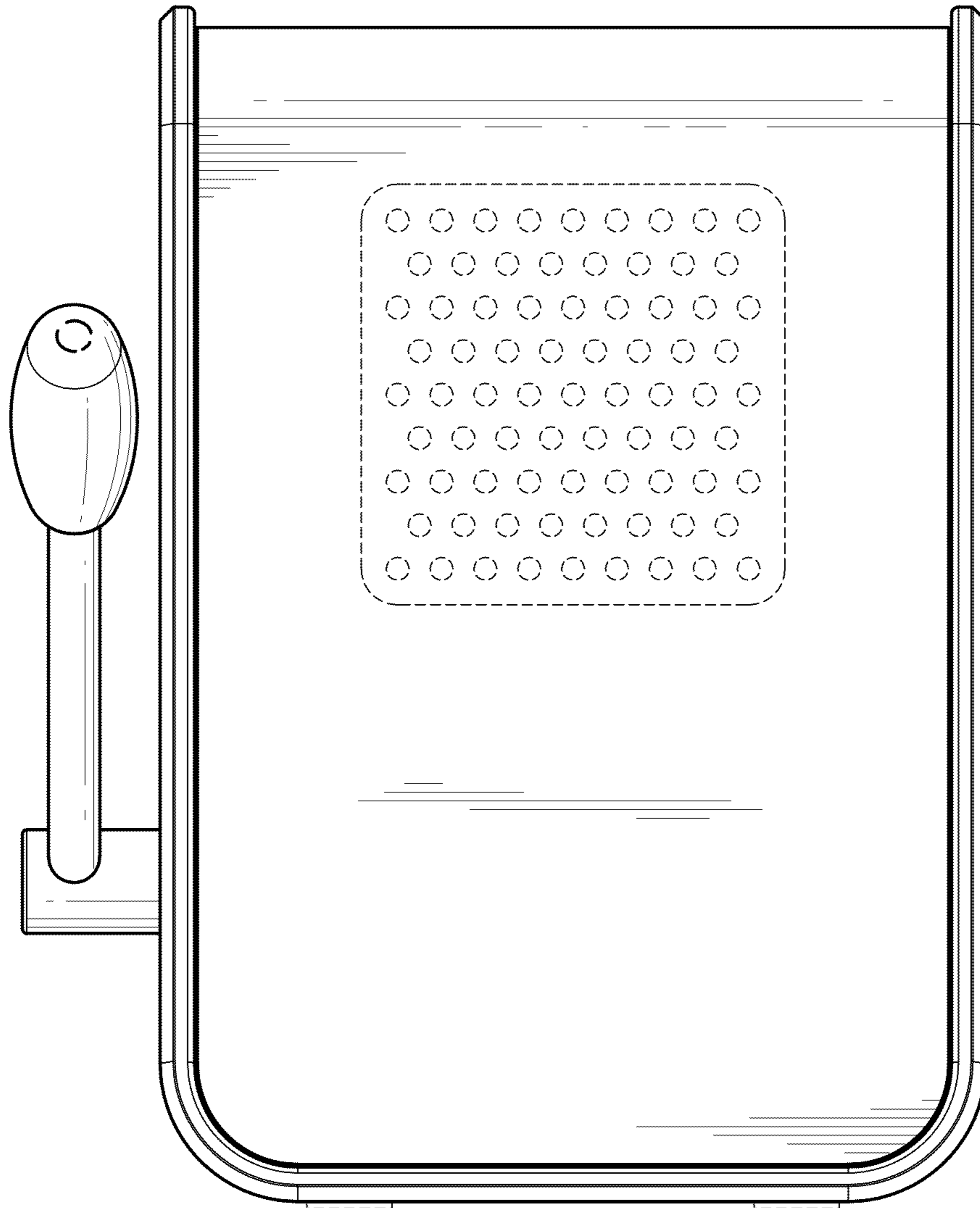


FIG. 5

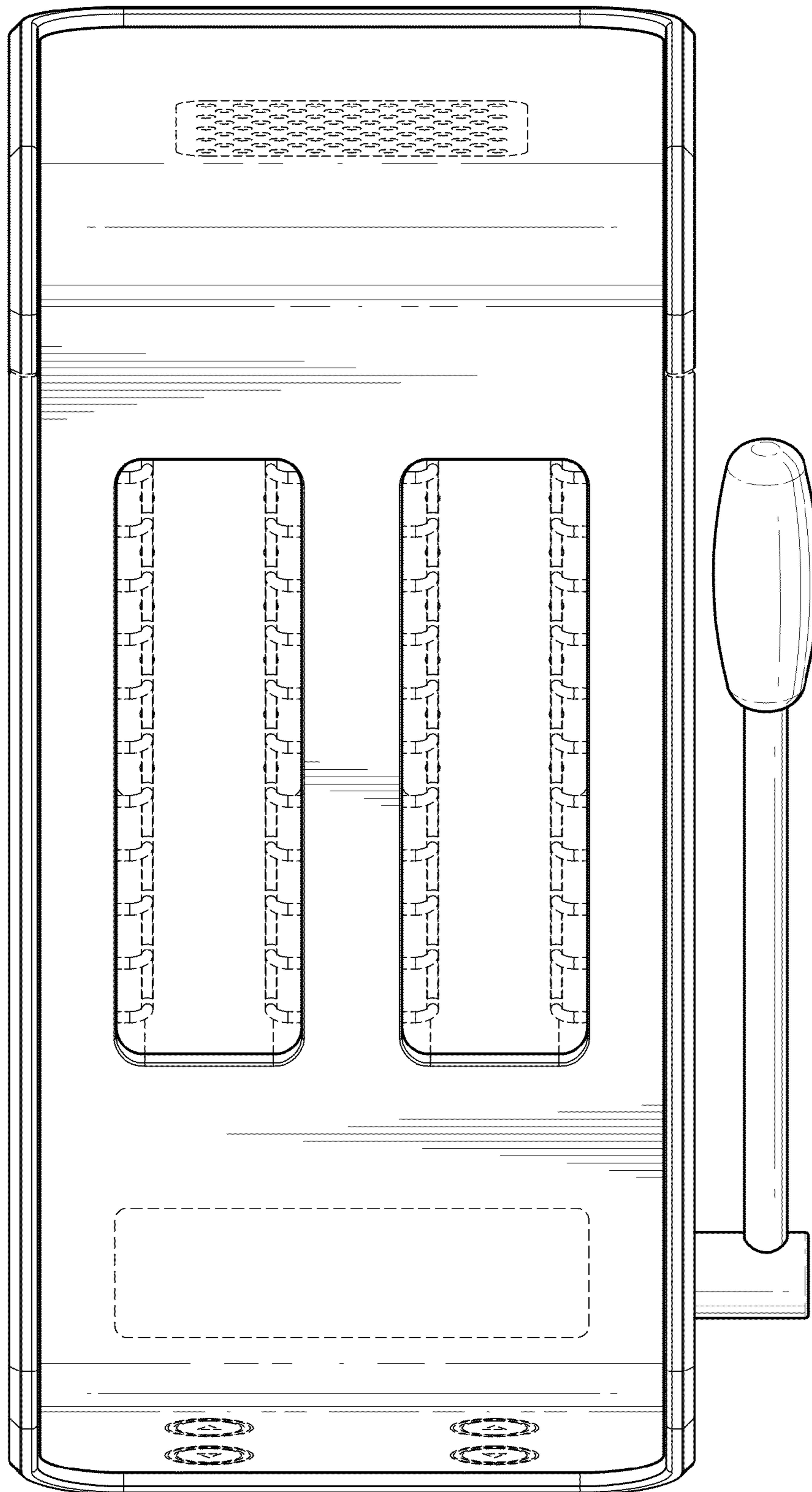


FIG. 6

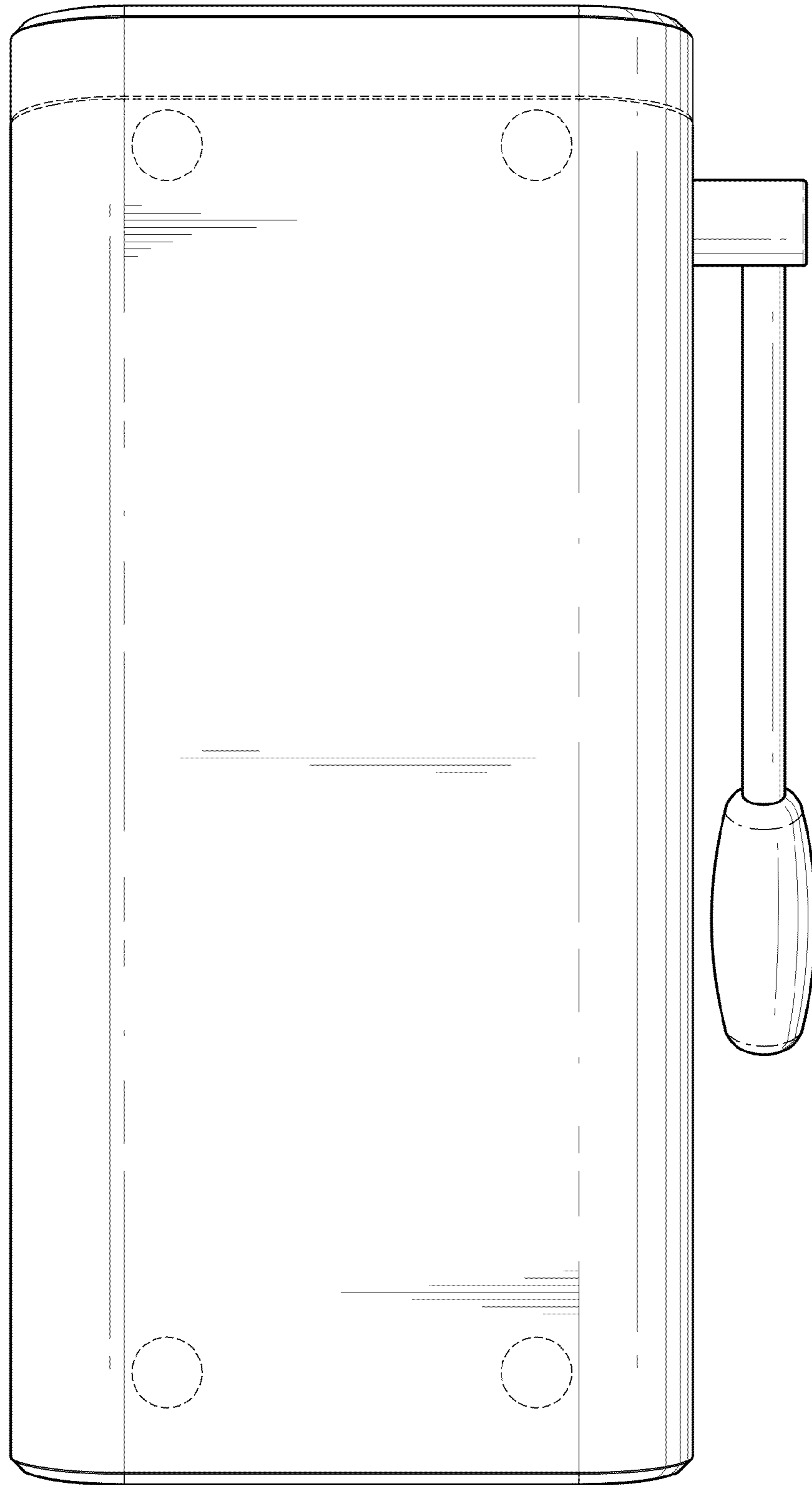


FIG. 7