



US00D721531S

(12) **United States Design Patent**
Krasne

(10) **Patent No.:** **US D721,531 S**
(45) **Date of Patent:** **** Jan. 27, 2015**

- (54) **COFFEE MAKER**
- (71) Applicant: **Select Brands, Inc.**, Lenexa, KS (US)
- (72) Inventor: **Mark T. Krasne**, Kansas City, MO (US)
- (73) Assignee: **Select Brands, Inc.**, Lenexa, KS (US)
- (**) Term: **14 Years**
- (21) Appl. No.: **29/447,245**
- (22) Filed: **Mar. 1, 2013**
- (51) **LOC (10) Cl.** **07-01**
- (52) **U.S. Cl.**
USPC **D7/309; D7/311**
- (58) **Field of Classification Search**
USPC D7/306-311, 300; 99/305, 300, 293,
99/279, 290; D23/207, 209
See application file for complete search history.

- D550,499 S * 9/2007 Argabrite et al. D7/309
- D627,188 S * 11/2010 Picozza et al. D7/309
- D677,510 S * 3/2013 Tetreault D7/309
- D685,600 S * 7/2013 White D7/309

* cited by examiner

Primary Examiner — Marianne Pandozzi
(74) *Attorney, Agent, or Firm* — Hovey Williams LLP

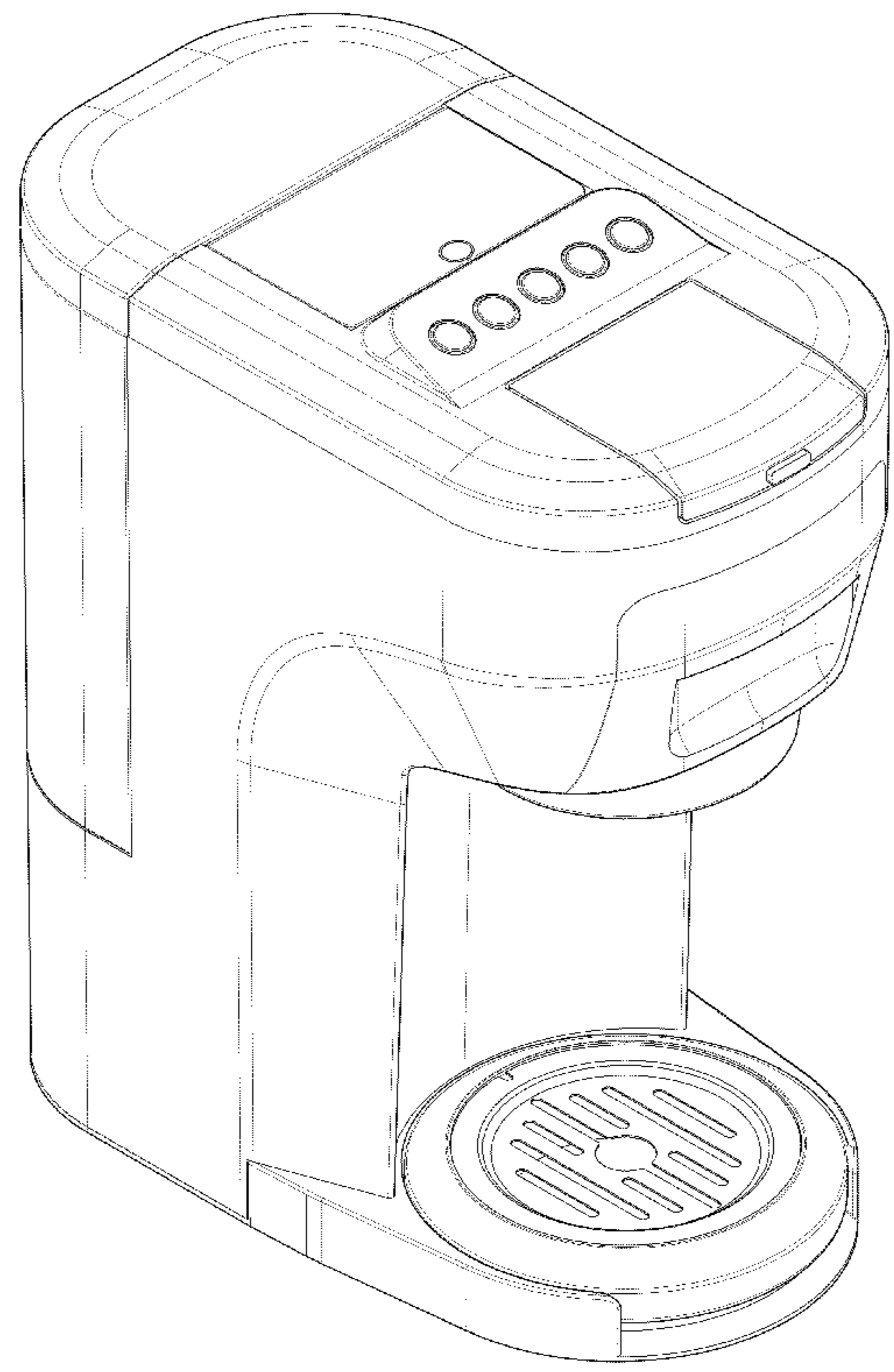
(57) **CLAIM**
The ornamental design for a coffee maker, as shown and described.

DESCRIPTION

FIG. 1 is a front perspective of a coffee maker embodying my design;
 FIG. 2 is a front elevation of the coffee maker shown in FIG. 1;
 FIG. 3 is a right side elevation of the coffee maker shown in FIGS. 1 and 2;
 FIG. 4 is a rear elevation of the coffee maker shown in FIGS. 1-3;
 FIG. 5 is a left side elevation of the coffee maker shown in FIGS. 1-4;
 FIG. 6 is a top view of the coffee maker shown in FIGS. 1-5; and,
 FIG. 7 is a bottom view of the coffee maker shown in FIGS. 1-6.

1 Claim, 7 Drawing Sheets

- (56) **References Cited**
U.S. PATENT DOCUMENTS
- D248,721 S * 8/1978 Sato et al. D7/309
- D343,758 S * 2/1994 Beeren D7/309
- D462,226 S * 9/2002 Williamson et al. D7/309
- D481,902 S * 11/2003 O'Connor et al. D7/309
- D497,278 S * 10/2004 Picozza et al. D7/309
- D511,066 S * 11/2005 Garner D7/309
- D546,112 S * 7/2007 Rorke et al. D7/309



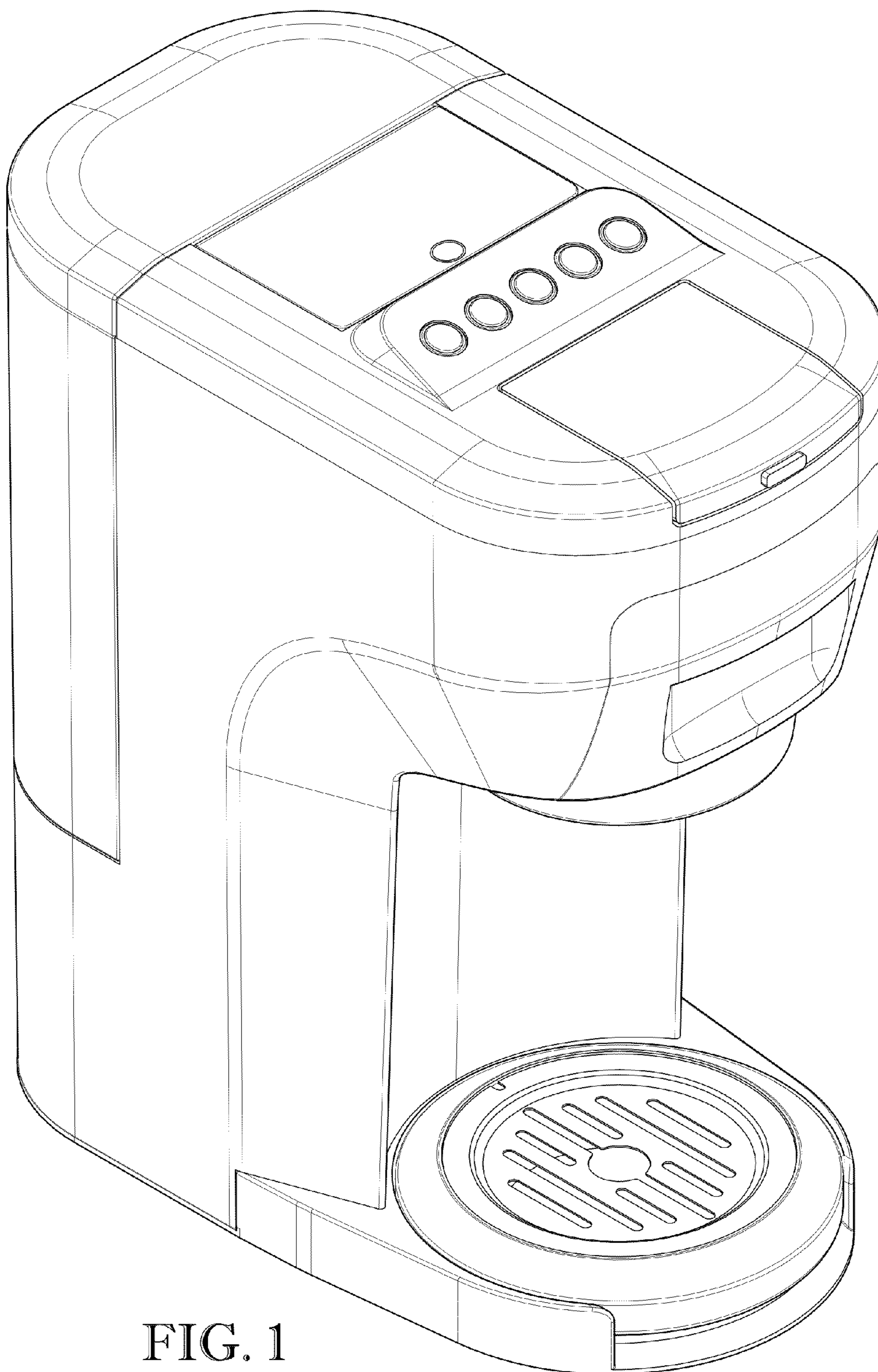


FIG. 1

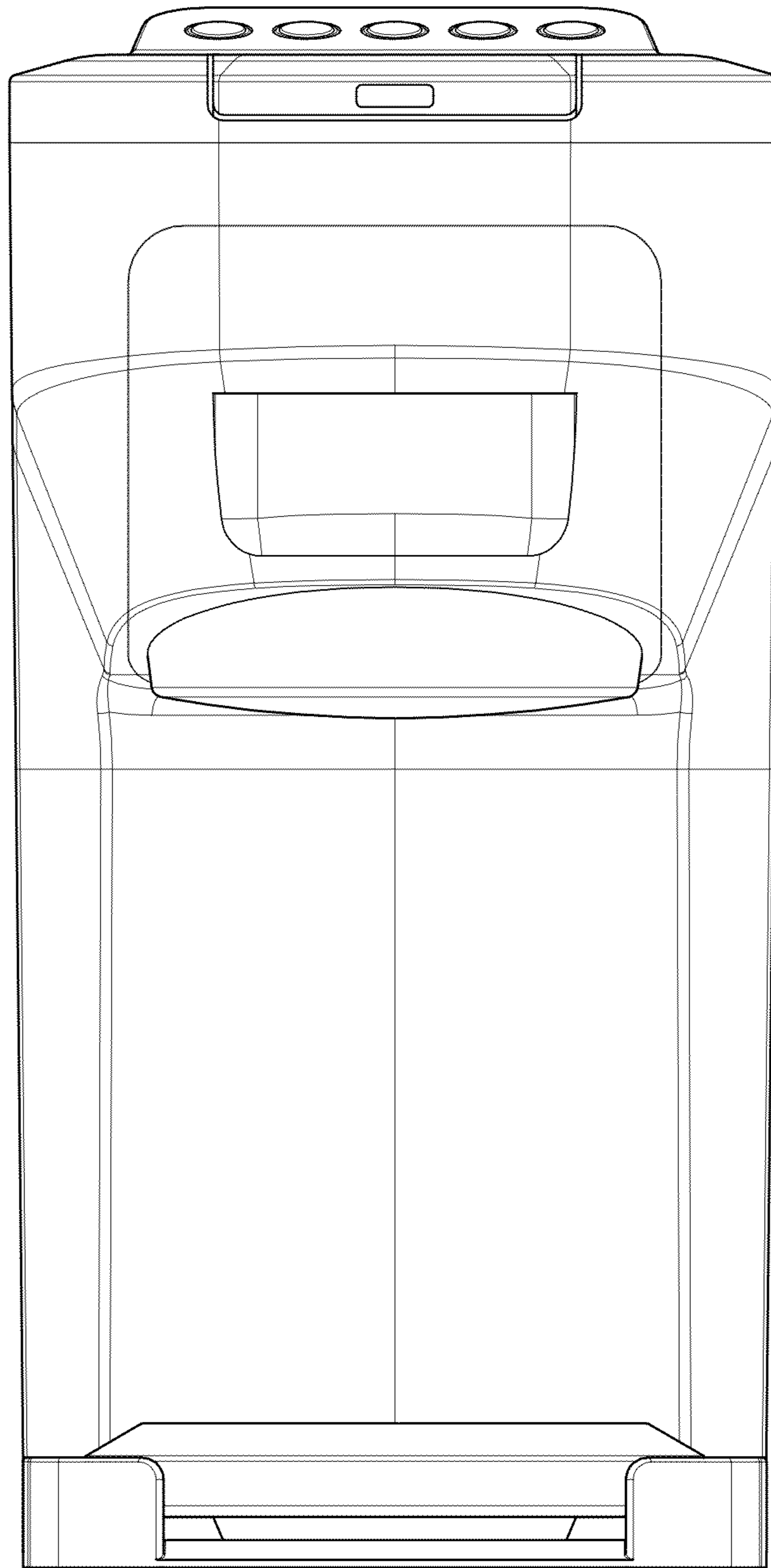


FIG. 2

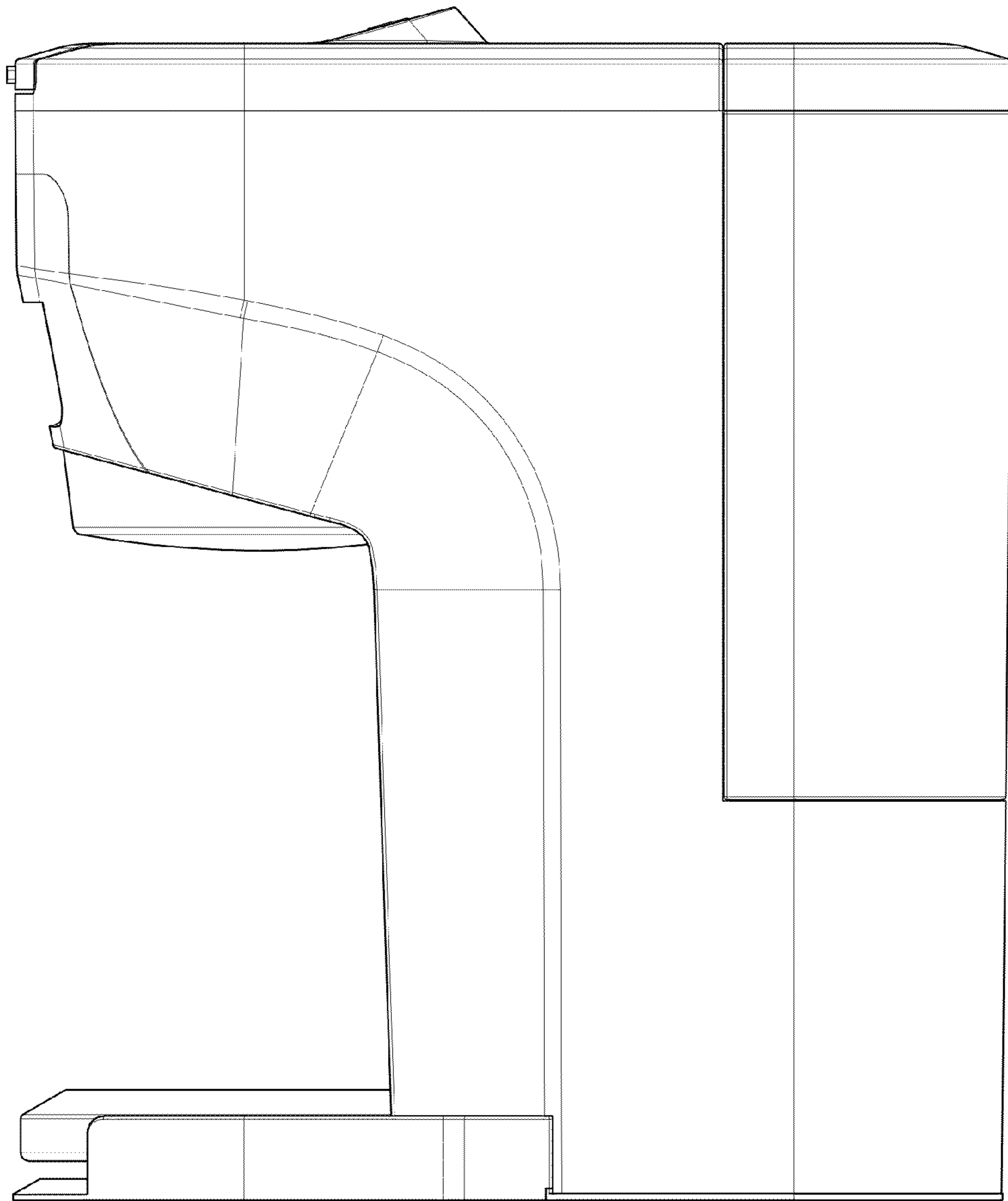


FIG. 3

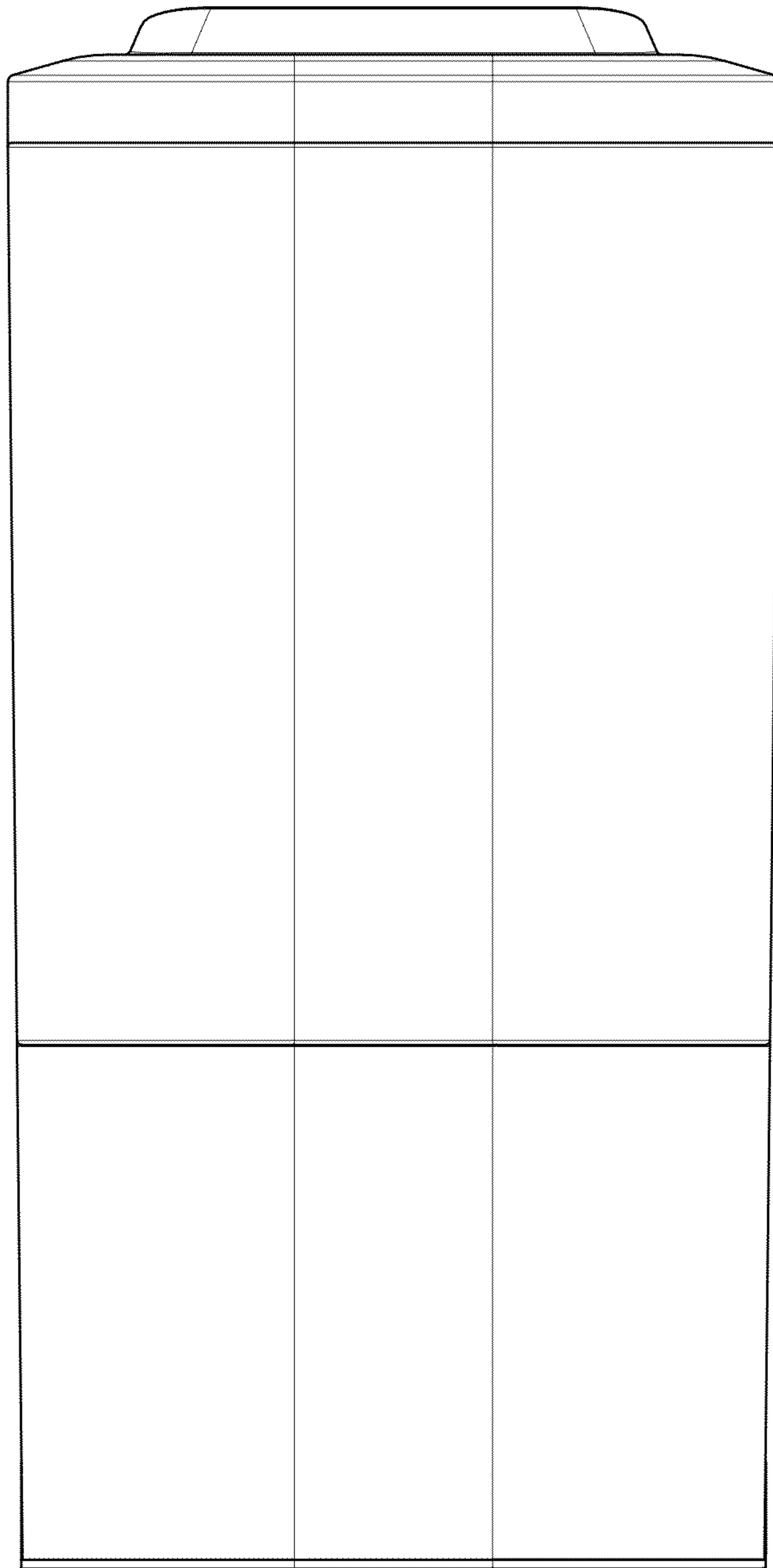


FIG. 4

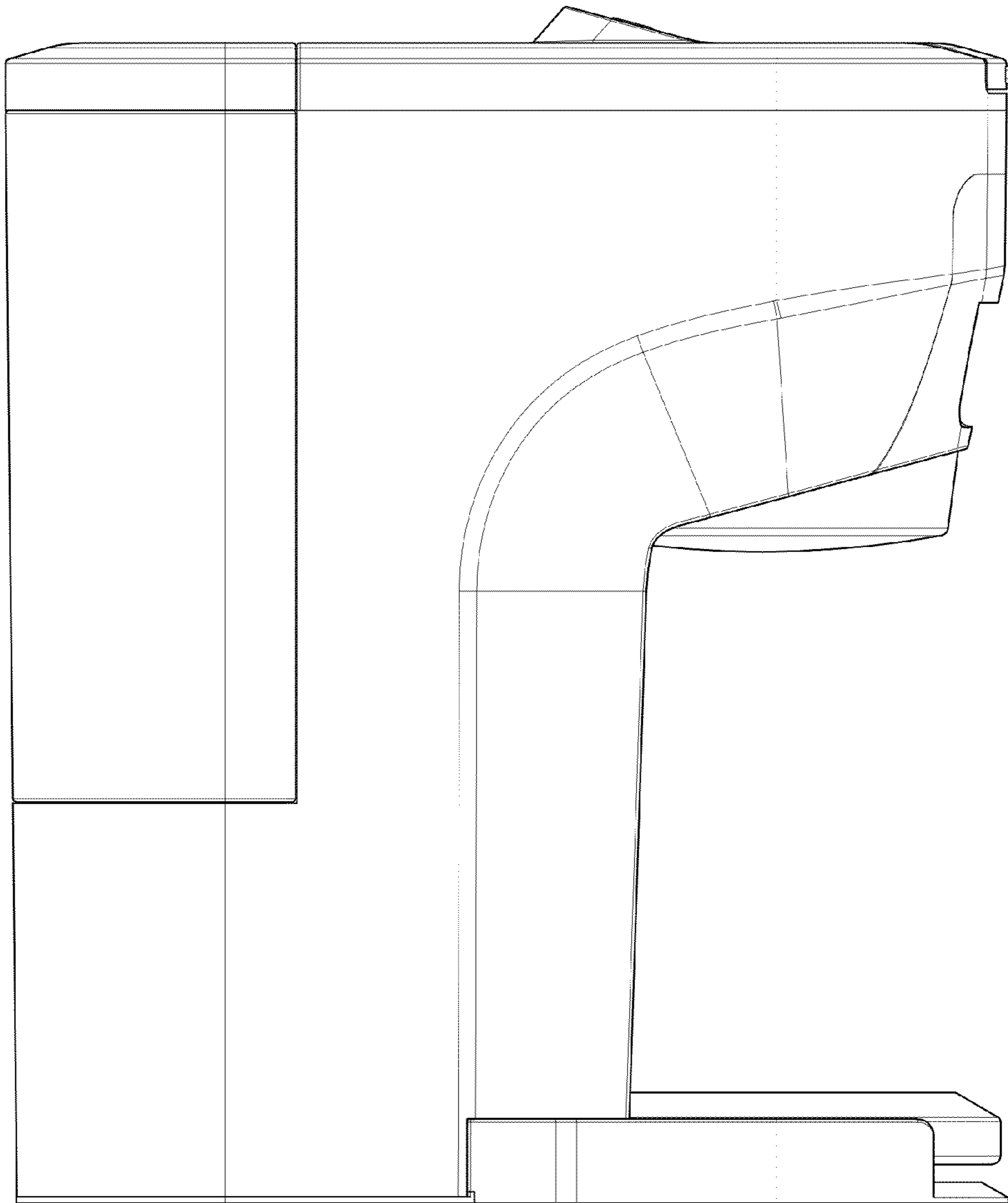


FIG. 5

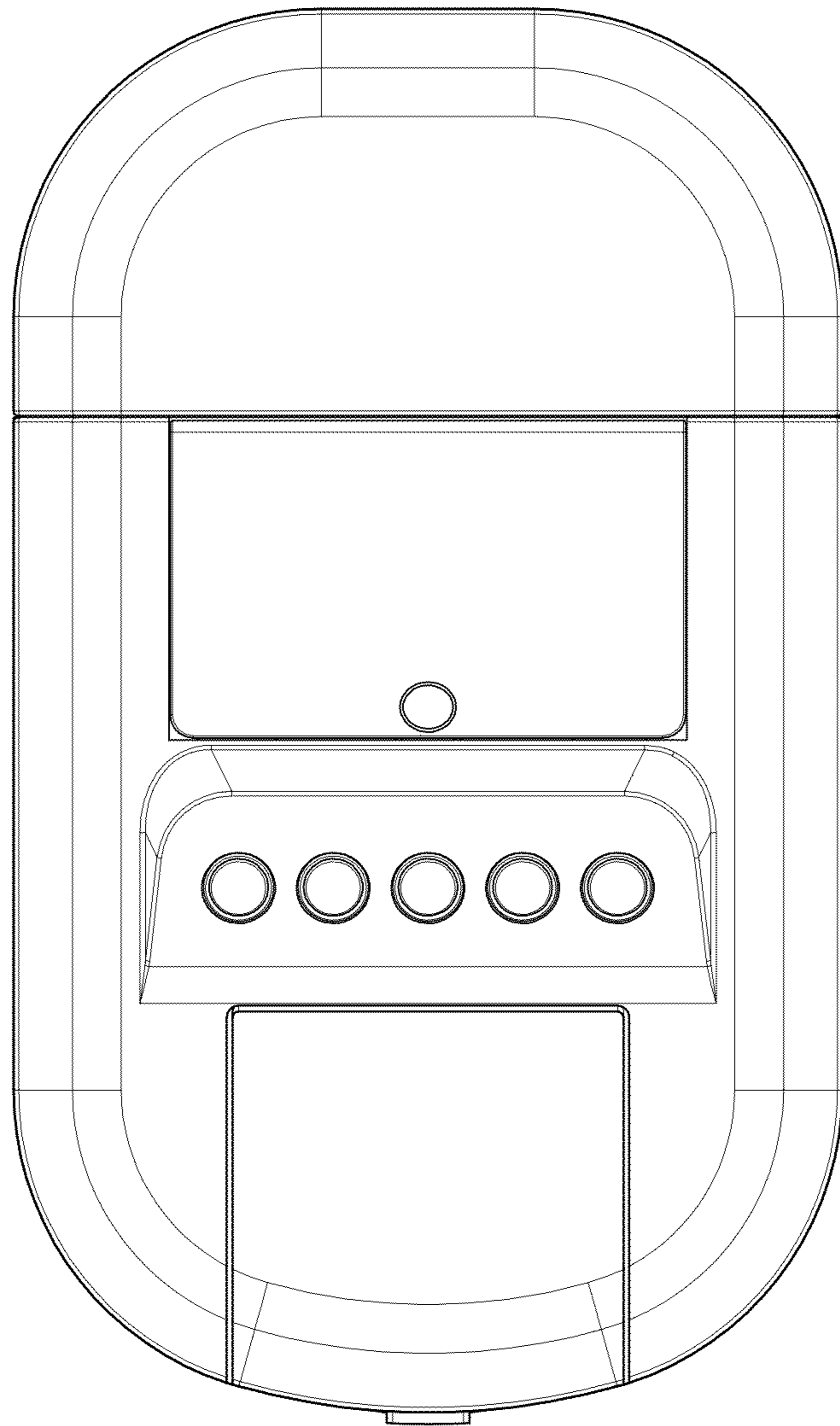


FIG. 6

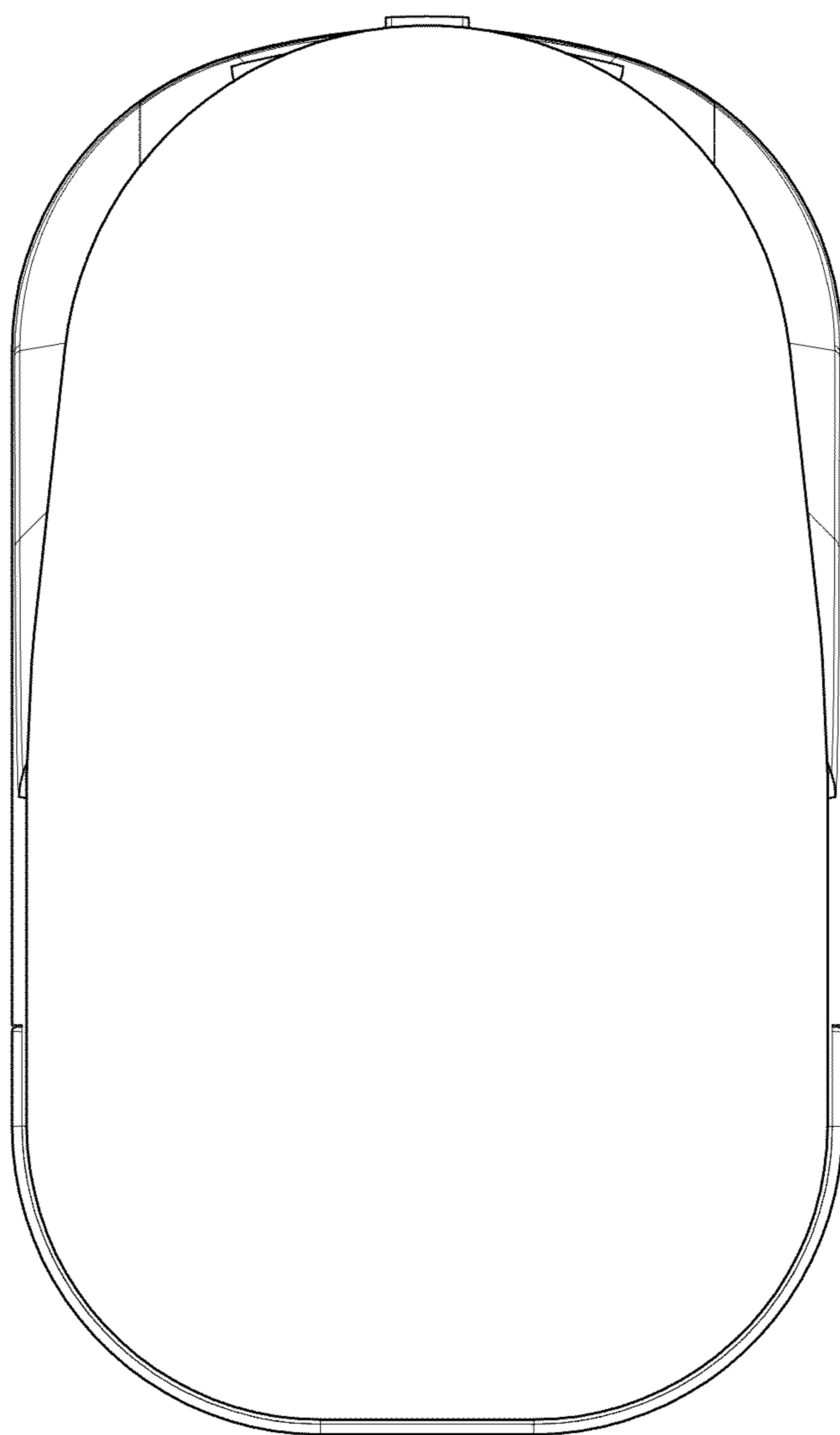


FIG. 7