



US00D721528S

(12) **United States Design Patent**
Peery et al.

(10) **Patent No.:** **US D721,528 S**
(45) **Date of Patent:** **** Jan. 27, 2015**

- (54) **CHAIR**
- (71) Applicant: **Lifetime Products, Inc.**, Clearfield, UT (US)
- (72) Inventors: **Wendell Peery**, Kaysville, UT (US);
Mitch Johnson, South Weber, UT (US);
David C. Winter, Layton, UT (US);
Frank Clegg, Fruit Heights, UT (US)
- (73) Assignee: **Lifetime Products, Inc.**, Clearfield, UT (US)

- 2,458,095 A 1/1949 O'Conner
- 2,753,922 A 7/1956 Grimland
- D214,267 S 5/1969 Moore et al.
- D435,977 S 1/2001 Ambasz
- D436,457 S 1/2001 Ambasz
- D443,429 S 6/2001 Mower et al.
- D452,619 S 1/2002 Piretti
- D465,665 S 11/2002 Ritchie et al.
- D466,712 S 12/2002 Haney et al.
- D472,064 S 3/2003 Haney et al.
- D472,723 S 4/2003 Haney et al.
- D472,745 S 4/2003 Haney et al.

(Continued)

- (**) Term: **14 Years**
- (21) Appl. No.: **29/484,894**
- (22) Filed: **Mar. 13, 2014**

Related U.S. Application Data

- (62) Division of application No. 29/466,577, filed on Sep. 9, 2013, now Pat. No. Des. 710,623.
- (51) **LOC (10) Cl.** **06-01**
- (52) **U.S. Cl.**
USPC **D6/709; D6/368**
- (58) **Field of Classification Search**
USPC D6/334-336, 344-356, 360-381, 388,
D6/403, 491-502, 692, 708, 709, 709.2,
D6/711.1, 716, 716.2-716.4, 717; 297/23,
297/46, 55-58, 239, 440.15-440.23, 445.1,
297/446.2, 448.1, 452.12, 452.18, 452.2,
297/452.21, 452.38, 452.48
See application file for complete search history.

(56) **References Cited**

U.S. PATENT DOCUMENTS

- D107,545 S 12/1937 O'Conner
- 2,294,340 A 8/1942 Irven

OTHER PUBLICATIONS

U.S. Appl. No. 12/327,678, filed Dec. 3, 2008, Waite, et al.
(Continued)

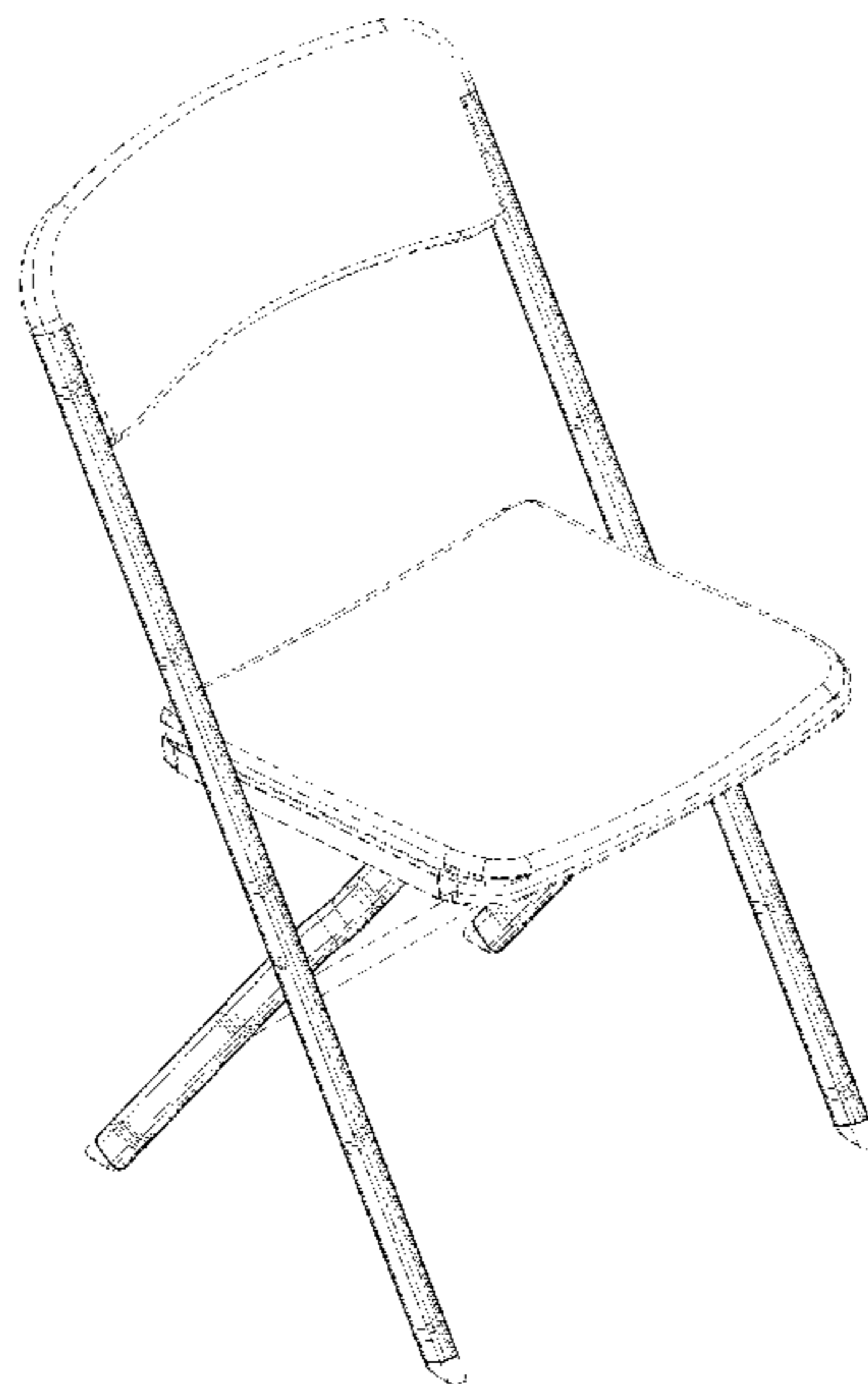
Primary Examiner — Ricky Pham
(74) *Attorney, Agent, or Firm* — Maschoff Brennan

(57) **CLAIM**
The ornamental design for a chair, as shown and described.

DESCRIPTION

FIG. 1 is an upper perspective view of an exemplary chair; FIG. 2 is a lower perspective view of the chair shown in FIG. 1; FIG. 3 is a front view of the chair shown in FIG. 1; FIG. 4 is a rear view of the chair shown in FIG. 1; FIG. 5 is a left side view of the chair shown in FIG. 1; FIG. 6 is a right side view of the chair shown in FIG. 1; FIG. 7 is a top view of the chair shown in FIG. 1; and FIG. 8 is a bottom view of the chair shown in FIG. 1. The broken lines shown in the figures are for illustrative purposes only and form no part of the claimed design.

1 Claim, 8 Drawing Sheets



(56)

References Cited

U.S. PATENT DOCUMENTS

D473,059 S 4/2003 Haney et al.
 6,543,842 B2 4/2003 Haney
 D477,470 S 7/2003 Haney et al.
 D477,926 S 8/2003 Haney et al.
 D477,939 S 8/2003 Haney et al.
 6,616,223 B1 * 9/2003 Lin 297/55
 D481,550 S 11/2003 Astle
 D482,540 S 11/2003 Ashby
 D482,543 S 11/2003 Haney et al.
 6,709,050 B2 * 3/2004 Huang 297/57
 D489,192 S 5/2004 Jin et al.
 D498,071 S 11/2004 Ashby et al.
 D501,613 S 2/2005 Kaltenmark et al.
 6,871,906 B2 3/2005 Haney
 D506,325 S 6/2005 Farber et al.
 D506,880 S 7/2005 Cantarutti
 D507,425 S 7/2005 Ashby et al.
 D508,339 S 8/2005 Astle
 7,014,261 B2 3/2006 Haney
 7,017,986 B2 3/2006 Degen et al.
 D519,292 S 4/2006 Ashby
 7,036,888 B2 * 5/2006 Yang et al. 297/452.2
 D523,254 S 6/2006 Nye et al.
 D544,225 S 6/2007 Cantarutti
 7,226,123 B1 * 6/2007 Lin et al. 297/56
 7,293,826 B2 * 11/2007 Lu et al. 297/58
 7,338,116 B1 * 3/2008 Lin et al. 297/46
 D569,118 S * 5/2008 Lin et al. D6/368

D569,119 S * 5/2008 Lin et al. D6/368
 7,452,035 B2 11/2008 Astle et al.
 D599,127 S 9/2009 Smith
 7,717,502 B2 5/2010 Deng
 7,717,511 B2 * 5/2010 Huang 297/239
 7,753,439 B2 * 7/2010 Akkad 297/23
 8,033,598 B2 * 10/2011 Smith et al. 297/55
 8,033,612 B2 10/2011 Smith et al.
 D653,471 S 2/2012 Chan
 D655,932 S 3/2012 Ashby et al.
 D667,649 S 9/2012 Waite et al.
 8,322,787 B2 12/2012 Smith
 D677,921 S 3/2013 Wen
 D686,007 S 7/2013 Johnson et al.
 D693,138 S * 11/2013 Lin et al. D6/368
 8,721,003 B2 * 5/2014 Waite et al. 297/440.21
 D710,623 S 8/2014 Peery et al.
 2001/0033100 A1 10/2001 Haney
 2003/0127887 A1 7/2003 Laws et al.
 2004/0239153 A1 12/2004 Leng
 2005/0121947 A1 6/2005 Haney
 2009/0146467 A1 6/2009 Waite et al.

OTHER PUBLICATIONS

U.S. Appl. No. 13/346,535, Jan. 9, 2012, Southwick, et al.
 U.S. Appl. No. 13/346,580, Jan. 9, 2012, Johnson, et al.
 U.S. Appl. No. 29/466,557, Sep. 9, 2013, Peery, et al.
 Notice of Allowance from U.S. Appl. No. 29/466,577 dated Mar. 20, 2014 (copy attached).

* cited by examiner

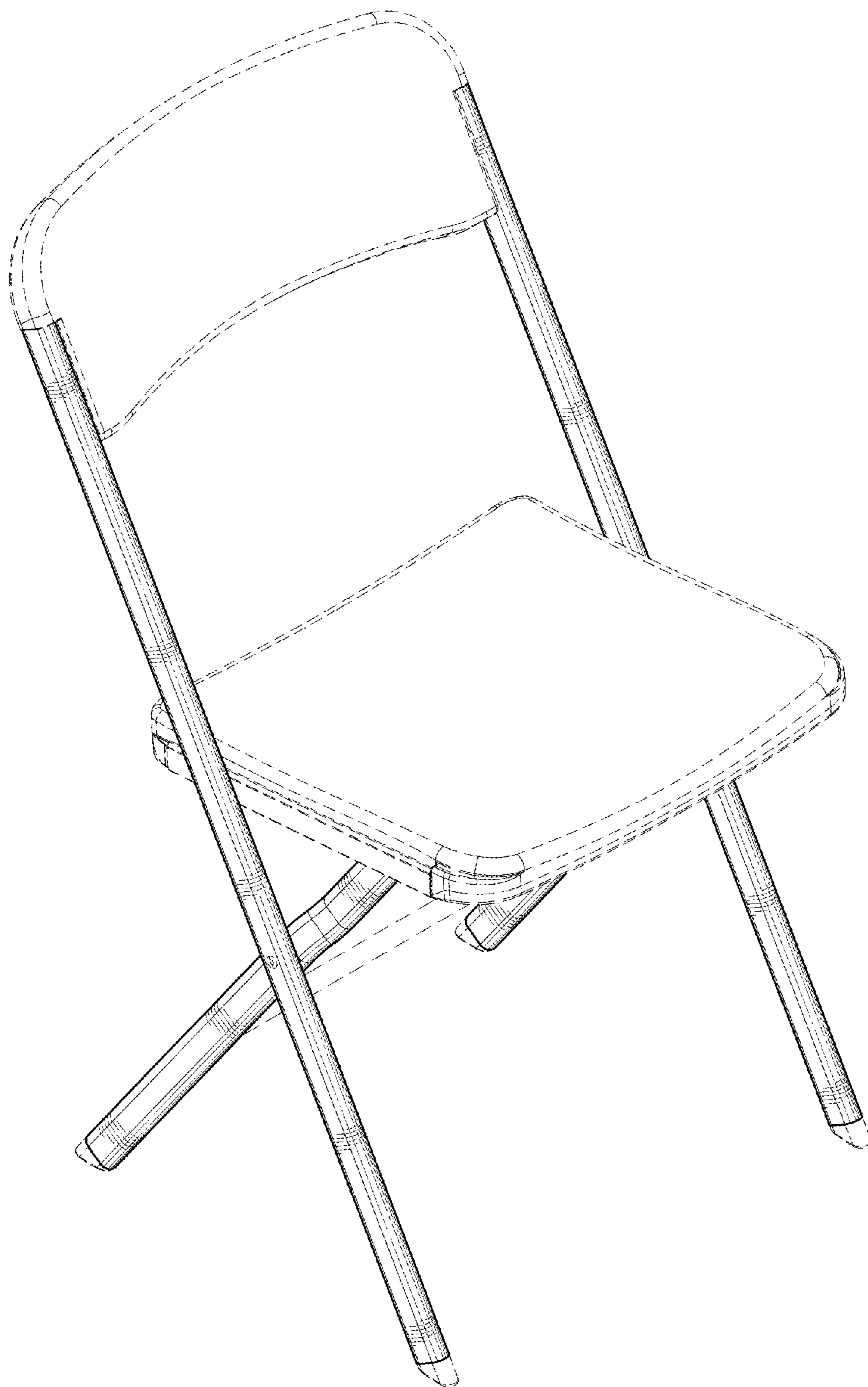


Fig. 1

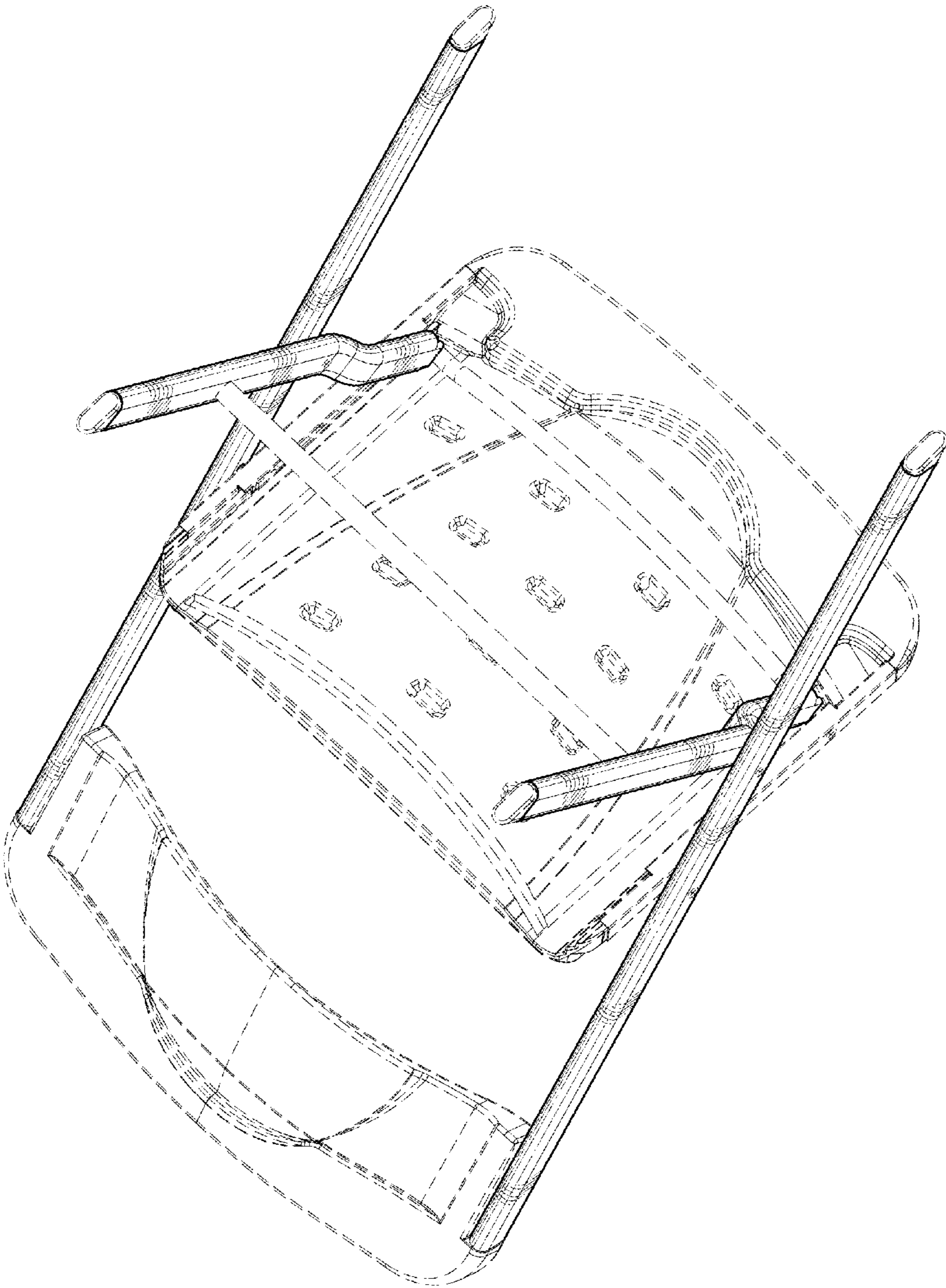


Fig. 2

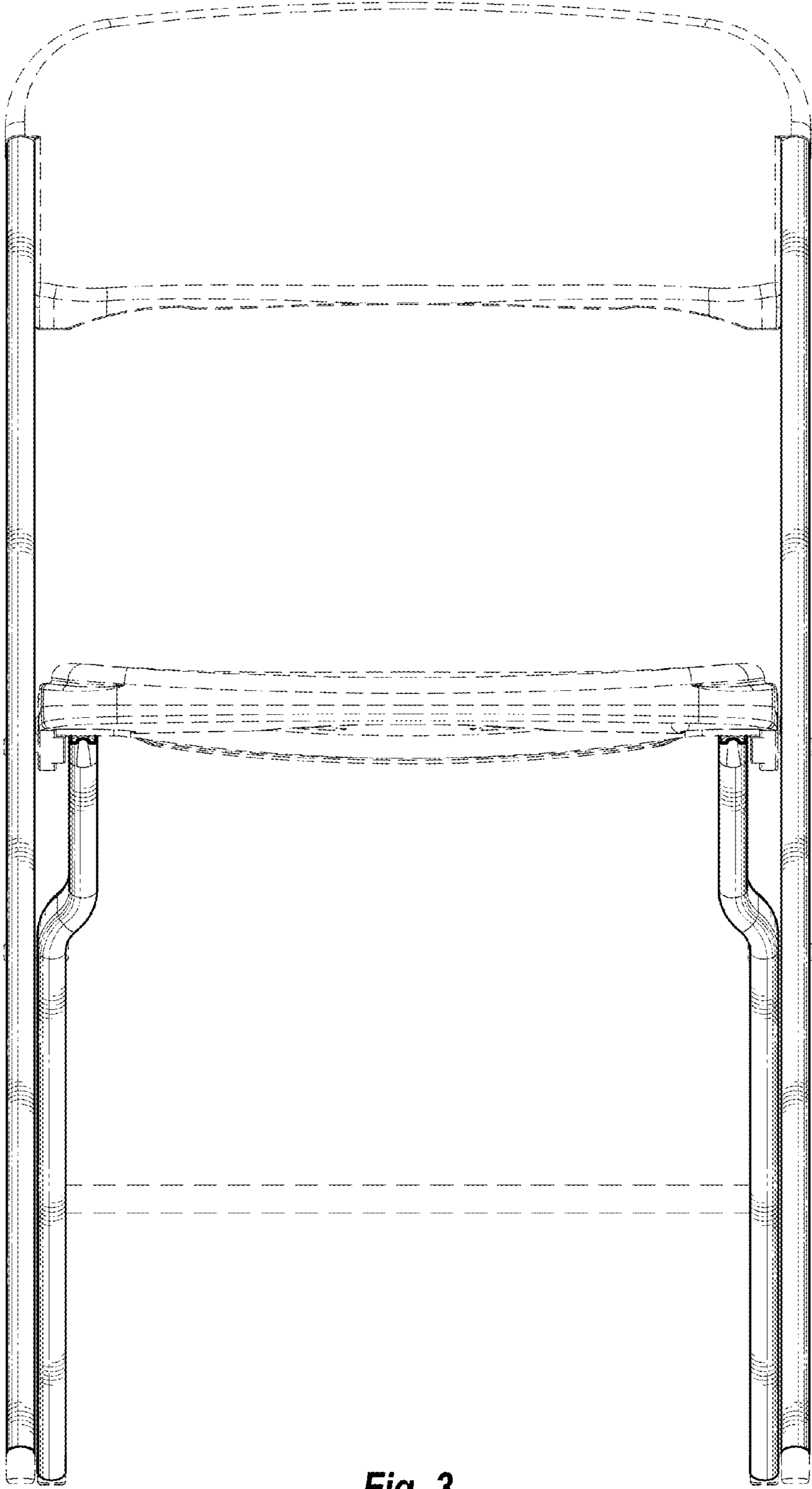


Fig. 3

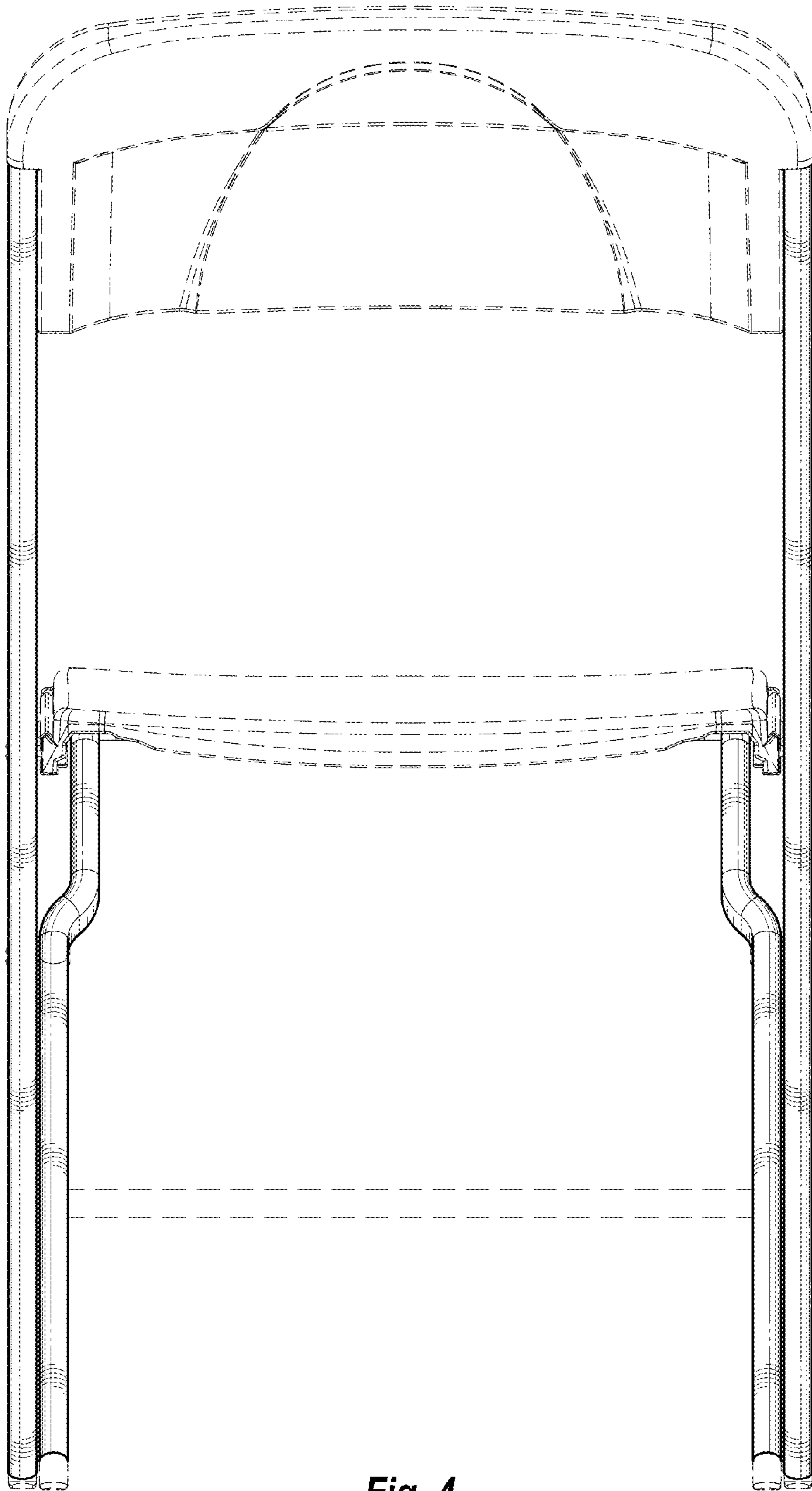


Fig. 4

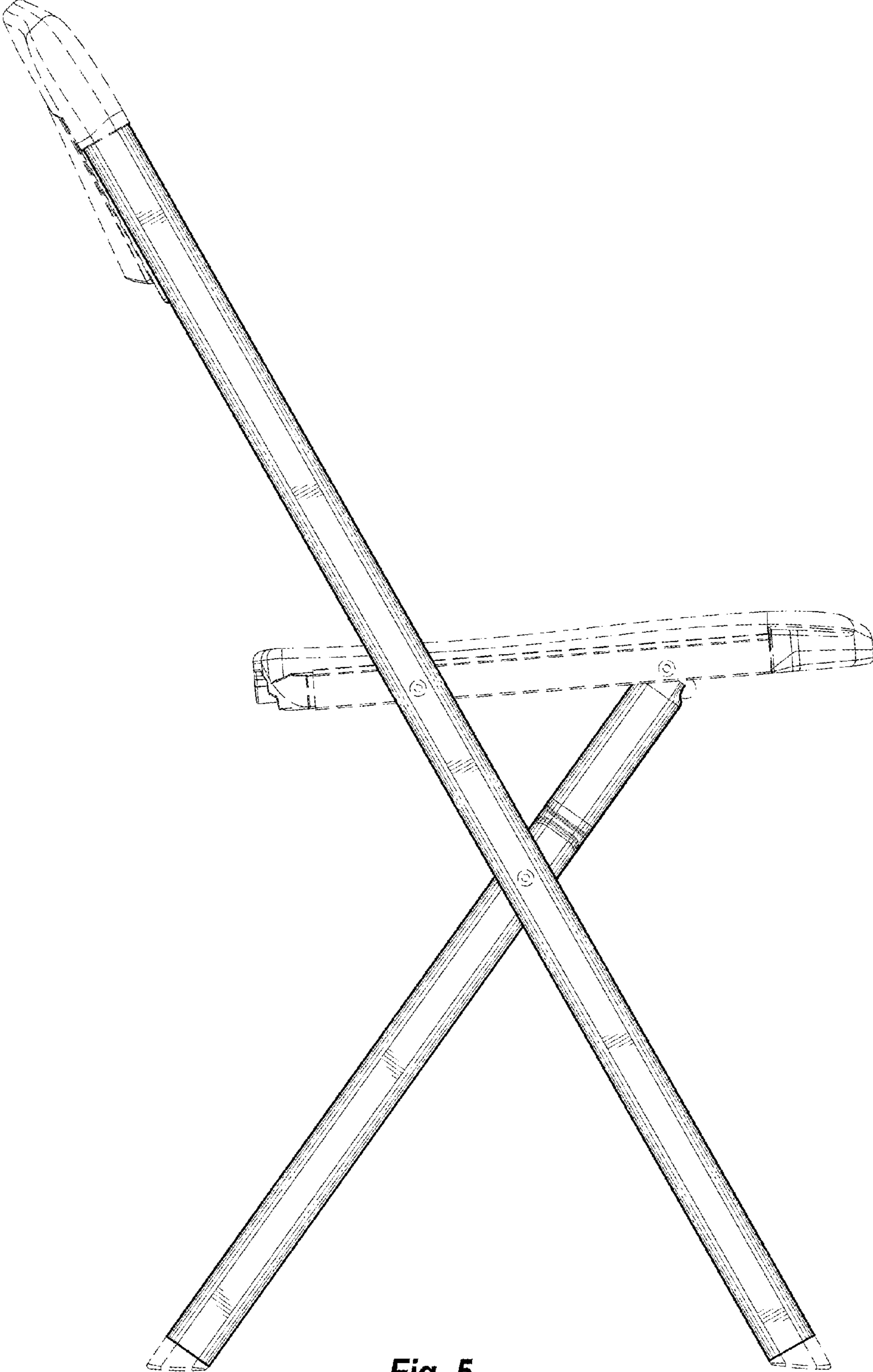


Fig. 5

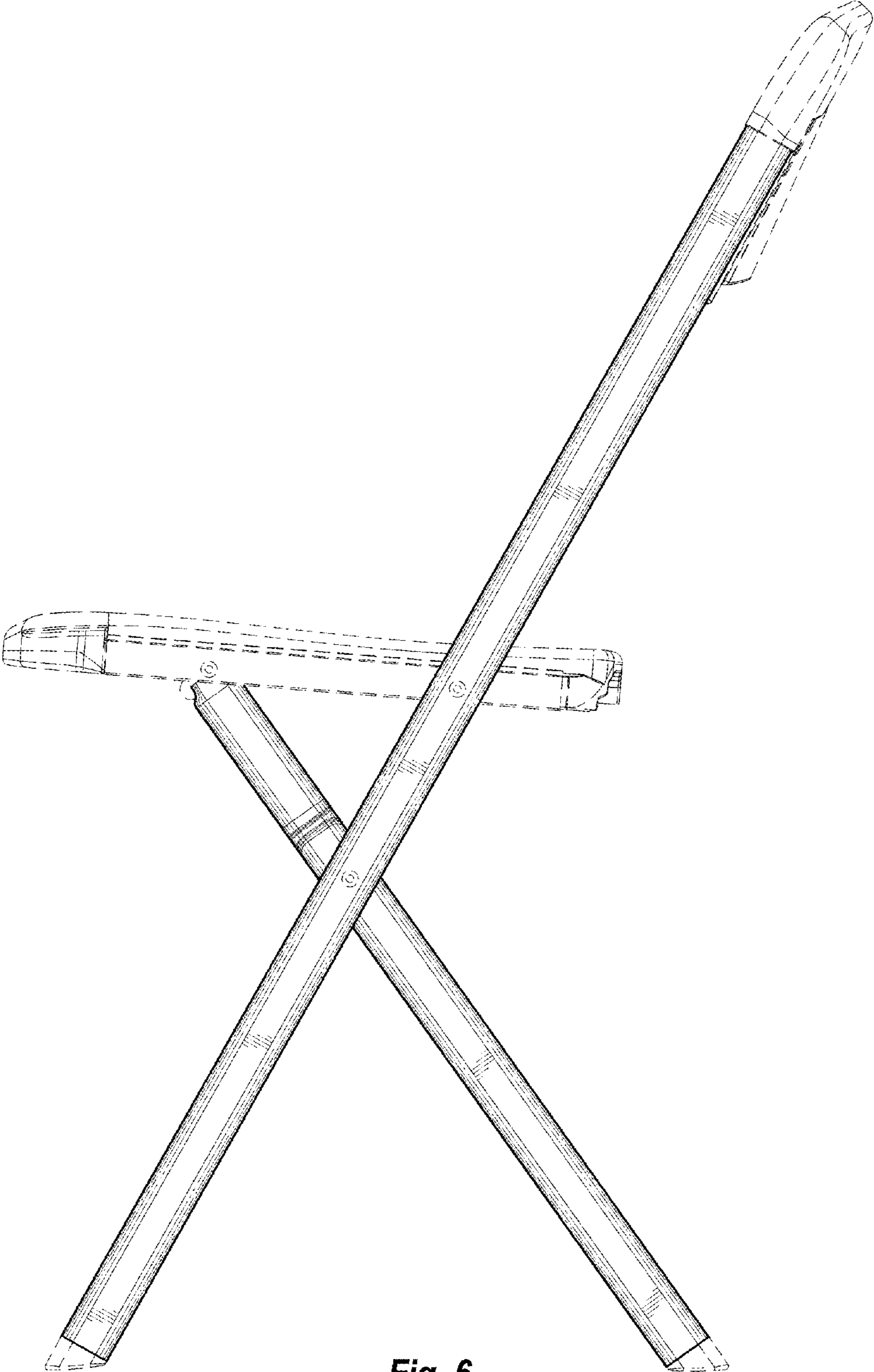


Fig. 6

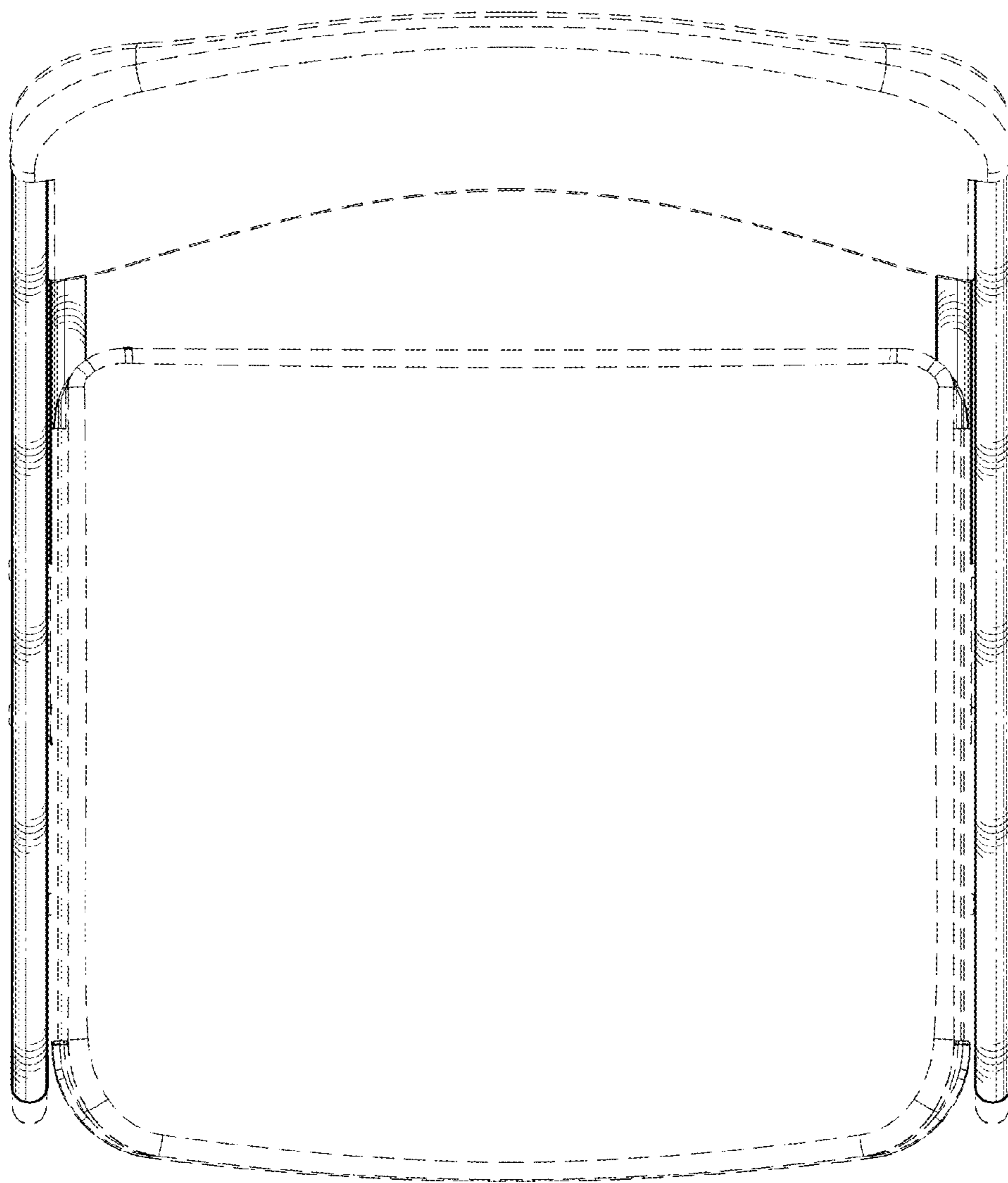


Fig. 7

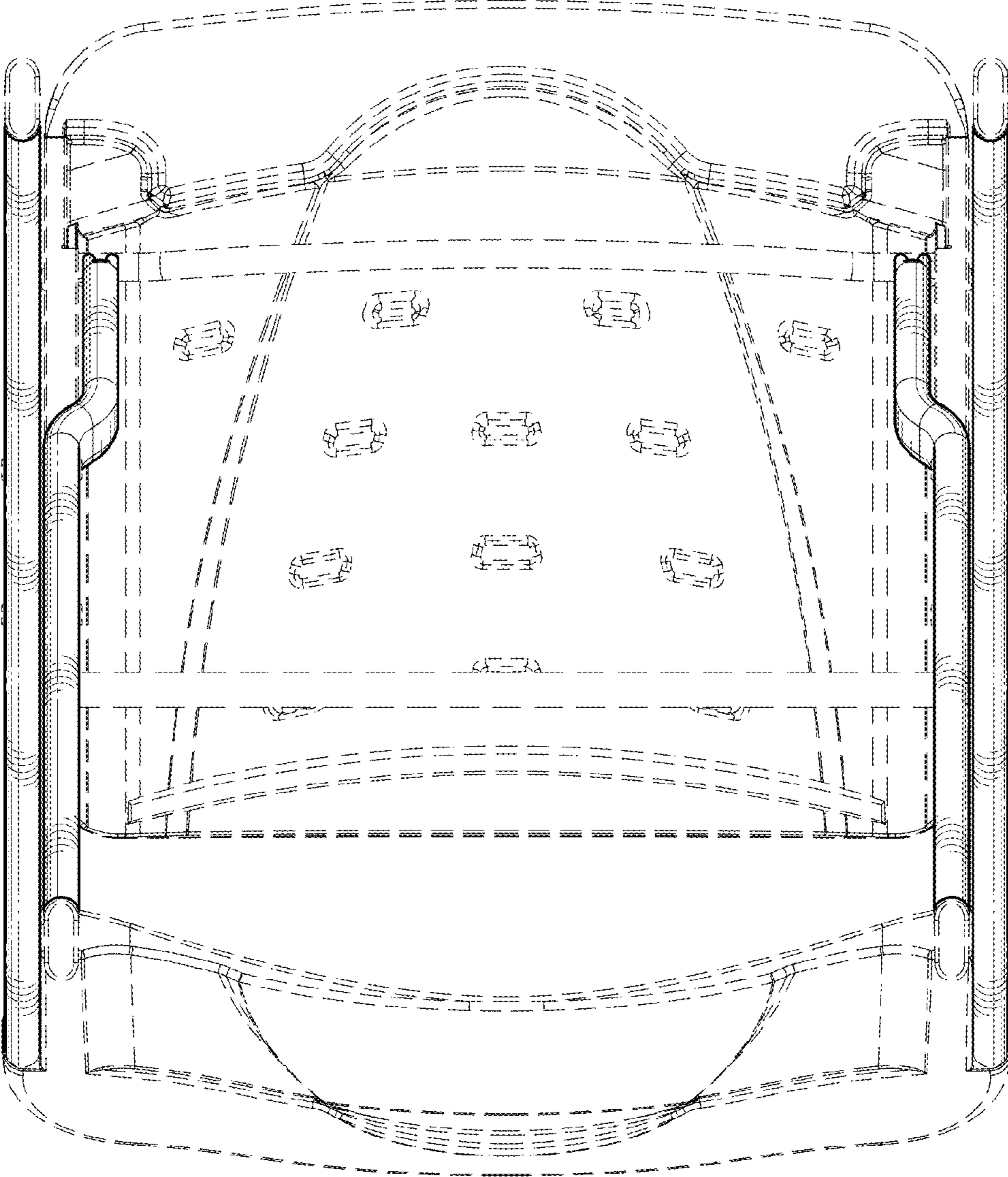


Fig. 8