



US00D721527S

(12) **United States Design Patent**  
**Petrucelli**

(10) **Patent No.:** **US D721,527 S**  
(45) **Date of Patent:** **\*\* Jan. 27, 2015**

- (54) **BASE FOR A PEDICURE CHAIR**
- (71) Applicant: **P.S. Pibbs, Inc.**, Flushing, NY (US)
- (72) Inventor: **Giulio Petrucelli**, Flushing, NY (US)
- (73) Assignee: **P.S. Pibbs, Inc.**, Flushing, NY (US)
- (\*\*) Term: **14 Years**
- (21) Appl. No.: **29/497,401**
- (22) Filed: **Jul. 24, 2014**
- (51) **LOC (10) Cl.** ..... **06-01**
- (52) **U.S. Cl.**  
USPC ..... **D6/708.18**; D24/204
- (58) **Field of Classification Search**  
USPC ..... D6/334–338, 349, 355, 361, 368–370,  
D6/376, 379–381, 716, 716.1, 716.2, 340,  
D6/354, 708.18; 297/16.1, 42, 94, 135,  
297/175, 232, 233, 350, 351, 445.1, 448.1,  
297/448.2, 451.9; 5/12.1, 12.2; D24/204,  
D24/212, 213  
See application file for complete search history.

(56) **References Cited**

**U.S. PATENT DOCUMENTS**

D592,312 S	*	5/2009	Cheng	.....	D24/204
D600,356 S	*	9/2009	Ton	.....	D24/204
D600,817 S	*	9/2009	Ton	.....	D24/213
D602,163 S	*	10/2009	Ton	.....	D24/204
D613,869 S	*	4/2010	Ton	.....	D24/204
D621,519 S	*	8/2010	Ton	.....	D24/204
D702,844 S	*	4/2014	Mai	.....	D24/204

\* cited by examiner

Primary Examiner — Sandra Snapp

(74) *Attorney, Agent, or Firm* — Gerald E. Hespos; Michael J. Porco; Matthew T. Hespos

(57) **CLAIM**

The ornamental design for a base for a pedicure chair, as shown and described.

**DESCRIPTION**

FIG. 1 is a perspective view of a base for a pedicure chair in accordance with my design and showing the base in a closed position;

FIG. 2 is a front elevational view of the base of FIG. 1;

FIG. 3 is a side elevational view taken from the right side of FIGS. 1 and 2;

FIG. 4 is a rear elevational view thereof;

FIG. 5 is a side elevational view taken from the left side of FIGS. 1 and 2;

FIG. 6 is a top plan view of the base for a pedicure chair shown in the closed position of FIGS. 1-5;

FIG. 7 is a perspective view of a base for the pedicure chair in accordance with my design showing the base in an open position;

FIG. 8 is a front elevational view of the base of FIG. 7;

FIG. 9 is a side elevational view taken from the right side of FIGS. 7 and 8;

FIG. 10 is a side elevational view taken from the left side of FIGS. 7 and 8;

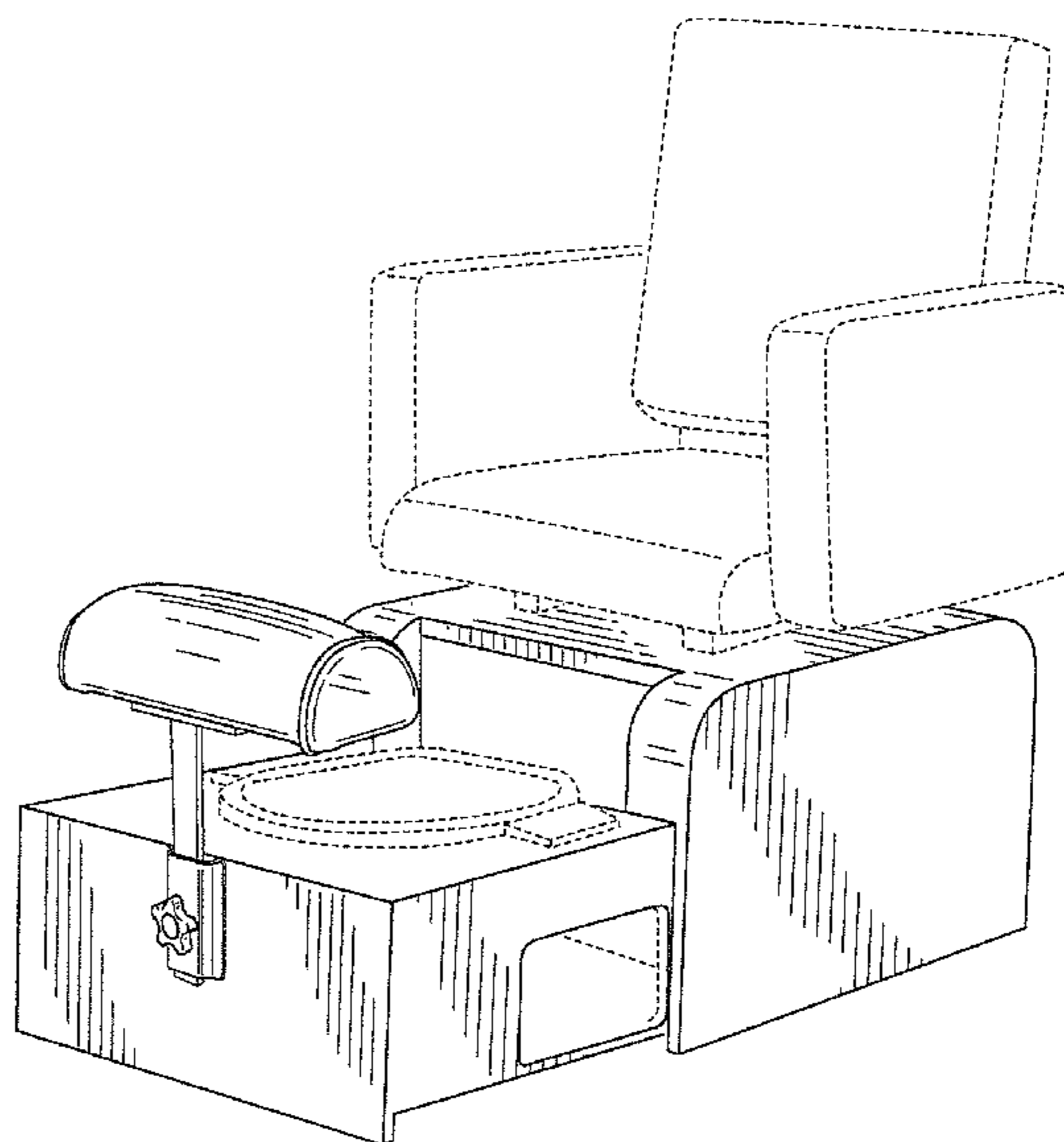
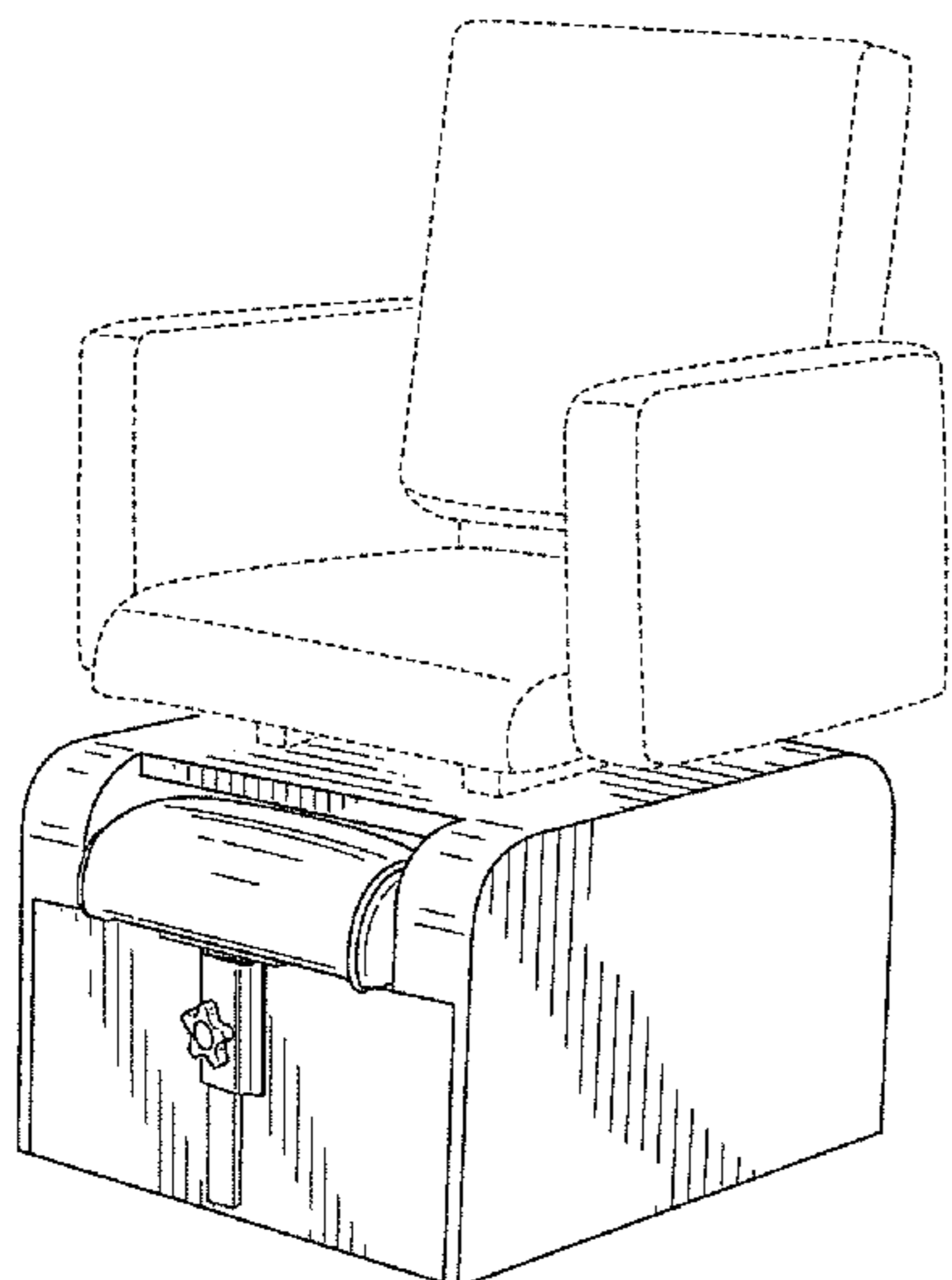
FIG. 11 is a rear elevational view thereof;

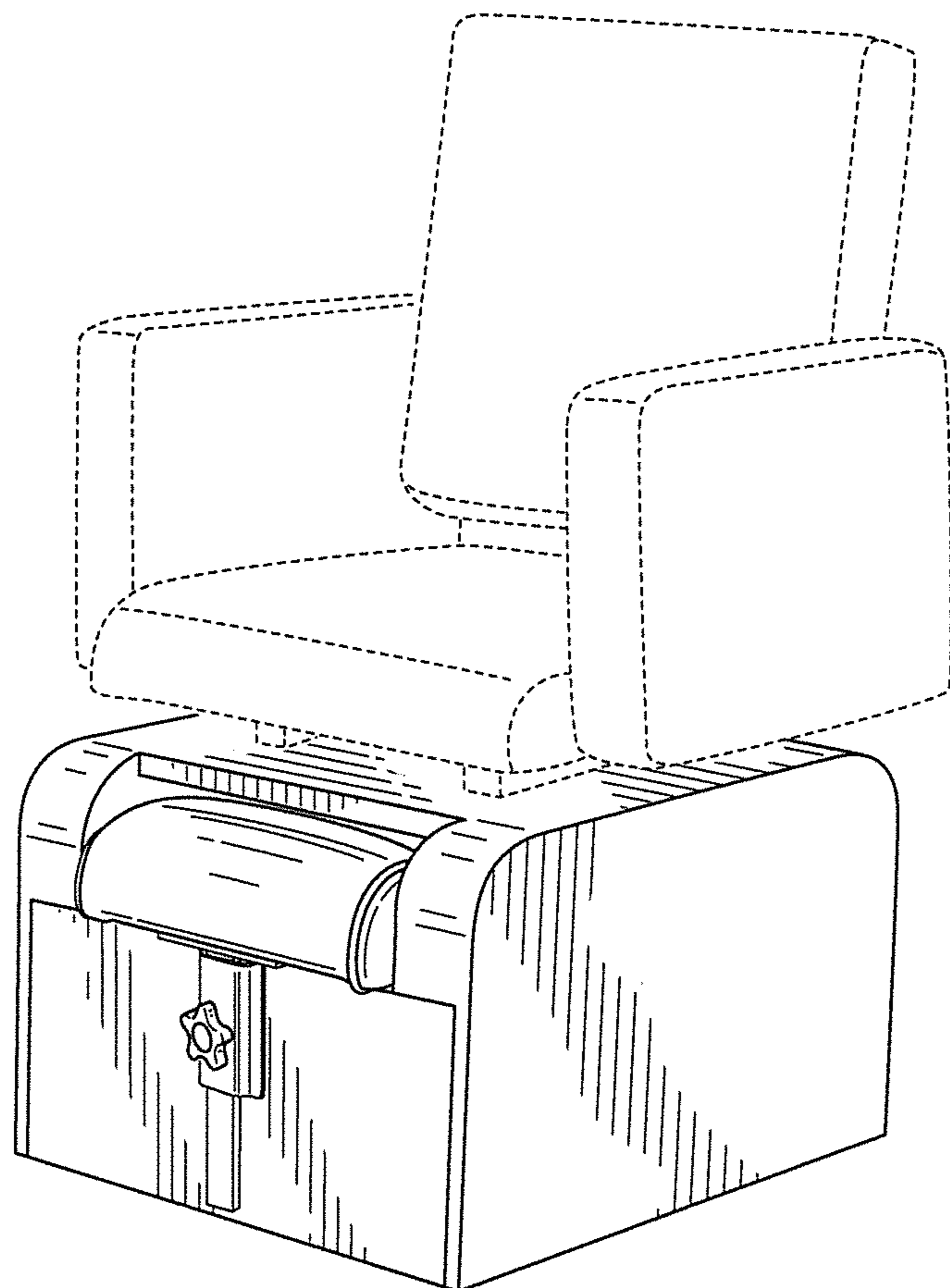
FIG. 12 is a top plan view of the base for a pedicure chair shown in the open position of FIGS. 6-11; and,

FIG. 13 is a perspective view similar to FIG. 7, but showing the adjustable support in an elevated position.

The broken lines showing the chair and the foot bath in FIGS. 1-12 are for illustrative purposes only and form no part of the claimed design.

**1 Claim, 13 Drawing Sheets**





**FIG. 1**

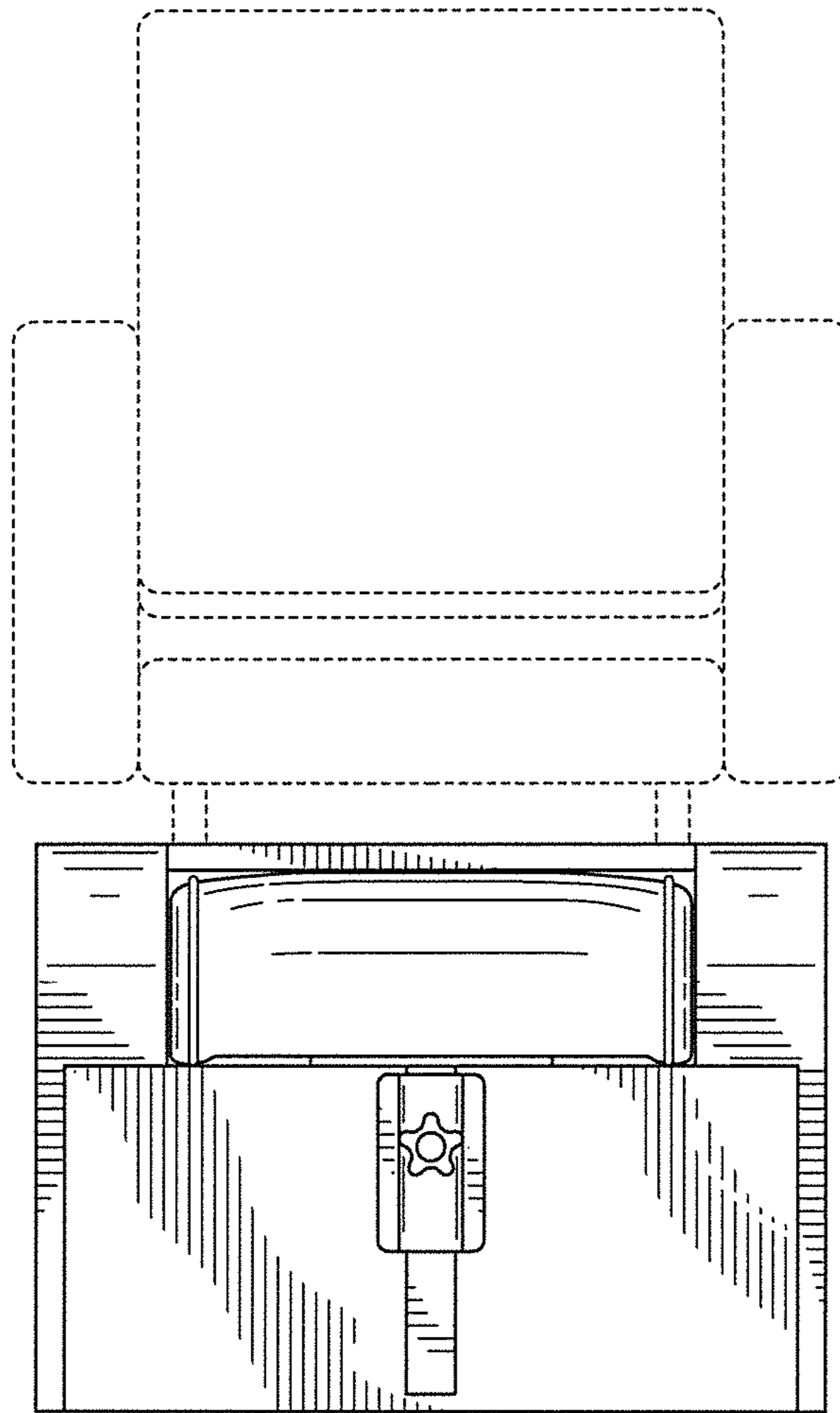
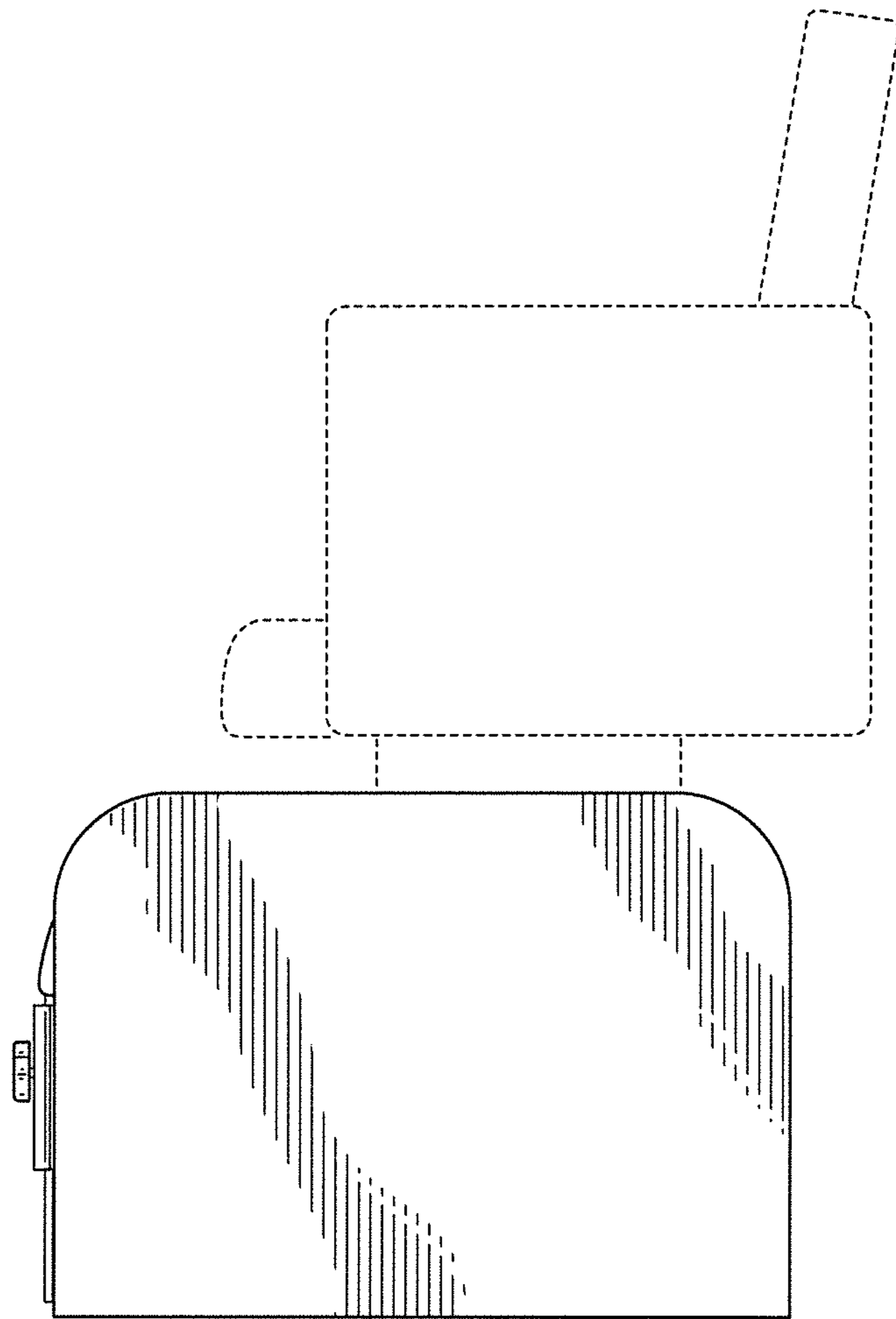


FIG. 2



**FIG. 3**

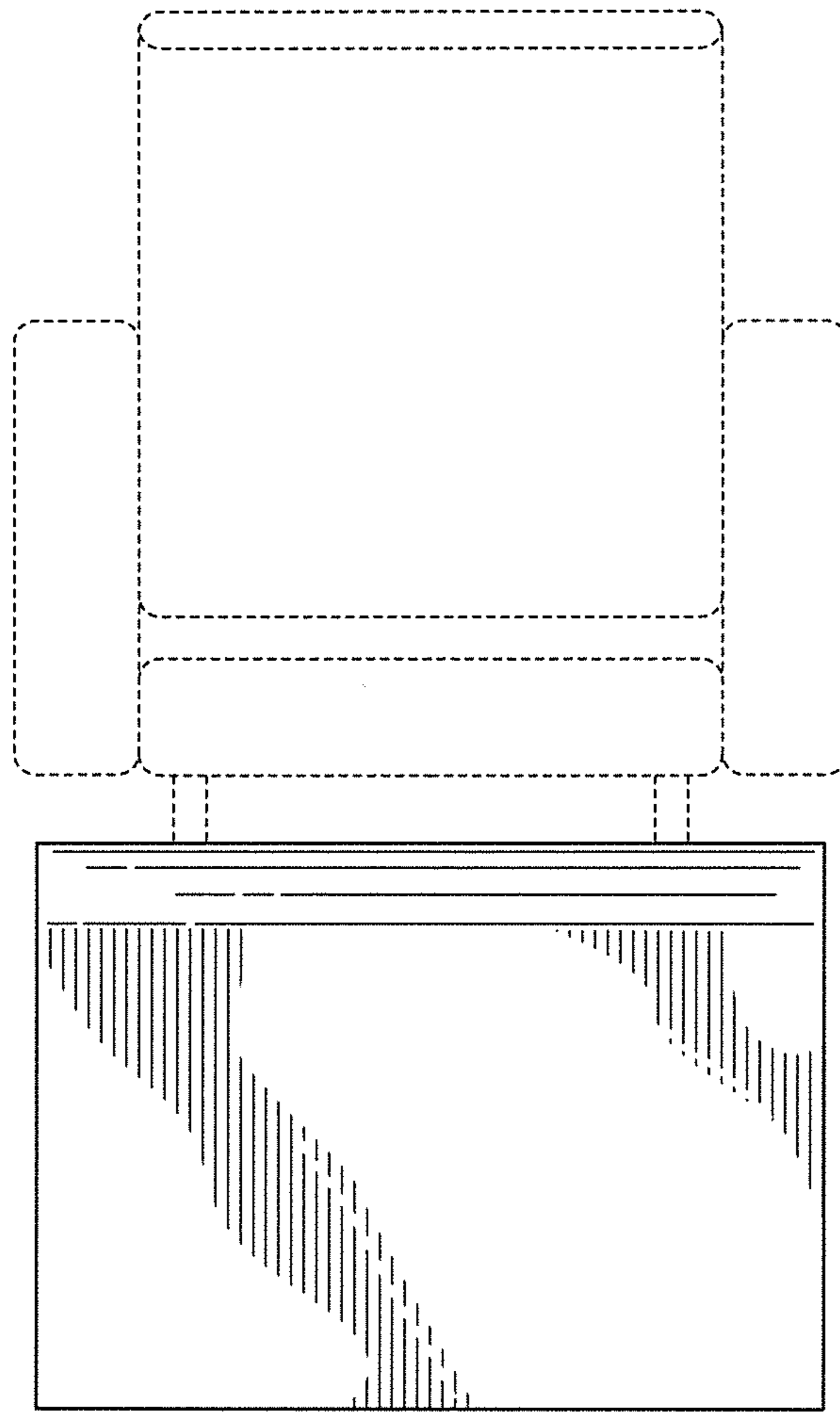


FIG. 4

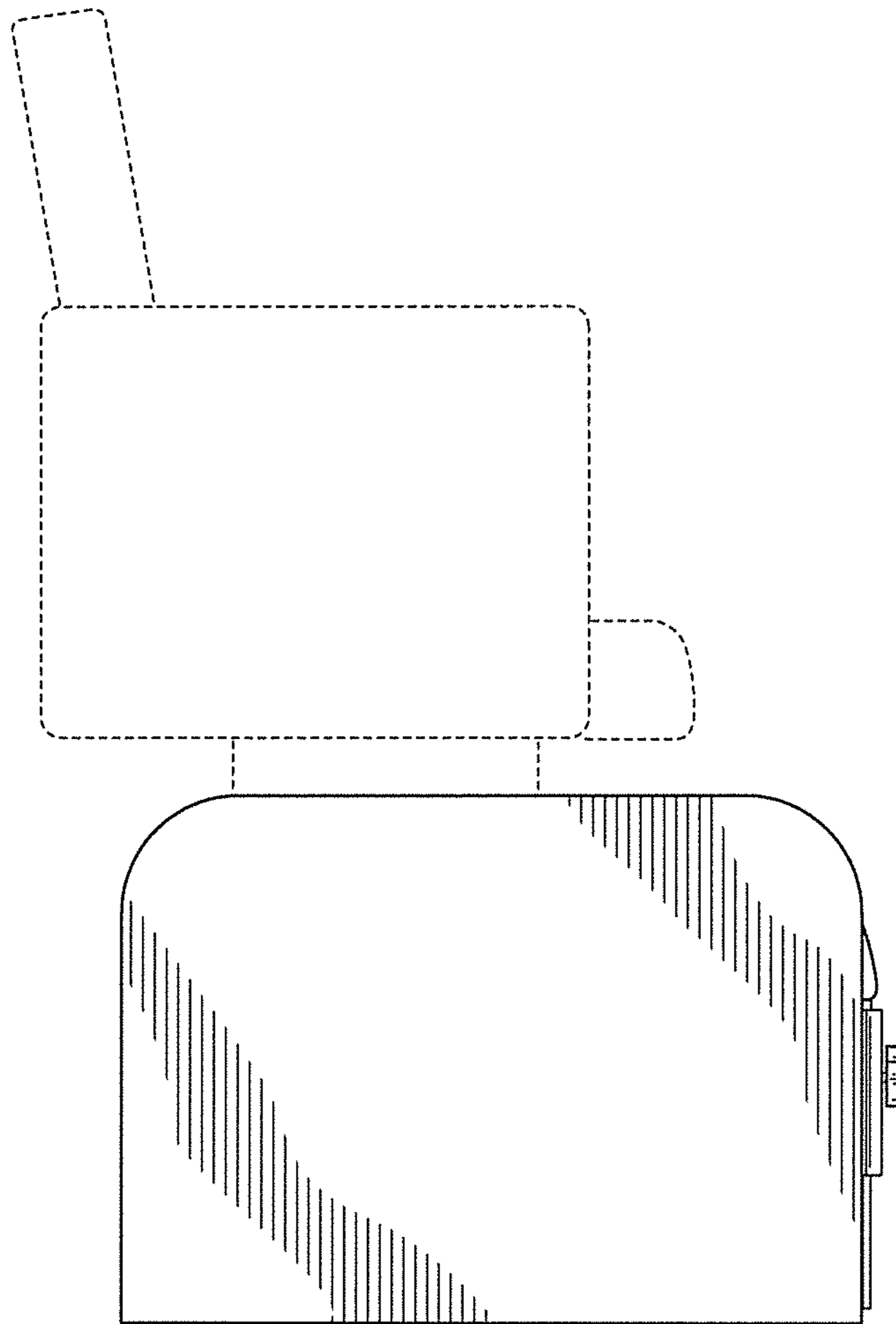


FIG. 5

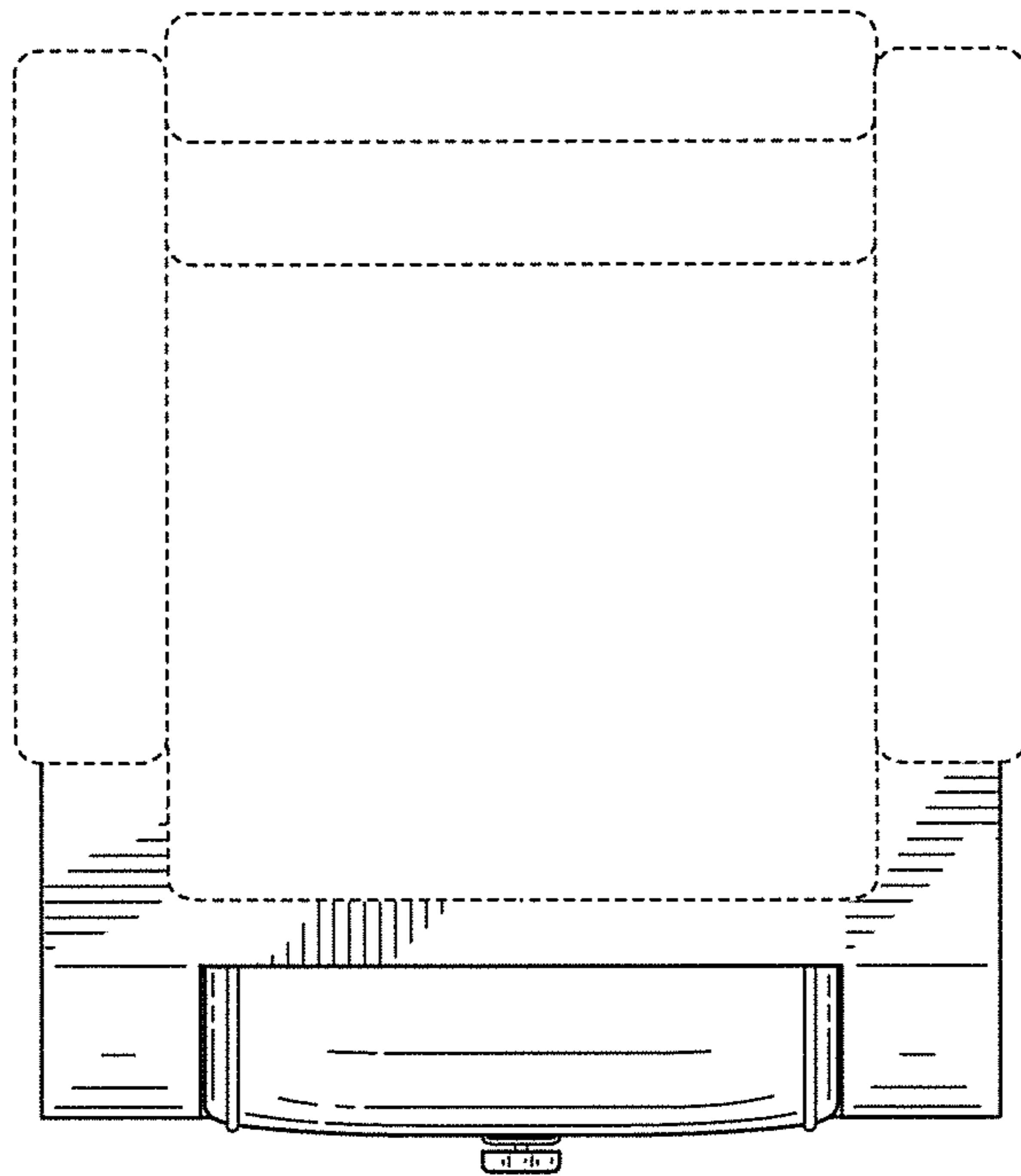


FIG. 6

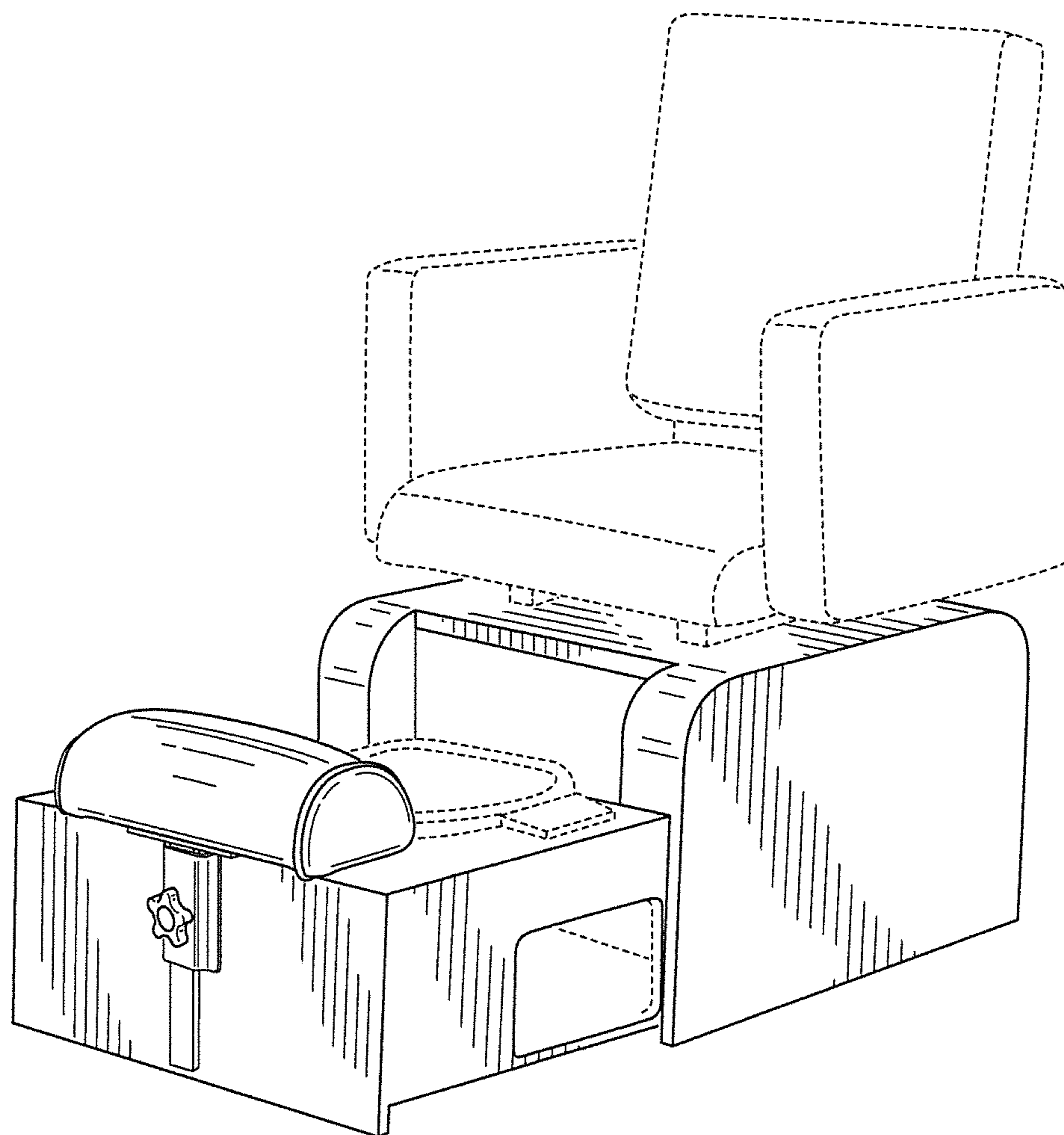


FIG. 7



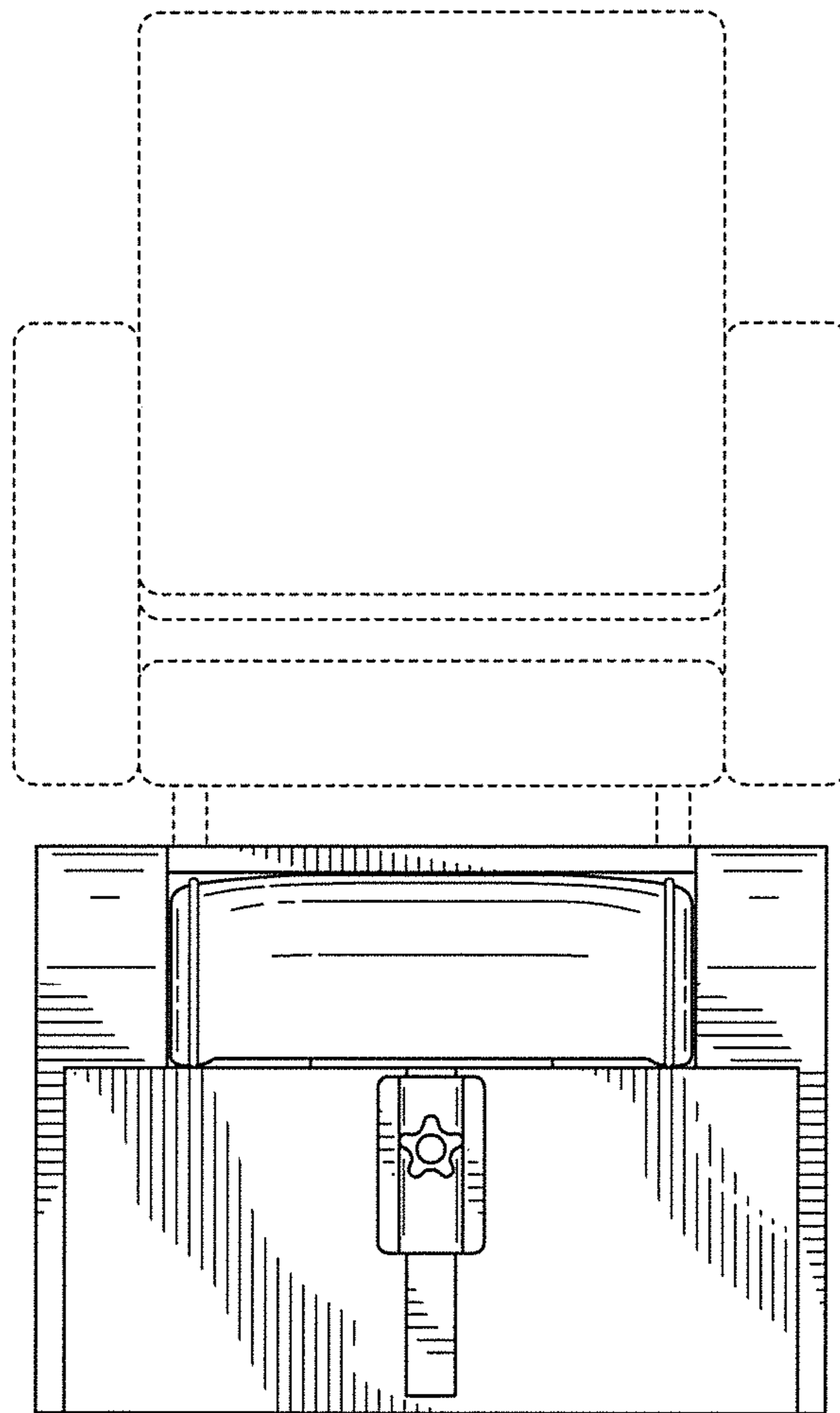


FIG. 8

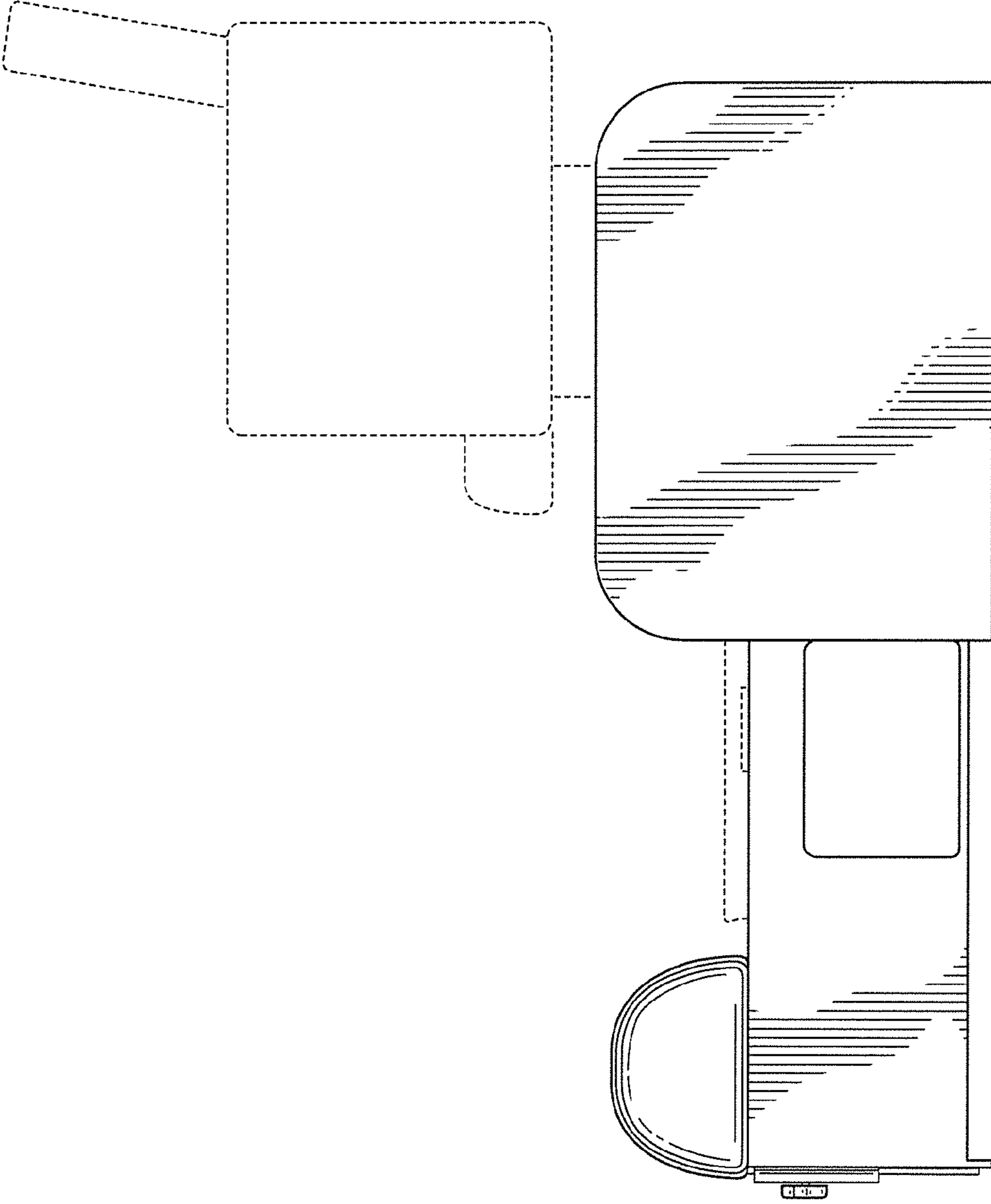


FIG. 9

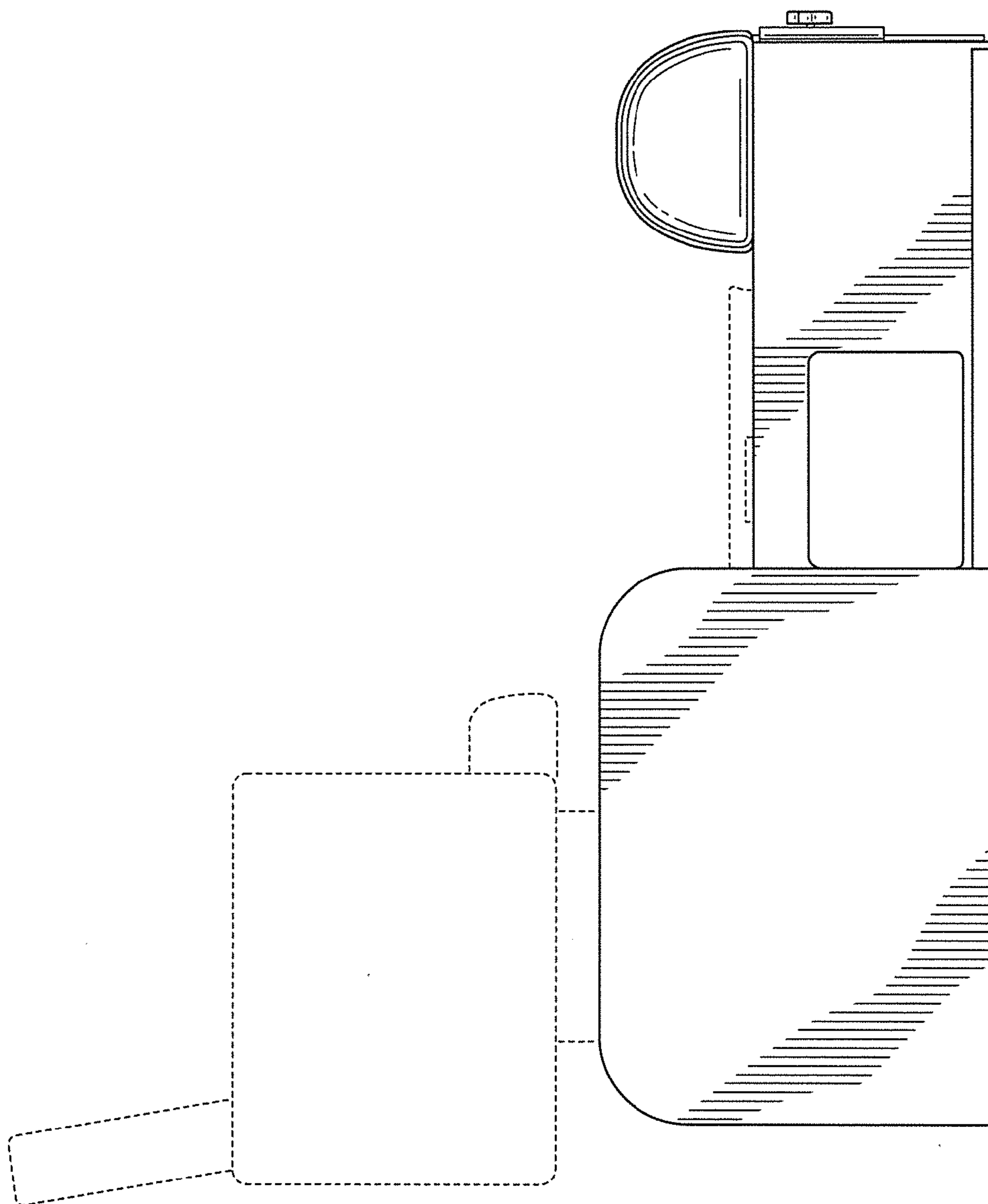
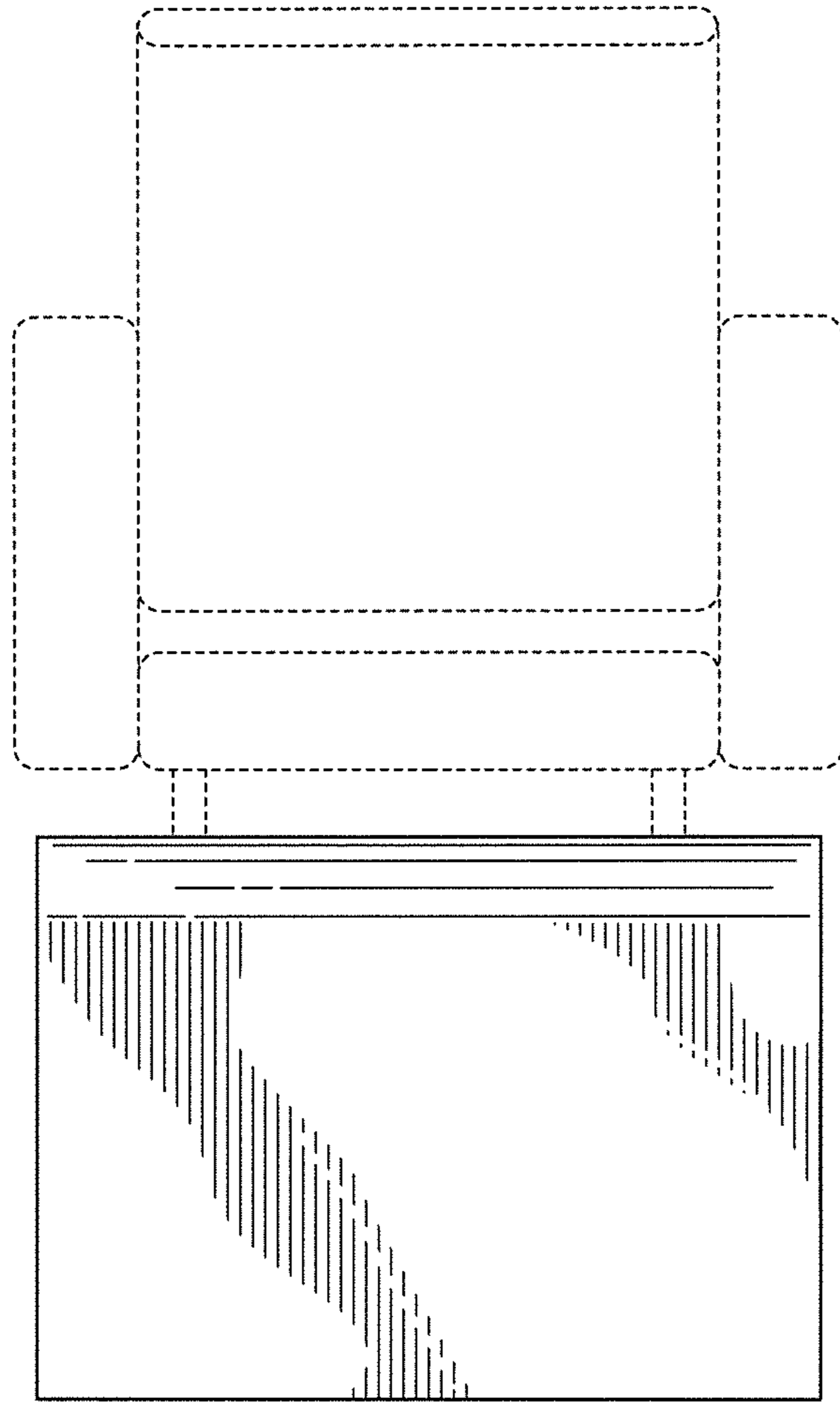


FIG. 10



**FIG. 11**

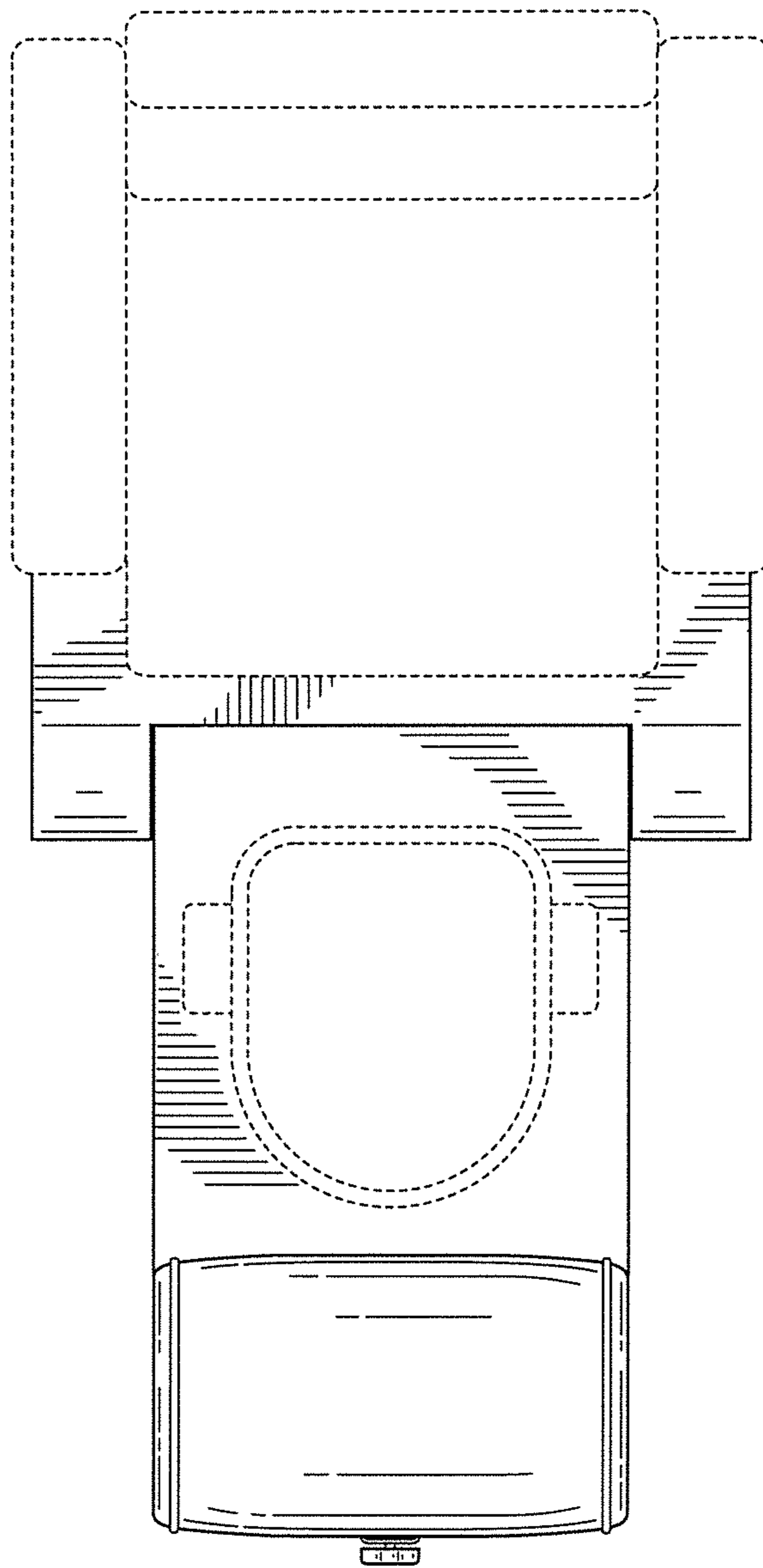


FIG. 12

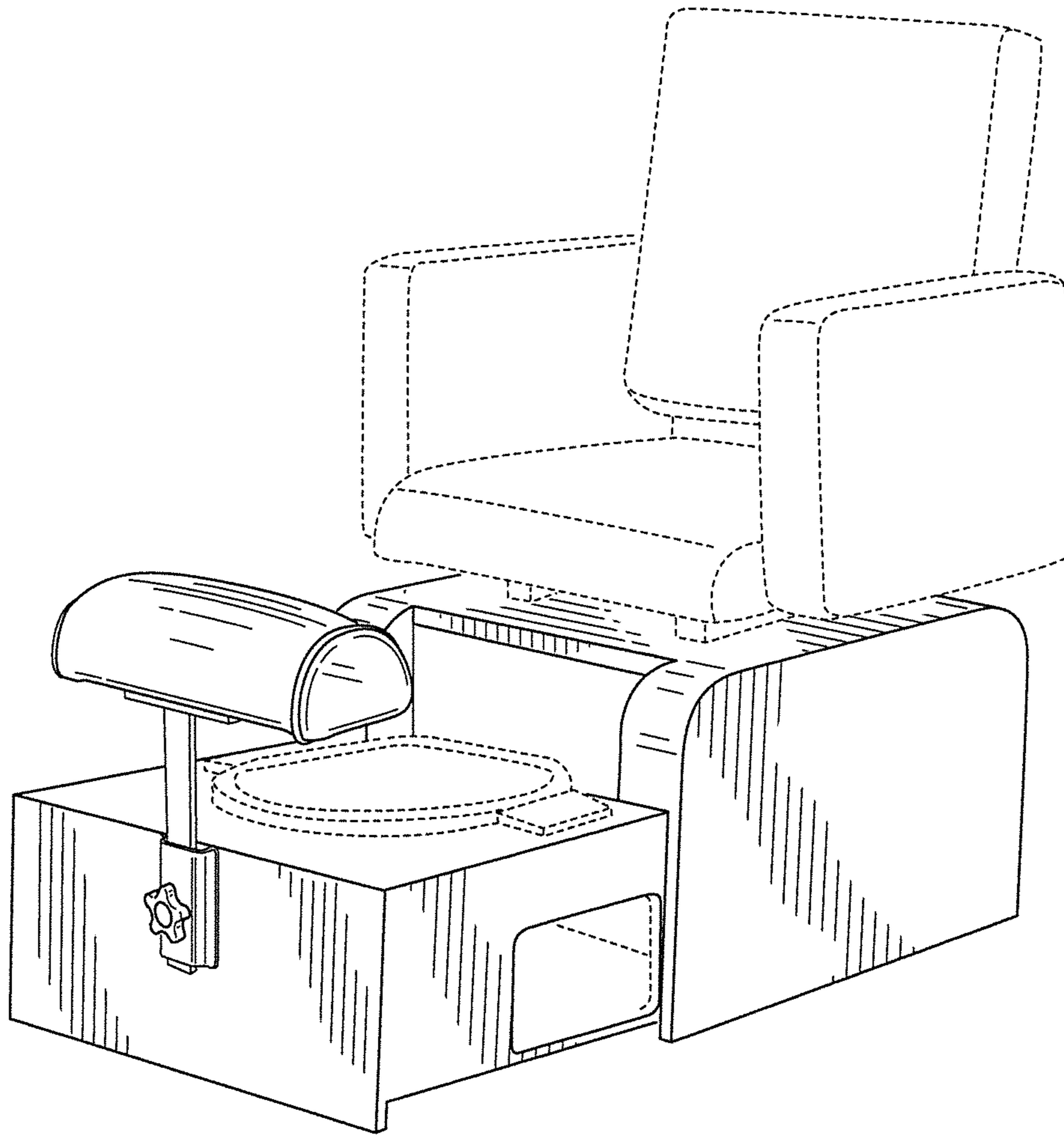


FIG. 13