



US00D721526S

(12) **United States Design Patent**  
**Bosman**

(10) **Patent No.:** **US D721,526 S**  
(45) **Date of Patent:** **\*\* Jan. 27, 2015**

- (54) **LOUNGE FURNITURE**
- (71) Applicant: **Krueger International, Inc.**, Green Bay, WI (US)
- (72) Inventor: **Scott A. Bosman**, Green Bay, WI (US)
- (73) Assignee: **Krueger International, Inc.**, Green Bay, WI (US)
- (\*\*) Term: **14 Years**
- (21) Appl. No.: **29/465,572**
- (22) Filed: **Aug. 29, 2013**

- D273,351 S 4/1984 Crockett
- D290,913 S 7/1987 Righter
- D297,080 S 8/1988 Hemberg
- D301,814 S 6/1989 Bush et al.
- D325,834 S 5/1992 Fredrick
- 5,425,313 A \* 6/1995 Rowan ..... 108/65
- 5,622,118 A \* 4/1997 Rowan ..... 108/65
- D388,634 S 1/1998 Mulligan et al.
- D442,073 S \* 5/2001 Lyndon ..... D8/367
- D444,313 S 7/2001 Hutton
- D486,015 S 2/2004 de Blois
- D493,966 S 8/2004 Rach
- D495,902 S 9/2004 Haberman et al.
- D498,064 S 11/2004 Gomez
- D498,598 S 11/2004 Schweikarth et al.
- D523,251 S \* 6/2006 Parpala ..... D6/352
- D535,483 S 1/2007 Hutton
- D554,874 S 11/2007 Jourdan
- D566,429 S 4/2008 Roberts
- D569,111 S 5/2008 Swanson
- D571,564 S 6/2008 Schmidt
- D572,946 S 7/2008 Bollen
- D576,805 S 9/2008 Natuzzi
- D578,782 S 10/2008 Cramer et al.

**Related U.S. Application Data**

- (62) Division of application No. 29/411,838, filed on Jan. 26, 2012, now Pat. No. Des. 691,386.
- (51) **LOC (10) Cl.** ..... **06-03**
- (52) **U.S. Cl.**  
USPC ..... **D6/692.3**
- (58) **Field of Classification Search**  
USPC ..... D6/677, 692, 692.3, 691.4, 349, 708.2;  
108/150, 153.1, 156, 161, 50.12;  
D7/558  
See application file for complete search history.

(Continued)

*Primary Examiner* — Janice Seeger

(74) *Attorney, Agent, or Firm* — Andrus Intellectual Property Law, LLP

(57) **CLAIM**

The ornamental design for lounge furniture, as shown and described.

**DESCRIPTION**

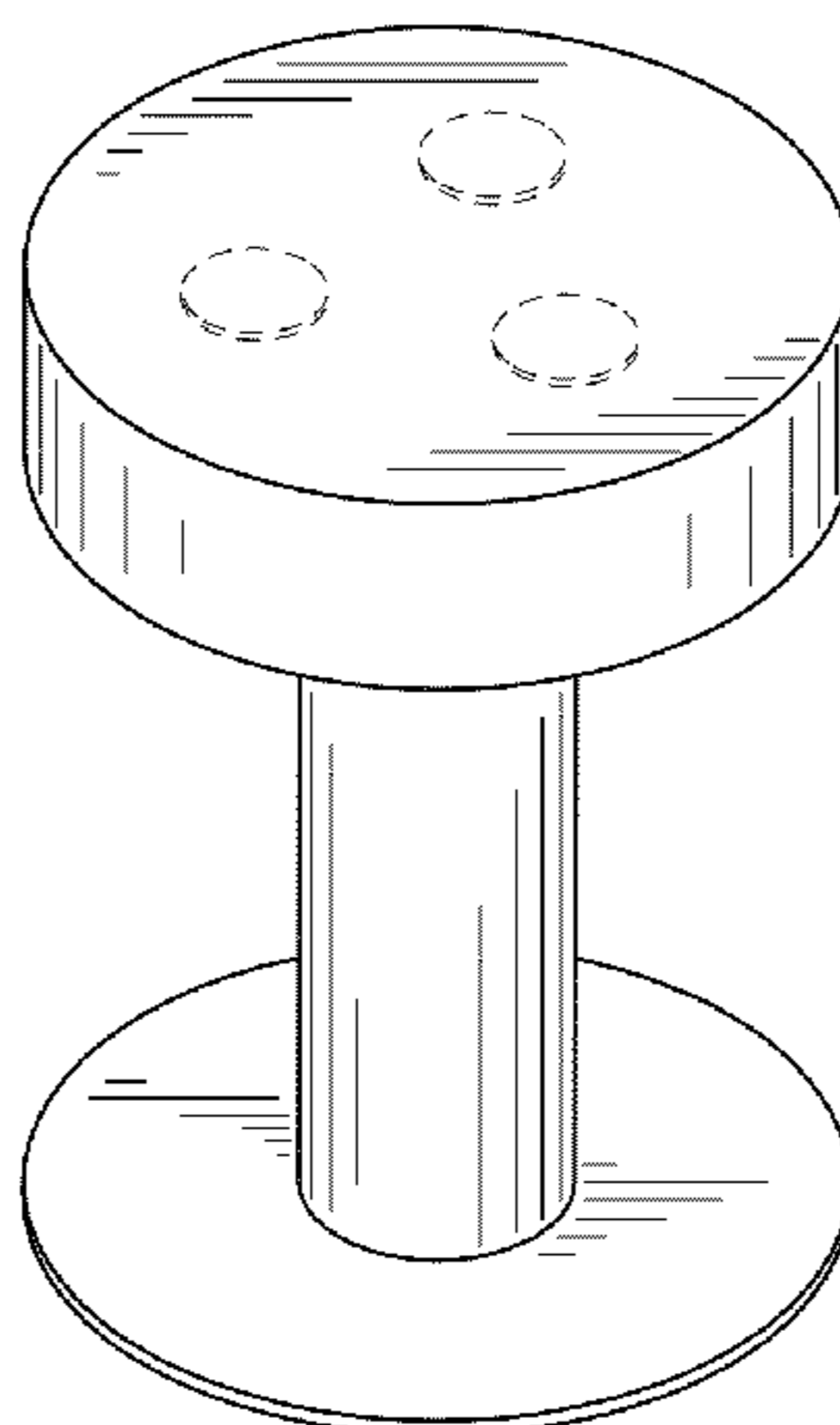
FIG. 1 is a perspective view of a piece of lounge furniture; FIG. 2 is a front view thereof; FIG. 3 is a left side view thereof, wherein the right side view is a mirror image; FIG. 4 is a top view thereof; and, FIG. 5 is a bottom view thereof. The broken lines are for environmental purposes only and form no part of the claimed design.

**1 Claim, 3 Drawing Sheets**

(56) **References Cited**

**U.S. PATENT DOCUMENTS**

- D86,132 S \* 2/1932 Kanter ..... D6/486
- D93,968 S \* 12/1934 Brower ..... D6/486
- D237,564 S \* 11/1975 Laylon ..... D6/486
- 3,940,181 A 2/1976 Cheek, Jr.
- D249,857 S 10/1978 Adkinson
- D251,639 S 4/1979 Colby
- D253,377 S 11/1979 Spound et al.
- D253,378 S 11/1979 Spound et al.
- D261,955 S 11/1981 Aronowitz et al.
- D264,162 S 5/1982 Azzalin
- D264,909 S 6/1982 Caldwell



# US D721,526 S

Page 2

---

(56)

## References Cited

### U.S. PATENT DOCUMENTS

D580,664 S 11/2008 Cramer et al.

D582,688 S 12/2008 Spear  
D586,131 S 2/2009 Cramer et al.  
D605,430 S 12/2009 Gharabegian

\* cited by examiner

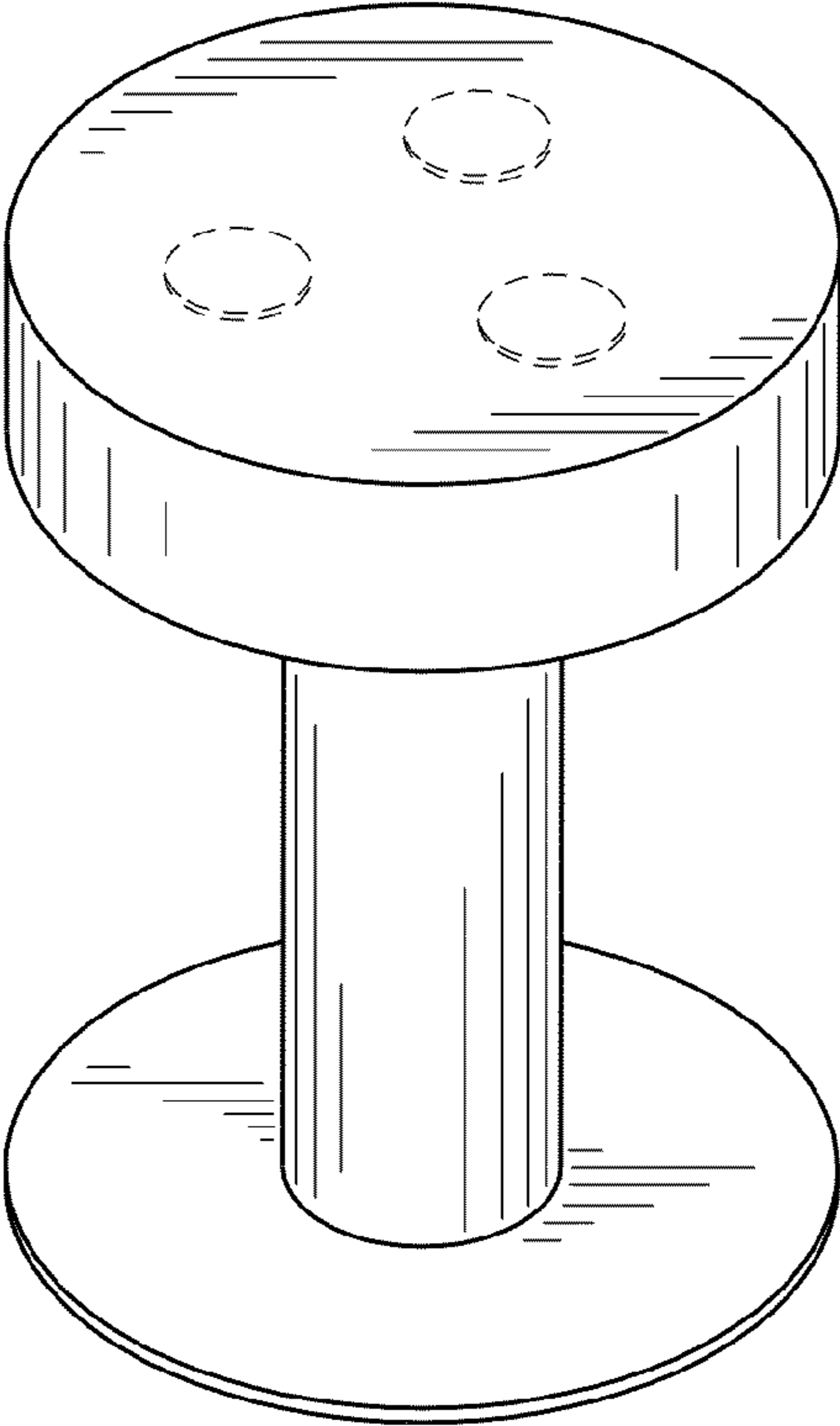


FIG. 1

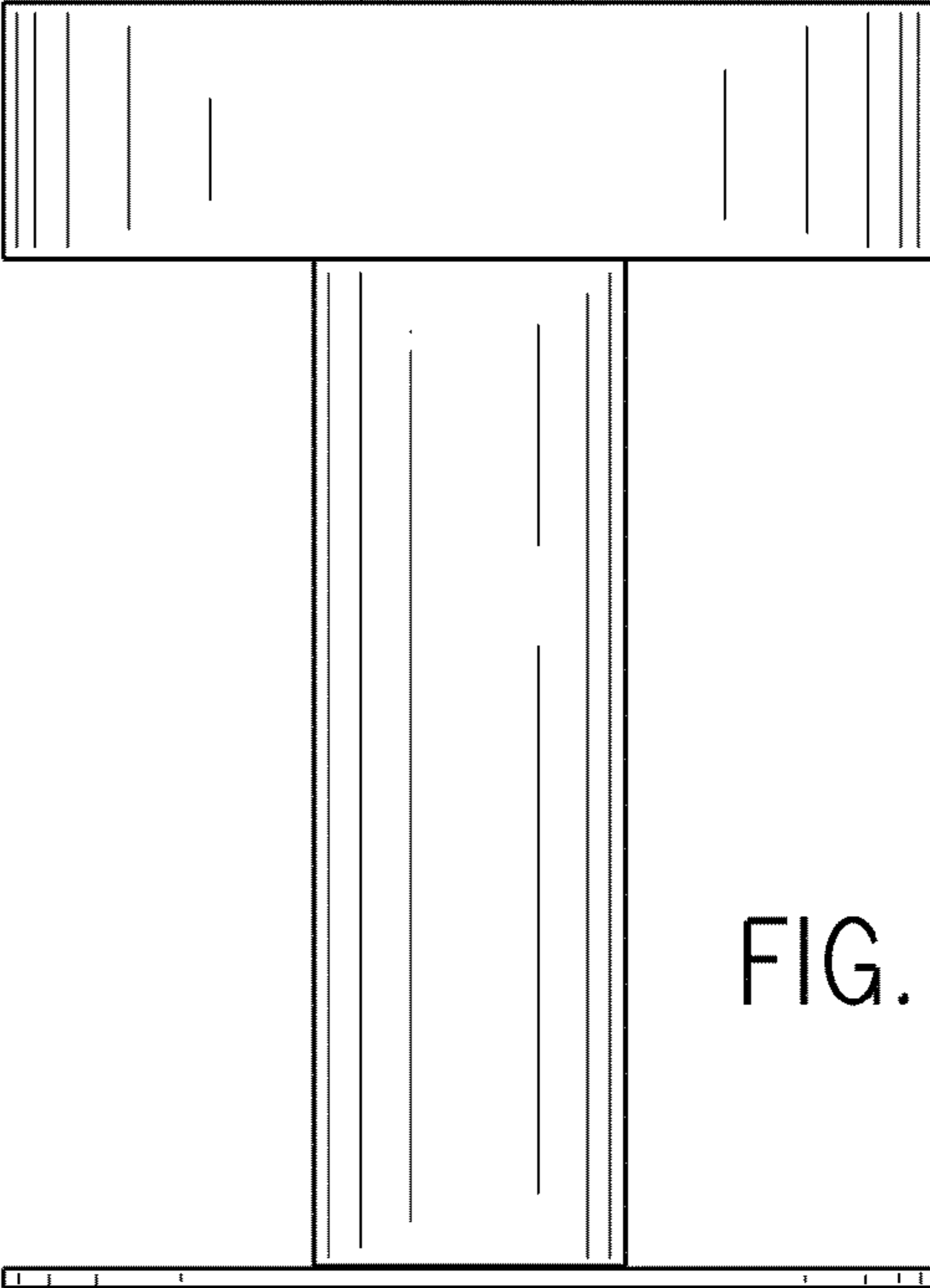


FIG. 2

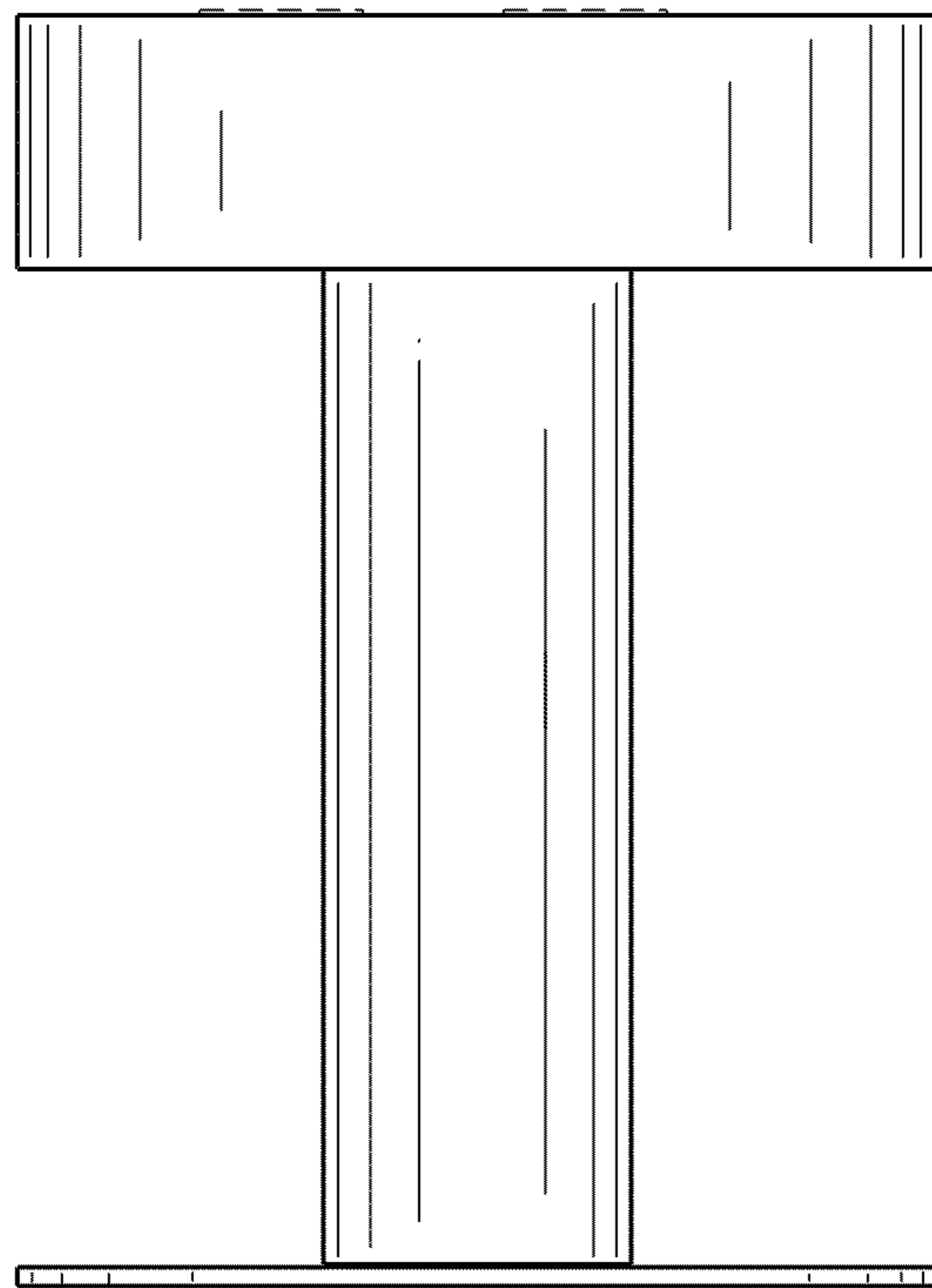


FIG. 3

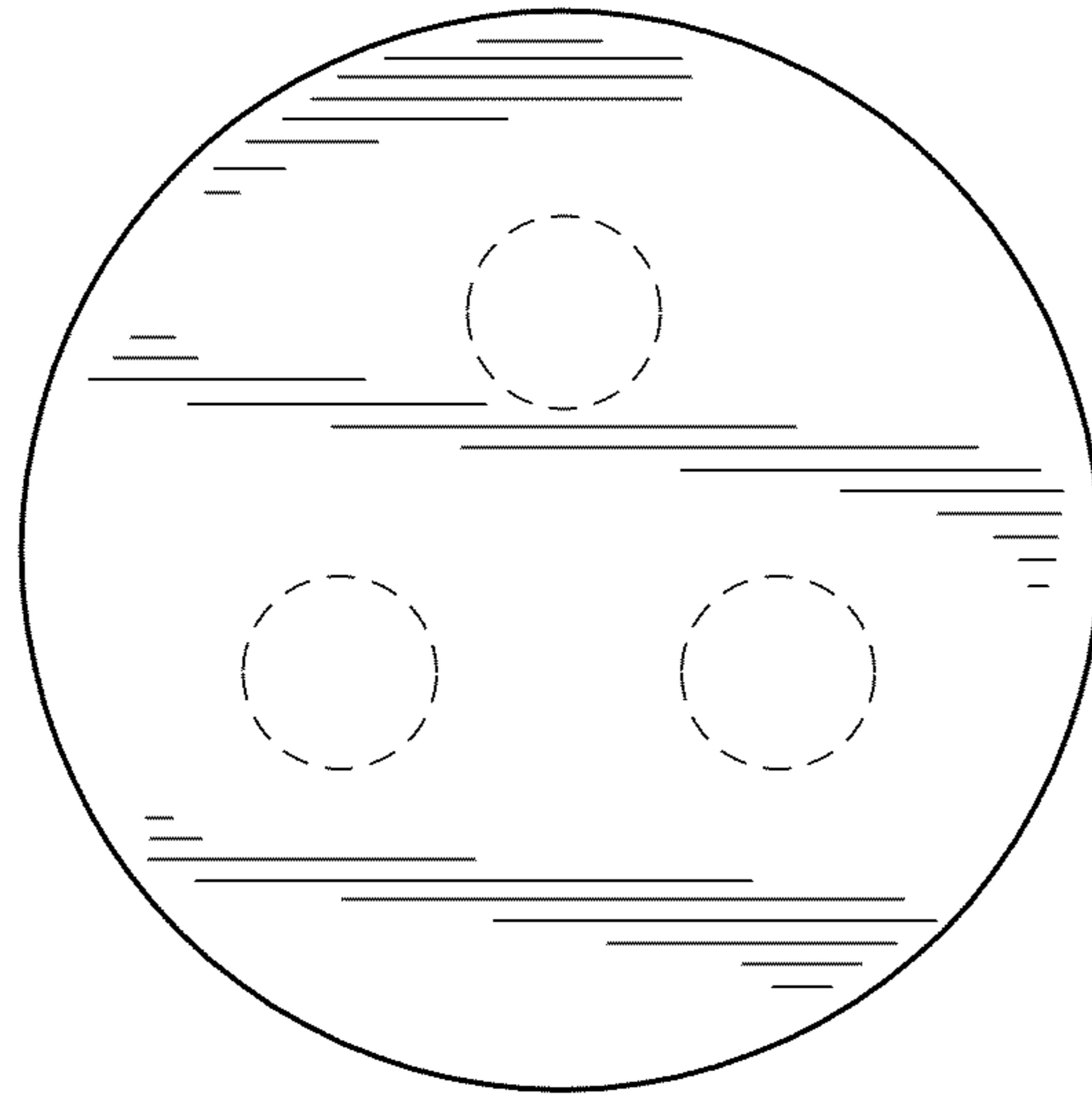


FIG. 4

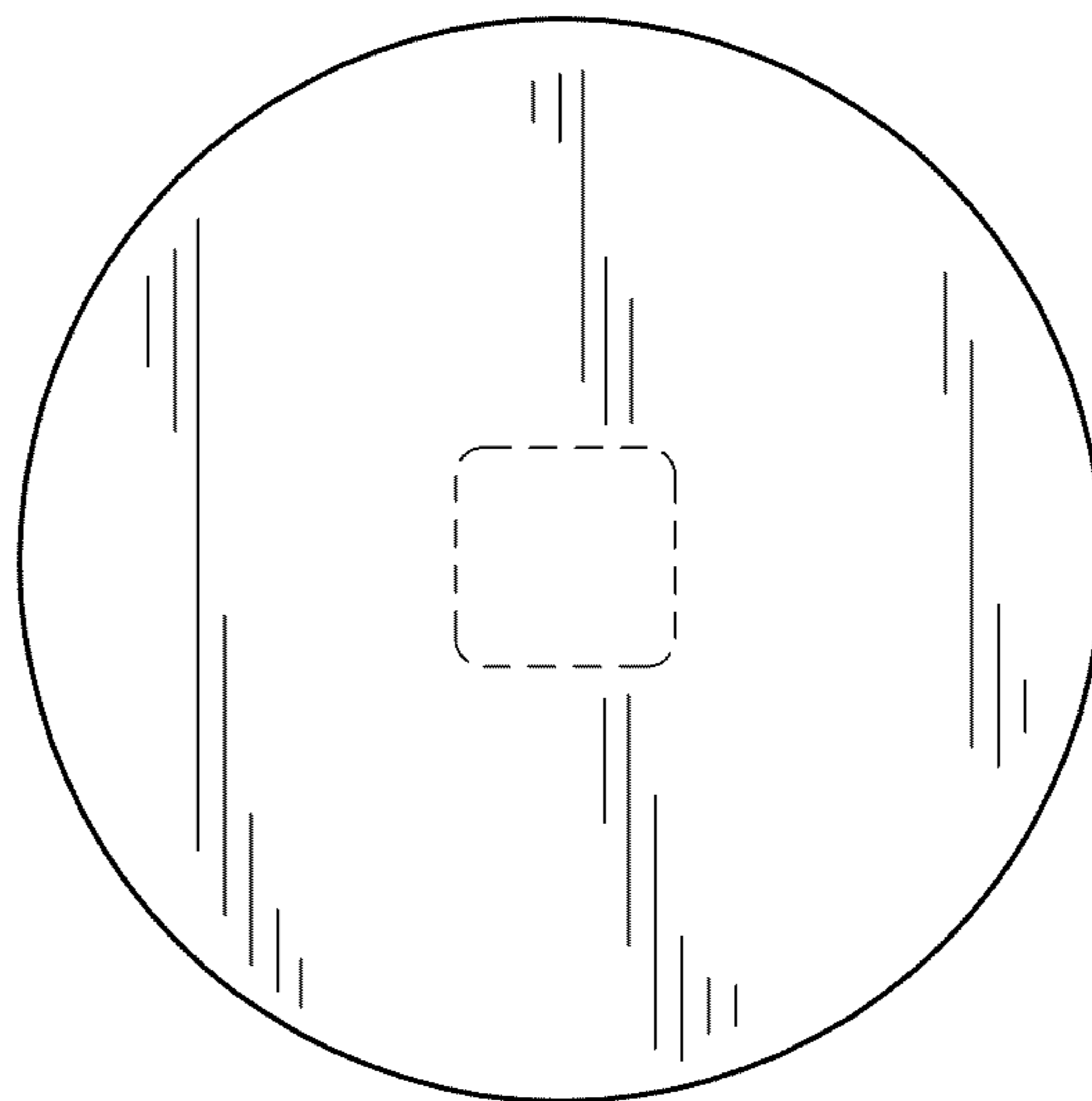


FIG. 5