



US00D721525S

(12) **United States Design Patent**
Huang et al.

(10) **Patent No.:** **US D721,525 S**
(45) **Date of Patent:** **** Jan. 27, 2015**

(54) **DESK**

(71) Applicant: **Target Brands, Inc.**, Minneapolis, MN (US)

(72) Inventors: **Daiying Huang**, Medina, MN (US);
Joshua A. Hughes, Delano, MN (US);
Joel T. Bodkin, Minneapolis, MN (US)

(73) Assignee: **Target Brands, Inc.**, Minneapolis, MN (US)

(**) Term: **14 Years**

(21) Appl. No.: **29/457,202**

(22) Filed: **Jun. 7, 2013**

(51) **LOC (10) Cl.** **06-06**

(52) **U.S. Cl.**
USPC **D6/691.9**

(58) **Field of Classification Search**
USPC D6/691, 691.8, 691.9, 663, 655, 656;
108/153.1, 156, 157.1, 161, 118;
248/188, 188.1, 164

See application file for complete search history.

(56) **References Cited**

U.S. PATENT DOCUMENTS

D137,684 S	*	4/1944	Kramer	D6/480
D145,948 S		11/1946	Larson		
D261,712 S	*	11/1981	Ferdinand et al.	D6/420
D332,364 S	*	1/1993	Bennett	D6/487
D451,302 S		12/2001	Chang		
D513,678 S		1/2006	Henriott et al.		
D517,835 S		3/2006	O'Hare		
D604,064 S		11/2009	Garbin		

OTHER PUBLICATIONS

Crate&Barrel, "Spotlight Ebony 48" Desk,"<http://www.crateandbarrel.com/spotlight-ebony-48-desk/s235507>, at least as early as Mar. 2013, 1 page.

World Market, "Campaign Desk," <http://www.worldmarket.com/product/campaign-desk.do>, at least as early as Mar. 2013, 1 page.

2Modern, "Blu Dot—Desk 51," http://www.2modern.com/modern-furniture/Desks/Blu-Dot-Desk-51?utm_medium=affiliate&utm_source=cj_affiliate&utm_campaign=cj_affiliate_sale&utm_term=11048464, at least as early as Mar. 2013, 1 page.

* cited by examiner

Primary Examiner — Janice Seeger

(74) *Attorney, Agent, or Firm* — Leanne Taveggia Farrell; Westman, Champlin & Koehler, P.A.

(57) **CLAIM**

The ornamental design for a desk, as shown and described.

DESCRIPTION

FIG. 1 is a perspective view of a desk showing our new design;

FIG. 2 is a front view thereof;

FIG. 3 is a back view thereof;

FIG. 4 is a right side view thereof;

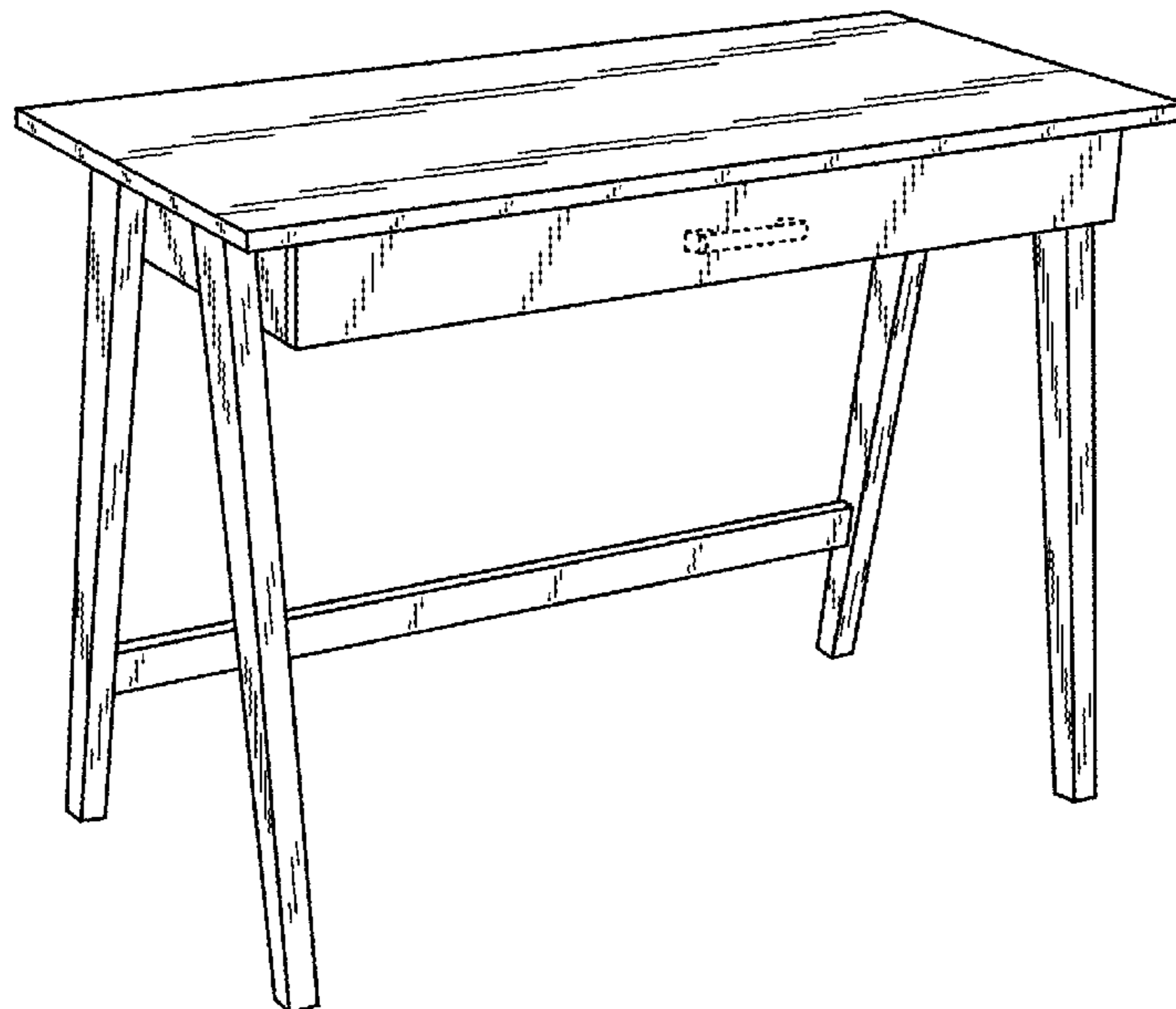
FIG. 5 is a left side view thereof;

FIG. 6 is a top view thereof; and,

FIG. 7 is a bottom view thereof.

The broken lines are for environmental purposes only and form no part of the claimed design.

1 Claim, 6 Drawing Sheets



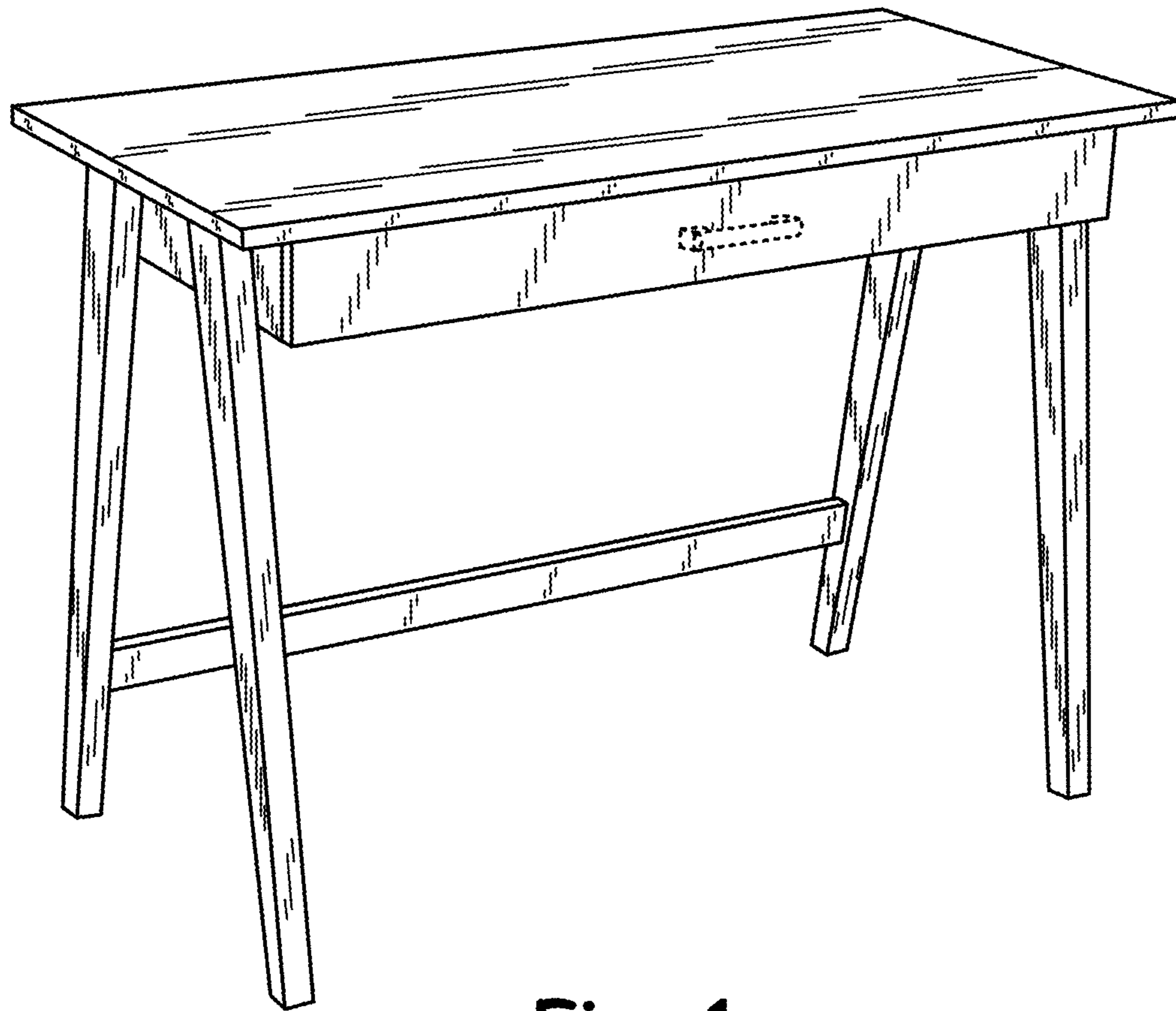


Fig. 1

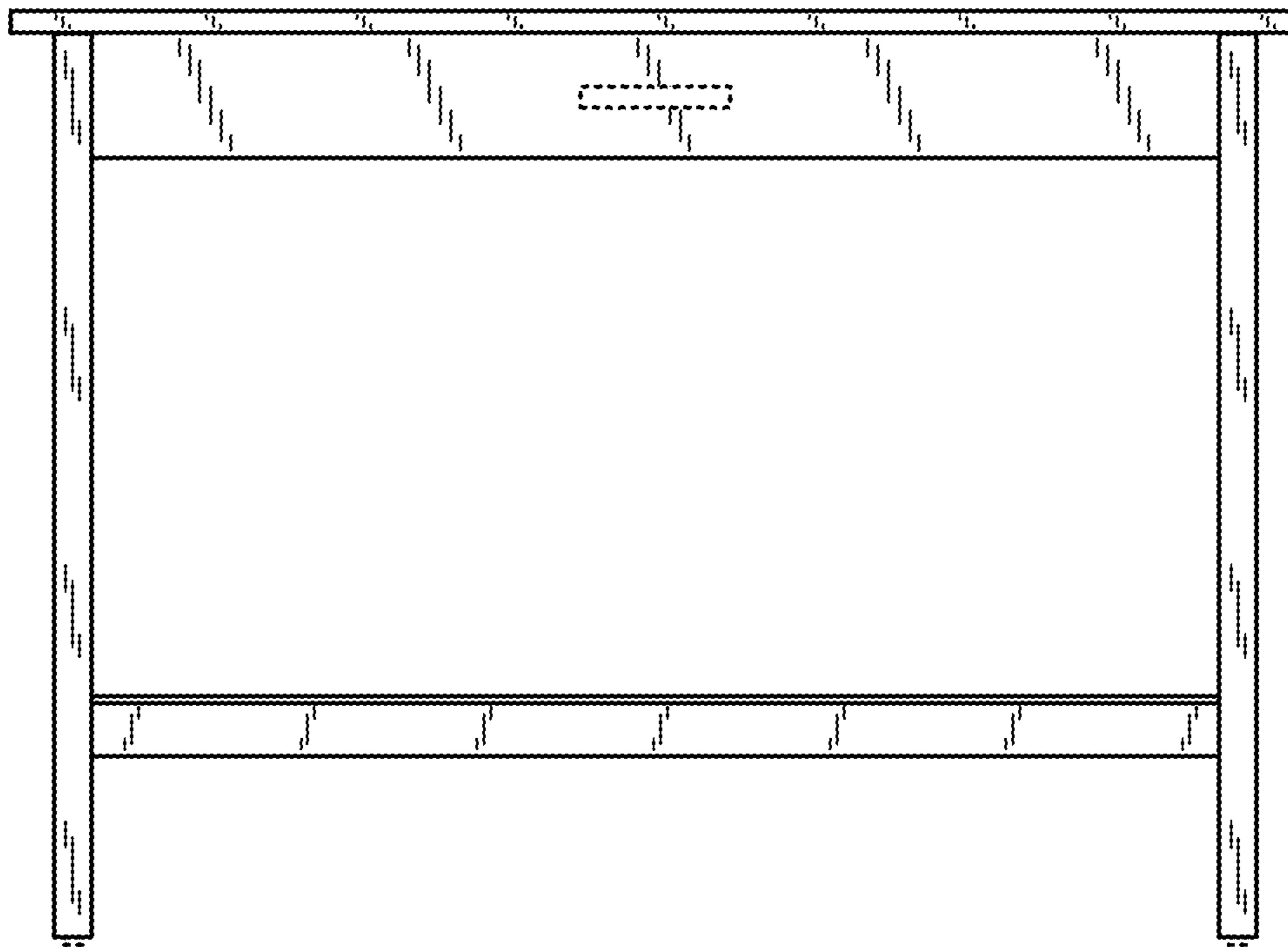


Fig. 2

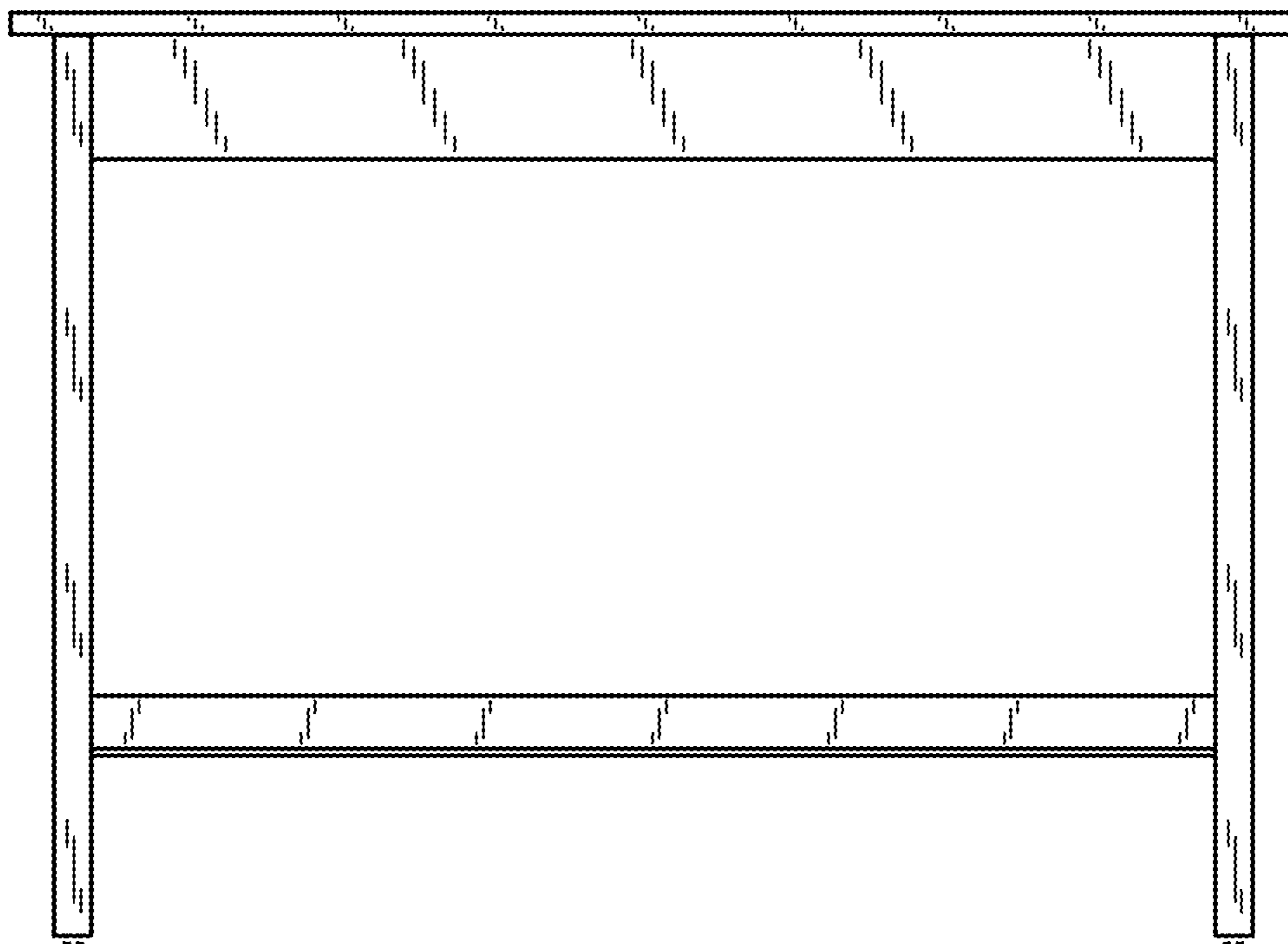


Fig. 3

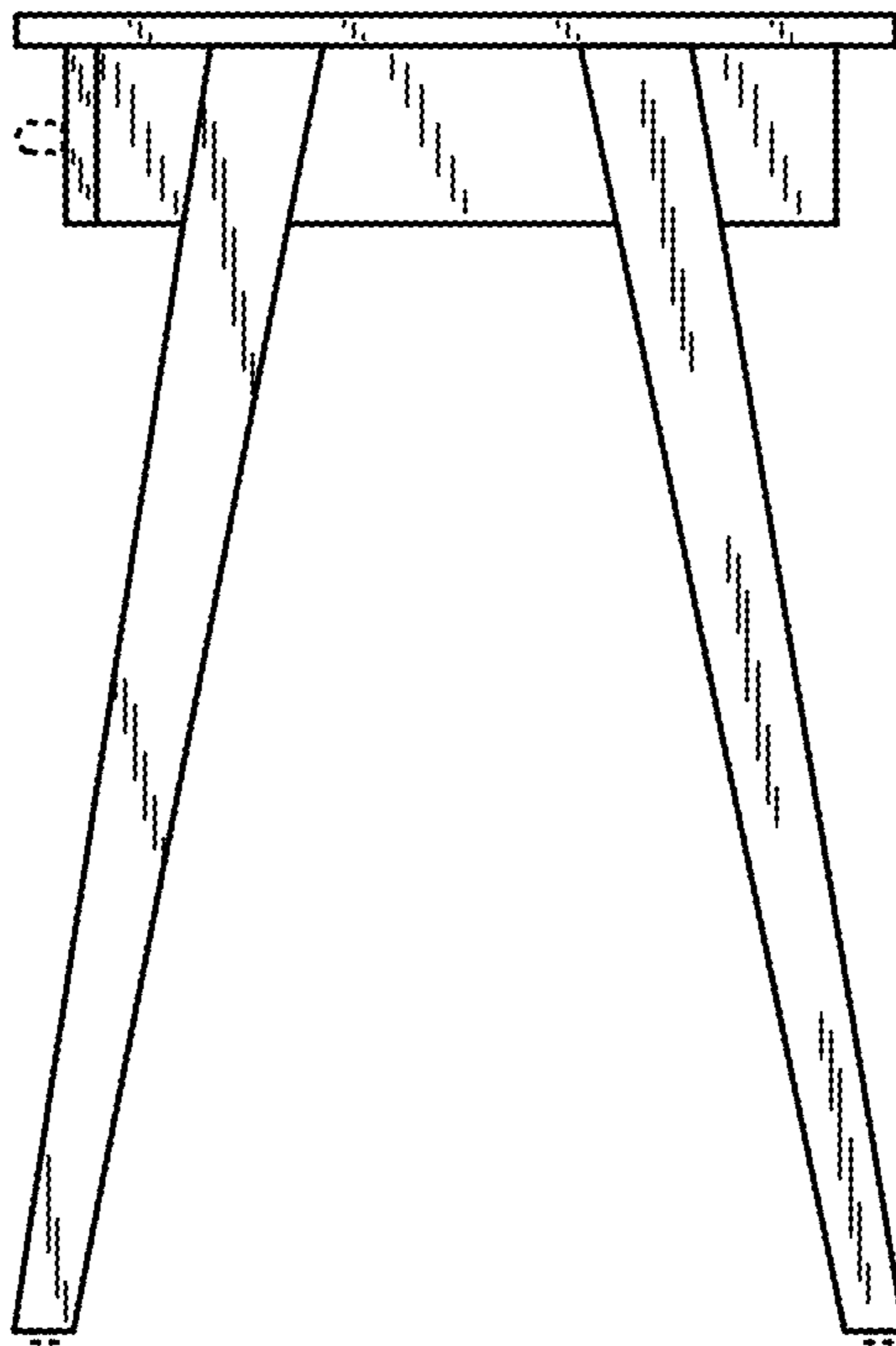


Fig. 4

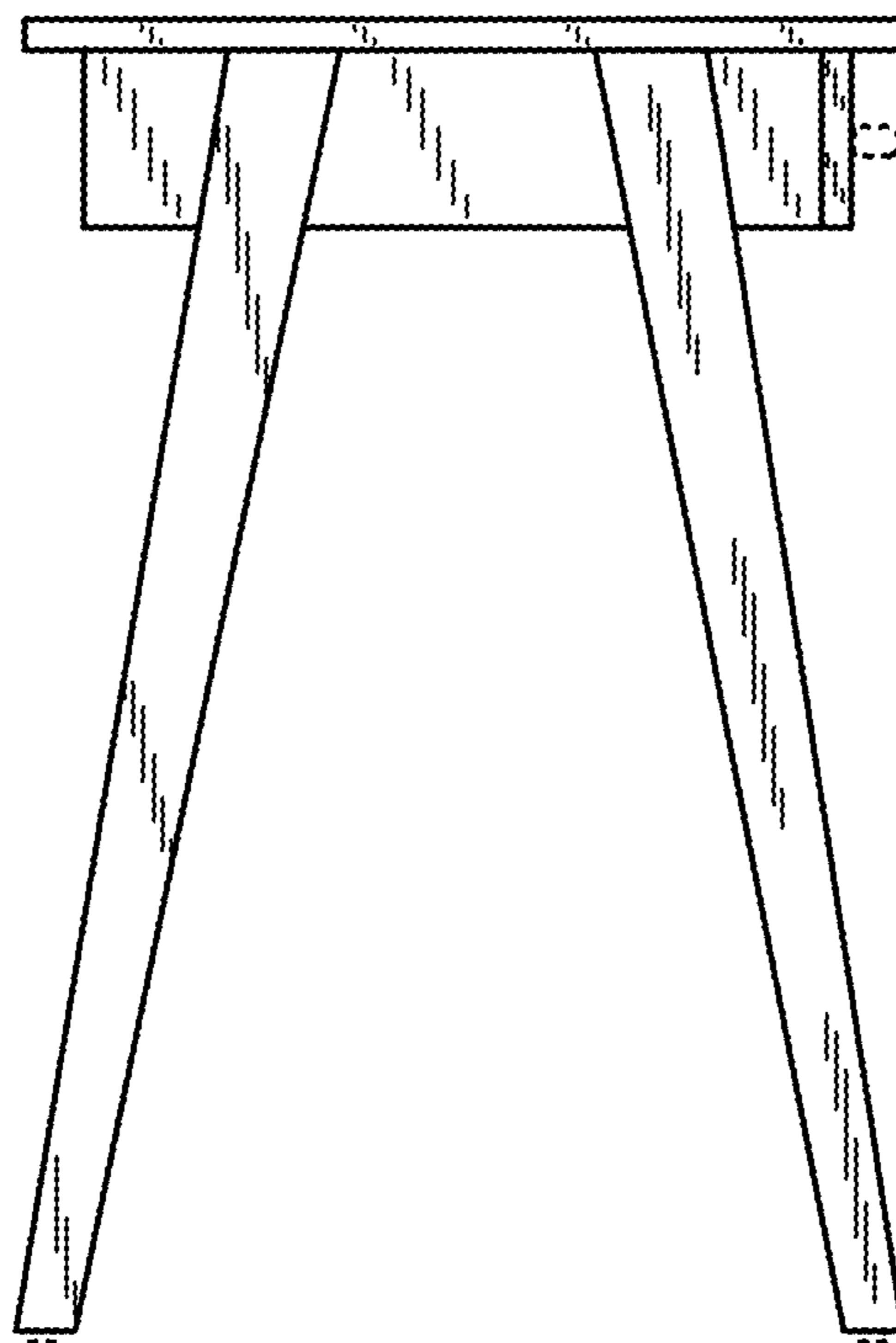


Fig. 5

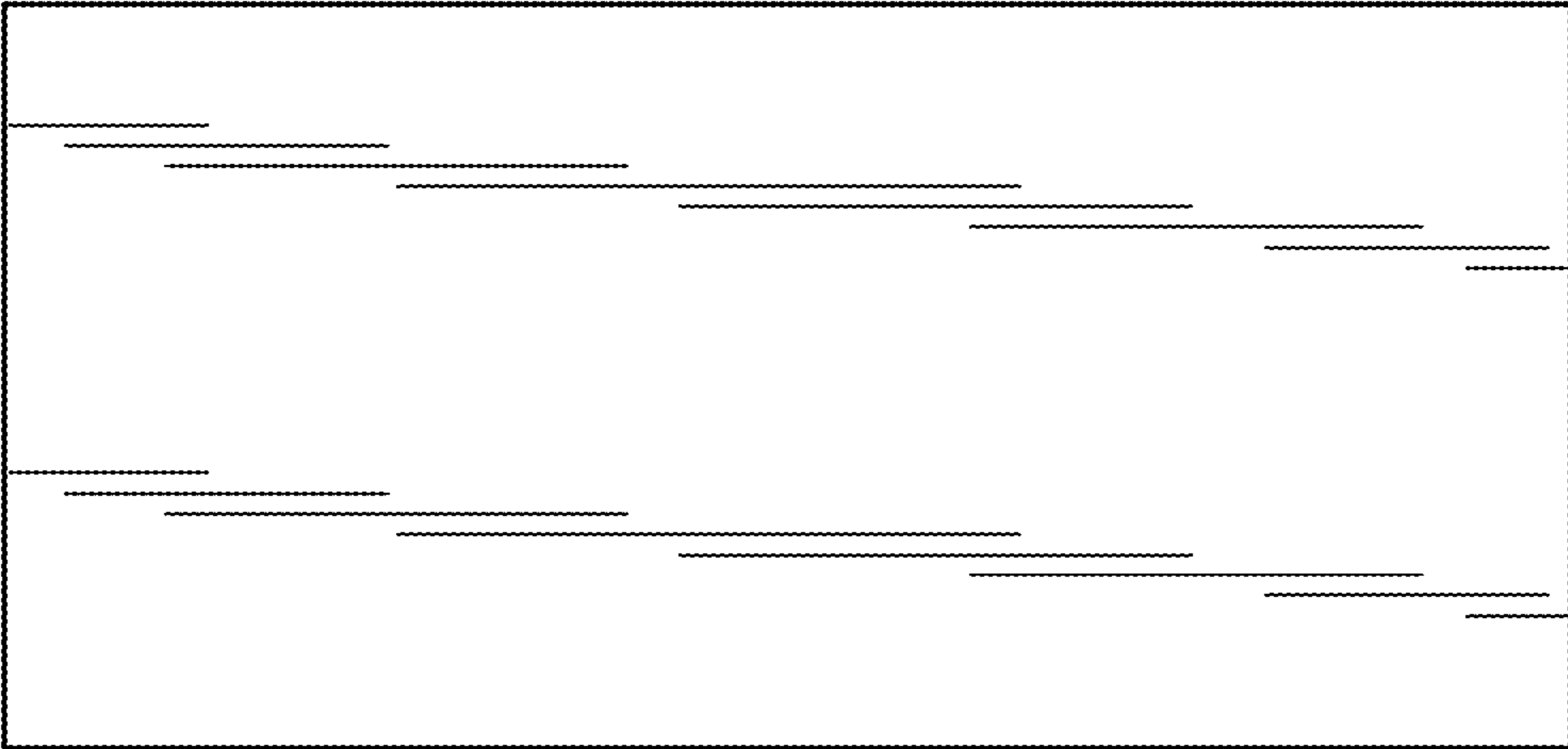


Fig. 6

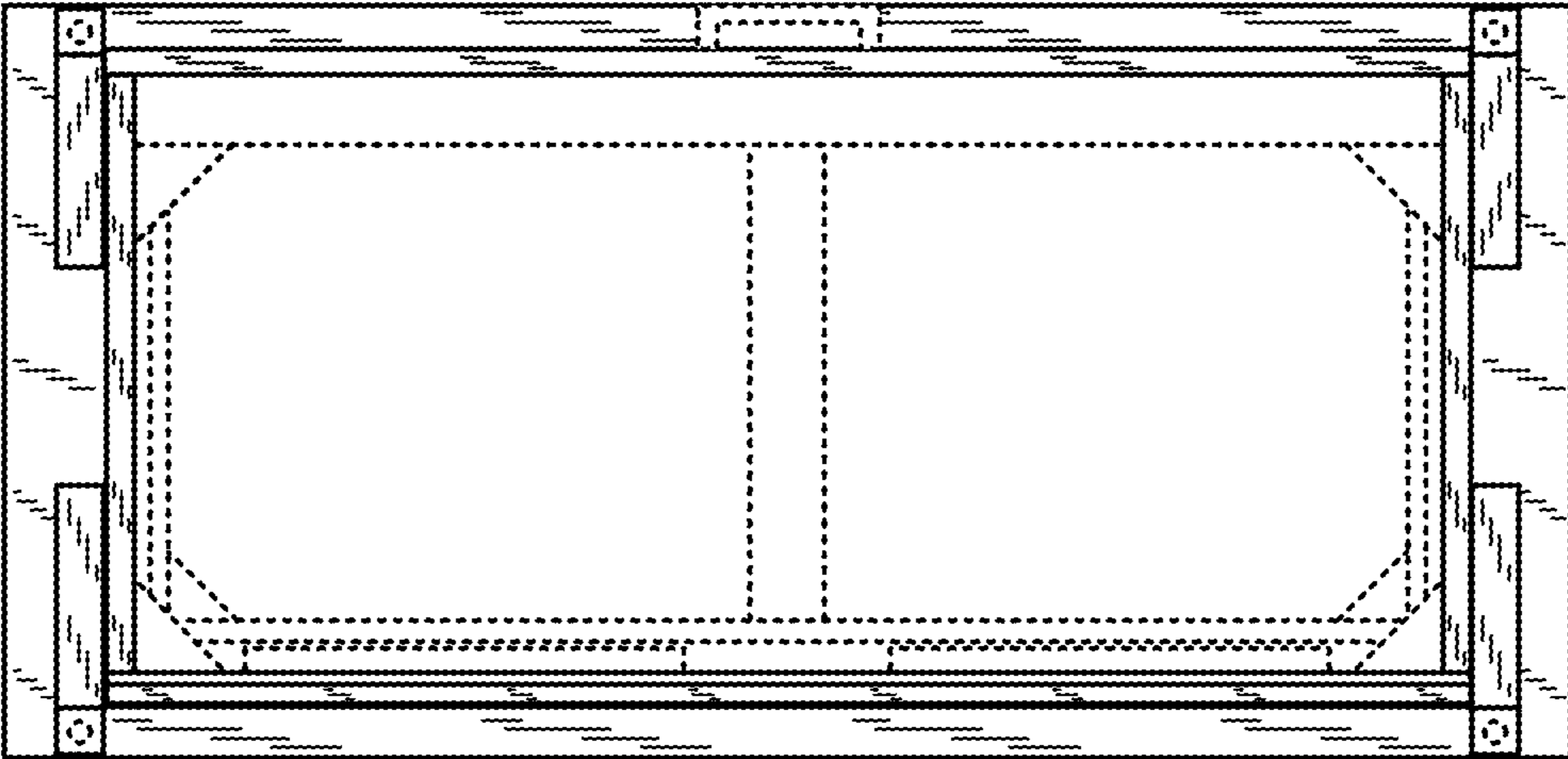


Fig. 7