



US00D721524S

(12) **United States Design Patent**
Theisen et al.

(10) **Patent No.:** **US D721,524 S**
(45) **Date of Patent:** **** Jan. 27, 2015**

- (54) **FIXTURE**
- (71) Applicant: **Target Brands, Inc.**, Minneapolis, MN (US)
- (72) Inventors: **Jennifer A. Theisen**, Crystal, MN (US);
Erin L. Zobel, Minneapolis, MN (US);
William Y. Stafford, Minnetrista, MN (US)
- (73) Assignee: **Target Brands, Inc.**, Minneapolis, MN (US)

D410,288 S	5/1999	Kleihues	
D434,924 S *	12/2000	Jermain	D6/671
6,250,546 B1	6/2001	Karsten et al.	
D446,407 S *	8/2001	Melillo	D6/671.1
6,318,566 B1	11/2001	Davis	
D562,584 S	2/2008	Mauleon et al.	
7,374,258 B2	5/2008	Bowron	
D576,426 S	9/2008	Yuen-Schat et al.	
D583,166 S *	12/2008	Hynes	D6/661
D632,506 S *	2/2011	Perc	D6/671
D664,791 S	8/2012	Voron et al.	
8,444,235 B2	5/2013	Gmerek et al.	
2005/0168114 A1	8/2005	Zinn	

(Continued)

(**) Term: **14 Years**

OTHER PUBLICATIONS

(21) Appl. No.: **29/461,433**

Boots Consultant Stations for Inline, 14 pages, Jun. 25, 2007.

(22) Filed: **Jul. 23, 2013**

Primary Examiner — Mimoso De

(51) **LOC (10) Cl.** **06-04**

(74) *Attorney, Agent, or Firm* — Leanne Taveggia Farrell; Westman, Champlin & Koehler, P.A.

(52) **U.S. Cl.**

(57) **CLAIM**

USPC **D6/671**

The ornamental design for a fixture, as shown and described.

(58) **Field of Classification Search**

DESCRIPTION

CPC A47F 3/00; A47F 3/005; A47B 17/04;
A47B 67/005; A47B 47/03; A47B 67/04

USPC D6/661, 663, 671, 671.1, 671.2, 671.3,
D6/671.4; 312/114, 138.1, 204, 224,
312/257.1, 330.1

See application file for complete search history.

FIG. 1 is a perspective view of a fixture showing our new design;

FIG. 2 is a side view thereof, the opposite side being a mirror image;

FIG. 3 is a front view thereof;

FIG. 4 is a top view thereof;

FIG. 5 is a perspective view of a second embodiment thereof;

FIG. 6 is a side view of FIG. 5, the opposite side being a mirror image;

FIG. 7 is a front view of FIG. 5; and,

FIG. 8 is a top view of FIG. 5.

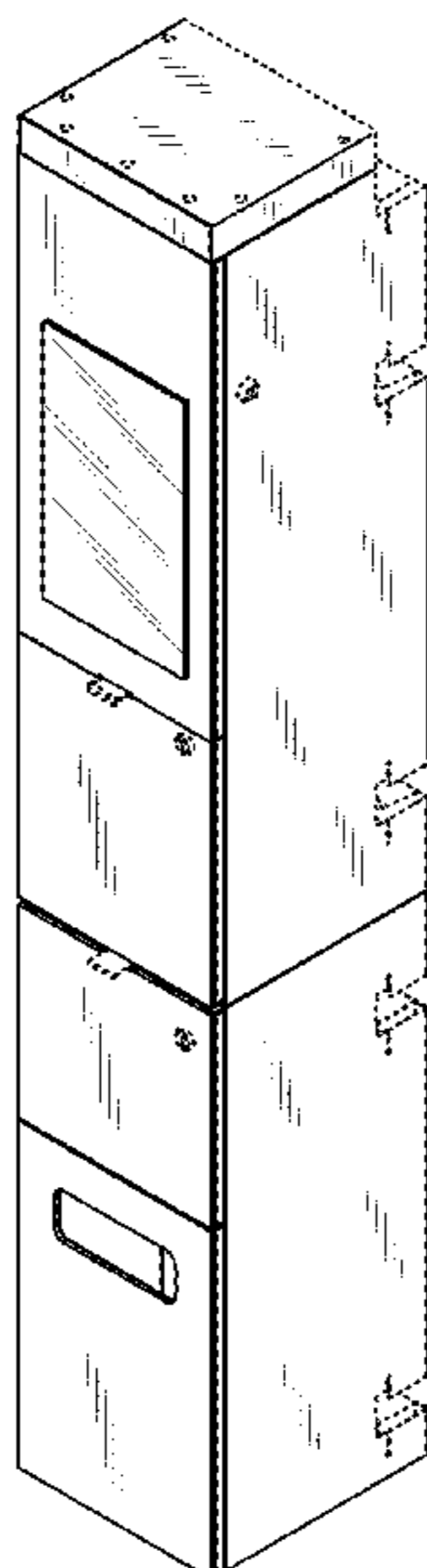
The broken lines shown in the drawings are included for purposes of illustrating portions of the fixture and form no part of the claimed design.

(56) **References Cited**

U.S. PATENT DOCUMENTS

3,297,374 A	1/1967	Radek	
3,405,985 A	10/1968	Higer	
3,997,220 A	12/1976	Mayer	
D265,957 S	8/1982	Wolf et al.	
4,941,714 A	7/1990	Seymour	
D336,573 S *	6/1993	Ball	D6/671
5,222,611 A	6/1993	Wood et al.	
5,392,934 A	2/1995	Fox	
D378,030 S *	2/1997	Palka	D6/671.1
D378,880 S *	4/1997	Palka	D6/671.1

1 Claim, 6 Drawing Sheets



(56)

References Cited

U.S. PATENT DOCUMENTS

2007/0200035 A1 8/2007 Chamberlain, III et al.

2011/0204009 A1 8/2011 Karan
2011/0303625 A1 12/2011 Freis et al.
2013/0117137 A1 5/2013 Klein et al.

* cited by examiner

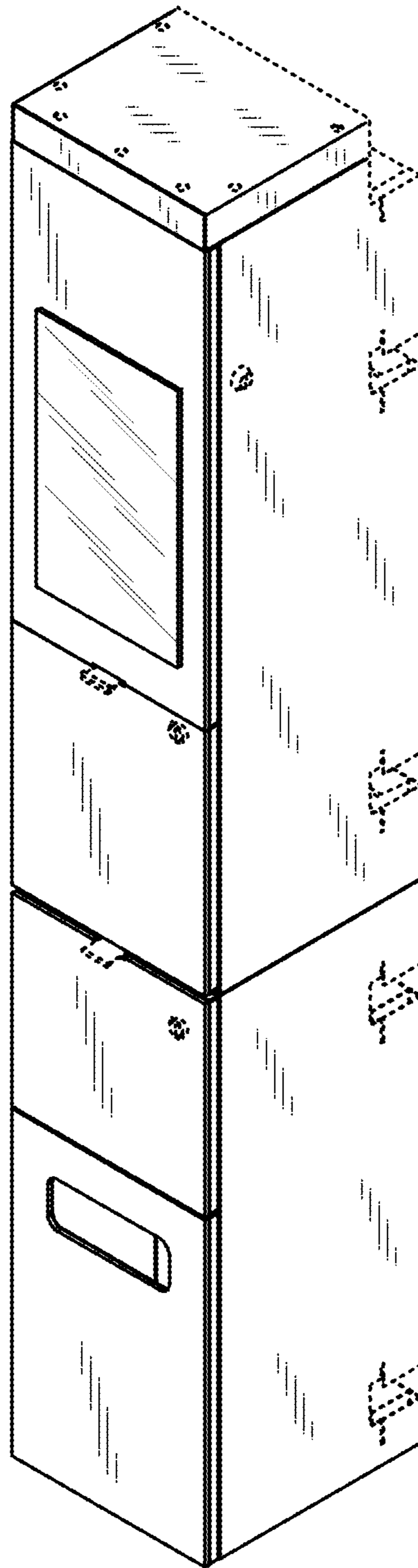


FIG. 1

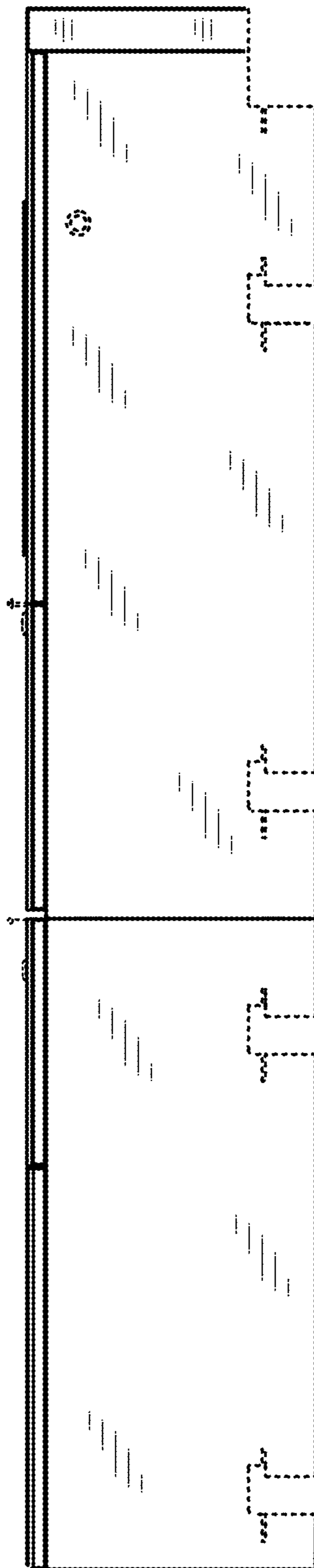


FIG. 2

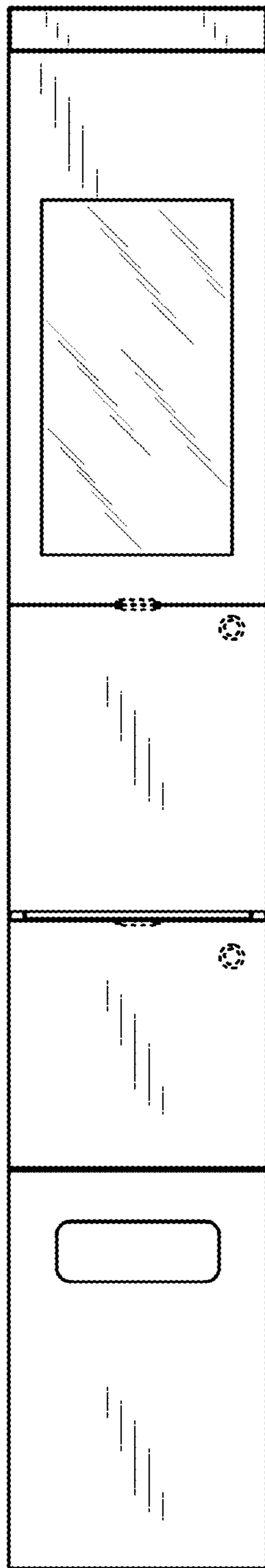


FIG. 3

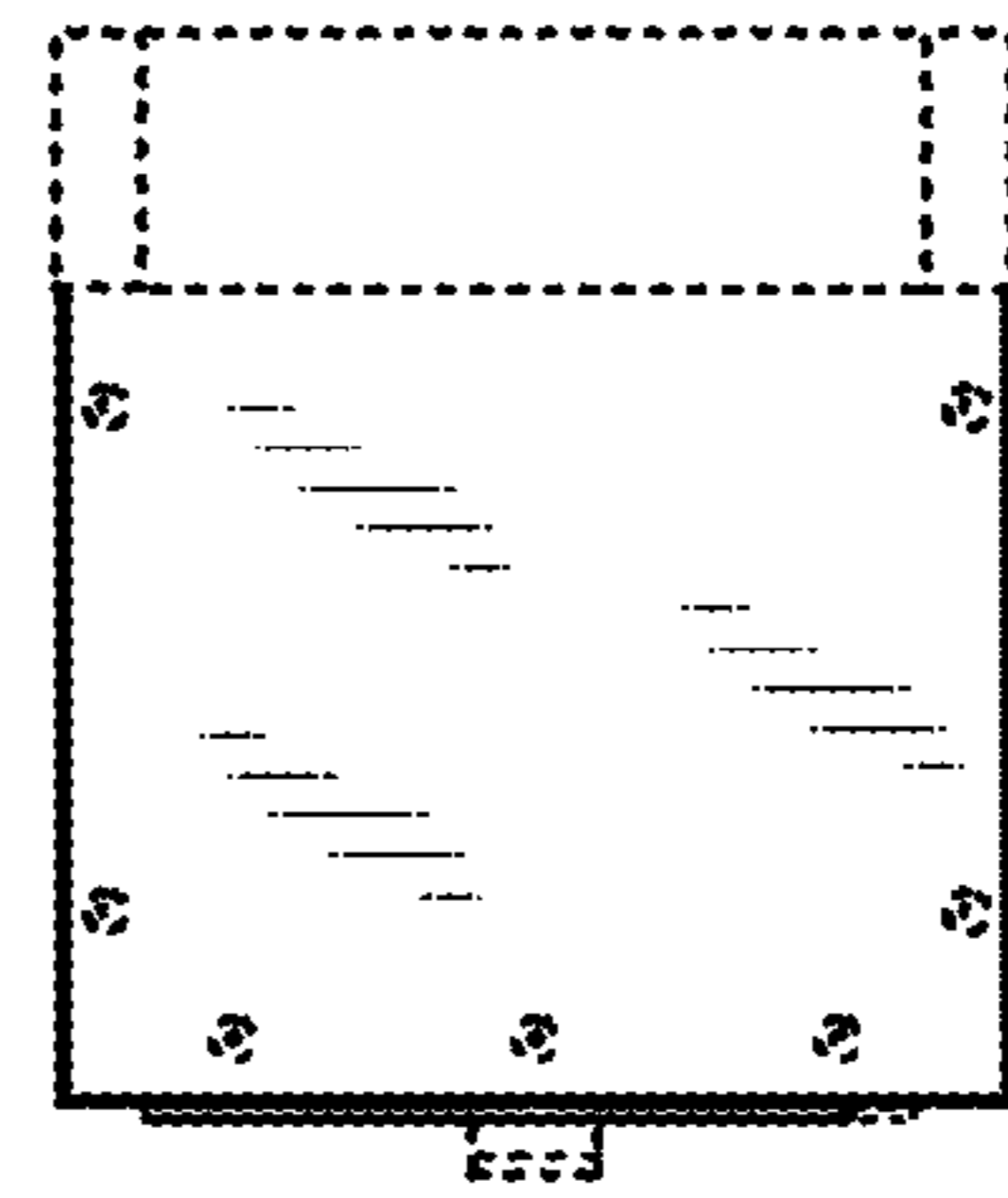


FIG. 4

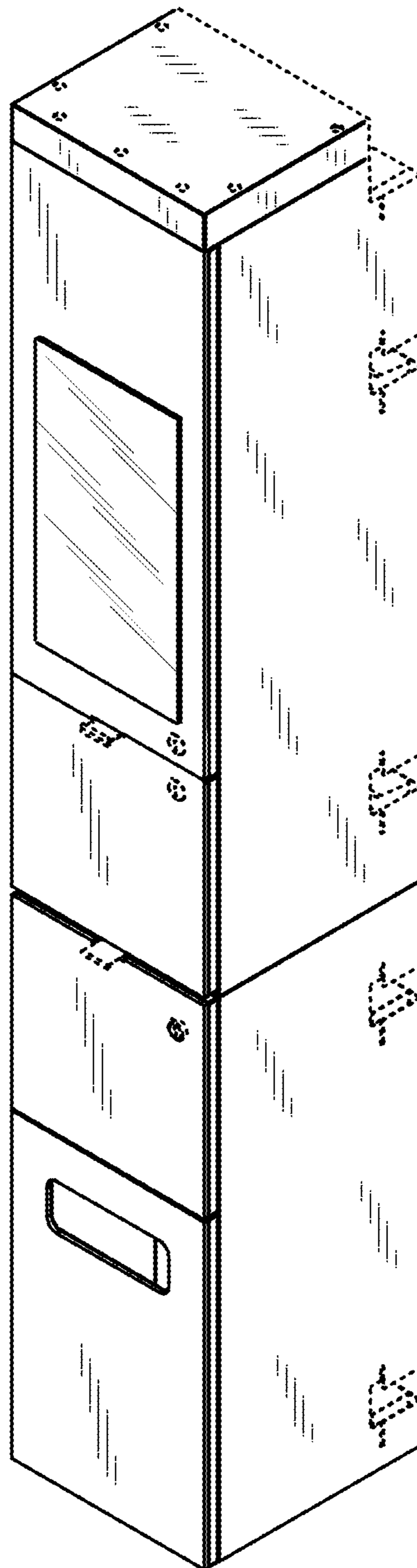


FIG. 5

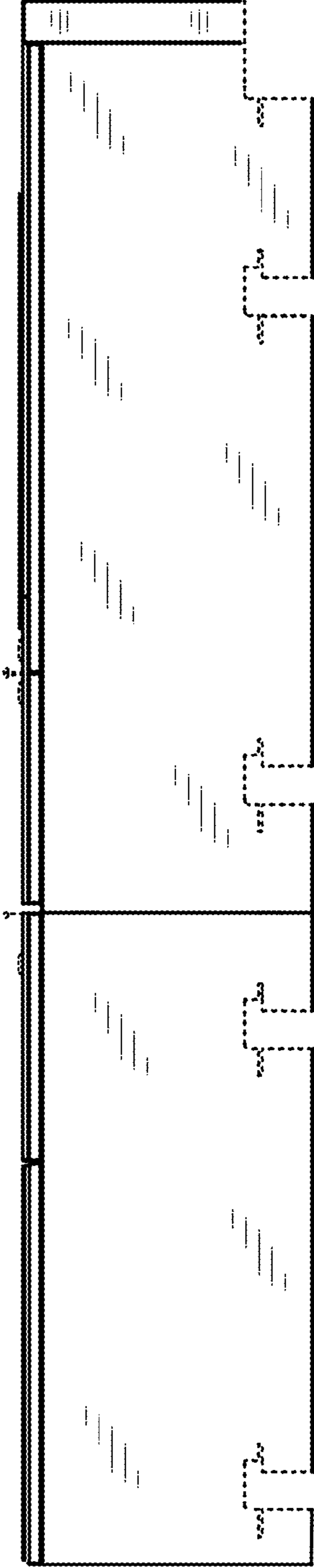


FIG. 6

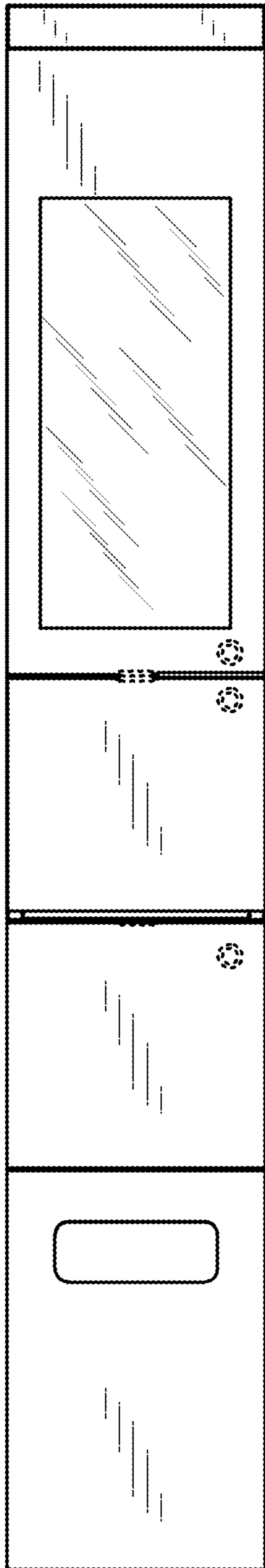


FIG. 7

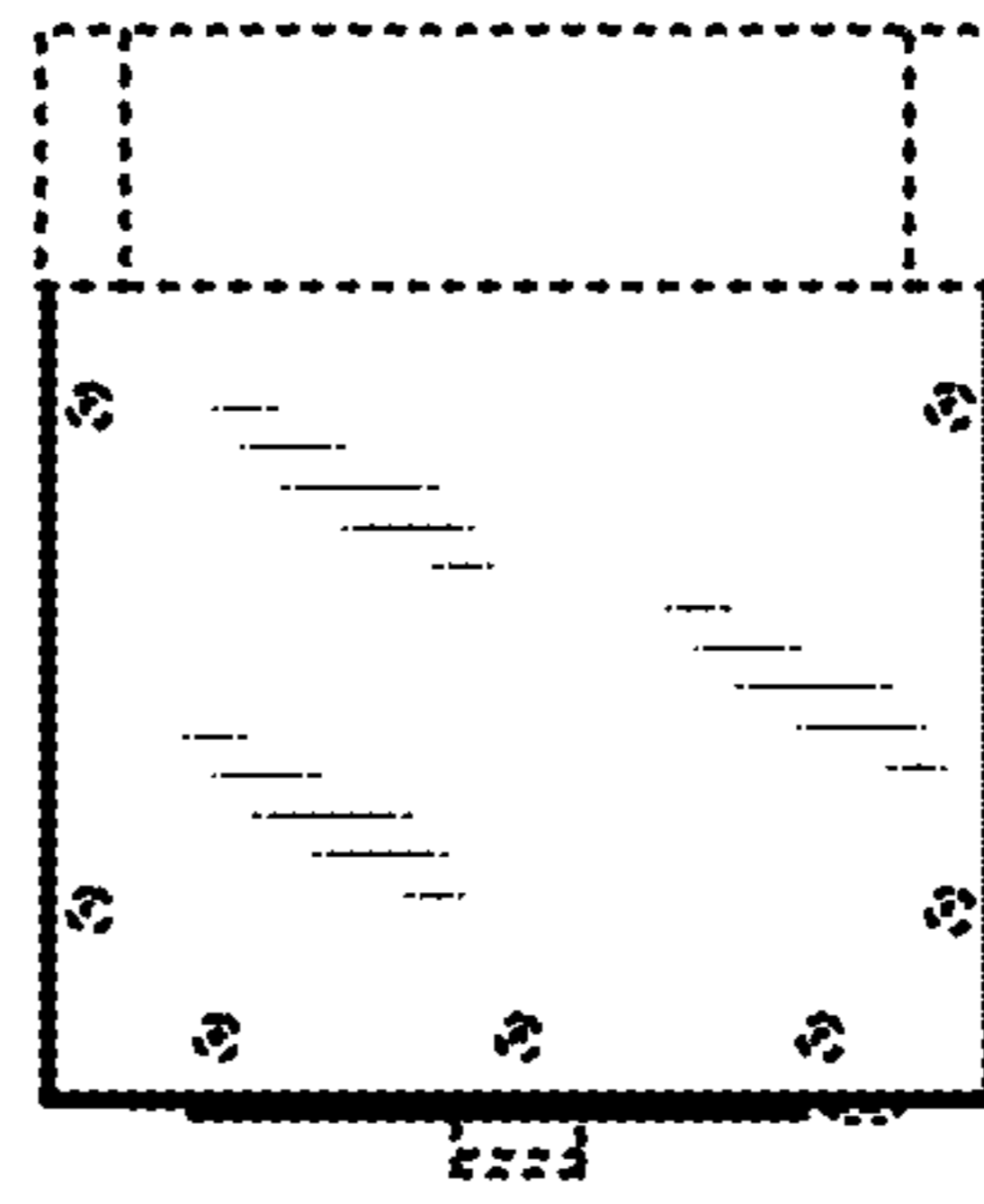


FIG. 8